



US00D812658S

(12) **United States Design Patent**  
**Williams et al.**

(10) **Patent No.:** **US D812,658 S**  
(45) **Date of Patent:** **\*\* Mar. 13, 2018**

(54) **FLUID APPLICATOR**

(71) Applicants: **Craig A. Williams**, Maumee, OH (US);  
**Charles J. Barnhart**, Toledo, OH (US);  
**Bradley A. Spraw**, Toledo, OH (US)

(72) Inventors: **Craig A. Williams**, Maumee, OH (US);  
**Charles J. Barnhart**, Toledo, OH (US);  
**Bradley A. Spraw**, Toledo, OH (US)

(73) Assignee: **Designetics, Inc.**, Holland, OH (US)

(\*\*) Term: **15 Years**

(21) Appl. No.: **29/560,490**

(22) Filed: **Apr. 7, 2016**

(51) **LOC (11) Cl.** ..... **15-09**

(52) **U.S. Cl.**  
USPC ..... **D15/138; D23/213**

(58) **Field of Classification Search**  
USPC ..... D15/138-143, 199; D23/213; D9/723,  
D9/724, 725, 434, 435, 499  
CPC ..... B05C 1/00; B05C 1/06; B05C 5/0254;  
B05C 17/00; B05C 17/002; B05C 1/0808;  
B05C 11/02; B05C 11/023; B05C  
11/1002; B05C 11/1034; B05C 13/00;  
B05C 13/02; B05C 17/00553; B05C  
17/00566; B05C 17/00576; B05C  
17/00583; B05C 17/00596; B05C 17/01;  
B05C 17/0116; B05C 17/0308; B05C  
17/0341; B05C 17/0357; B05C 17/12;  
B05C 1/02; B05C 1/027; B05C 1/04;  
B05C 3/00; B05C 5/0212; B05C 5/025;  
B05C 9/08

See application file for complete search history.

(56) **References Cited**

U.S. PATENT DOCUMENTS

4,030,341 A \* 6/1977 Sullivan ..... G01N 1/2813  
73/61.54  
5,193,928 A \* 3/1993 Balzer ..... B05C 17/002  
222/83

D688,953 S \* 9/2013 Korper ..... D28/7  
D745,583 S \* 12/2015 Arikan ..... D15/138  
D748,223 S \* 1/2016 Williams ..... D23/213  
D755,866 S \* 5/2016 Spraw ..... D15/138  
D758,531 S \* 6/2016 Williams ..... D23/213  
D762,752 S \* 8/2016 Mortimer ..... D15/138  
D772,314 S \* 11/2016 Williams ..... D15/138  
D781,940 S \* 3/2017 Ooba ..... D15/138

\* cited by examiner

*Primary Examiner* — Patricia A Palasik

(74) *Attorney, Agent, or Firm* — Donald K. Wedding

(57) **CLAIM**

The ornamental design for a fluid applicator, as shown and described.

**DESCRIPTION**

FIG. 1 is a perspective view of our ornamental design for a fluid applicator.

FIG. 2 is a top view of our design.

FIG. 3 is a left side plan view of our design.

FIG. 4 is a right side plan view of our design.

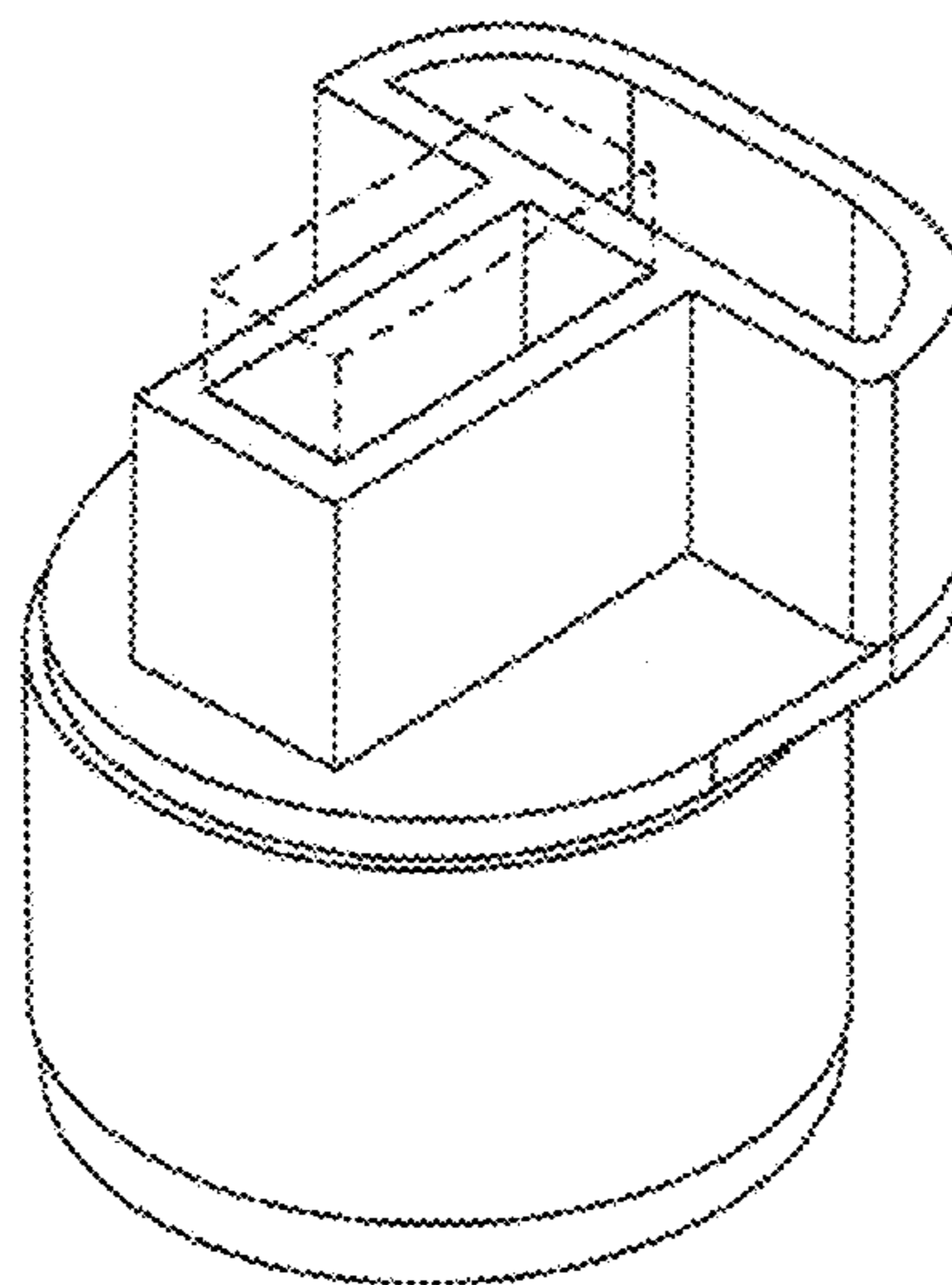
FIG. 5 is a front view of our design; and,

FIG. 6 is a back view of our design.

The applicator is open at the distal end straight through up to the proximal end. The rectangular pocket holds a porous media (shown in broken lines) through which a fluid is dispensed. The pocket with the radii acts as an offset guide for the porous media.

The broken lines in the drawings represent environmental structure only and form no part of the claimed design.

**1 Claim, 2 Drawing Sheets**



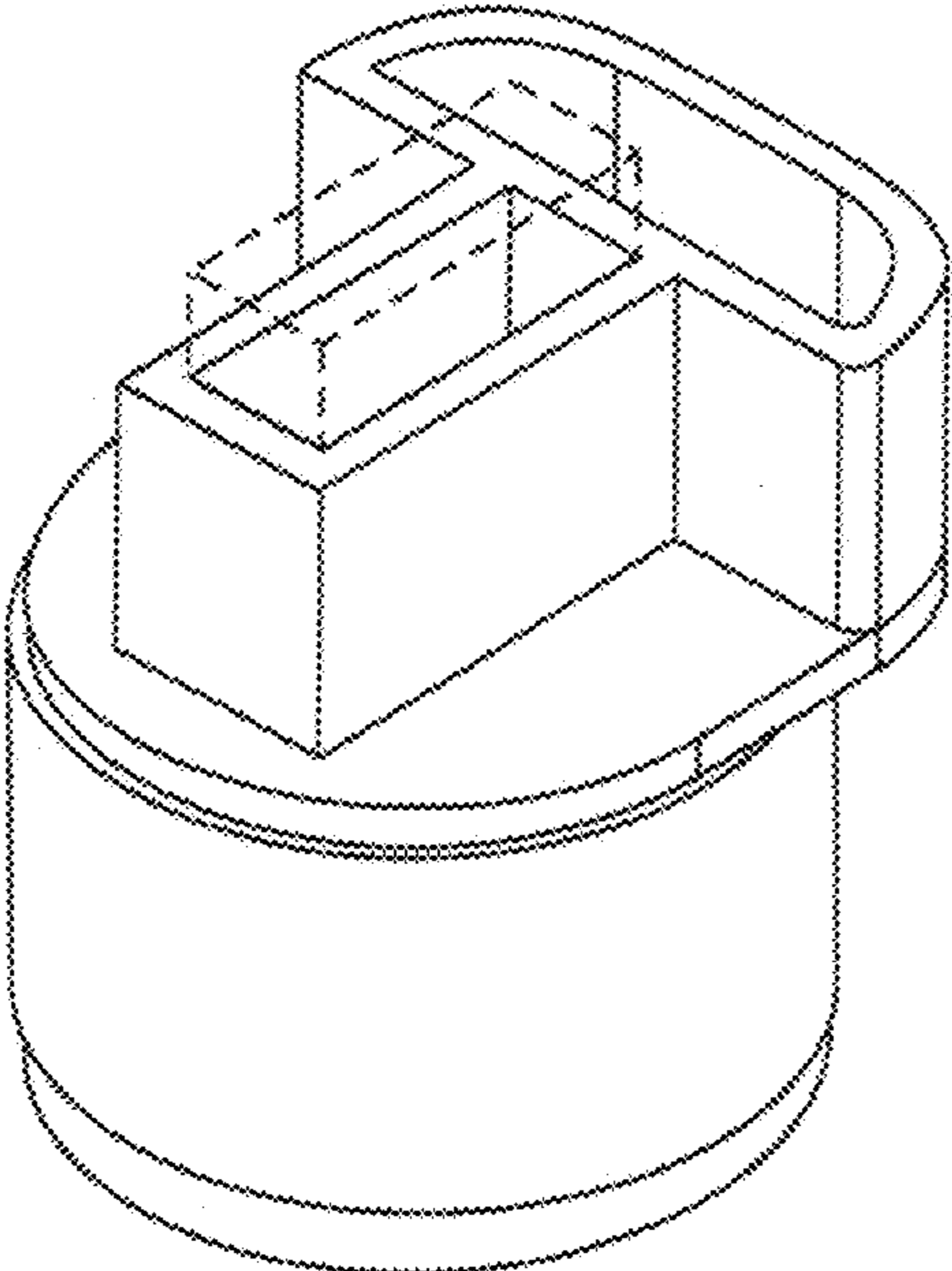


FIG. 1

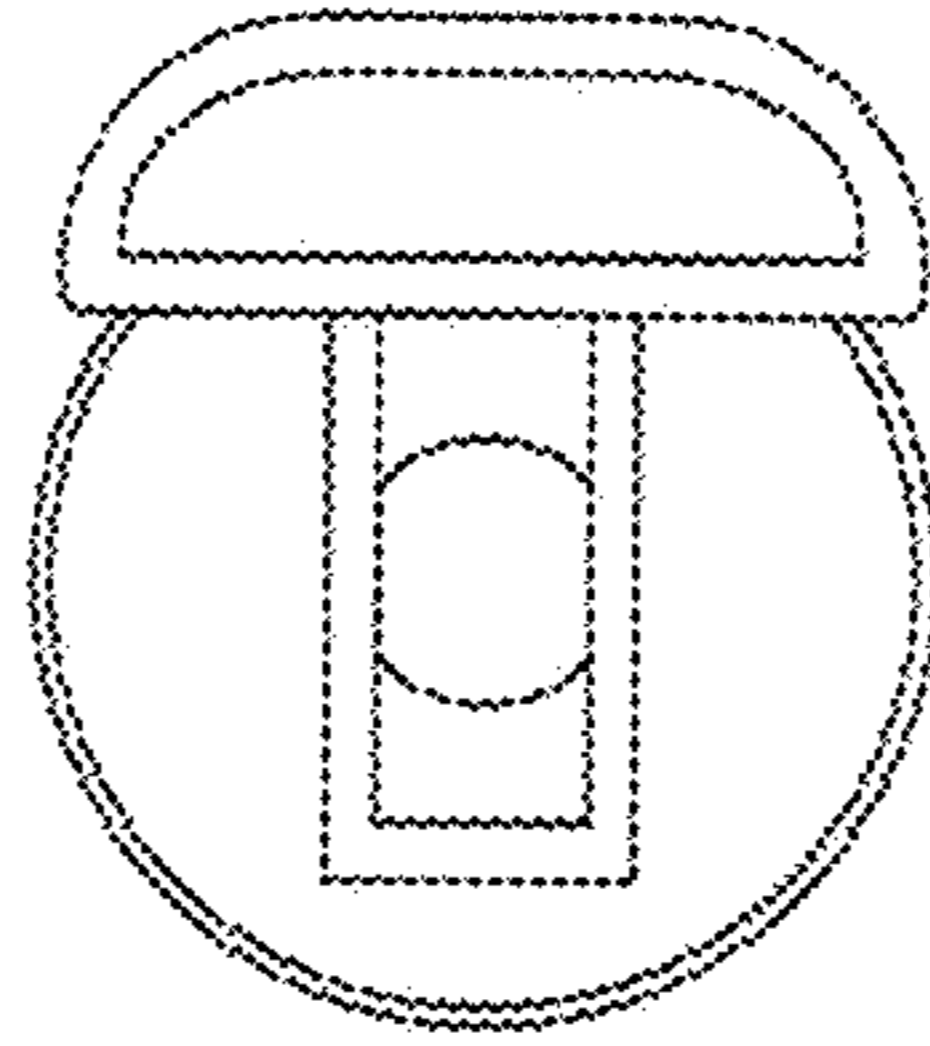


FIG. 2

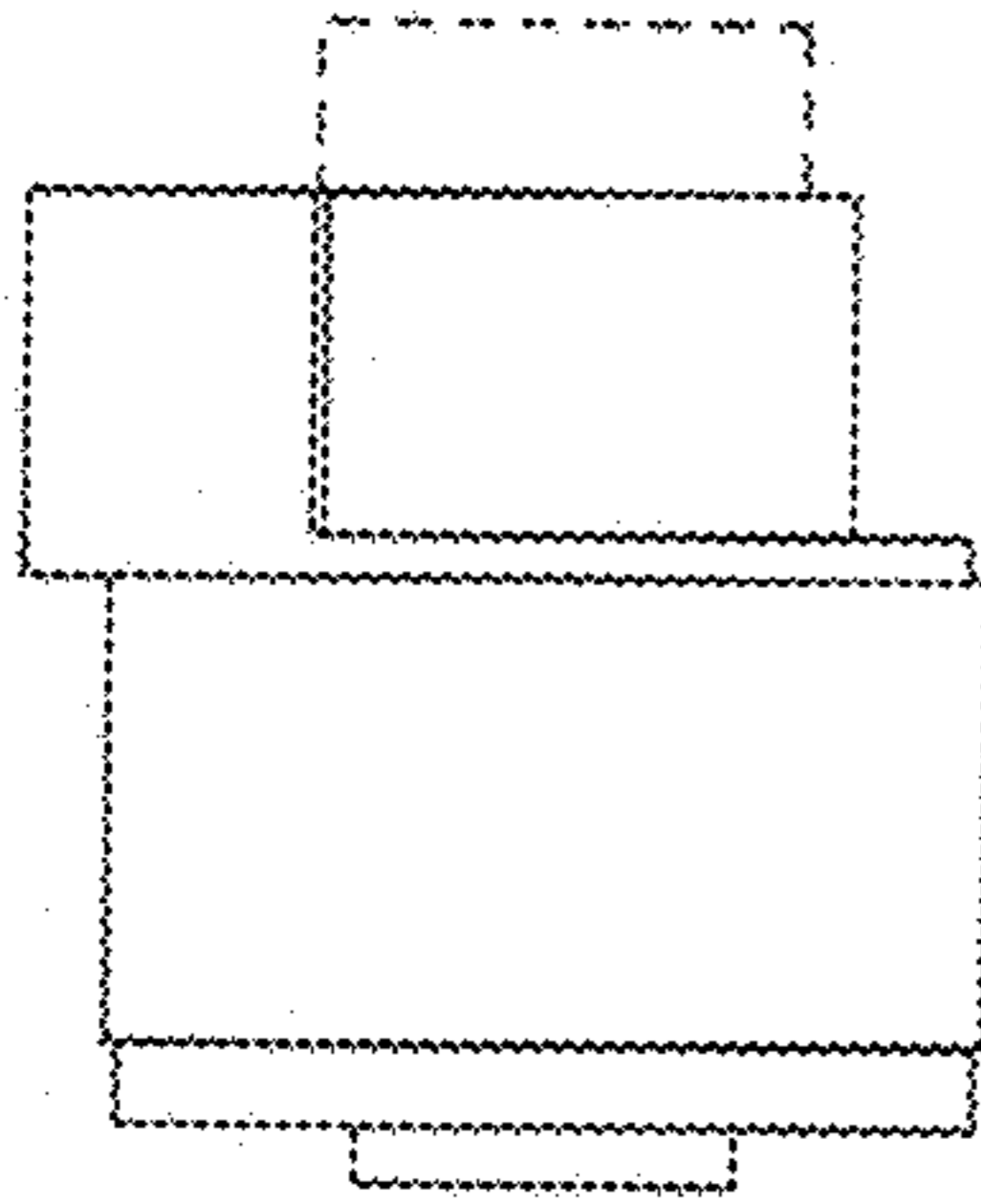


FIG. 3

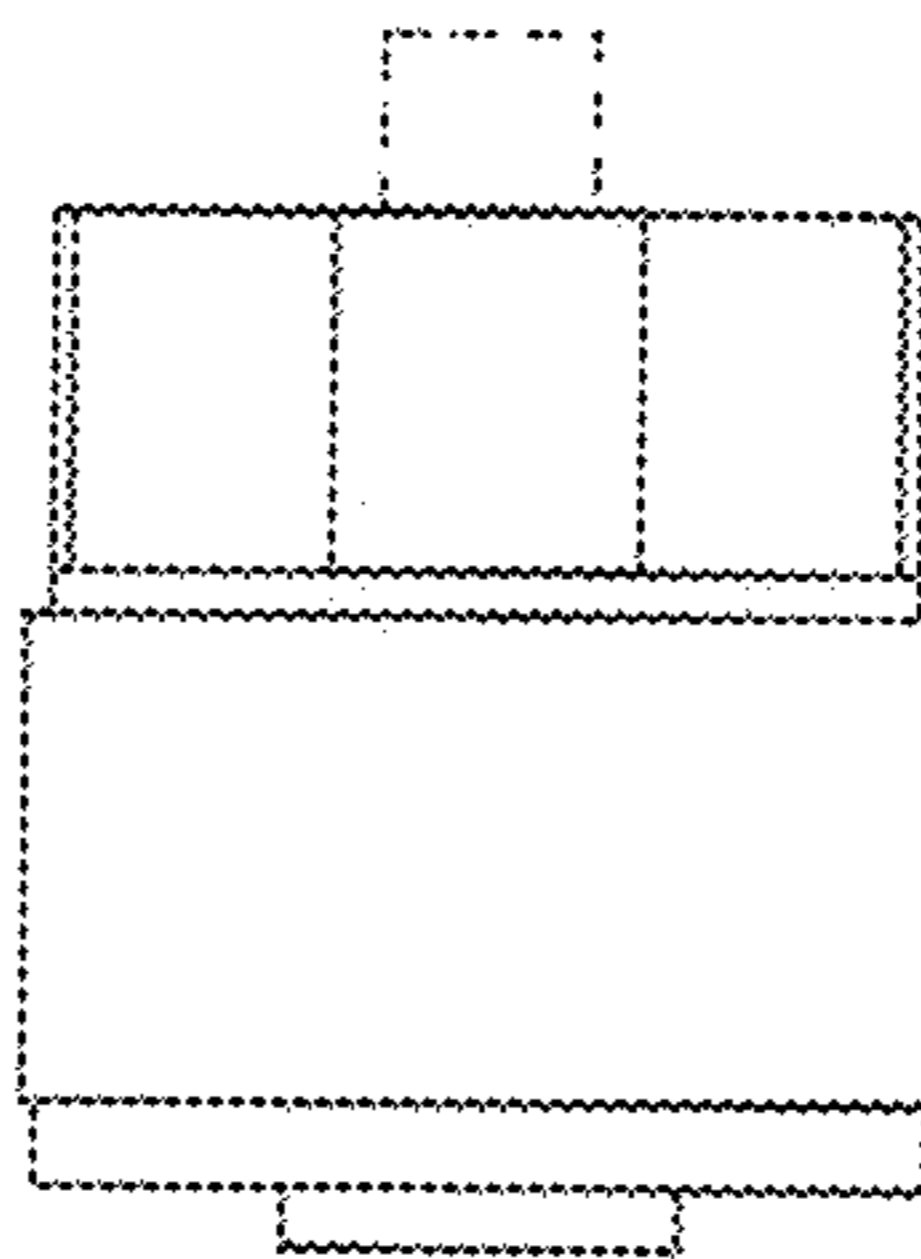


FIG. 5

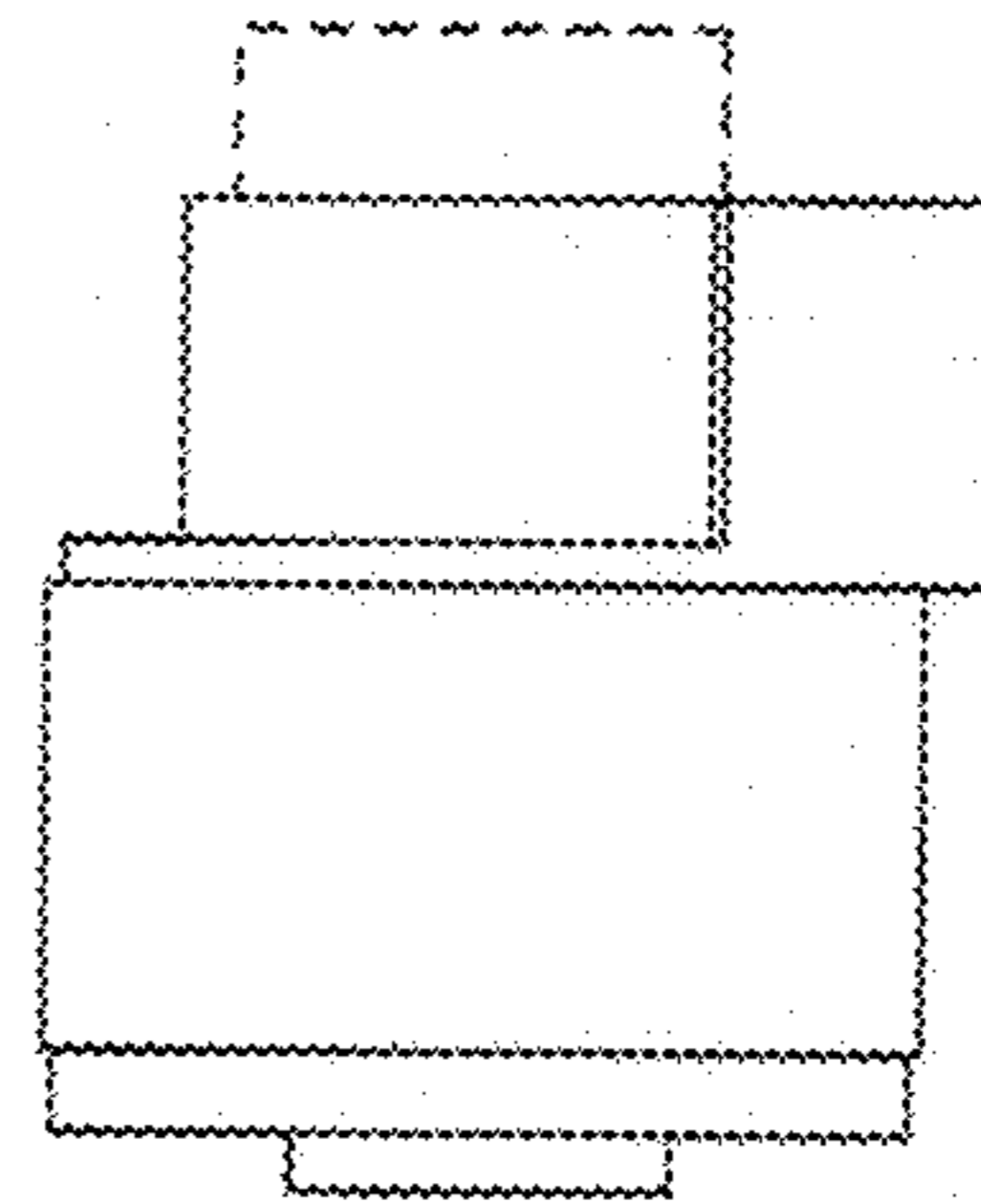


FIG. 4

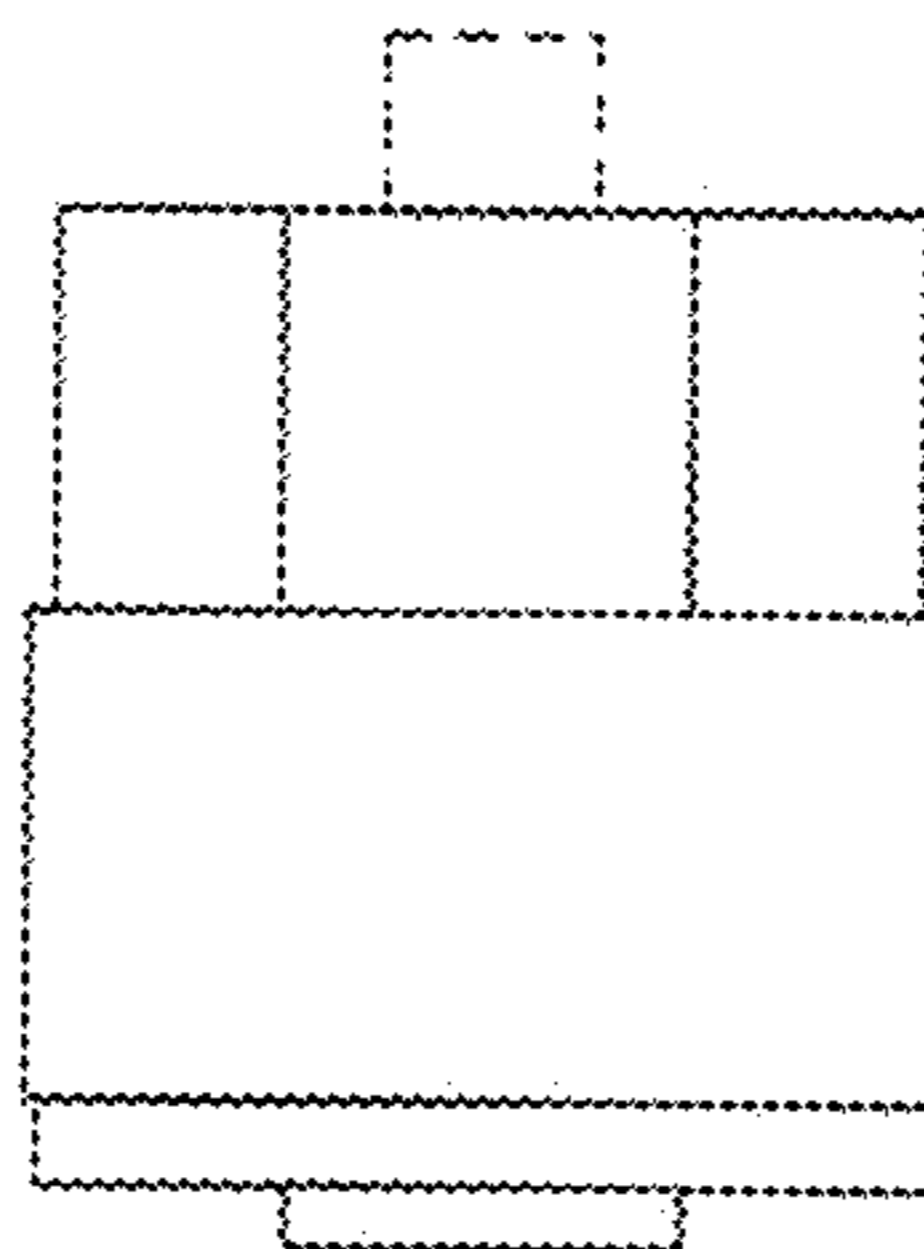


FIG. 6