



US00D812657S

(12) **United States Design Patent**  
**Holl**

(10) **Patent No.:** **US D812,657 S**

(45) **Date of Patent:** **\*\* \*Mar. 13, 2018**

(54) **AGITATOR BEAD MILL**

(71) Applicant: **NETZSCH-Feinmahltechnik GmbH,**  
Selb (DE)

(72) Inventor: **Karl-Ludwig Holl,** Bamberg (DE)

(73) Assignee: **NETZSCH-Feinmahltechnik GmbH,**  
Selb (DE)

(\*) Notice: This patent is subject to a terminal disclaimer.

(\*\*) Term: **15 Years**

(21) Appl. No.: **29/580,602**

(22) Filed: **Oct. 11, 2016**

(30) **Foreign Application Priority Data**

Apr. 12, 2016 (DE) ..... 40 2016 100 481

(51) **LOC (11) Cl.** ..... **15-09**

(52) **U.S. Cl.**  
USPC ..... **D15/131**

(58) **Field of Classification Search**  
USPC ..... D6/432, 436, 470-472; D13/184, 189;  
D14/302; D15/122, 125, 127, 130, 131,  
D15/133-136, 141, 147; D18/41, 47, 55,  
D18/99; D20/1, 8, 9; D24/232; D99/28,  
D99/29

CPC ..... B02C 17/00; B02C 17/16; B02C 17/161;  
B02C 17/18

See application file for complete search history.

(56) **References Cited**

**U.S. PATENT DOCUMENTS**

D331,248 S \* 11/1992 Yeh ..... D15/135  
D393,528 S \* 4/1998 Johnson ..... D99/28  
D399,221 S \* 10/1998 Schwartz ..... D15/130  
D419,165 S \* 1/2000 Muller ..... D15/127  
D612,873 S \* 3/2010 Spinelli ..... D15/131  
D644,672 S \* 9/2011 Kajihara ..... D15/131

D651,622 S \* 1/2012 Tobler ..... D15/131  
D740,949 S \* 10/2015 Billard ..... D24/172  
D759,737 S \* 6/2016 Gramlich ..... D15/122  
2002/0073032 A1 \* 6/2002 Holmes ..... G06Q 20/1085  
705/43

(Continued)

**FOREIGN PATENT DOCUMENTS**

CA 2792246 A1 \* 9/2011 ..... B02C 17/161

**OTHER PUBLICATIONS**

Netzsch Alpha, posted on netzsch-grinding.com, no posted date given, no production date given, [online], [site visited Jul. 31, 2017], Available from Internet, <URL: <https://www.netzsch-grinding.com/en/products-solutions/wet-grinding/netzsch-alpha/>>.\*

(Continued)

*Primary Examiner* — Melanie H Tung

*Assistant Examiner* — Fritzgerald L Butac

(74) *Attorney, Agent, or Firm* — Whitmyer IP Group LLC

(57) **CLAIM**

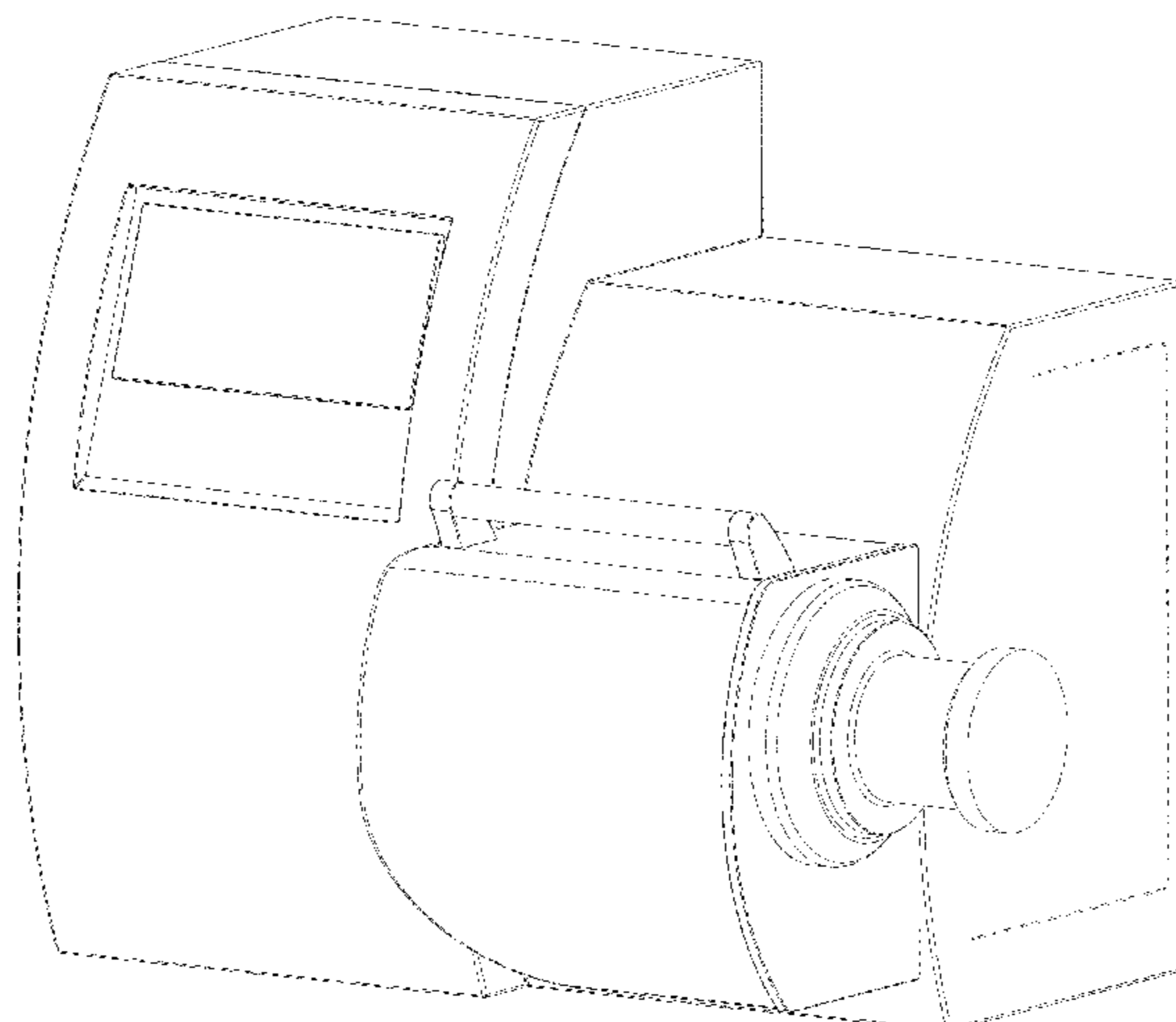
The ornamental design for an agitator bead mill, as shown and described.

**DESCRIPTION**

FIG. 1 is a front left isometric view of an agitator bead mill in accordance with the new design;  
FIG. 2 is a front right isometric view thereof;  
FIG. 3 is a rear right isometric view thereof;  
FIG. 4 is a rear left isometric view thereof;  
FIG. 5 is a right side elevational view thereof;  
FIG. 6 is a left side elevational view thereof;  
FIG. 7 is a front elevational view thereof;  
FIG. 8 is a rear elevational view thereof;  
FIG. 9 is a top plan view thereof; and,  
FIG. 10 is a bottom plan view thereof.

The broken lines show portions of an agitator bead mill that form no part of the claimed design.

**1 Claim, 10 Drawing Sheets**



(56)

**References Cited**

U.S. PATENT DOCUMENTS

2014/0209717 A1\* 7/2014 Barthelmess ..... B02C 21/00  
241/24.1

OTHER PUBLICATIONS

Modular Platform for Agitator Bead Mill Optimizes Grinding, posted on pharmtech.com, posted Aug. 11, 2015, no production date given, [online], [site visited Jul. 31, 2017], Available from Internet, <URL: <http://www.pharmtech.com/modular-platform-agitator-bead-mill-optimizes-grinding>>.\*

Horizontal Agitator Bead Mill, posted on alibaba.com, no posted date given, no production date given, [online], [site visited Jul. 31, 2017], available from internet, <URL: [https://www.alibaba.com/product-detail/horizontal-agitator-bead-mill\\_2006384369.html](https://www.alibaba.com/product-detail/horizontal-agitator-bead-mill_2006384369.html)>.\*

Horizontal Bead Mill, posted on glenmills.com, no posted date given, no production date given, [online], [site visited Jul. 31, 2017], Available from Internet, <URL: <http://www.glenmills.com/wet-milling/bead-mills/?>>.\*

\* cited by examiner

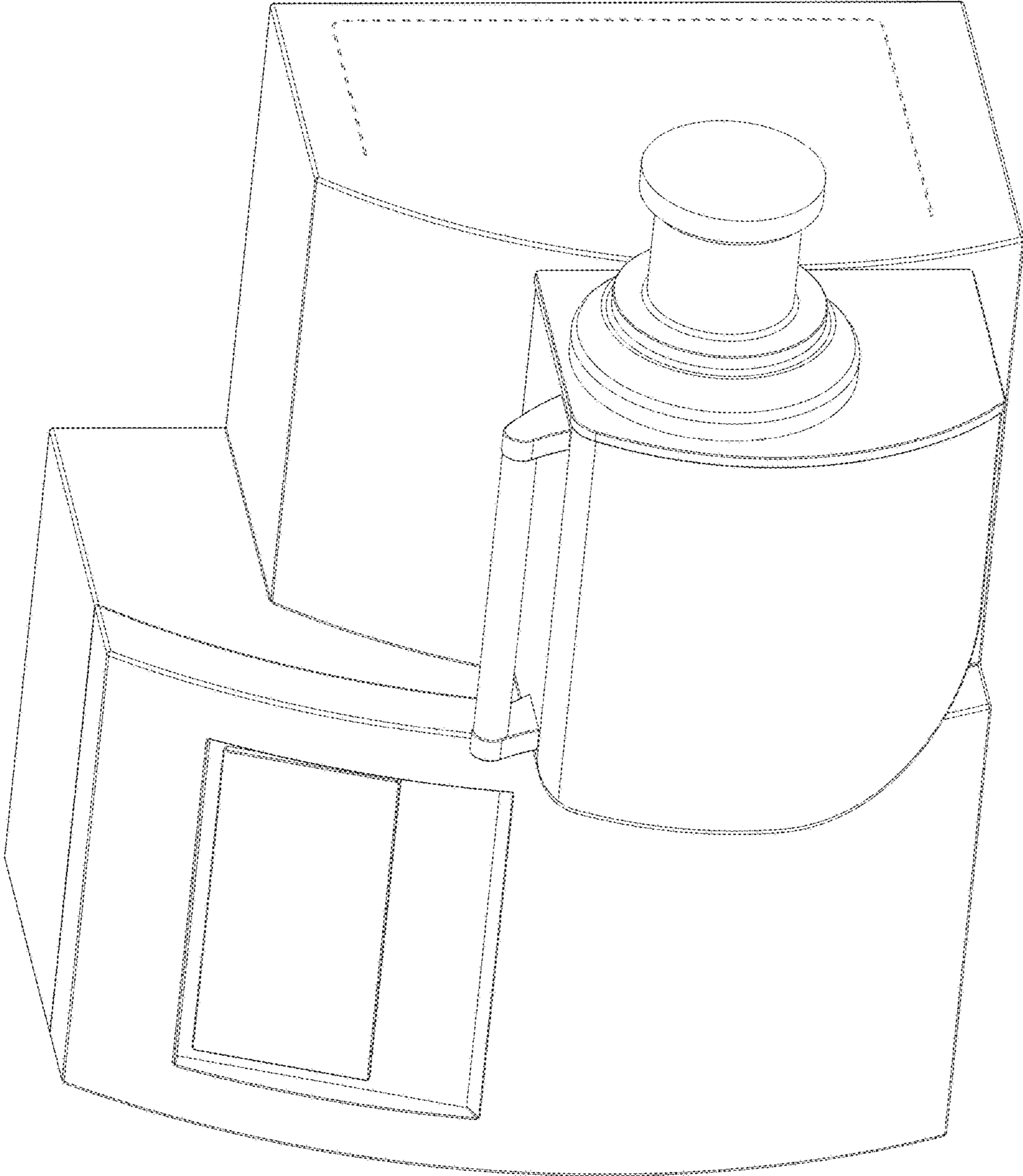


Fig. 1

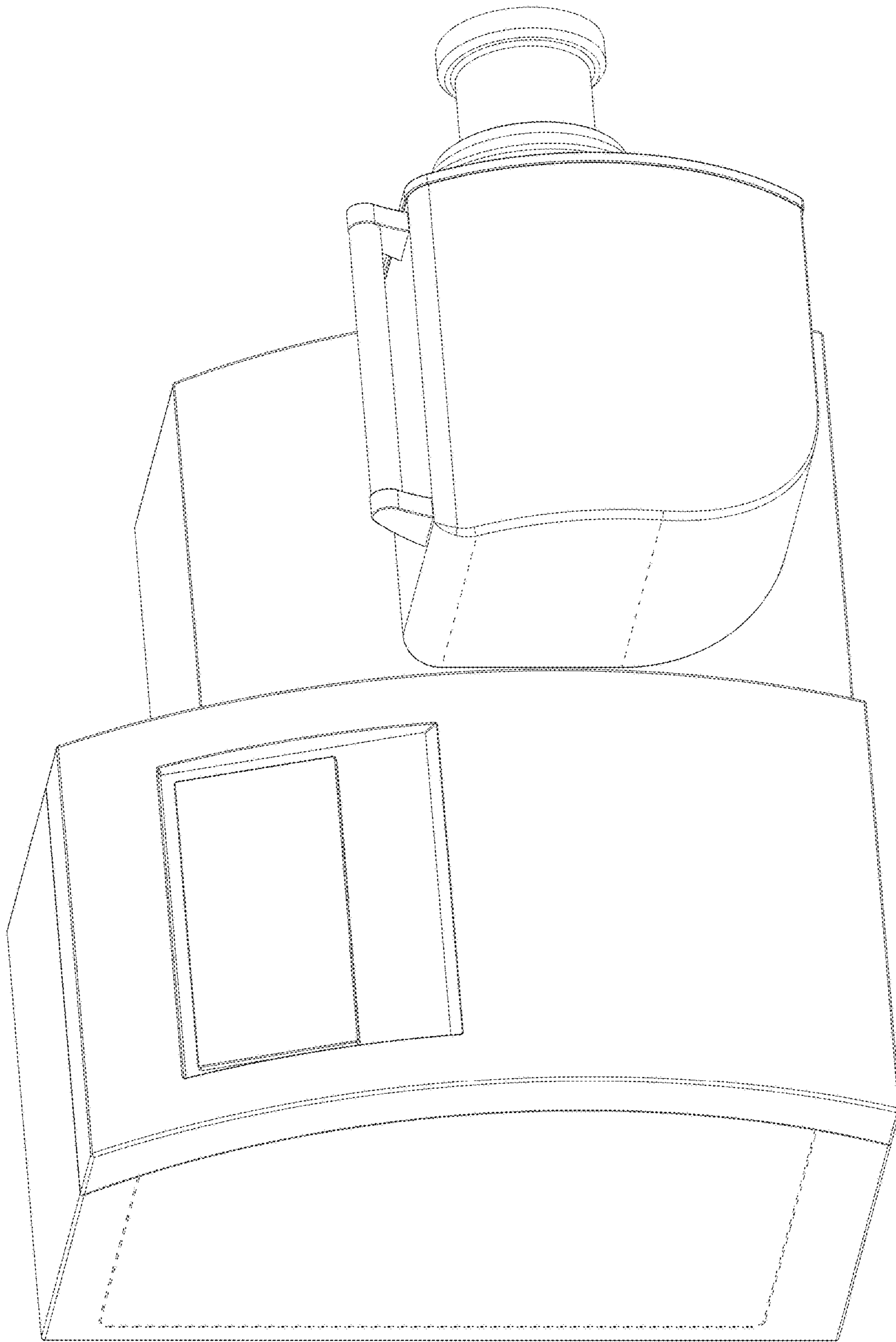


Fig. 2

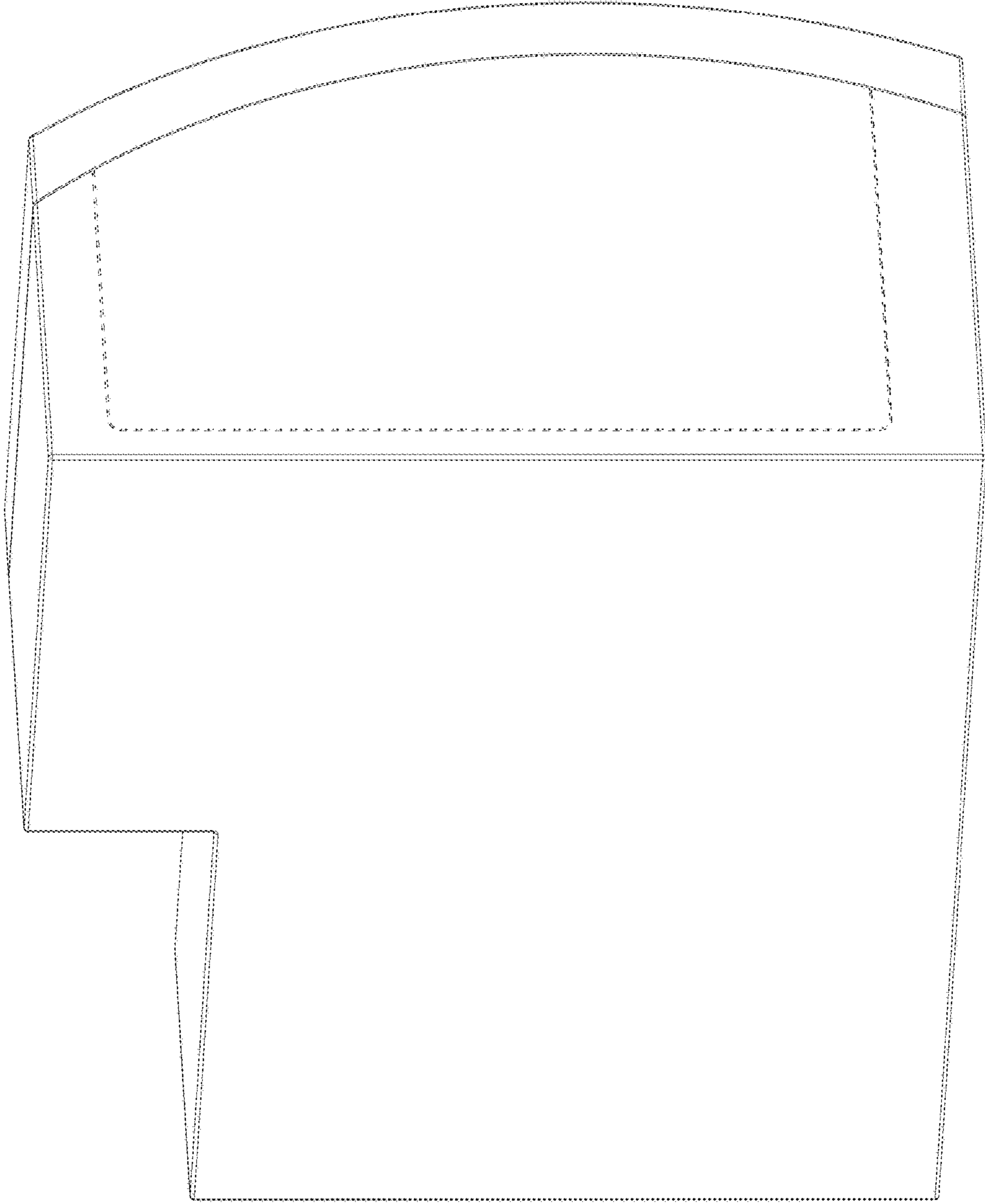


Fig. 3



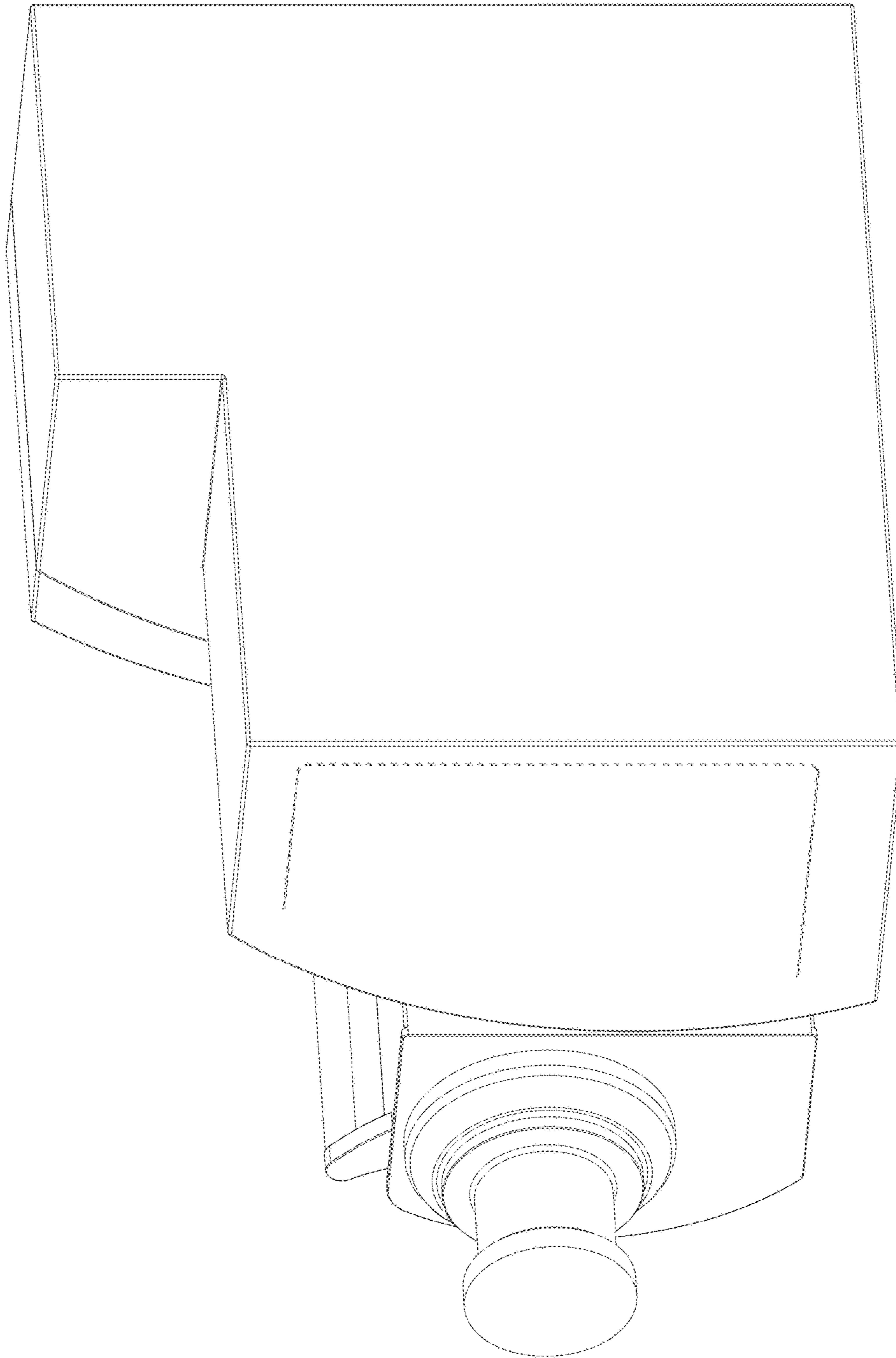


Fig. 4

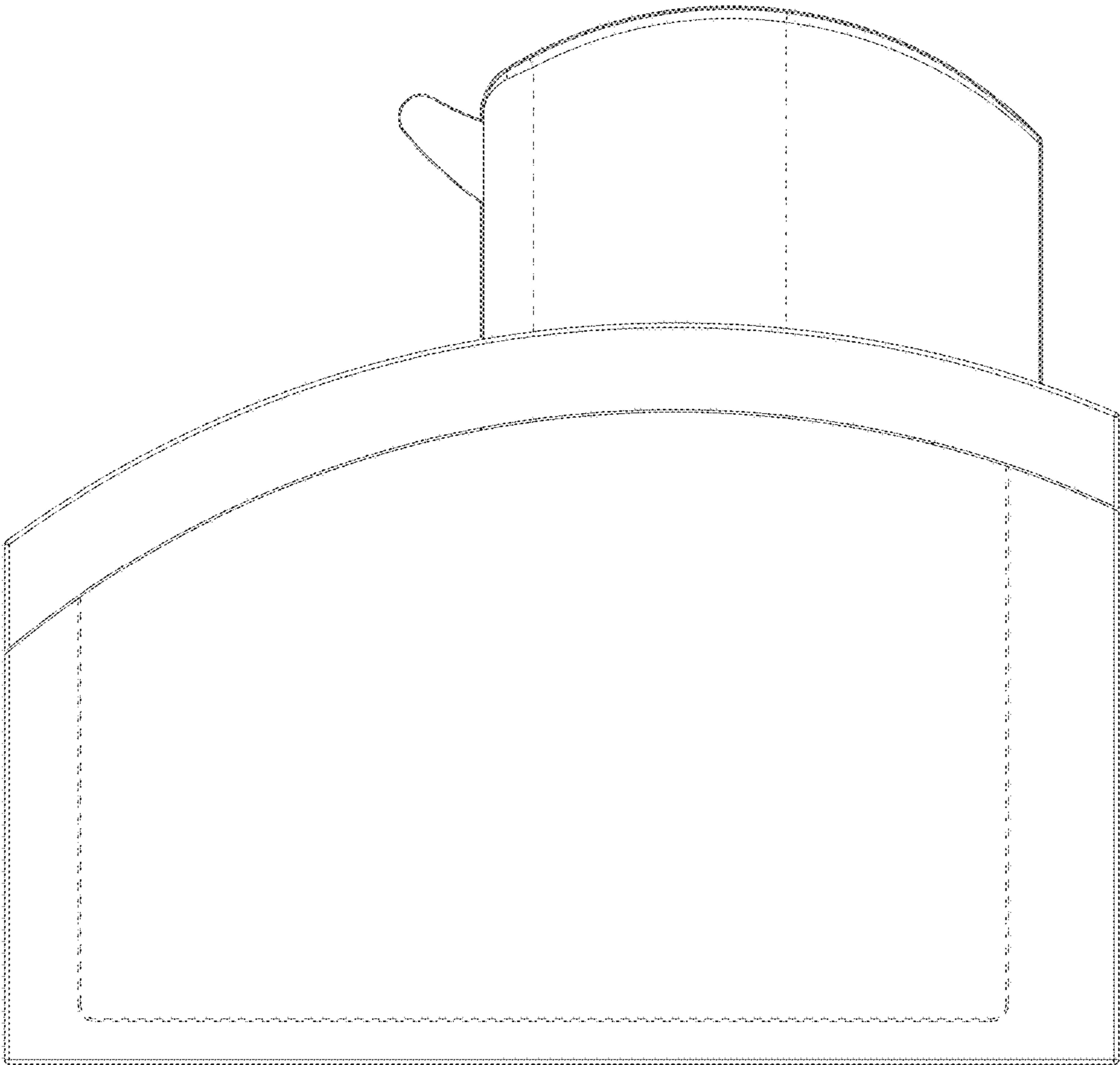


Fig. 5

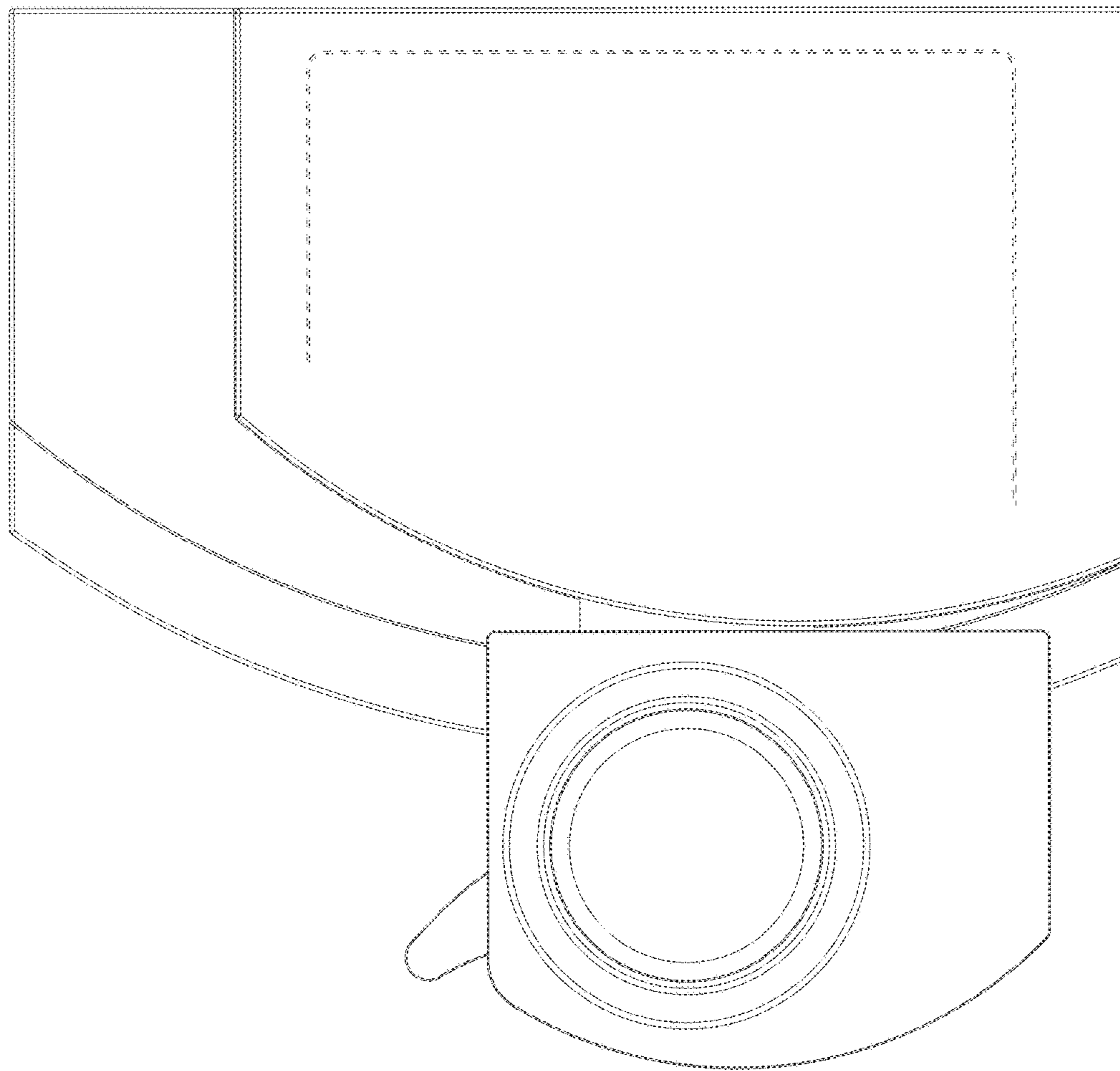


Fig. 6



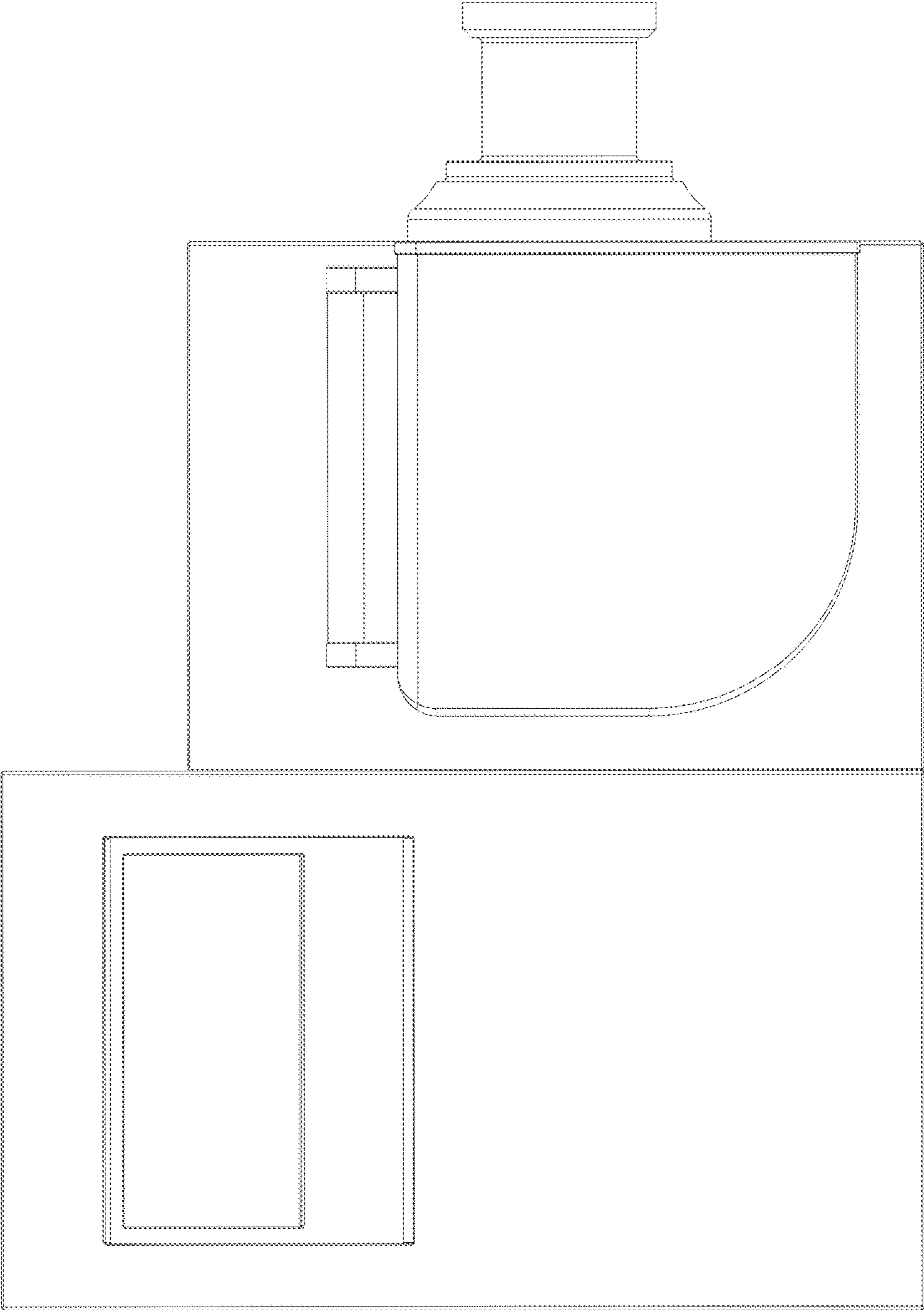


Fig. 7

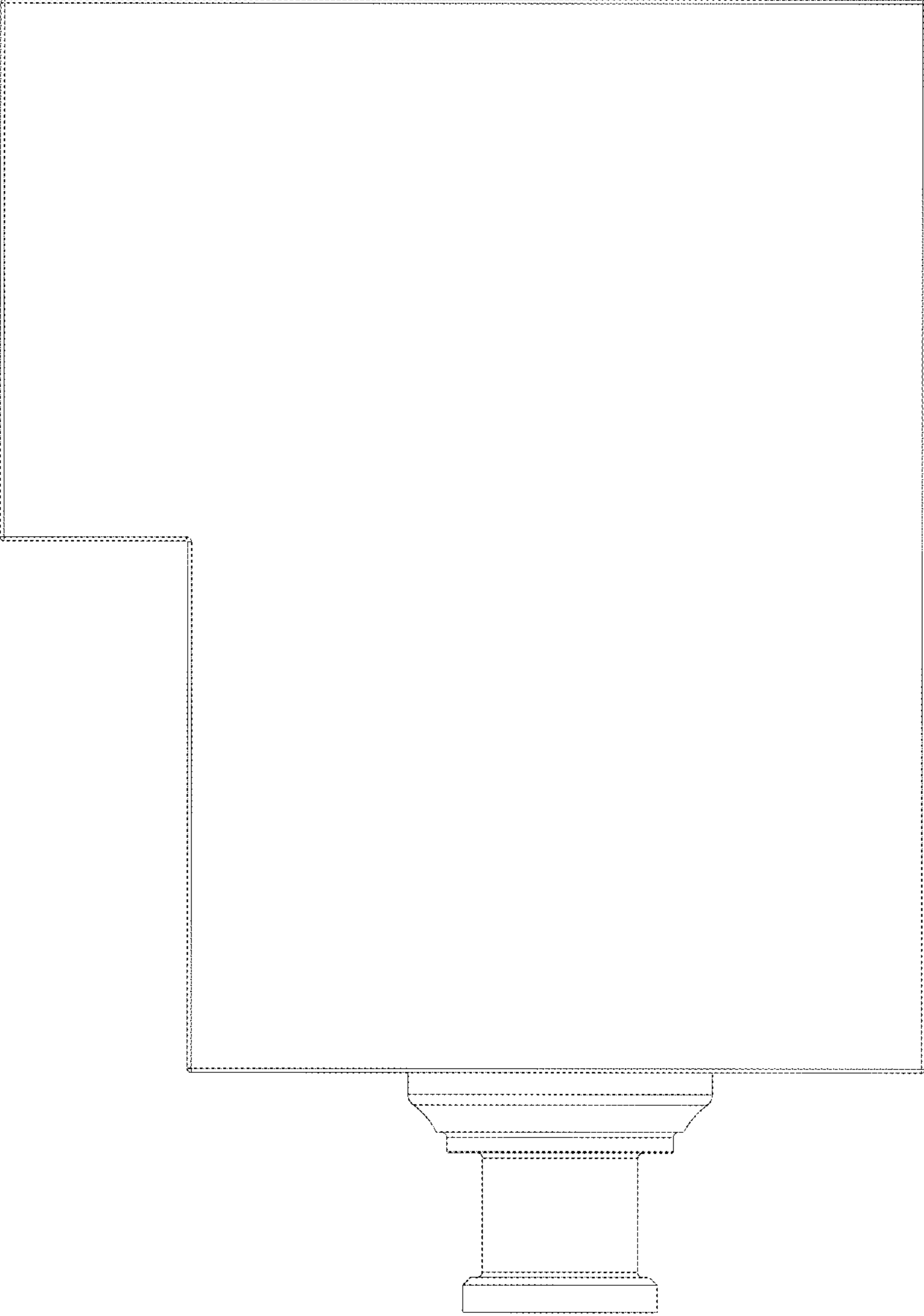


Fig. 8

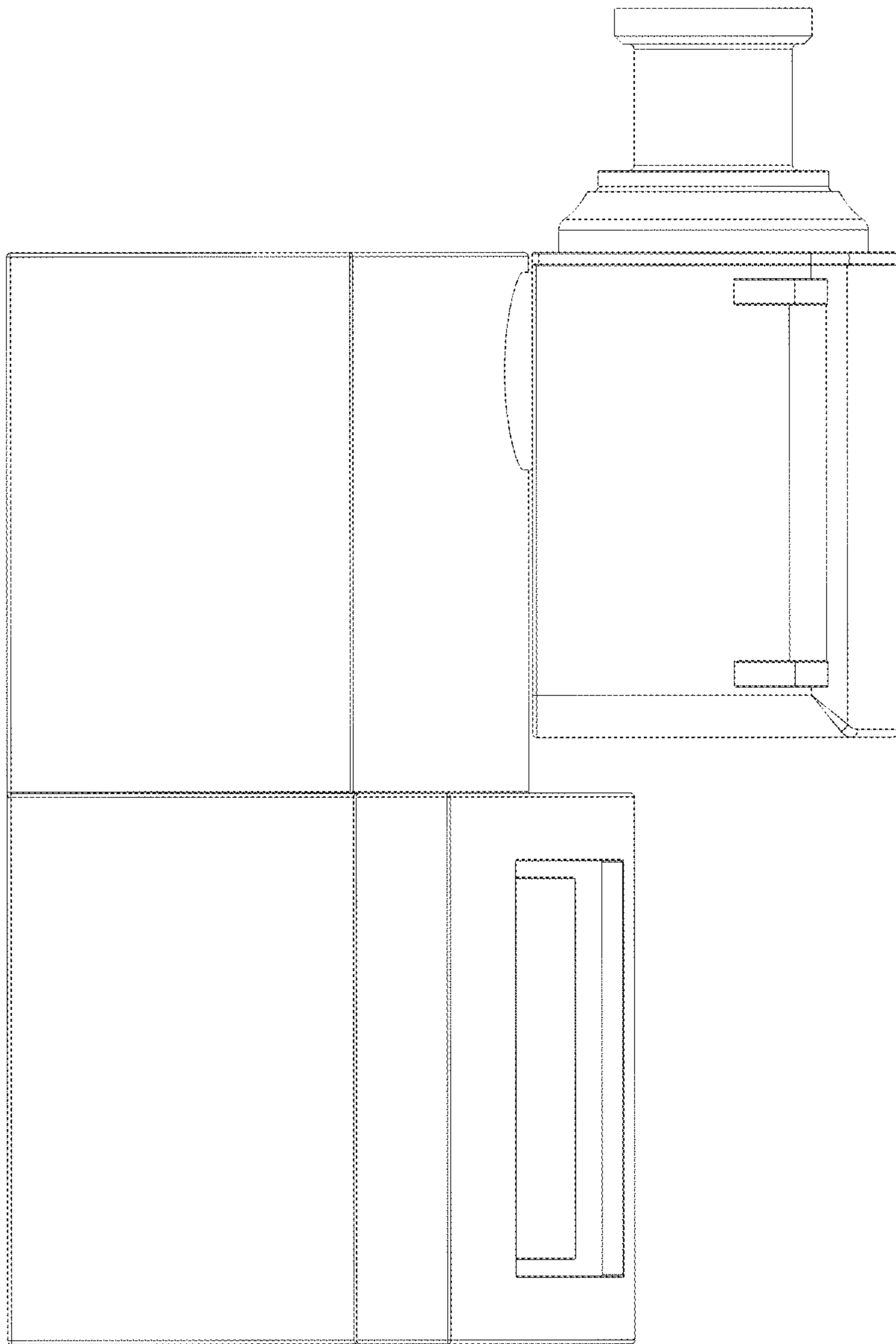


Fig. 9

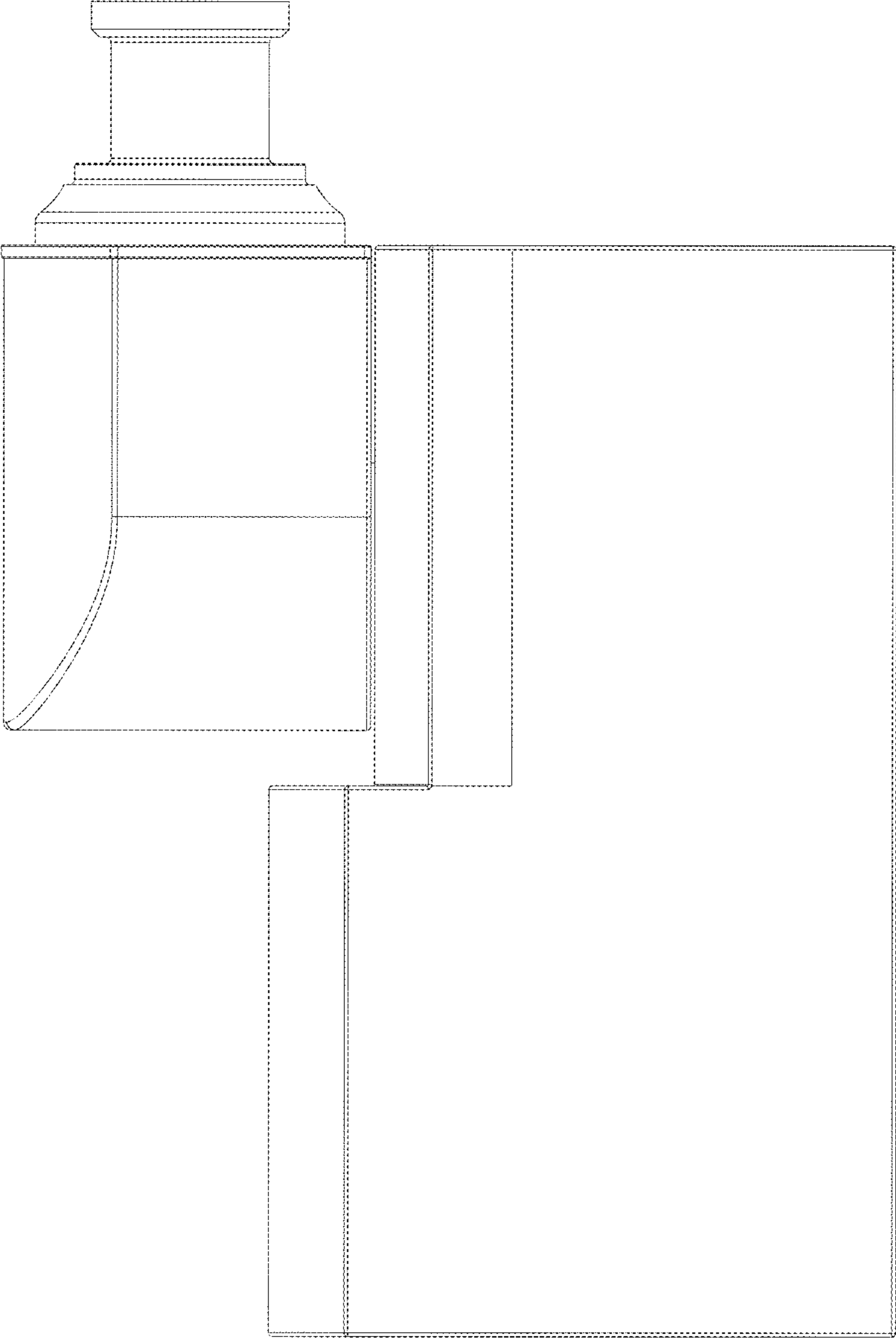


Fig. 10