



US00D812656S

(12) **United States Design Patent**
Popov

(10) **Patent No.:** **US D812,656 S**
(45) **Date of Patent:** **** Mar. 13, 2018**

(54) **TEXTURING TOOL**

(71) Applicant: **Georgi M. Popov**, Braselton, GA (US)

(72) Inventor: **Georgi M. Popov**, Braselton, GA (US)

(**) Term: **15 Years**

(21) Appl. No.: **29/568,375**

(22) Filed: **Jun. 17, 2016**

(51) **LOC (11) Cl.** **15-09**

(52) **U.S. Cl.**
USPC **D15/126**

(58) **Field of Classification Search**
USPC D15/7, 9, 10, 13, 17, 27, 28, 122, 123,
D15/124, 125, 126, 127, 128, 129, 138,
D15/139, 140, 141, 199
CPC B25D 3/00; B25D 17/02; B25D 2250/111;
B25D 2211/003; B25D 16/00; E21B
10/52; E21B 10/16; E21B 10/567; C03B
23/047; C03B 23/0496
See application file for complete search history.

(56) **References Cited**

U.S. PATENT DOCUMENTS

3,202,222	A *	8/1965	Norris	A01B 15/025 172/177
D296,106	S *	6/1988	Stephens	D12/608
D299,204	S *	1/1989	Nappi	D15/28
6,881,001	B1 *	4/2005	McCamy	A01B 45/02 172/540
D598,474	S *	8/2009	Bowman	D15/17

7,572,259	B2 *	8/2009	Desarzens	A61B 17/1666 606/80
D630,233	S *	1/2011	Ford	D15/123
D631,069	S *	1/2011	Ford	D15/123
D640,906	S *	7/2011	Hsu	D8/8
D642,024	S *	7/2011	Hsu	D8/8
D693,388	S *	11/2013	Meier	D15/123
D783,064	S *	4/2017	Popov	D15/126
D783,065	S *	4/2017	Popov	D15/126
D783,067	S *	4/2017	Popov	D15/126
D783,068	S *	4/2017	Popov	D15/126

* cited by examiner

Primary Examiner — Manpreet S Matharu

Assistant Examiner — Mojtaba Tehrani

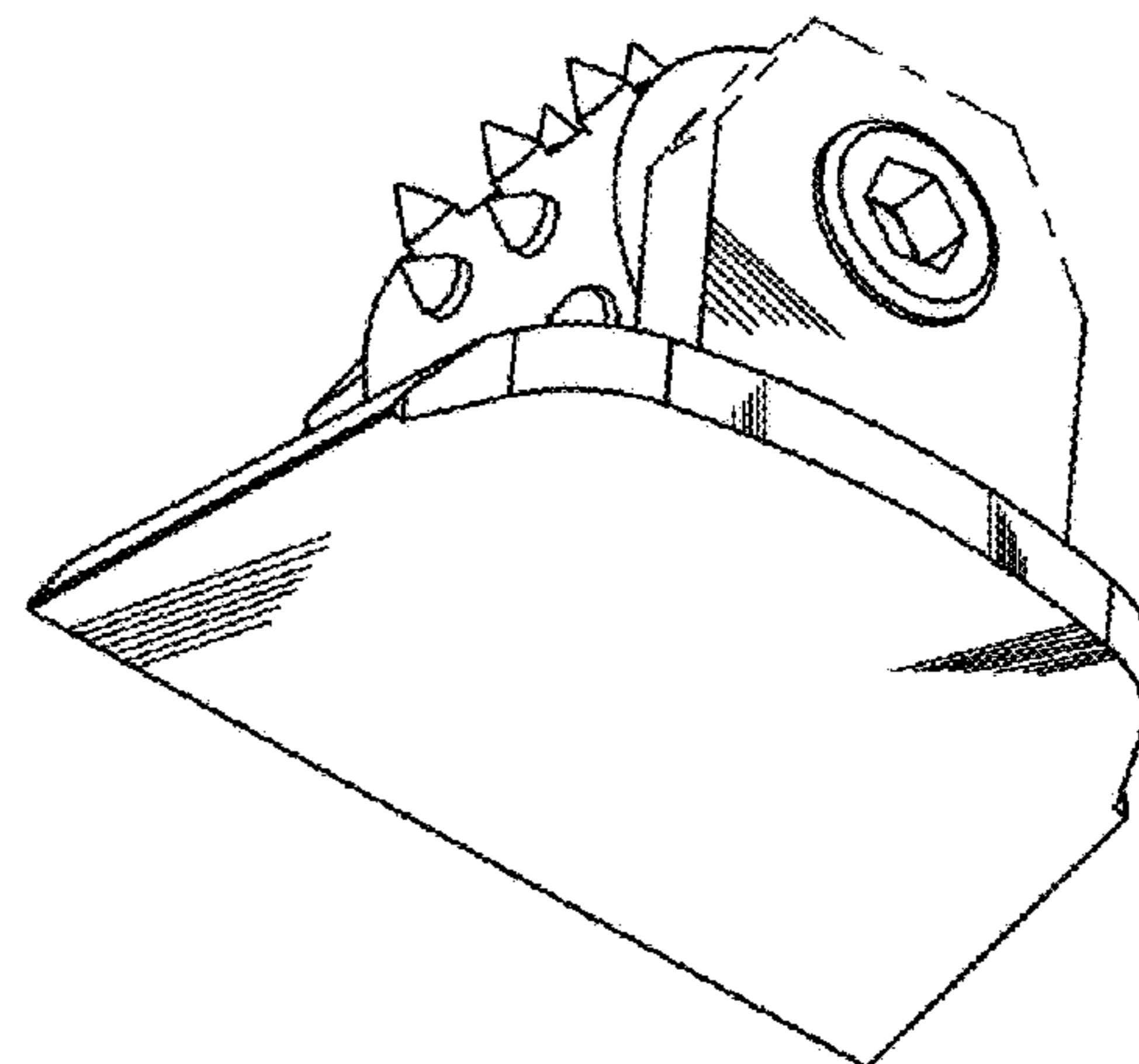
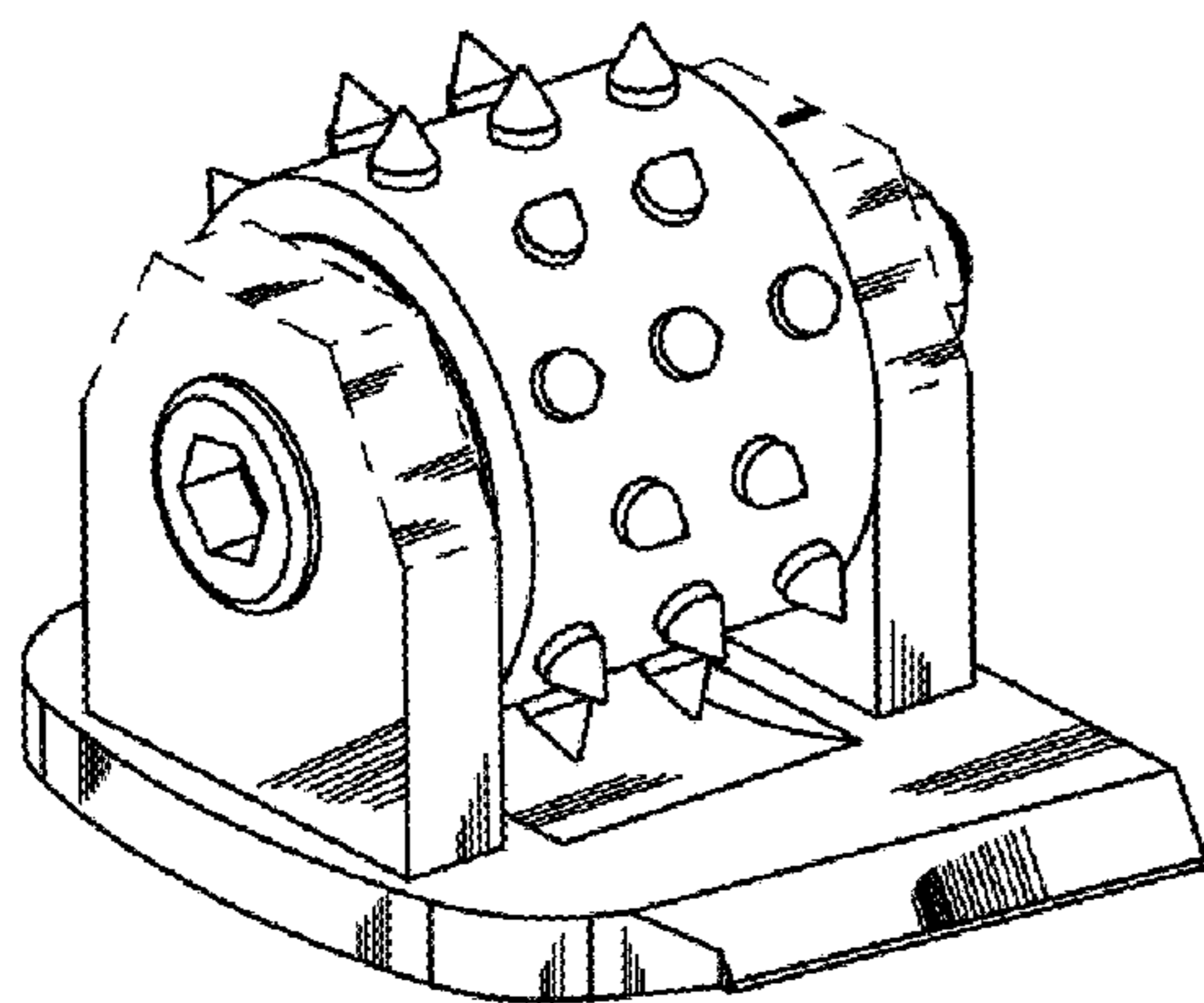
(57) **CLAIM**

The ornamental design for a texturing tool, as shown and described.

DESCRIPTION

FIG. 1 is a front perspective view of a texturing tool according to a first example embodiment; FIG. 2 is a bottom plan view thereof; FIG. 3 is a front elevation view thereof; FIG. 4 is a top plan view thereof; FIG. 5 is a left side elevation view thereof; FIG. 6 is a right side elevation view thereof; FIG. 7 is a back side elevation view thereof; and, FIG. 8 is a bottom perspective view thereof. The broken line in the figure drawings represents unclaimed portion of the design and forms no part of the claim.

1 Claim, 1 Drawing Sheet



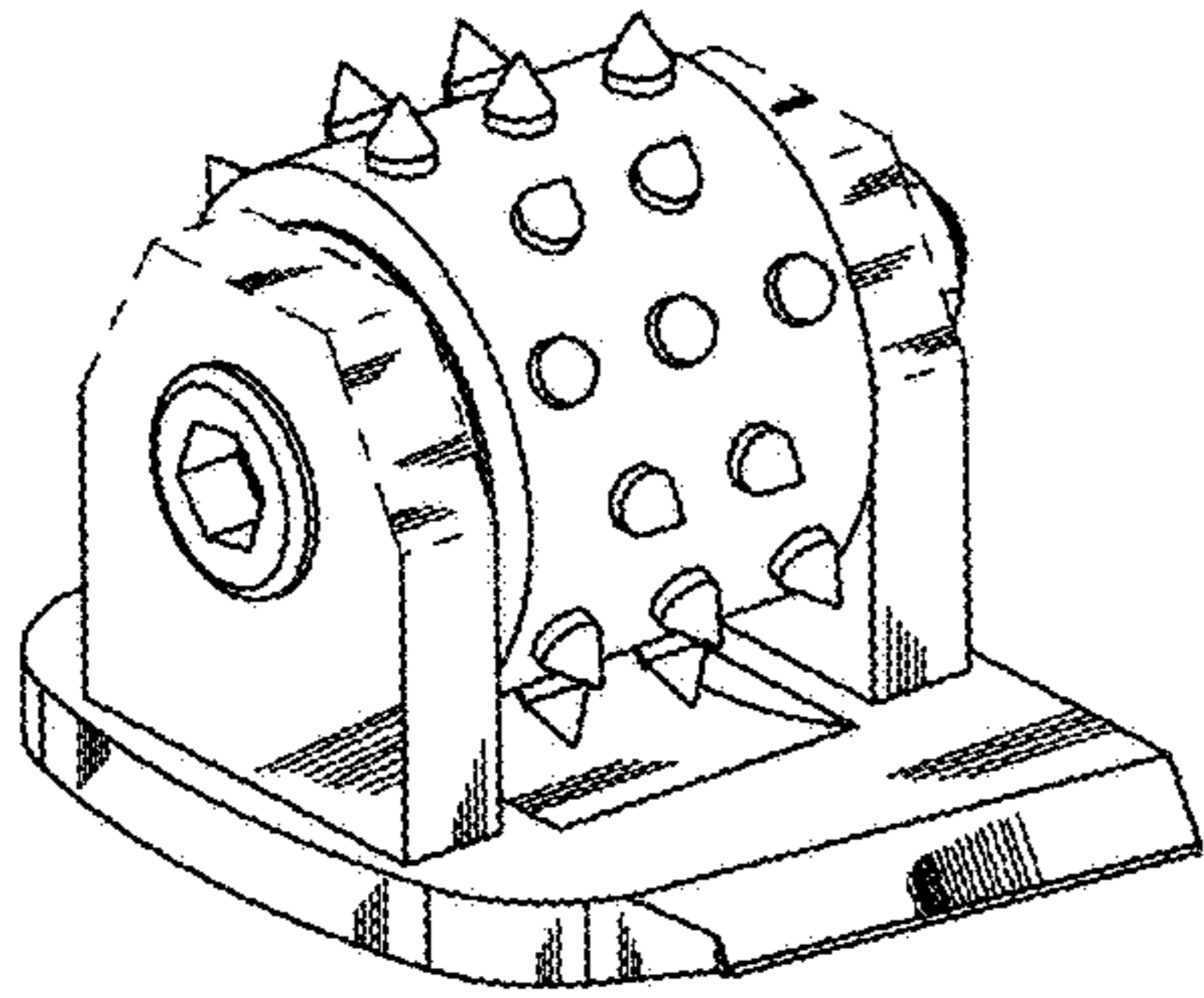


FIG. 1

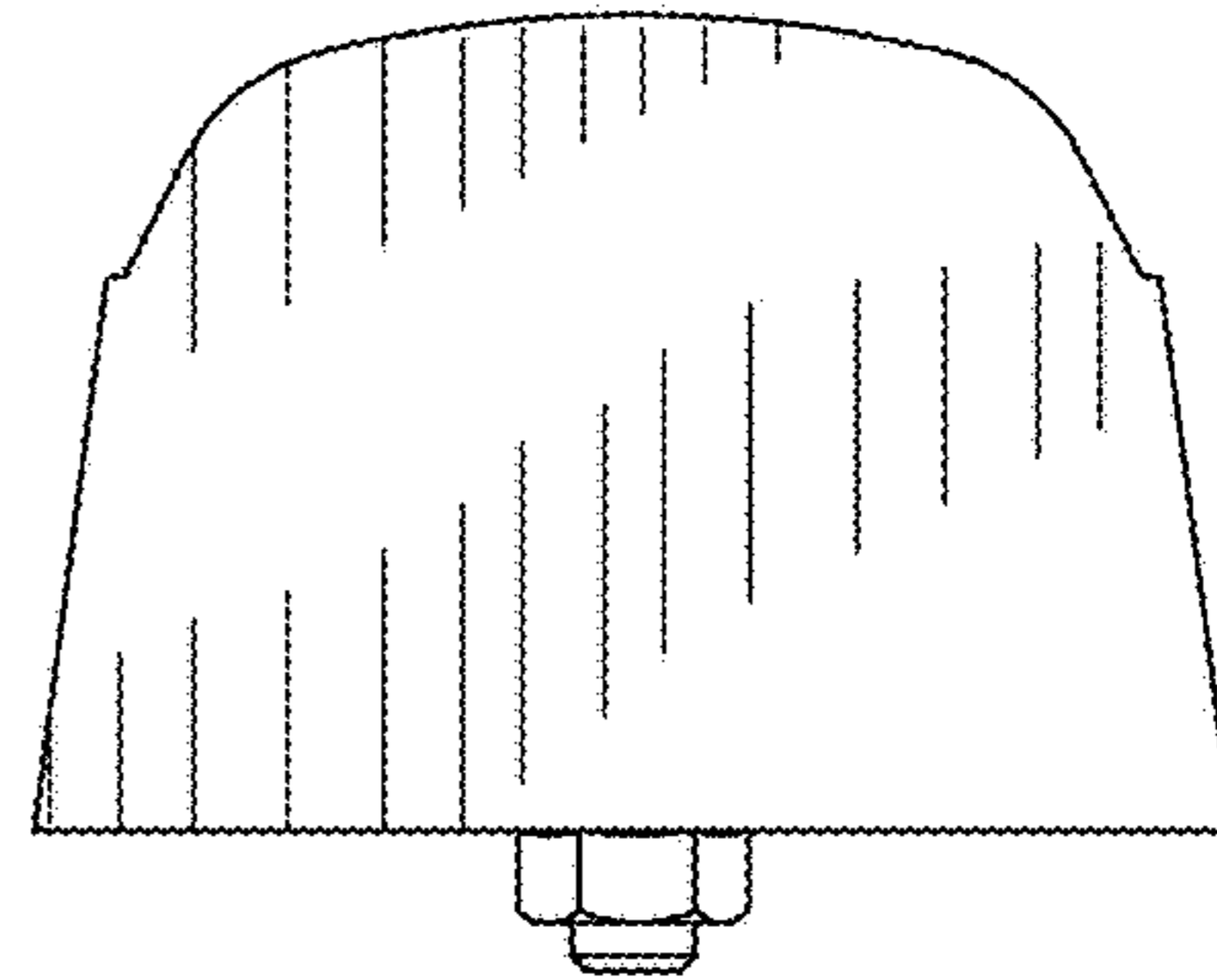


FIG. 2

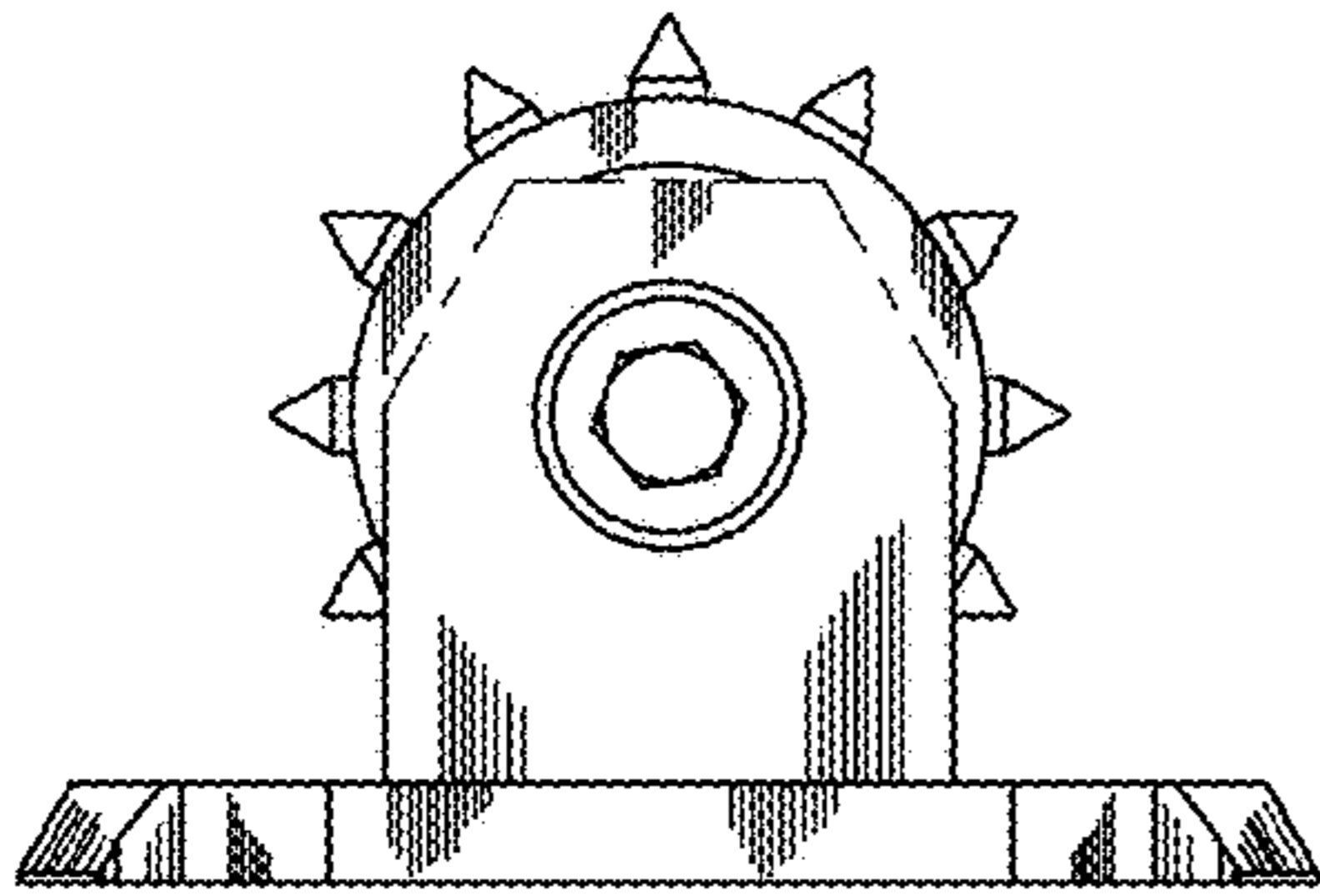


FIG. 3

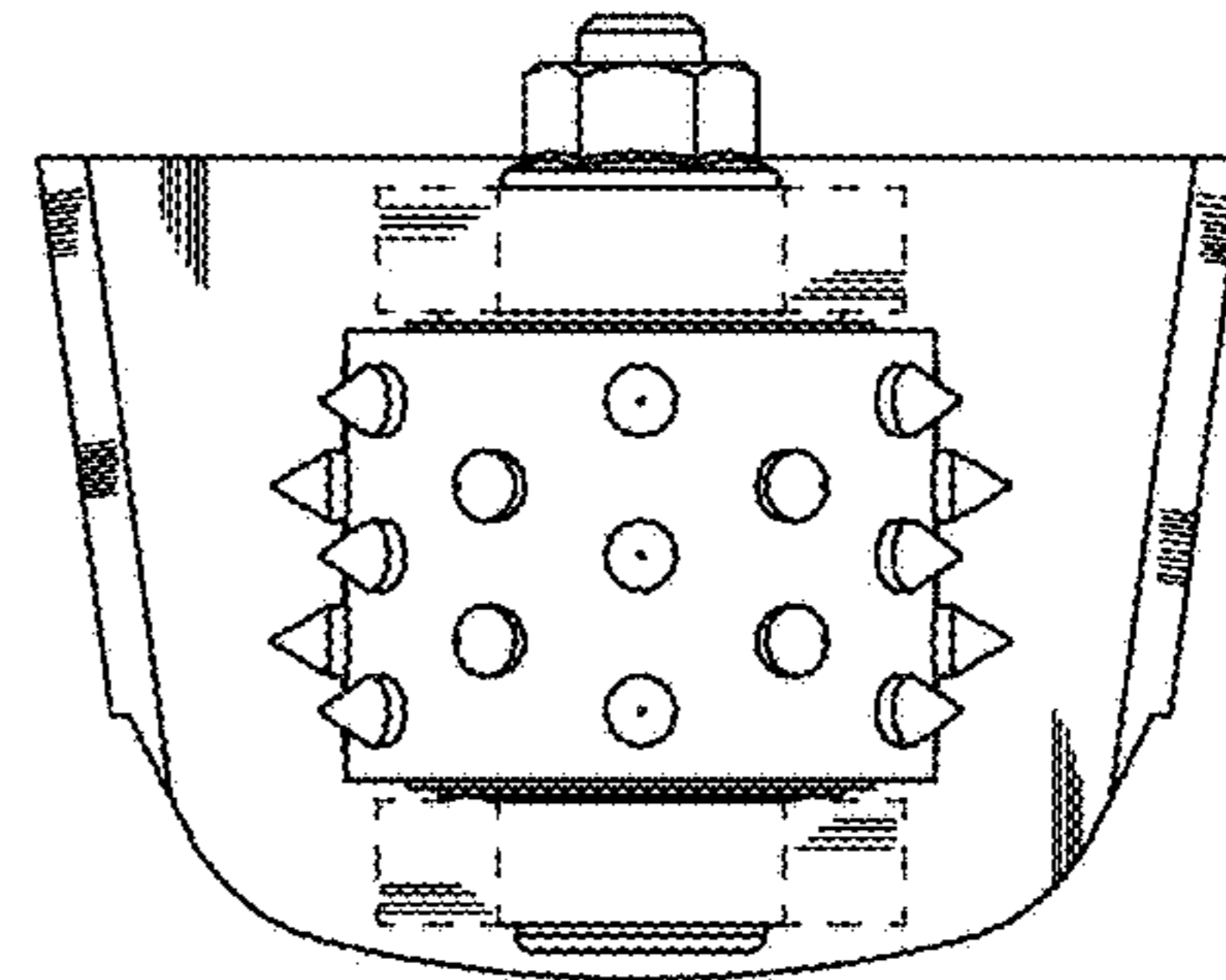


FIG. 4

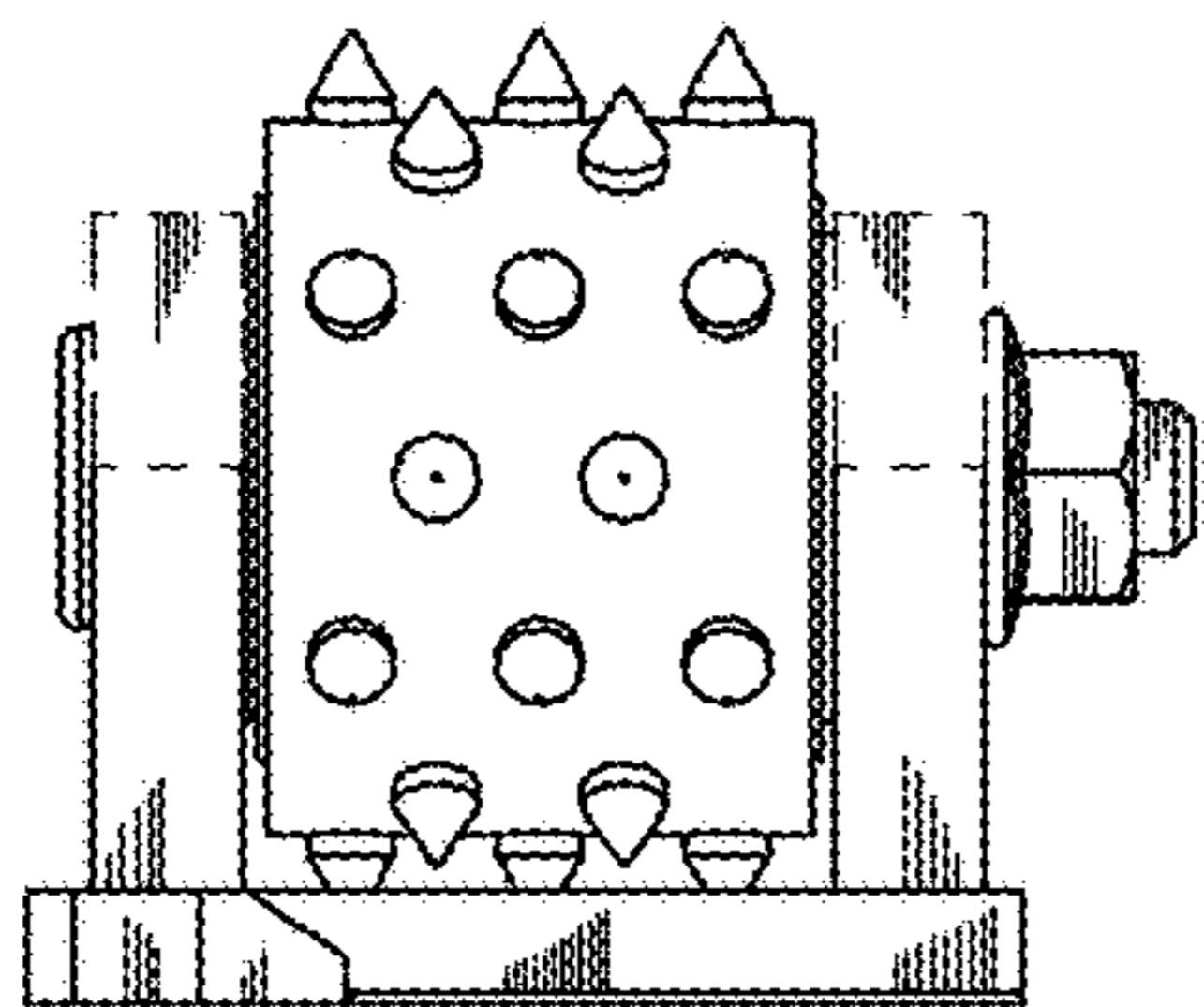


FIG. 5

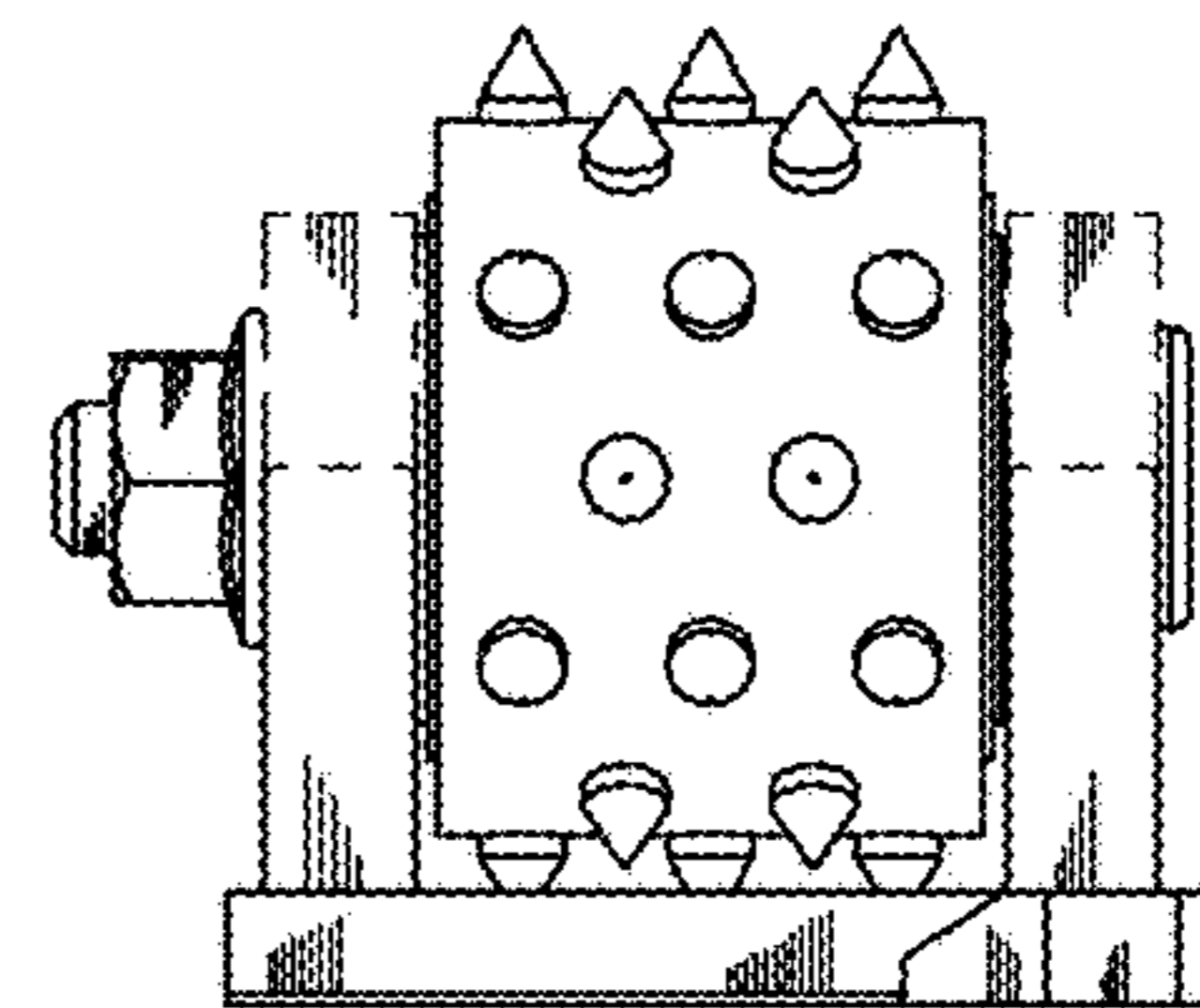


FIG. 6

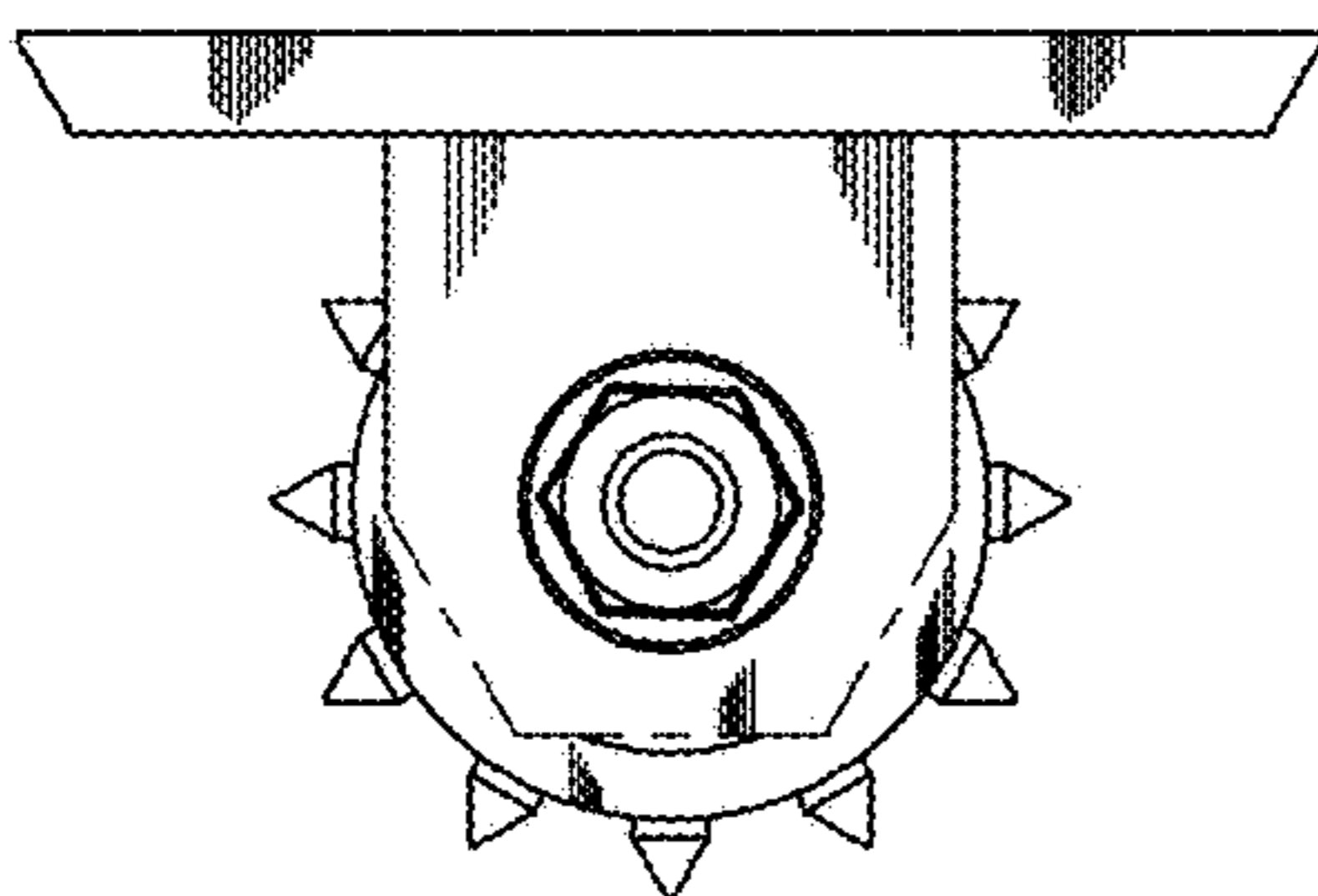


FIG. 7

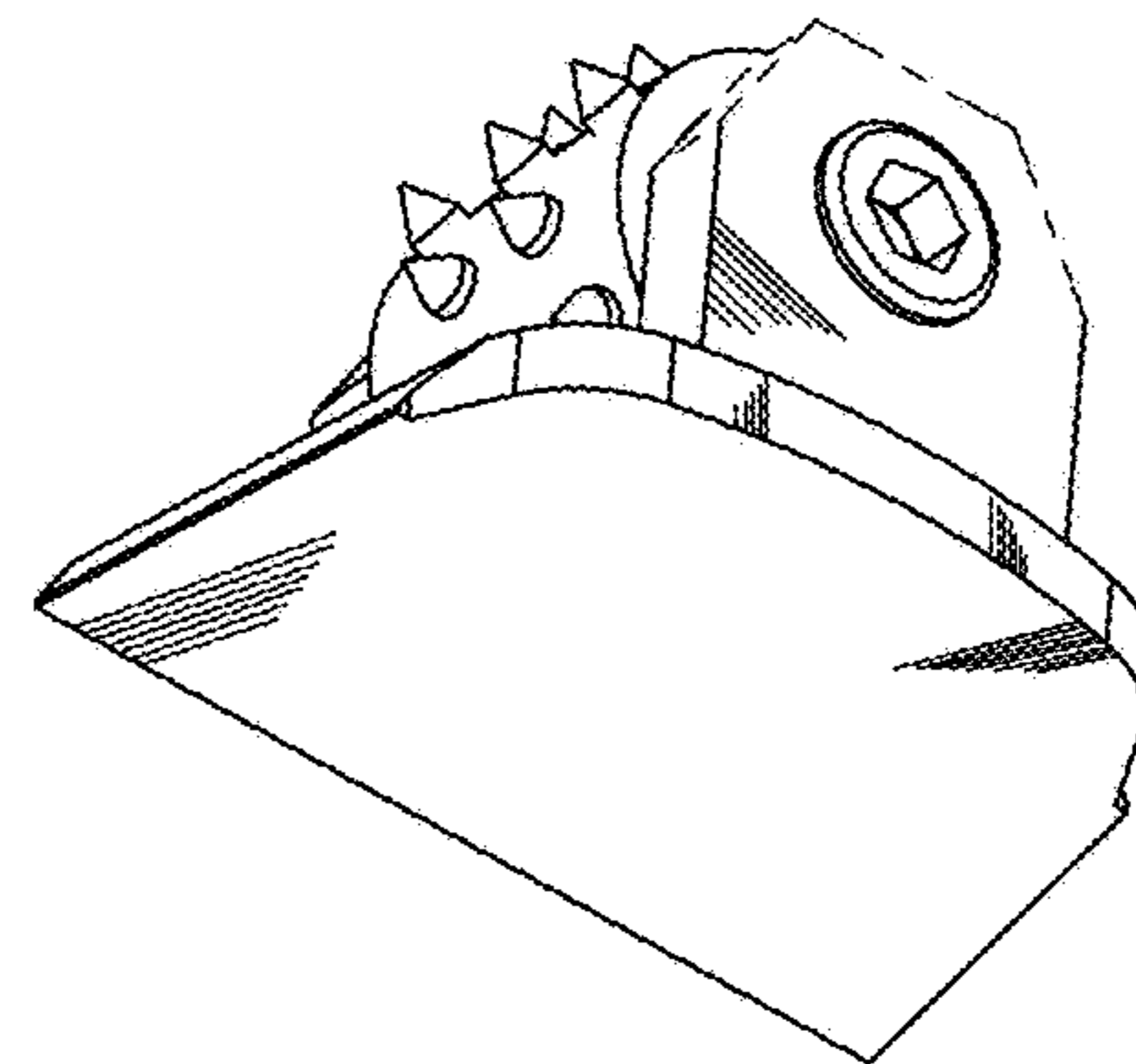


FIG. 8