

US00D812655S

(12) **United States Design Patent**  
**Holl**

(10) **Patent No.:** **US D812,655 S**

(45) **Date of Patent:** **\*\* Mar. 13, 2018**

(54) **GRINDING MACHINE**

(71) Applicant: **NETZSCH-FEINMAHLTECHNIK GMBH, Selb (DE)**

(72) Inventor: **Karl-Ludwig Holl, Bamberg (DE)**

(73) Assignee: **NETZSCH-Feinmahltechnik GmbH, Selb (DE)**

(\*\*) Term: **15 Years**

(21) Appl. No.: **35/500,791**

(22) Filed: **Oct. 8, 2015**

(80) **Hague Agreement Data**

Int. Filing Date: **Oct. 8, 2015**

Int. Reg. No.: **DM/087980**

Int. Reg. Date: **Oct. 8, 2015**

Int. Reg. Pub. Date: **Apr. 8, 2016**

(30) **Foreign Application Priority Data**

Apr. 10, 2015 (DE) ..... 40 2015 100 326

(51) **LOC (11) Cl.** ..... **15-09**

(52) **U.S. Cl.**

USPC ..... **D15/124**

CPC ..... **B24B 19/00 (2013.01)**

(58) **Field of Classification Search**

USPC ..... D15/122-126; 15/88.3, 102, 256.51;  
451/63, 72, 254, 258-262, 283-291, 359,  
451/446, 451-460

CPC .... B24B 5/00; B24B 7/00; B24B 9/00; B24B  
11/00; B24B 13/00; B24B 19/00

See application file for complete search history.

(56) **References Cited**

**U.S. PATENT DOCUMENTS**

3,017,727 A \* 1/1962 Georg ..... B24B 3/36  
451/226

4,729,192 A \* 3/1988 Elsdoerfer ..... B24B 41/06  
409/146

5,961,379 A \* 10/1999 Uchida ..... B23Q 1/4804  
294/91  
6,010,394 A \* 1/2000 Dieck ..... B24B 3/00  
451/141  
D459,370 S \* 6/2002 Beadel ..... D15/124  
D530,728 S \* 10/2006 Liao ..... D15/124  
D558,801 S \* 1/2008 Chen ..... D15/125  
D585,914 S \* 2/2009 Hart ..... D15/124  
D673,591 S \* 1/2013 Surowaniec ..... D15/124  
D673,985 S \* 1/2013 Surowaniec ..... D15/124  
D719,989 S \* 12/2014 St. Laurent ..... D15/124  
D724,634 S \* 3/2015 St. Laurent ..... D15/124

\* cited by examiner

*Primary Examiner* — Richard E Chilcot

(74) *Attorney, Agent, or Firm* — Whitmyer IP Group LLC

(57) **CLAIM**

The ornamental design for a grinding machine, as shown and described.

**DESCRIPTION**

The file of this patent contains at least one drawing/photograph executed in color. Copies of this patent with color drawing(s)/photograph(s) will be provided by the Office upon request and payment of the necessary fee.

Fig. 1.1 is a front, left side perspective view of a grinding device in accordance with the new design;

Fig. 1.2 is a front, right side perspective view thereof;

Fig. 1.3 is a rear, right side perspective view thereof;

Fig. 1.4 is a rear, left side perspective view thereof;

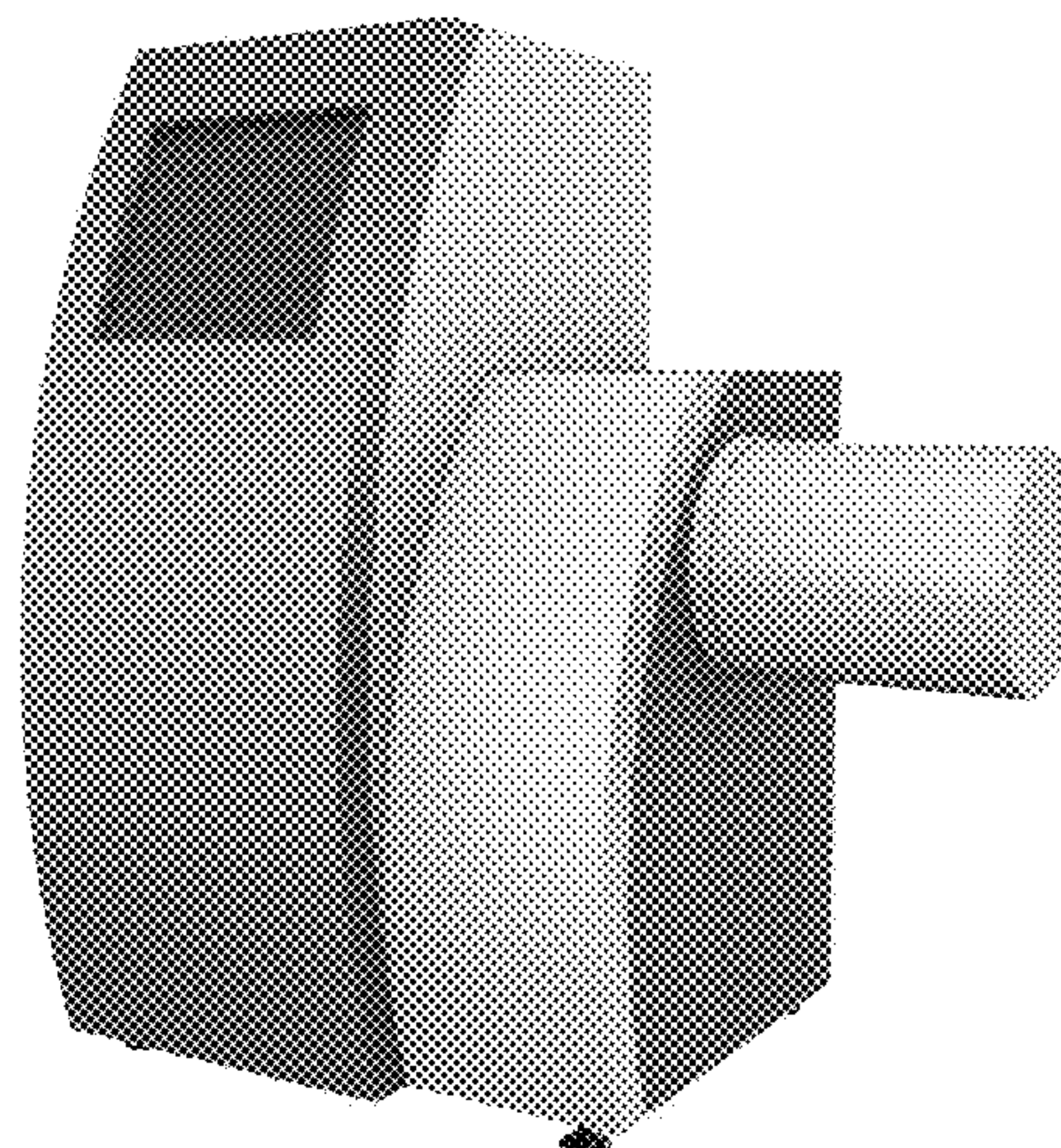
Fig. 1.5 is a right side elevational view thereof;

Fig. 1.6 is a front elevational view thereof;

Fig. 1.7 is a left side elevational view thereof;

Fig. 1.8 is a rear elevational view thereof.

**1 Claim, 8 Drawing Sheets**  
**(8 of 8 Drawing Sheet(s) Filed in Color)**





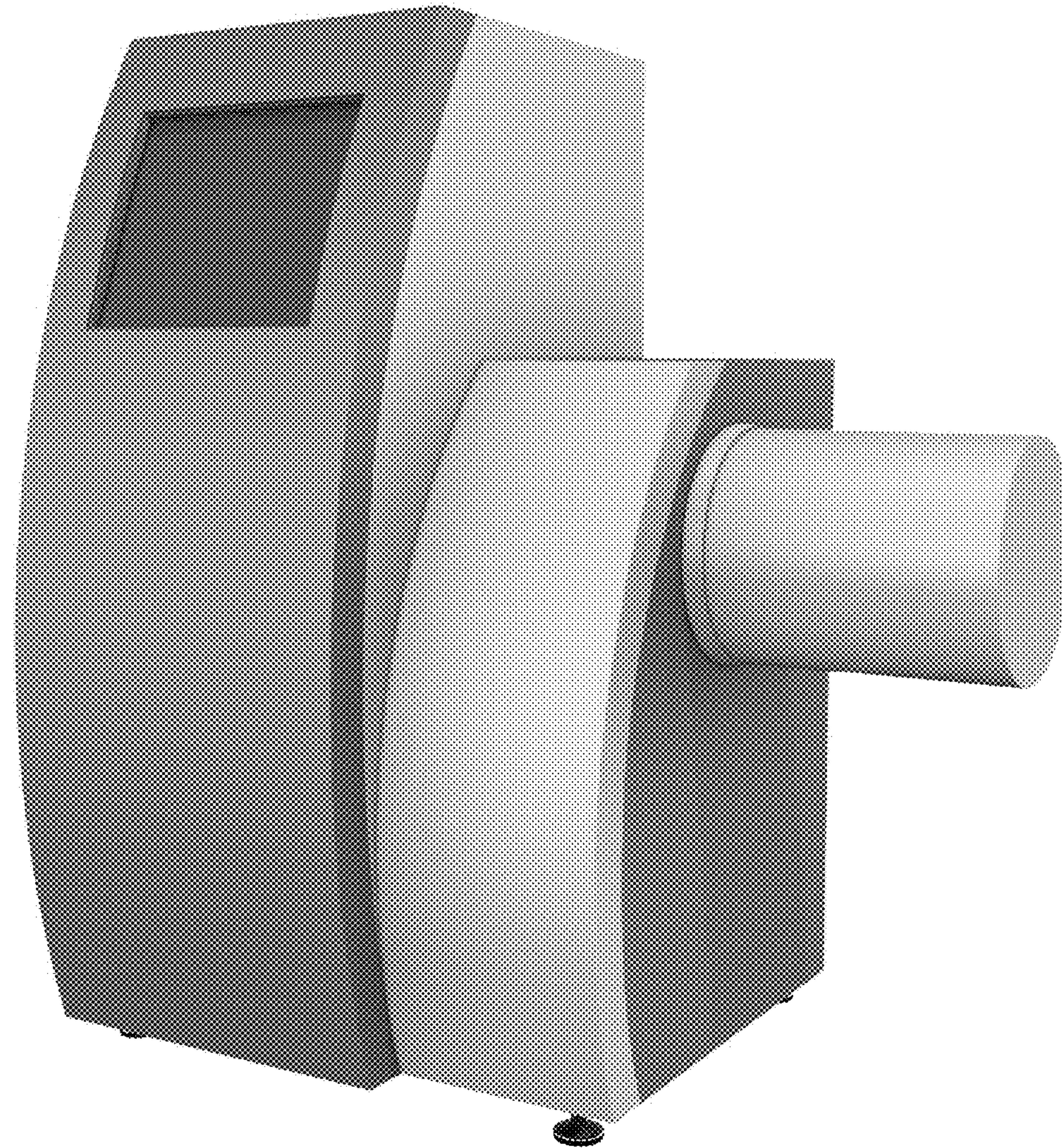


Fig. 1.1



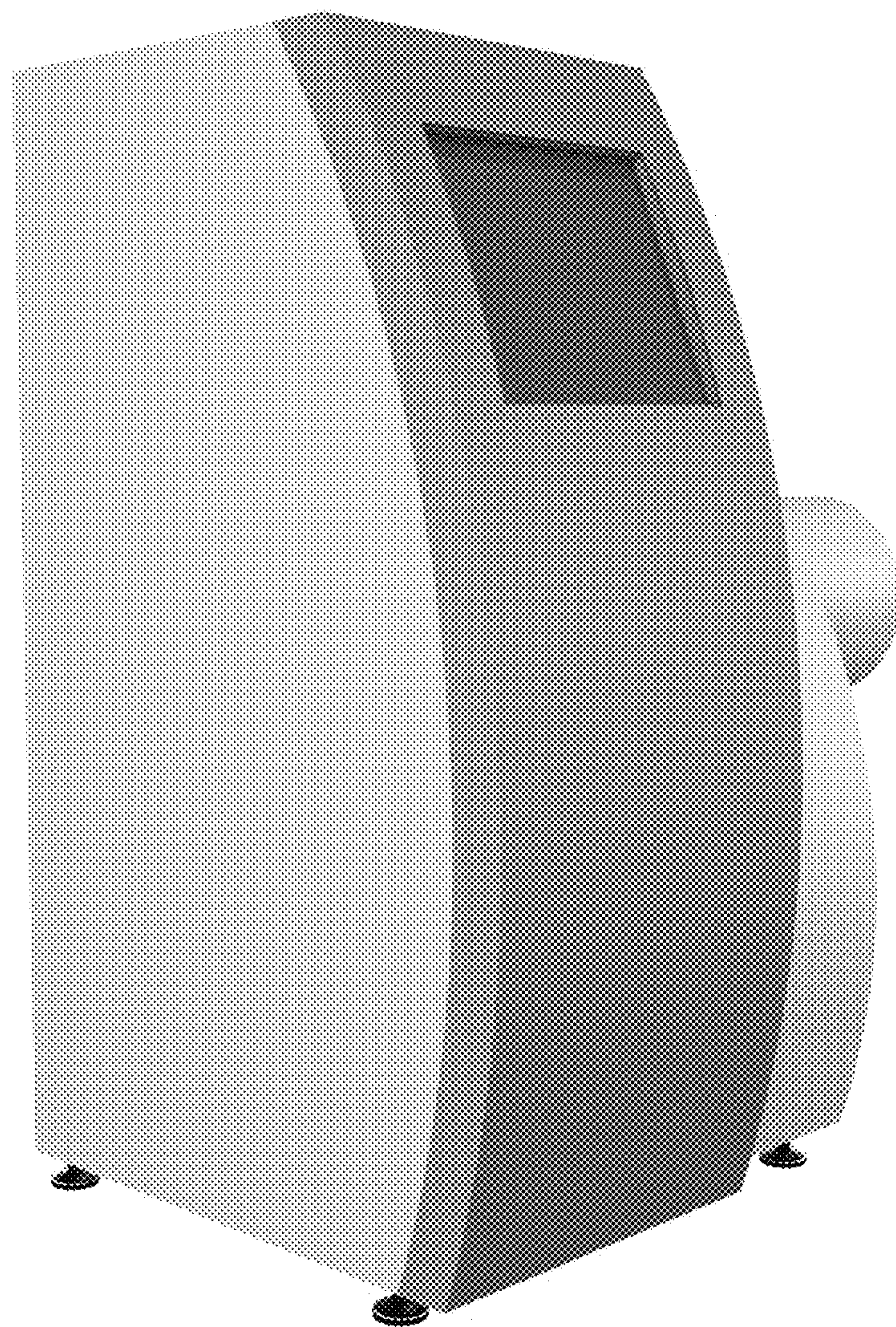


Fig. 1.2

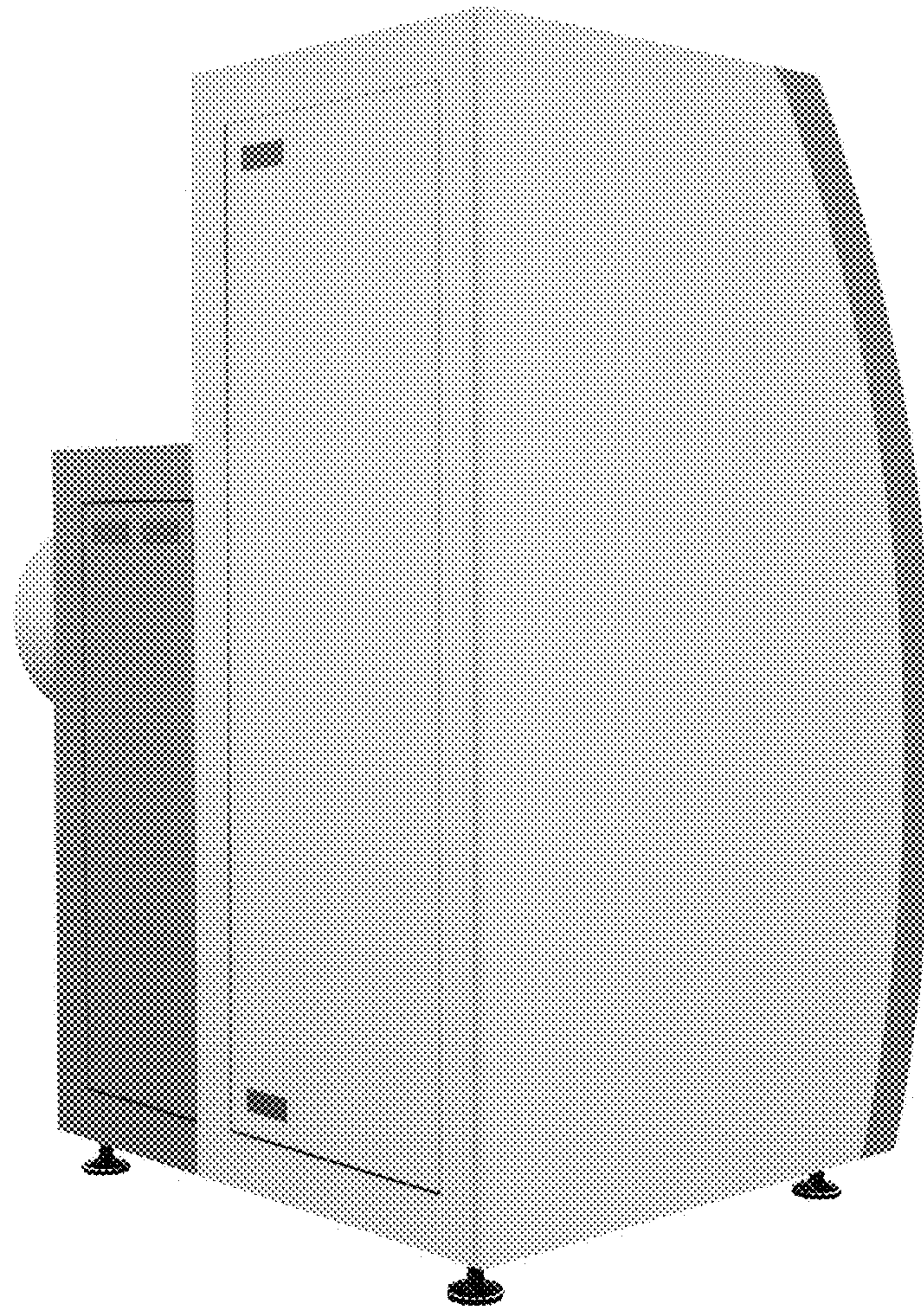


Fig. 1.3





Fig. 1.4

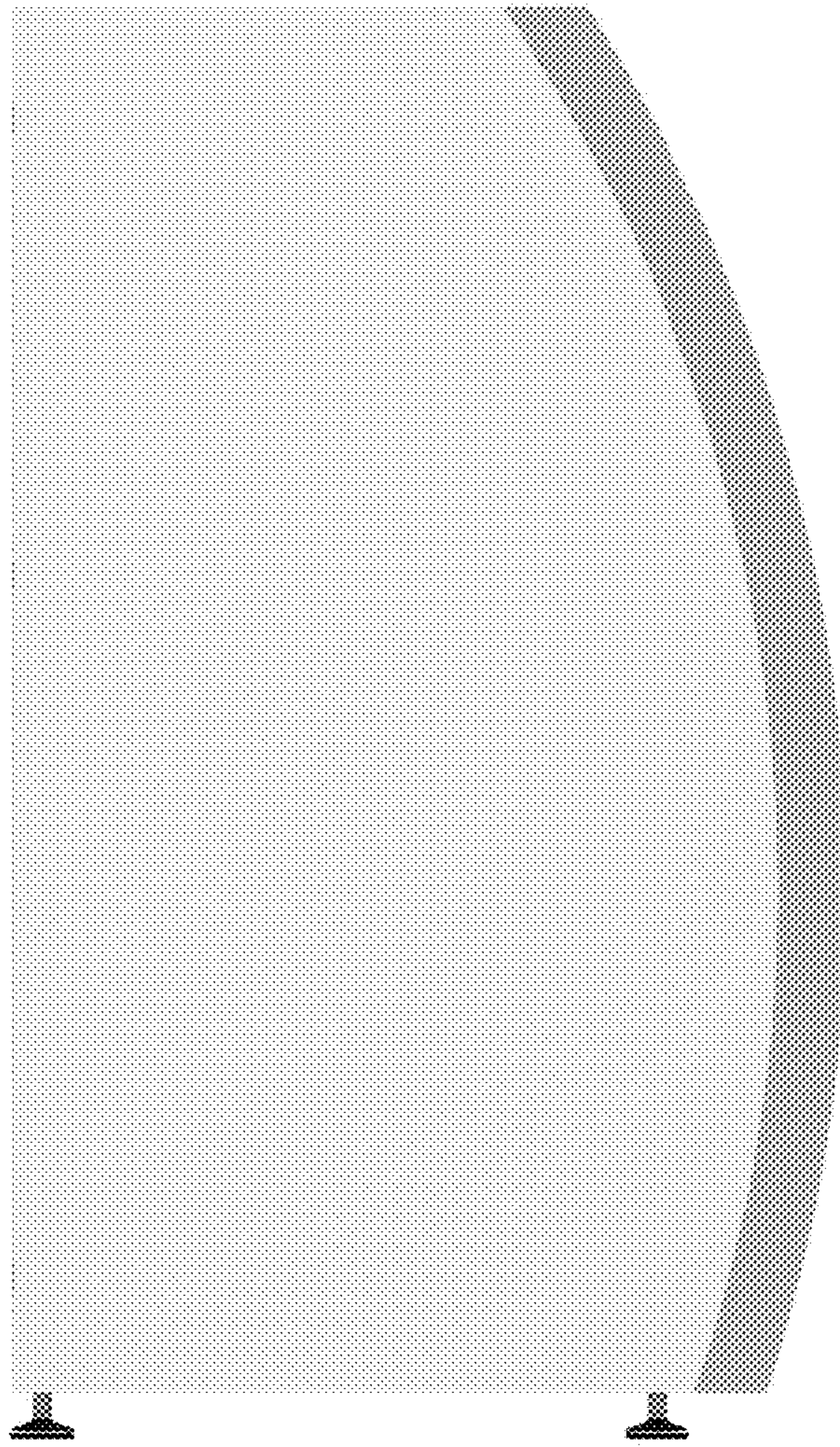


Fig. 1.5



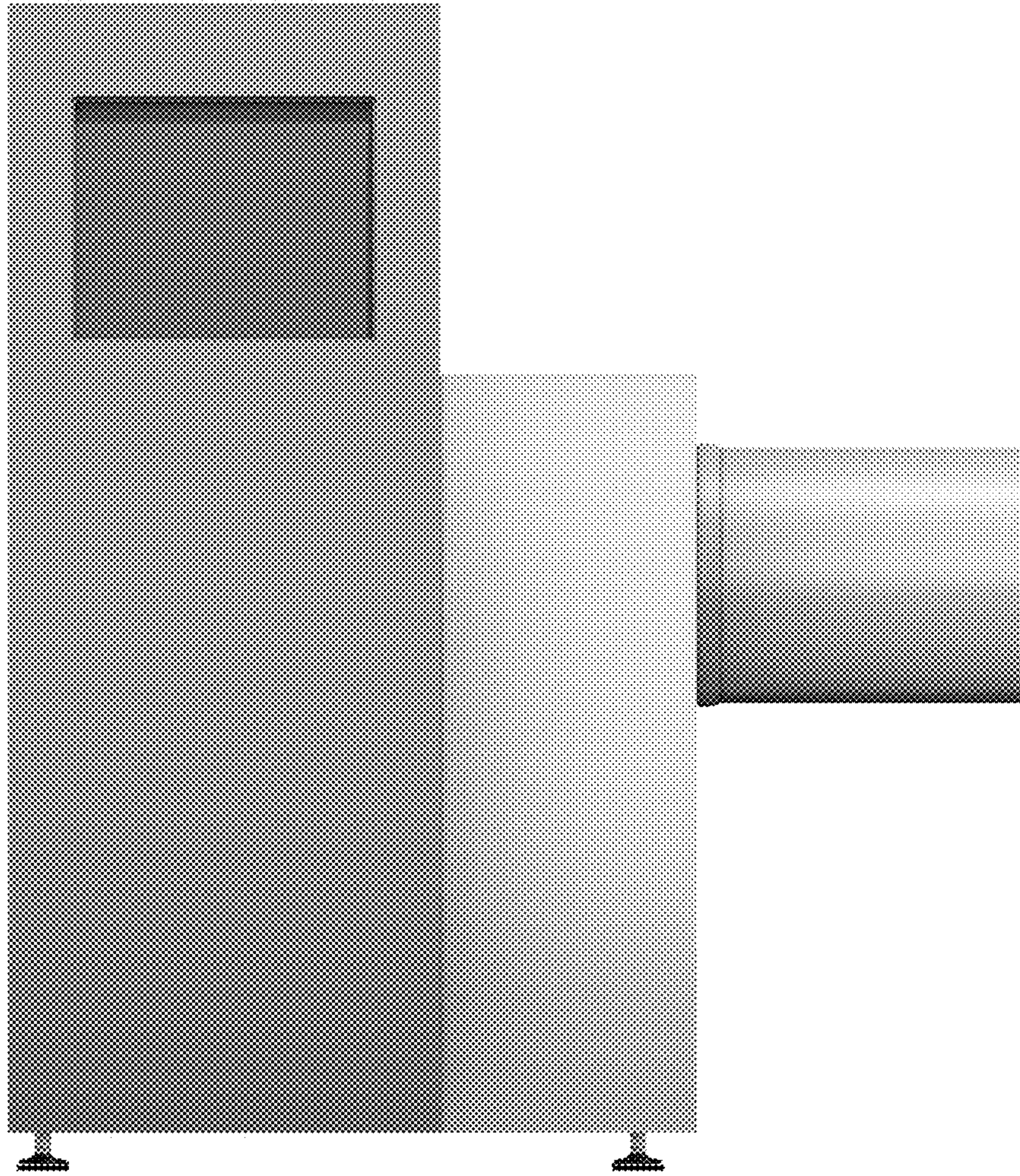


Fig. 1.6

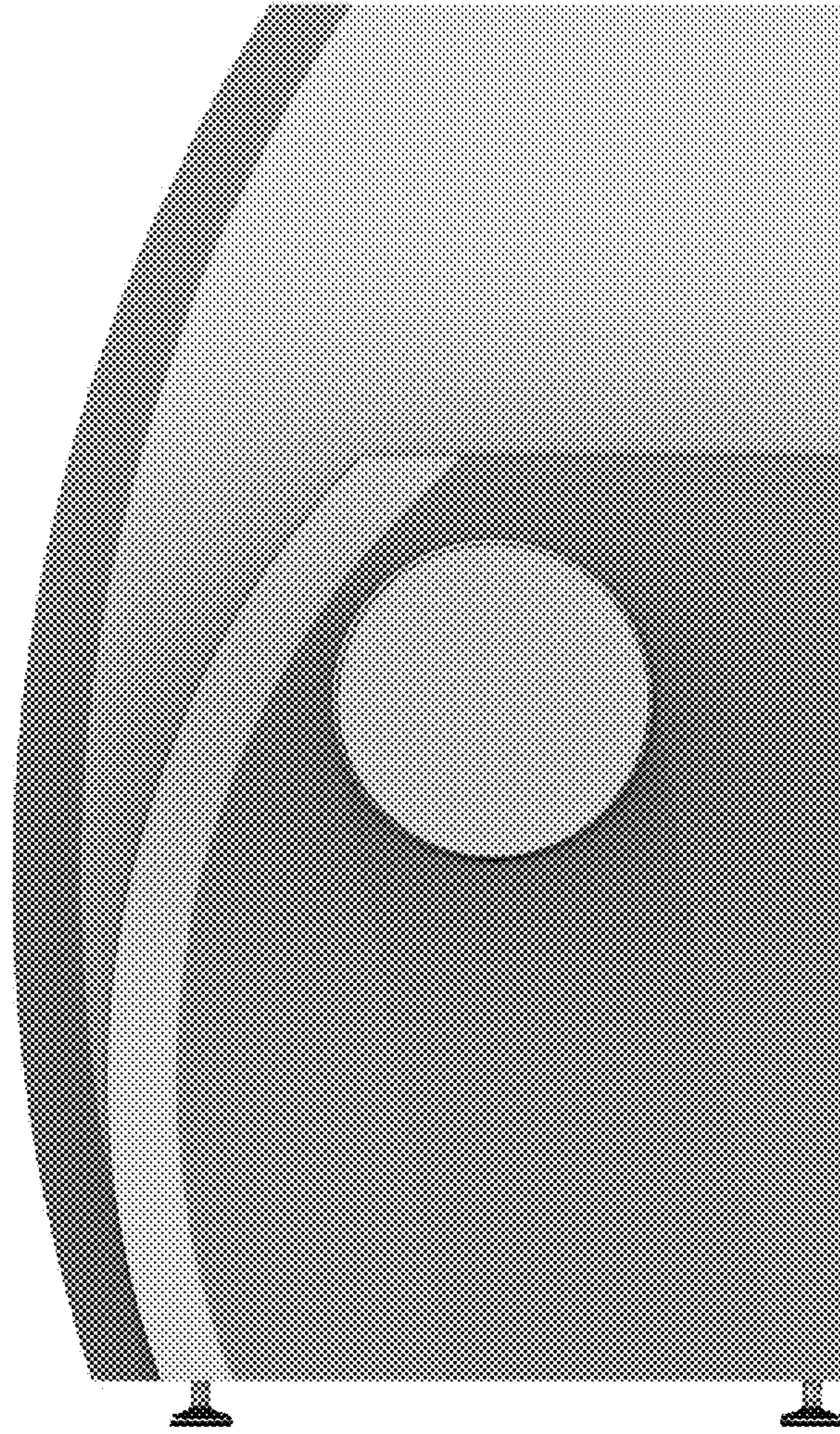


Fig. 1.7



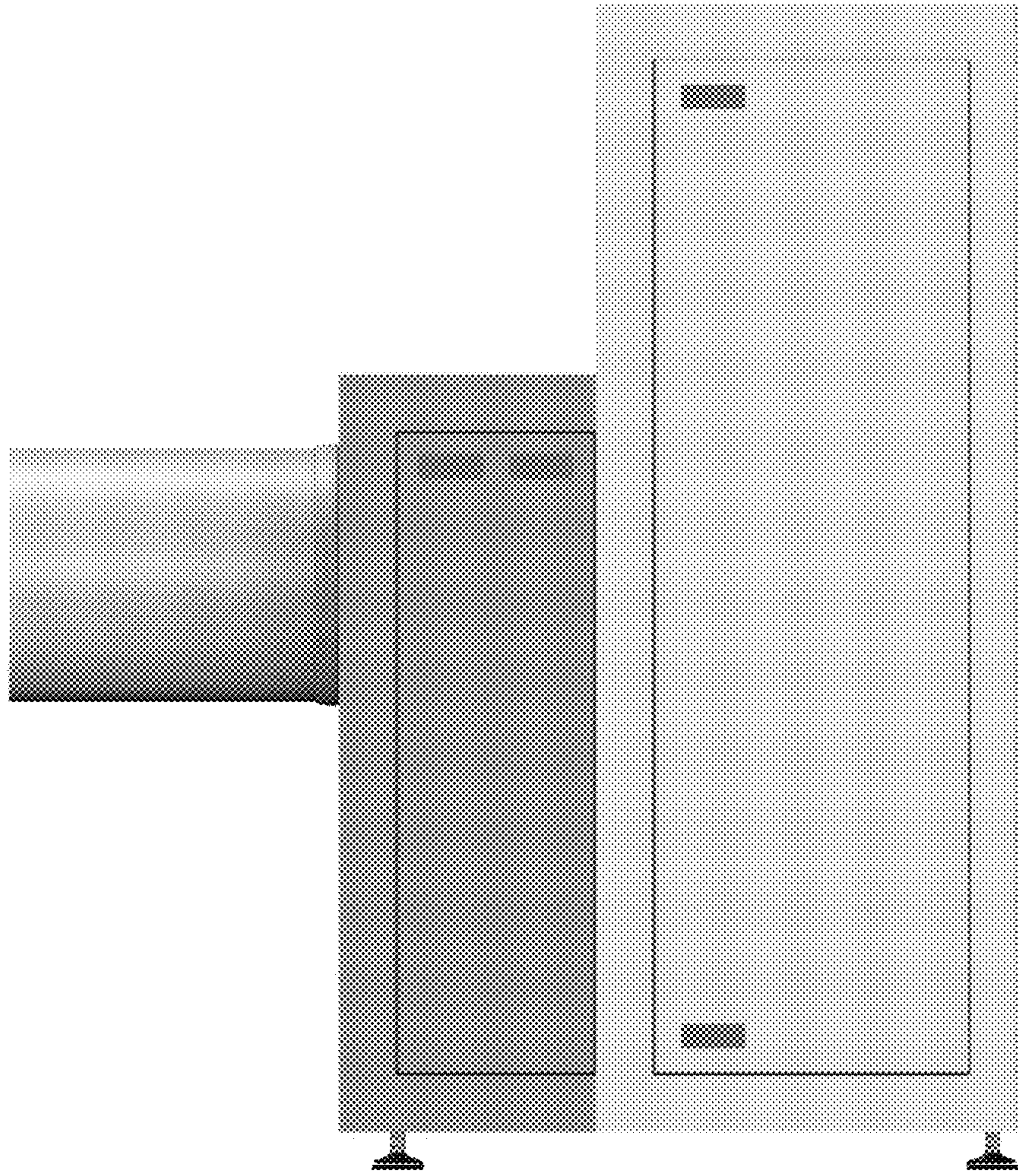


Fig. 1.8