



US00D812654S

(12) **United States Design Patent**
Brusilovski

(10) **Patent No.:** **US D812,654 S**
(45) **Date of Patent:** **** Mar. 13, 2018**

- (54) **3D PRINTING BLOCK BASE**
- (71) Applicant: **Stratasys Ltd.**, Rehovot (IL)
- (72) Inventor: **Gregory Brusilovski**, Kfar-Saba (IL)
- (73) Assignee: **Stratasys Ltd.**, Rehovot (IL)
- (**) Term: **15 Years**
- (21) Appl. No.: **29/553,008**
- (22) Filed: **Jan. 28, 2016**

7,658,976	B2	2/2010	Kritchman	
7,962,237	B2	6/2011	Kritchman	
8,781,615	B2	7/2014	Kritchman et al.	
9,031,680	B2	5/2015	Napadensky	
D739,885	S *	9/2015	Lee	D15/122
D759,980	S *	6/2016	Toth	D6/300
D765,745	S *	9/2016	Cheung	D15/122
D768,214	S *	10/2016	Cho	D15/122
D784,167	S *	4/2017	Fujiuchi	D10/102
D784,994	S *	4/2017	Fujiuchi	D14/420
D785,626	S *	5/2017	Fujiuchi	D14/420
D785,627	S *	5/2017	Fujiuchi	D14/420
D785,629	S *	5/2017	Fujiuchi	D14/420
D786,950	S *	5/2017	Armani	D15/122
2013/0040091	A1	2/2013	Dikovsky et al.	

(Continued)

(30) **Foreign Application Priority Data**

Aug. 2, 2015 (IL) 57243

(51) **LOC (11) Cl.** **15-09**

(52) **U.S. Cl.**
USPC **D15/122**

(58) **Field of Classification Search**
USPC D14/420-425; D15/122, 138, 135;
D18/55

CPC B29D 11/00663; B29D 11/00865; B29D
11/00961; B33Y 30/00; G02B 6/2553;
G02B 6/2555

See application file for complete search history.

(56) **References Cited**

U.S. PATENT DOCUMENTS

5,506,607	A *	4/1996	Sanders, Jr. B29C 67/0059 118/695
6,259,962	B1	7/2001	Gothait	
6,569,373	B2	5/2003	Napadensky	
6,658,314	B1	12/2003	Gothait	
6,850,334	B1	2/2005	Gothait	
7,183,335	B2	2/2007	Napadensky	
7,209,797	B2	4/2007	Kritchman et al.	
7,225,045	B2	5/2007	Gothait et al.	
7,300,619	B2	11/2007	Napadensky et al.	
7,364,686	B2	4/2008	Kritchman	
7,500,846	B2	3/2009	Eshed et al.	

FOREIGN PATENT DOCUMENTS

WO WO 2017/021957 2/2017

OTHER PUBLICATIONS

Official Action dated Aug. 10, 2017 From the U.S. Patent and Trademark Office Re. U.S. Appl. No. 29/553,007. (11 Pages).

Primary Examiner — Patricia A Palasik

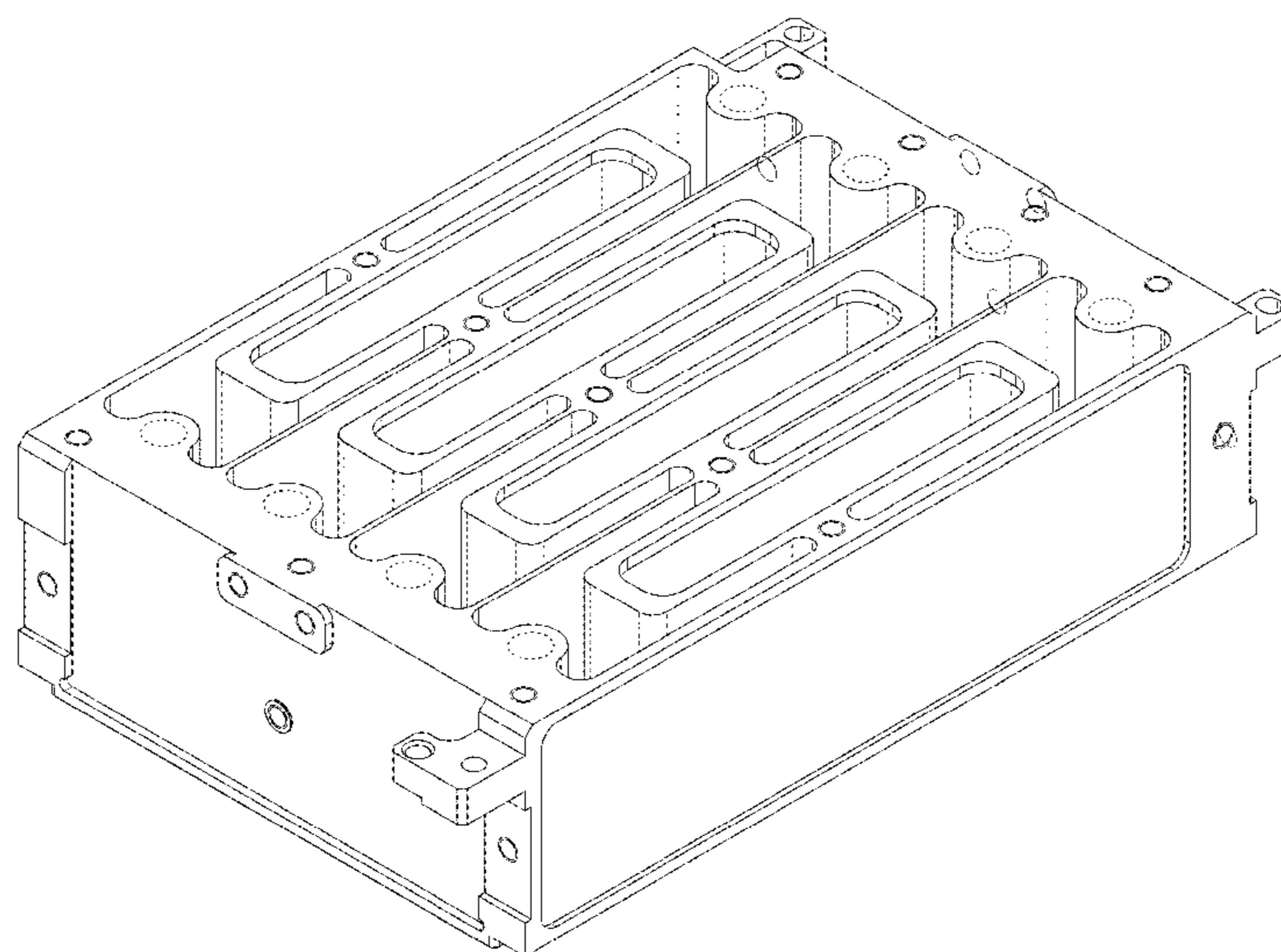
(57) **CLAIM**

The ornamental design for a 3D printing block base, as shown.

DESCRIPTION

FIG. 1 is a perspective view of a 3D printing block base; FIG. 2 is a front view thereof; FIG. 3 is a left view thereof; FIG. 4 is a right view thereof; FIG. 5 is a rear view thereof; and, FIG. 6 is a bottom view thereof. The broken lines in the drawings depict unclaimed environmental subject matter.

1 Claim, 6 Drawing Sheets



(56)

References Cited

U.S. PATENT DOCUMENTS

2013/0287933 A1* 10/2013 Kaiser B29C 67/0055
427/9
2015/0035186 A1 2/2015 Teken et al.
2015/0140147 A1* 5/2015 Konstantinos B33Y 30/00
425/131.1
2015/0352789 A1* 12/2015 Haider B29C 67/0085
264/129
2016/0052207 A1* 2/2016 Bloom B29C 67/0085
425/3
2016/0067740 A1* 3/2016 Voris B29C 67/0055
427/402
2016/0200051 A1* 7/2016 Urbanic B29C 67/0092
264/308
2016/0236409 A1* 8/2016 Armani B29C 67/0092

* cited by examiner

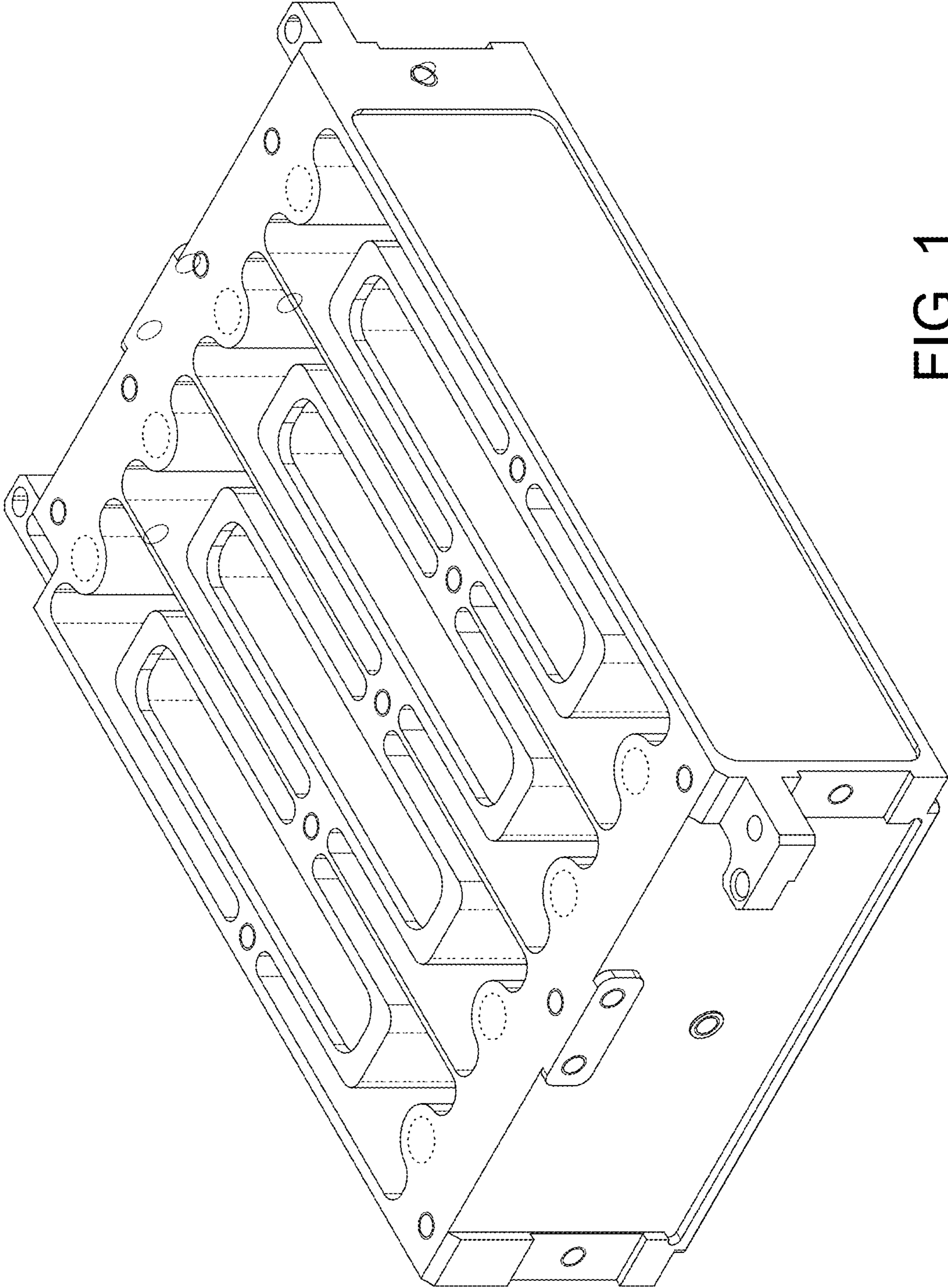


FIG. 1

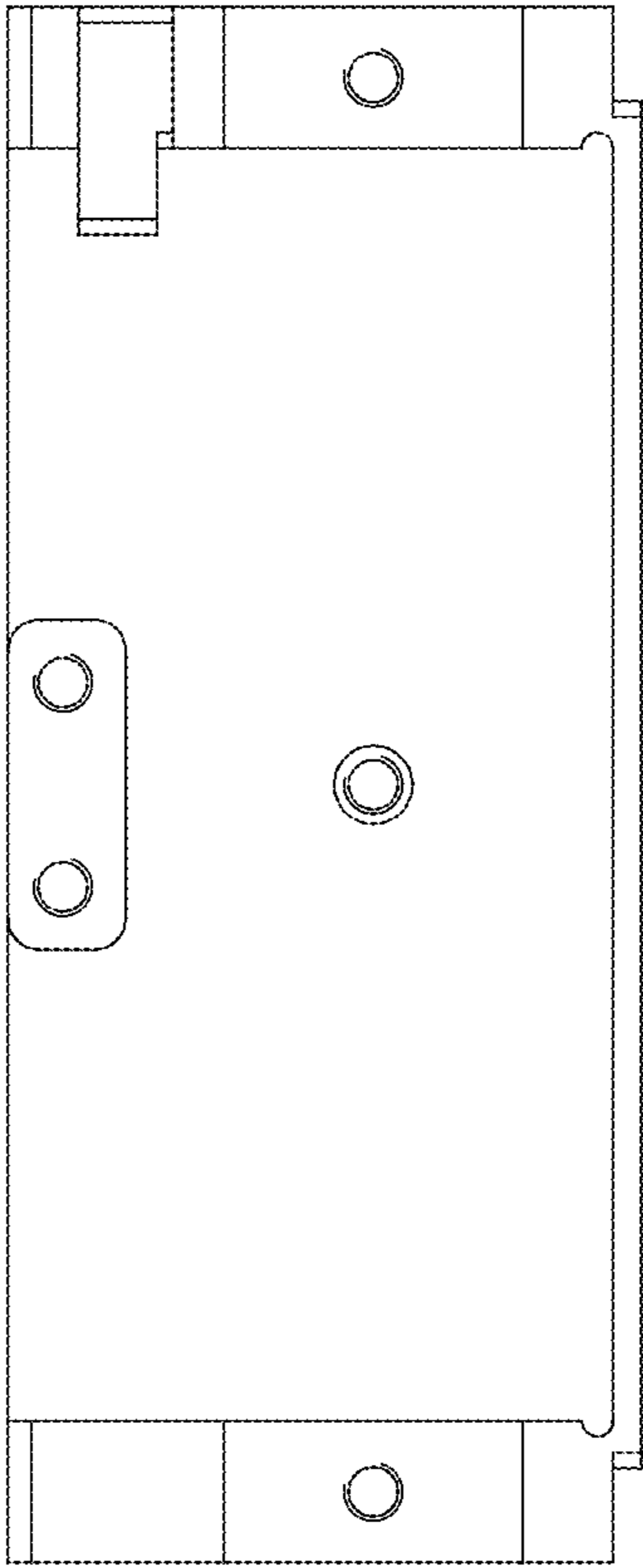


FIG. 2

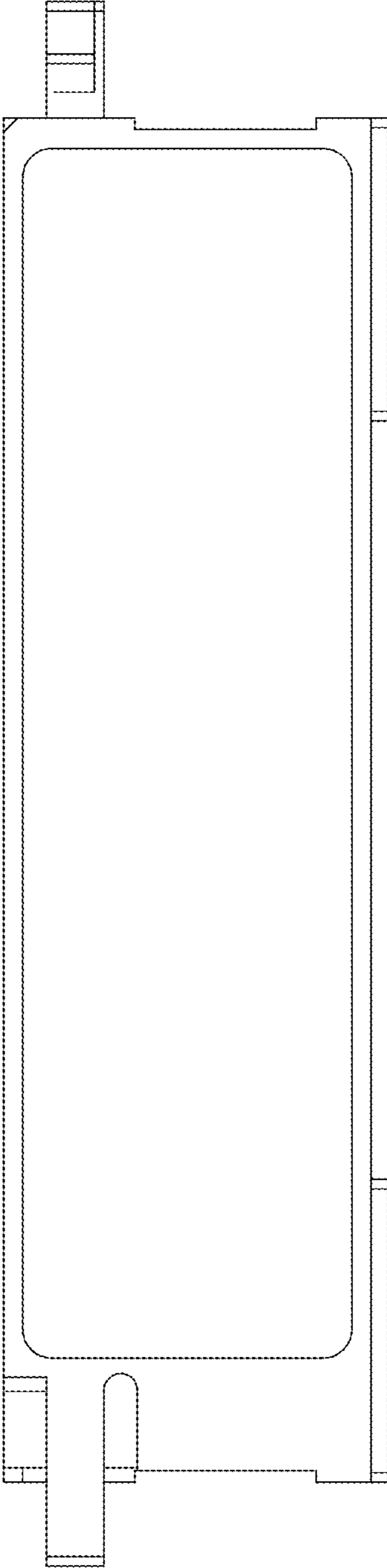


FIG. 3

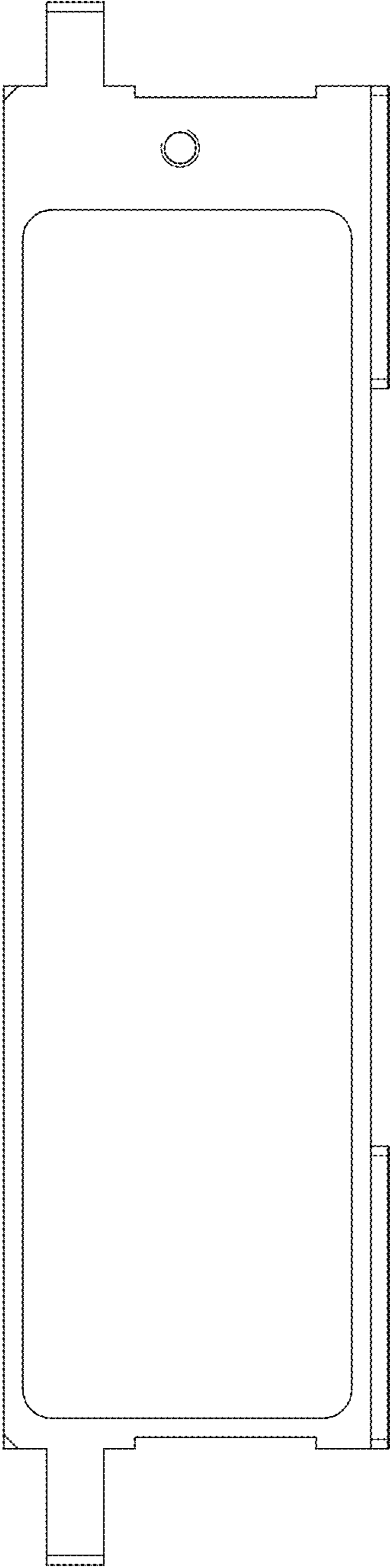


FIG. 4

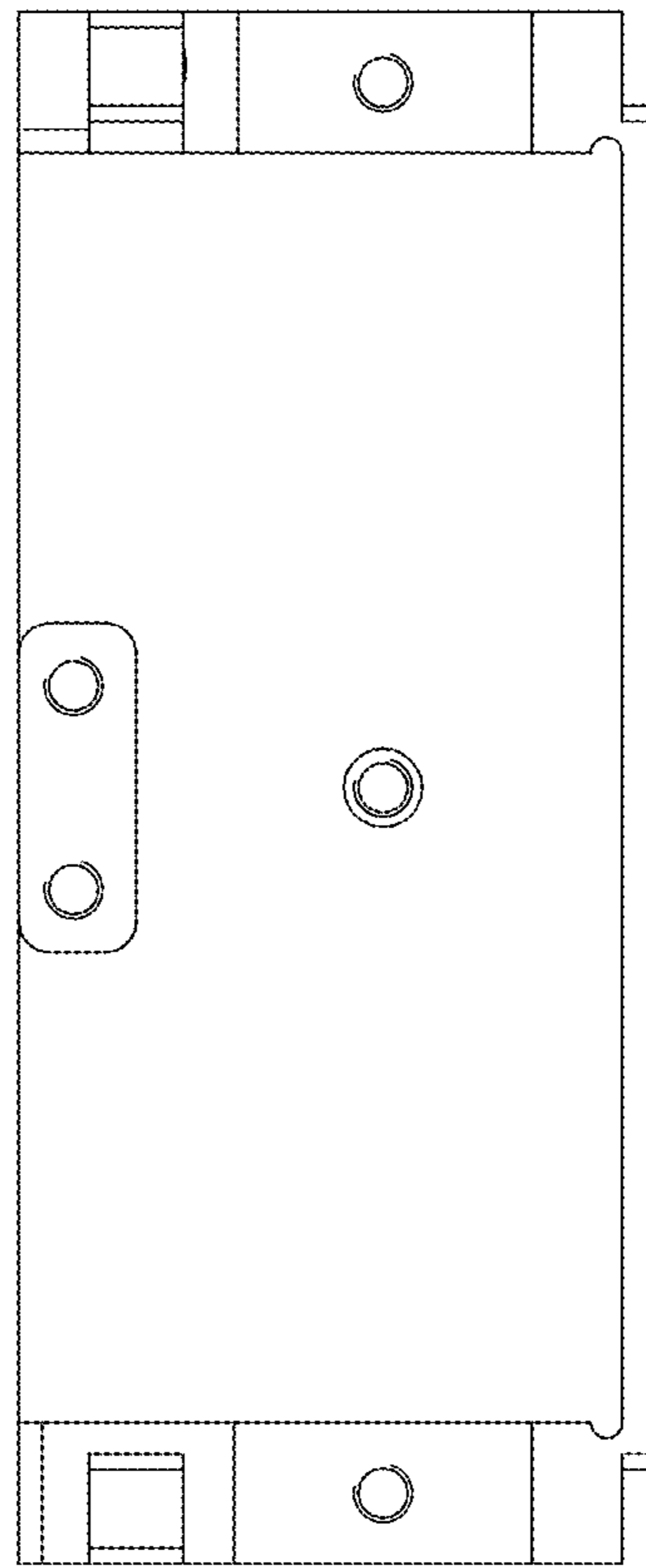


FIG. 5

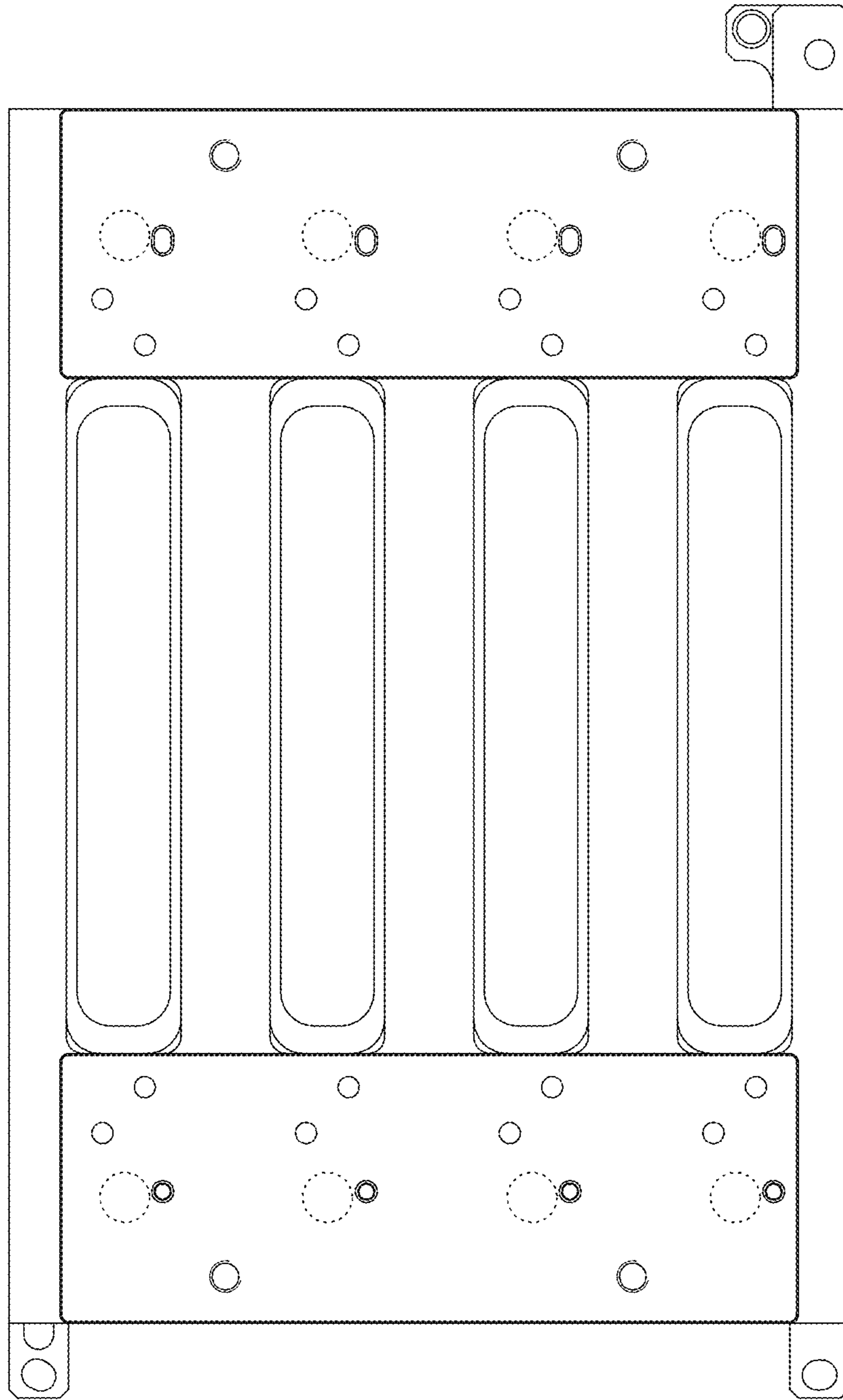


FIG. 6