

US00D812653S

(12) **United States Design Patent**
Brusilovski et al.

(10) **Patent No.:** **US D812,653 S**
(45) **Date of Patent:** **** Mar. 13, 2018**

(54) **3D PRINTING BLOCK ASSEMBLY**

(71) Applicant: **Stratasys Ltd.**, Rehovot (IL)

(72) Inventors: **Gregory Brusilovski**, Kfar-Saba (IL);
Uri Grach, MaAle Adumim (IL); **Boaz**
Max Perek, Rehovot (IL)

(73) Assignee: **Stratasys Ltd.**, Rehovot (IL)

(**) Term: **15 Years**

(21) Appl. No.: **29/553,007**

(22) Filed: **Jan. 28, 2016**

(30) **Foreign Application Priority Data**

Aug. 2, 2015 (IL) 57242

(51) **LOC (11) Cl.** **15-09**

(52) **U.S. Cl.**
USPC **D15/122**

(58) **Field of Classification Search**
USPC D14/420-425; D15/122, 138, 135;
D18/55

CPC B29D 11/00663; B29D 11/00865; B29D
11/00961; B33Y 30/00; G02B 6/2553;
G02B 6/2555

See application file for complete search history.

(56) **References Cited**

U.S. PATENT DOCUMENTS

5,506,607 A * 4/1996 Sanders, Jr. B29C 67/0059
118/695

6,259,962 B1 7/2001 Gothait
6,569,373 B2 5/2003 Napadensky
6,658,314 B1 12/2003 Gothait
6,850,334 B1 2/2005 Gothait
7,183,335 B2 2/2007 Napadensky
7,209,797 B2 4/2007 Kritchman et al.

7,225,045 B2 5/2007 Gothait et al.
7,300,619 B2 11/2007 Napadensky et al.
7,364,686 B2 4/2008 Kritchman et al.
7,500,846 B2 3/2009 Eshed et al.
7,658,976 B2 2/2010 Kritchman
7,962,237 B2 6/2011 Kritchman
8,781,615 B2 7/2014 Kritchman et al.
9,031,680 B2 5/2015 Napadensky
D739,885 S * 9/2015 Lee D15/122
D759,980 S * 6/2016 Toth D6/300
D765,745 S * 9/2016 Cheung D15/122
D768,214 S * 10/2016 Cho D15/122
D784,167 S * 4/2017 Fujiuchi D10/102
D784,994 S * 4/2017 Fujiuchi D14/420
D785,626 S * 5/2017 Fujiuchi D14/420
D785,627 S * 5/2017 Fujiuchi D14/420
D785,629 S * 5/2017 Fujiuchi D14/420
D786,950 S * 5/2017 Armani D15/122
2013/0040091 A1 2/2013 Dikovsky et al.
2013/0287933 A1 * 10/2013 Kaiser B29C 67/0055
427/9

2015/0035186 A1 2/2015 Teken et al.
(Continued)

FOREIGN PATENT DOCUMENTS

WO WO 2017/021957 2/2017

Primary Examiner — Patricia A Palasik

(57) **CLAIM**

The ornamental design for a 3D printing block assembly, as shown.

DESCRIPTION

FIG. 1 is a perspective view of a 3D printing block assembly;

FIG. 2 is a front view thereof;

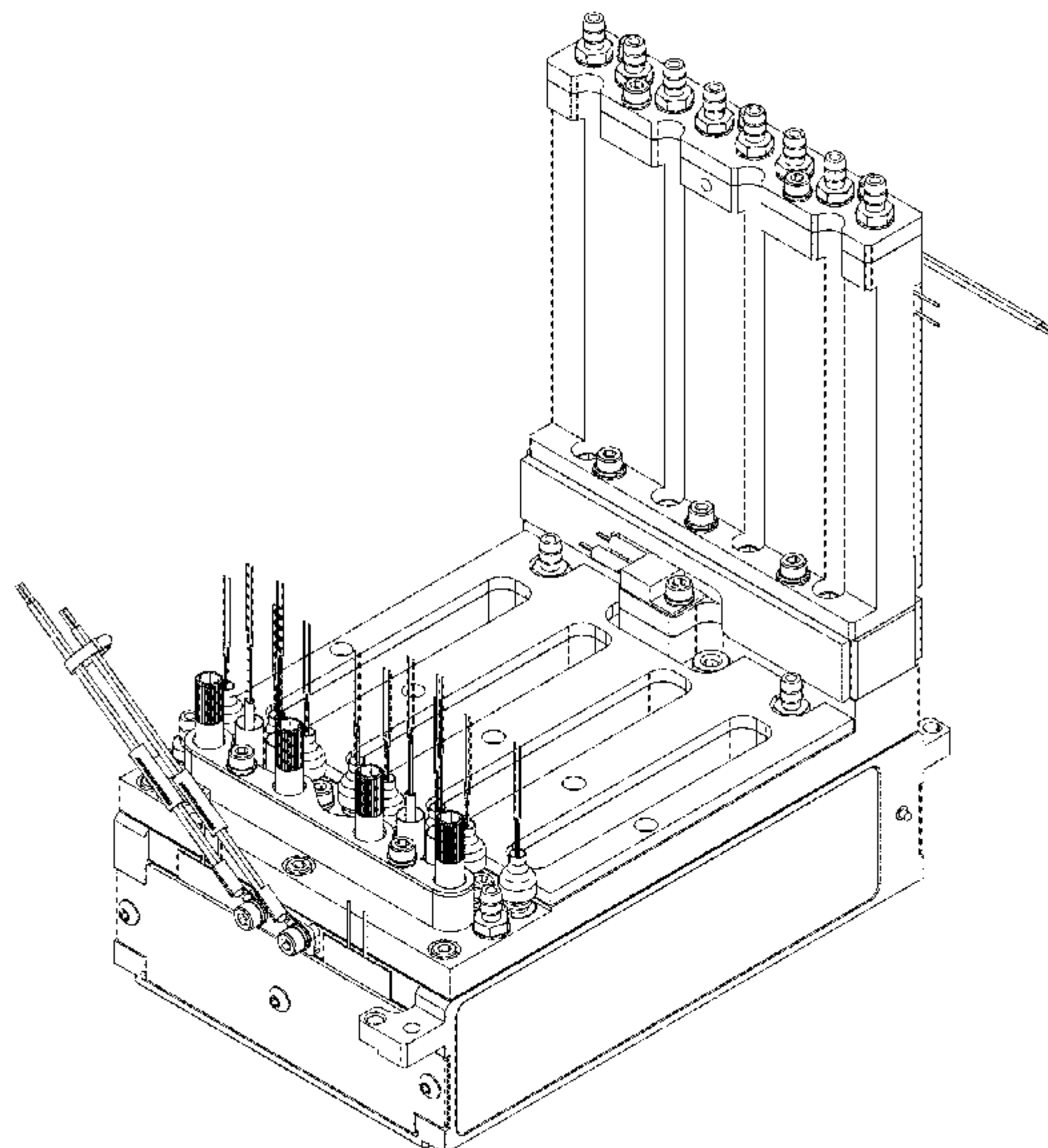
FIG. 3 is a left view thereof;

FIG. 4 is a right view thereof;

FIG. 5 is a rear view thereof; and,

FIG. 6 is a top view thereof.

1 Claim, 6 Drawing Sheets



(56)

References Cited

U.S. PATENT DOCUMENTS

2015/0140147 A1* 5/2015 Konstantinos B33Y 30/00
425/131.1
2015/0352789 A1* 12/2015 Haider B29C 67/0085
264/129
2016/0052207 A1* 2/2016 Bloom B29C 67/0085
425/3
2016/0067740 A1* 3/2016 Voris B29C 67/0055
427/402
2016/0200051 A1* 7/2016 Urbanic B29C 67/0092
264/308
2016/0236409 A1* 8/2016 Armani B29C 67/0092

* cited by examiner

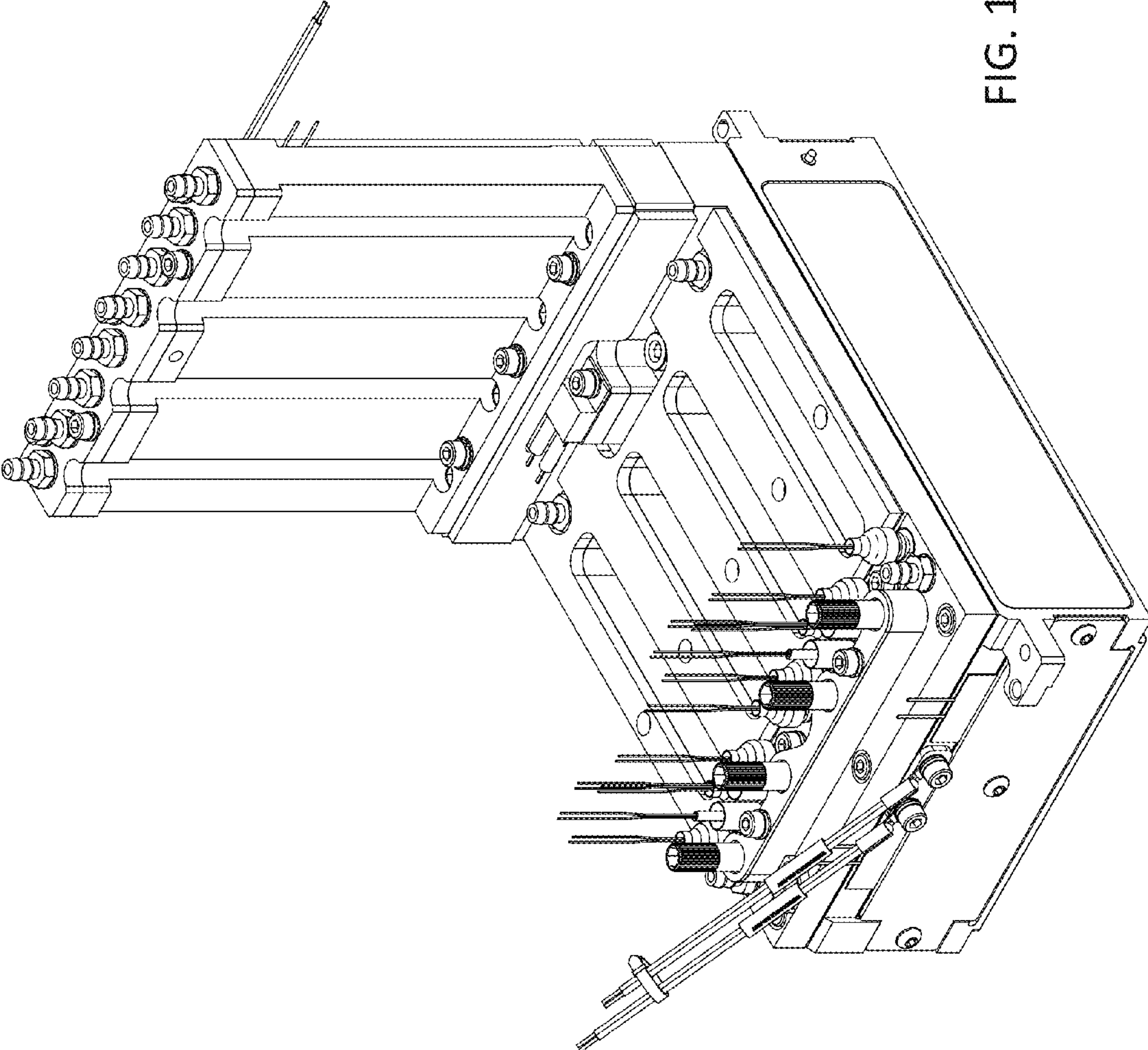


FIG. 1

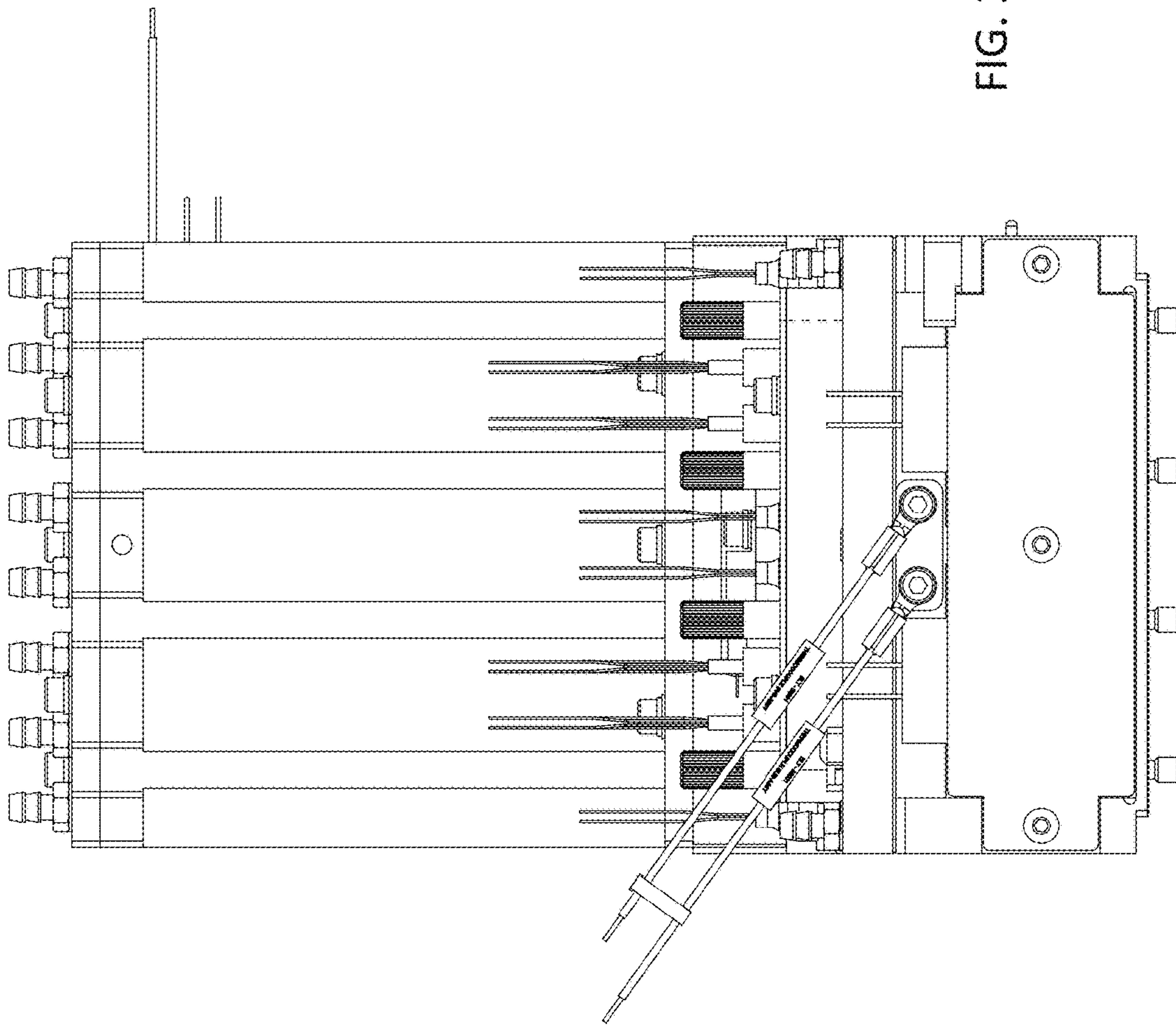


FIG. 2

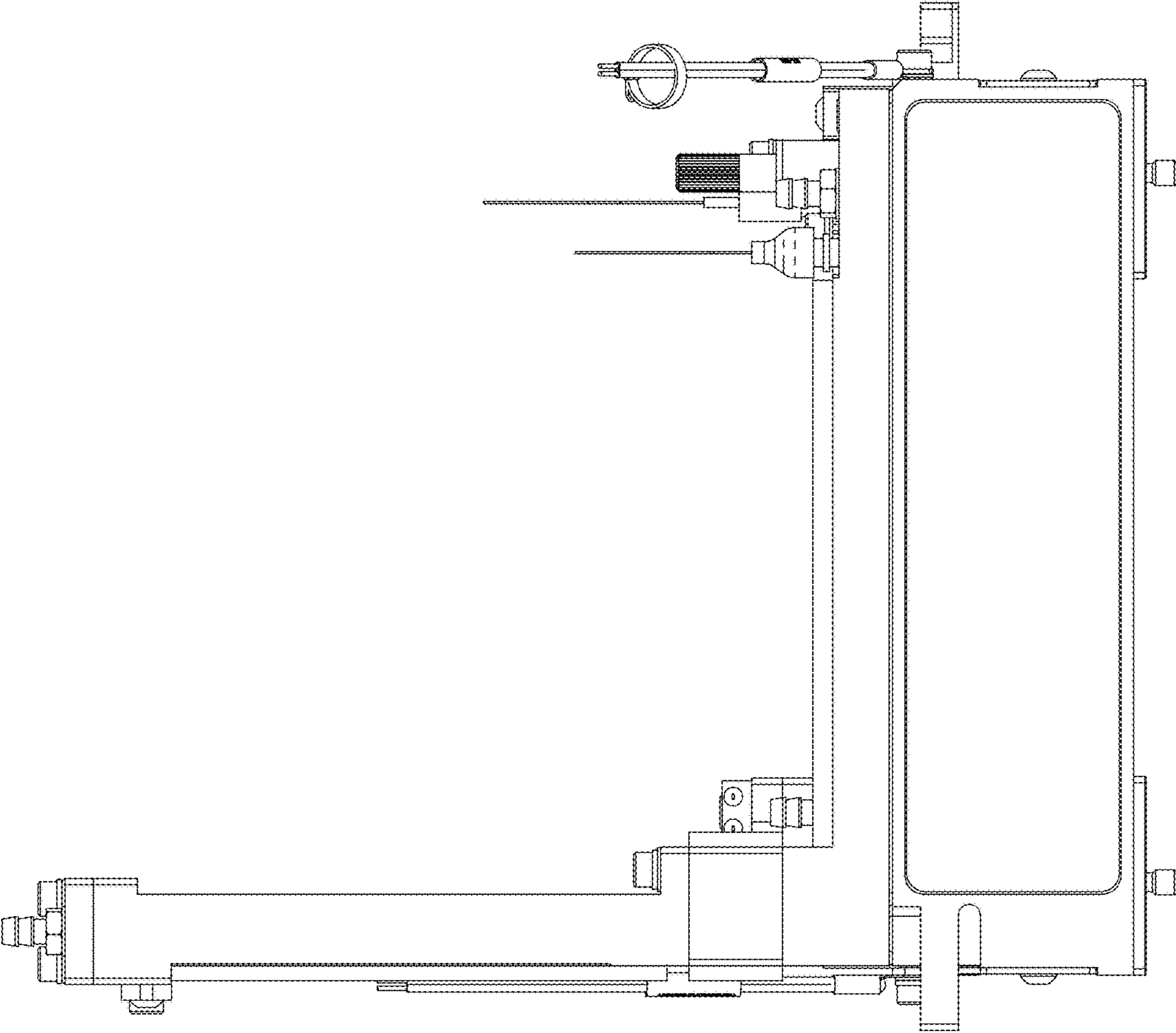


FIG. 3

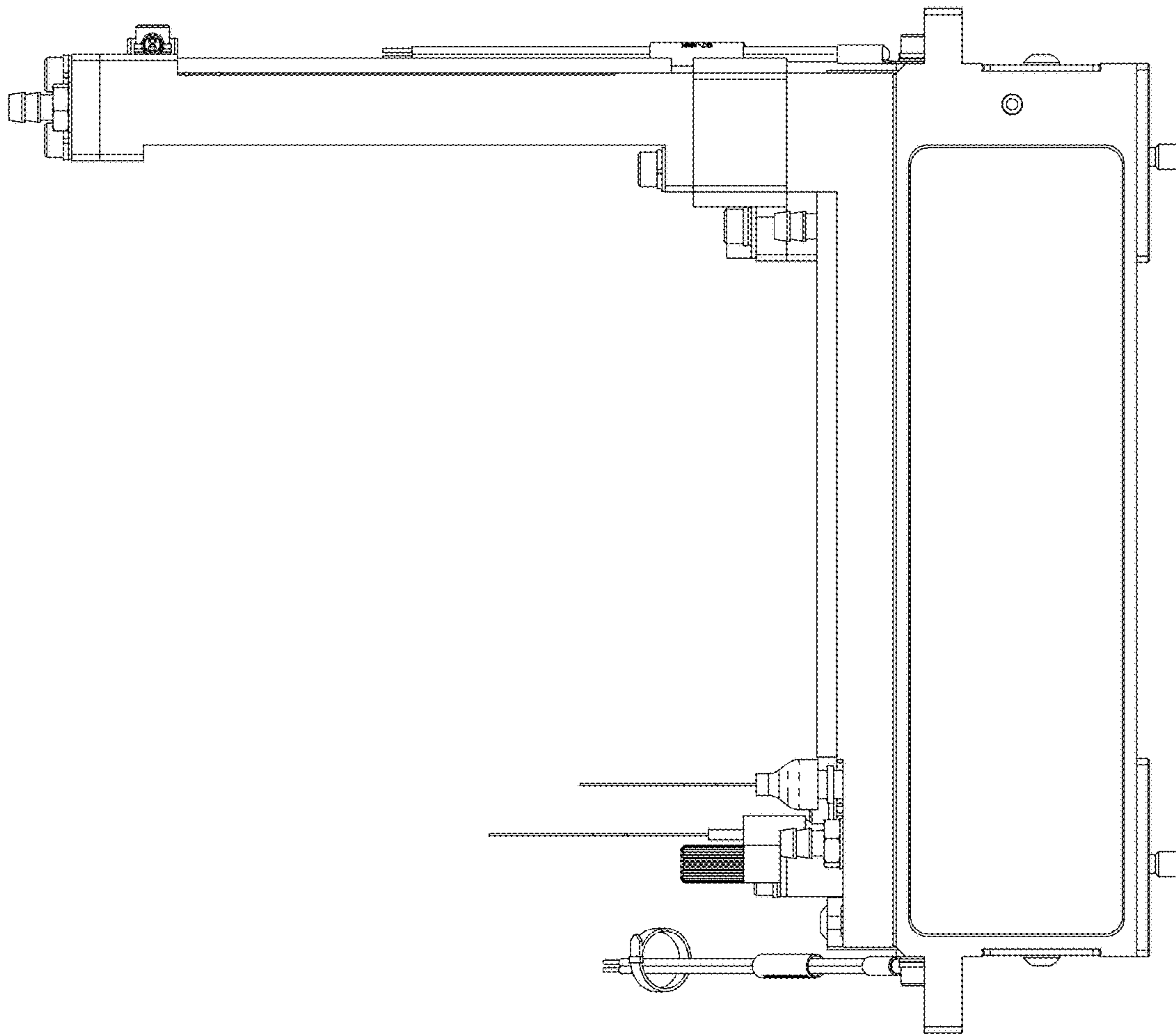


FIG. 4

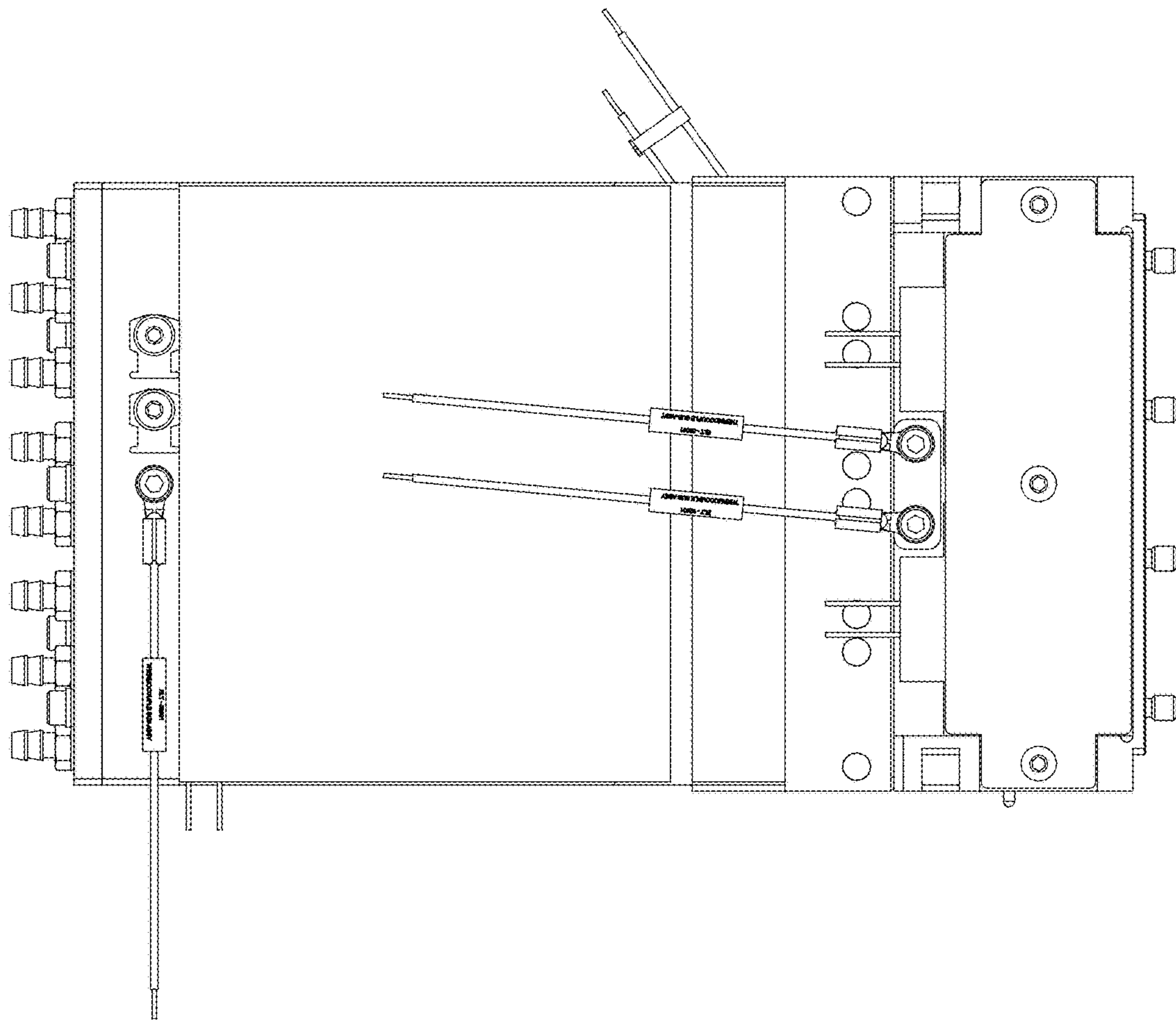


FIG. 5

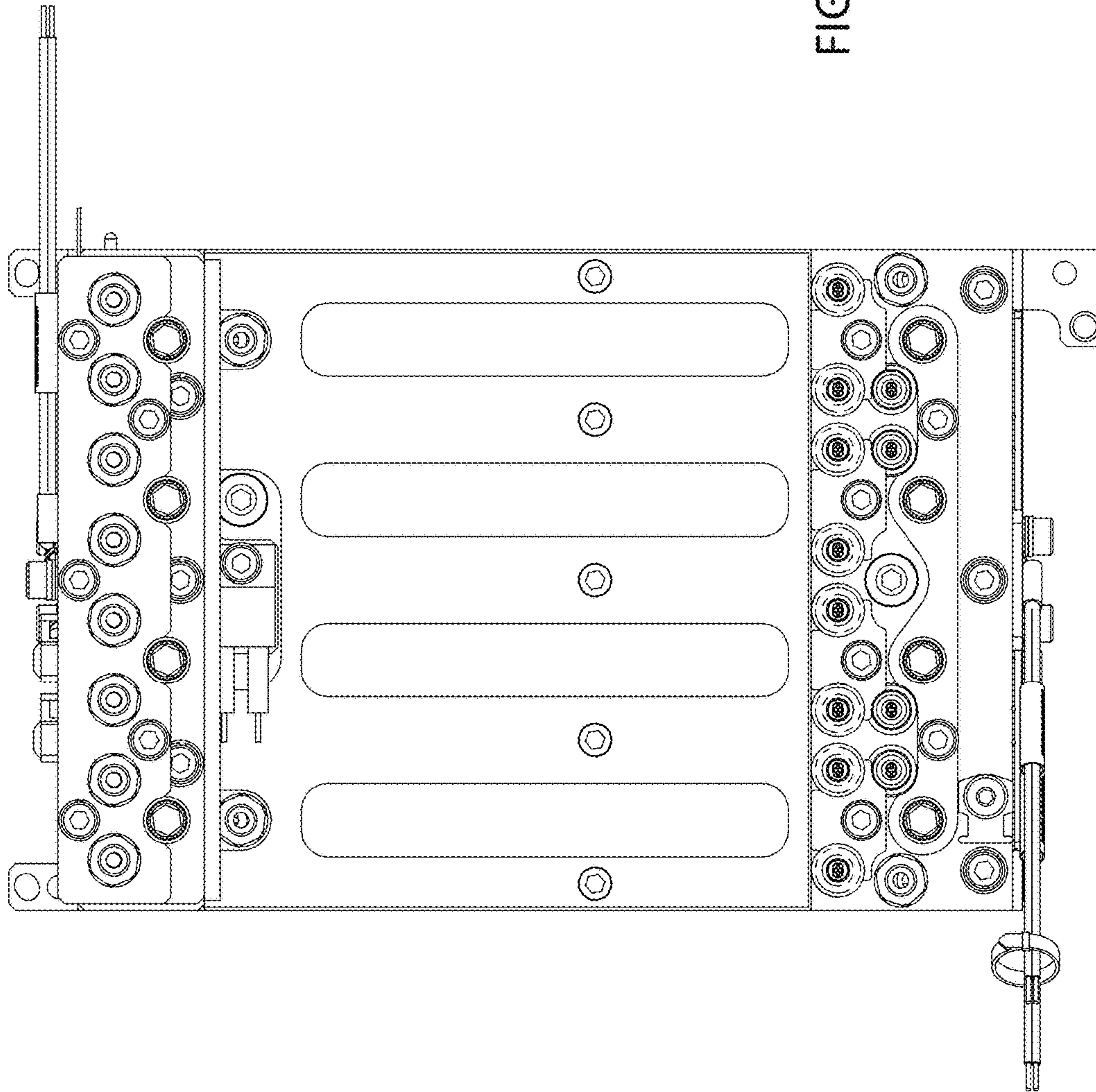


FIG. 6