



US00D812650S

(12) **United States Design Patent** (10) **Patent No.:** **US D812,650 S**  
**Kim** (45) **Date of Patent:** **\*\* Mar. 13, 2018**

(54) **REFRIGERATOR**

2317/0664; F25D 2321/147; F25D 2323/02; F25D 2323/023

(71) Applicant: **LG ELECTRONICS INC.**, Seoul (KR)

See application file for complete search history.

(72) Inventor: **Miok Kim**, Seoul (KR)

(56) **References Cited**

(73) Assignee: **LG Electronics Inc.**, Seoul (KR)

U.S. PATENT DOCUMENTS

(\*\*) Term: **15 Years**

(21) Appl. No.: **35/501,629**

D615,565 S *	5/2010	Kristiansen	.....	D15/86
D629,022 S *	12/2010	Cho	.....	D15/85
D656,967 S *	4/2012	Yi	.....	D15/86
D673,189 S *	12/2012	Kwak	.....	D15/86
D681,075 S *	4/2013	Yi	.....	D15/86
D691,644 S *	10/2013	Cho	.....	D15/86
D701,539 S *	3/2014	Saejin	.....	D15/85
D702,739 S *	4/2014	Kim	.....	D15/86
D724,629 S *	3/2015	Choi	.....	D15/85
D729,286 S *	5/2015	Kwak	.....	D15/85
D732,584 S *	6/2015	Sin	.....	D15/86

(22) Filed: **Mar. 31, 2016**

(80) **Hague Agreement Data**

Int. Filing Date: **Mar. 31, 2016**  
Int. Reg. No.: **DM/091203**  
Int. Reg. Date: **Mar. 31, 2016**  
Int. Reg. Pub. Date: **Sep. 30, 2016**

(Continued)

*Primary Examiner* — Richard E Chilcot

(74) *Attorney, Agent, or Firm* — Birch, Stewart, Kolasch & Birch, LLP

(30) **Foreign Application Priority Data**

Oct. 8, 2015 (KR) ..... 30-2015-0050854

(51) **LOC (11) Cl.** ..... **15-07**

(52) **U.S. Cl.**

USPC ..... **D15/91**  
CPC ..... **F25D 25/025** (2013.01)

(58) **Field of Classification Search**

USPC ..... D15/79-91  
CPC ..... F25D 25/025; F25D 23/028; F25D 2323/024; F25D 23/00; F25D 23/02; F25D 2323/021; F25D 23/065; F25D 11/00; F25D 2201/14; F25D 23/021; F25D 23/025; F25D 23/04; F25D 27/00; F25D 23/062; F25D 23/067; F25D 2400/18; F25D 23/08; F25D 23/085; F25D 2500/02; F25D 25/00; F25D 25/005; F25D 25/022; F25D 25/024; F25D 17/047; F25D 2317/041; F25D 2317/04131; F25D 2317/043; F25D

(57) **CLAIM**

The ornamental design for a refrigerator, as shown and described.

**DESCRIPTION**

1. Refrigerator

**1.1** is a perspective view of a refrigerator showing my new design;

**1.2** is a front elevation view thereof;

**1.3** is a rear elevation view thereof;

**1.4** is a left-side elevation view thereof;

**1.5** is a right-side elevation view thereof;

**1.6** is a top plan view thereof;

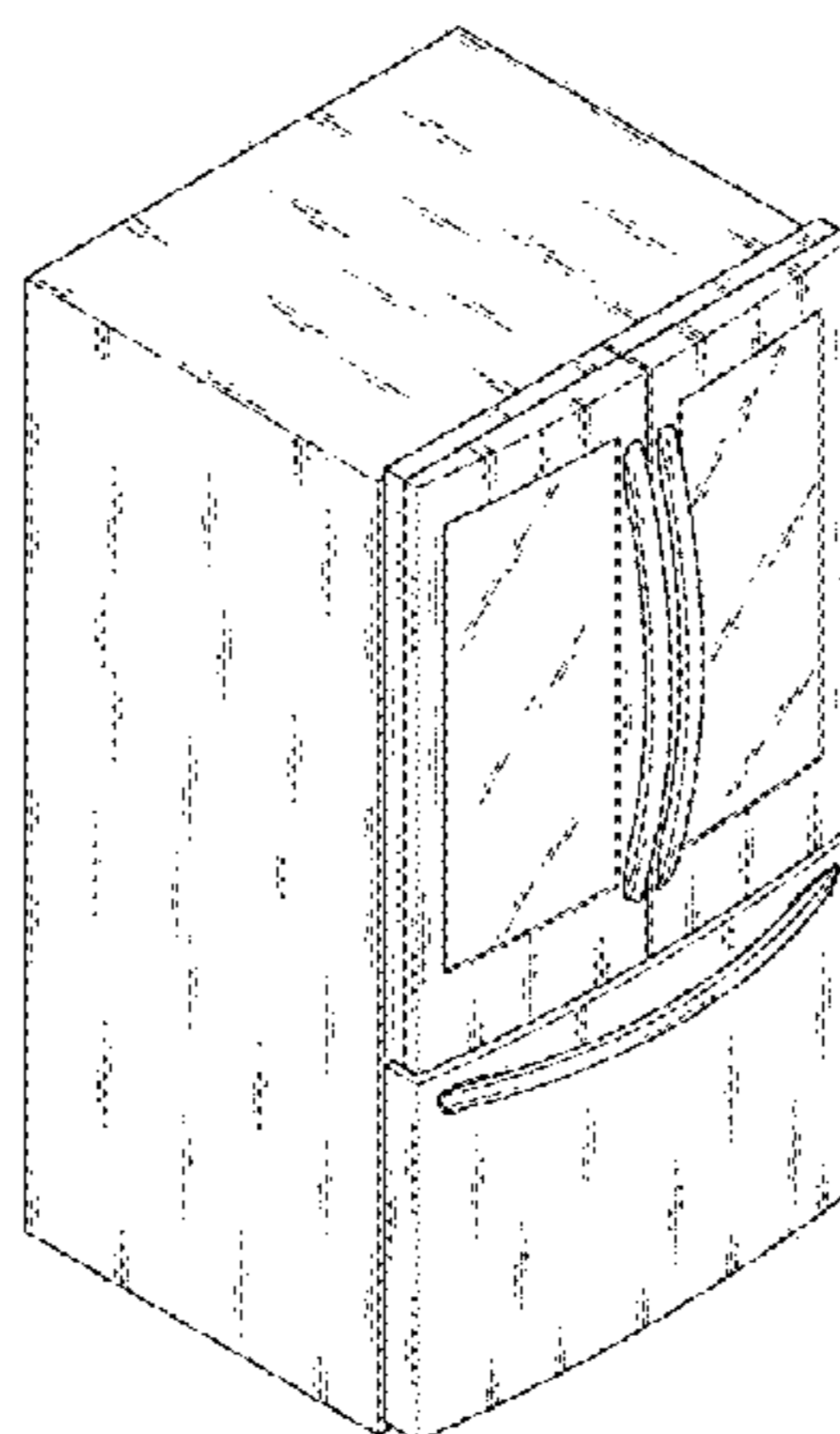
**1.7** is a bottom plan view thereof;

**1.8** is another perspective view thereof, wherein the inside of each outer door is seen through a 'see-through' type of window.

**1.9** is another perspective view thereof, wherein each outer door is in an opened position; and

**1.10** is another perspective view thereof, wherein each of the inner and outer doors is in an opened position.

(Continued)



The broken lines shown are included for the purpose of illustrating unclaimed portions of the refrigerator and form no part of the claimed design.

**1 Claim, 9 Drawing Sheets**

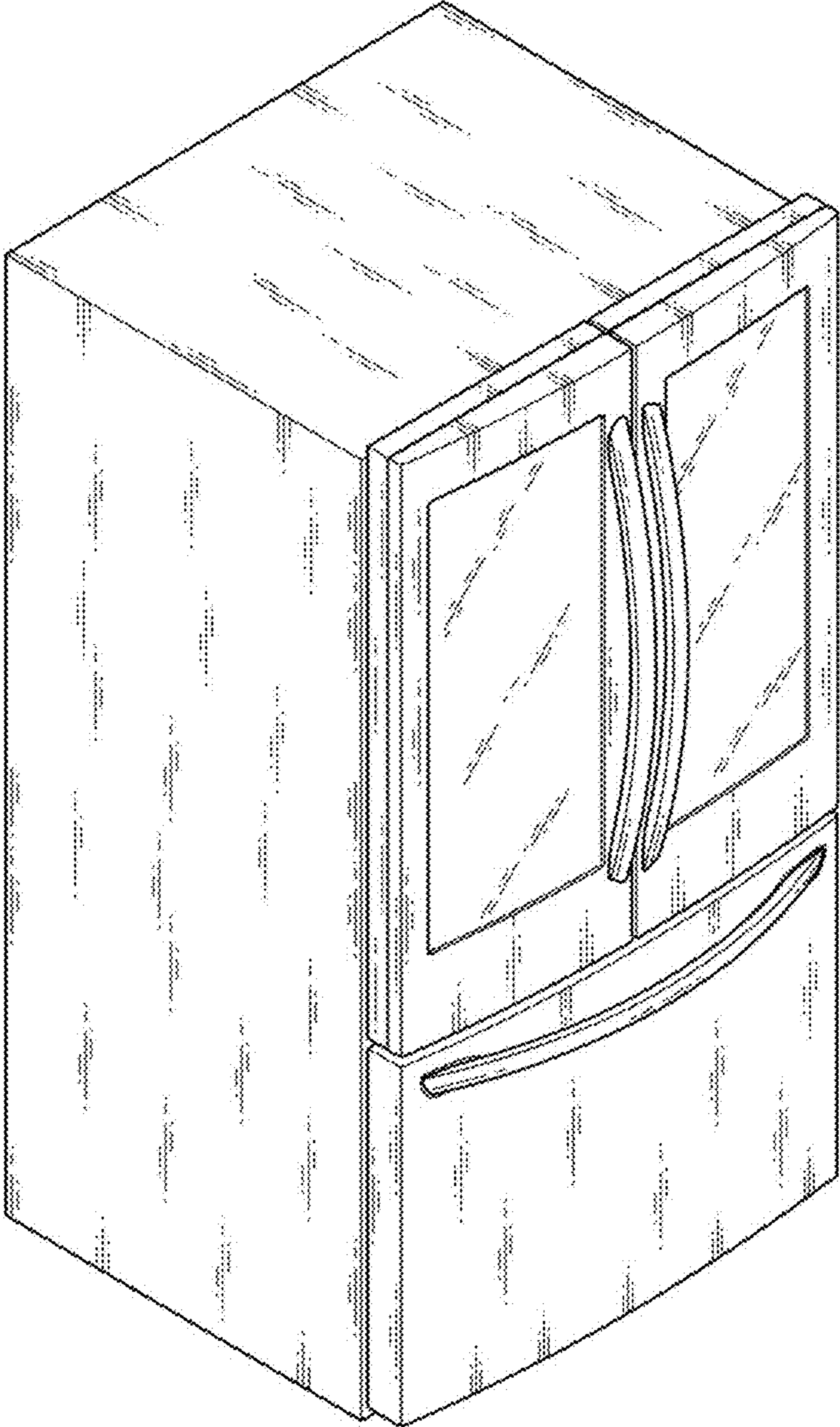
(56) **References Cited**

U.S. PATENT DOCUMENTS

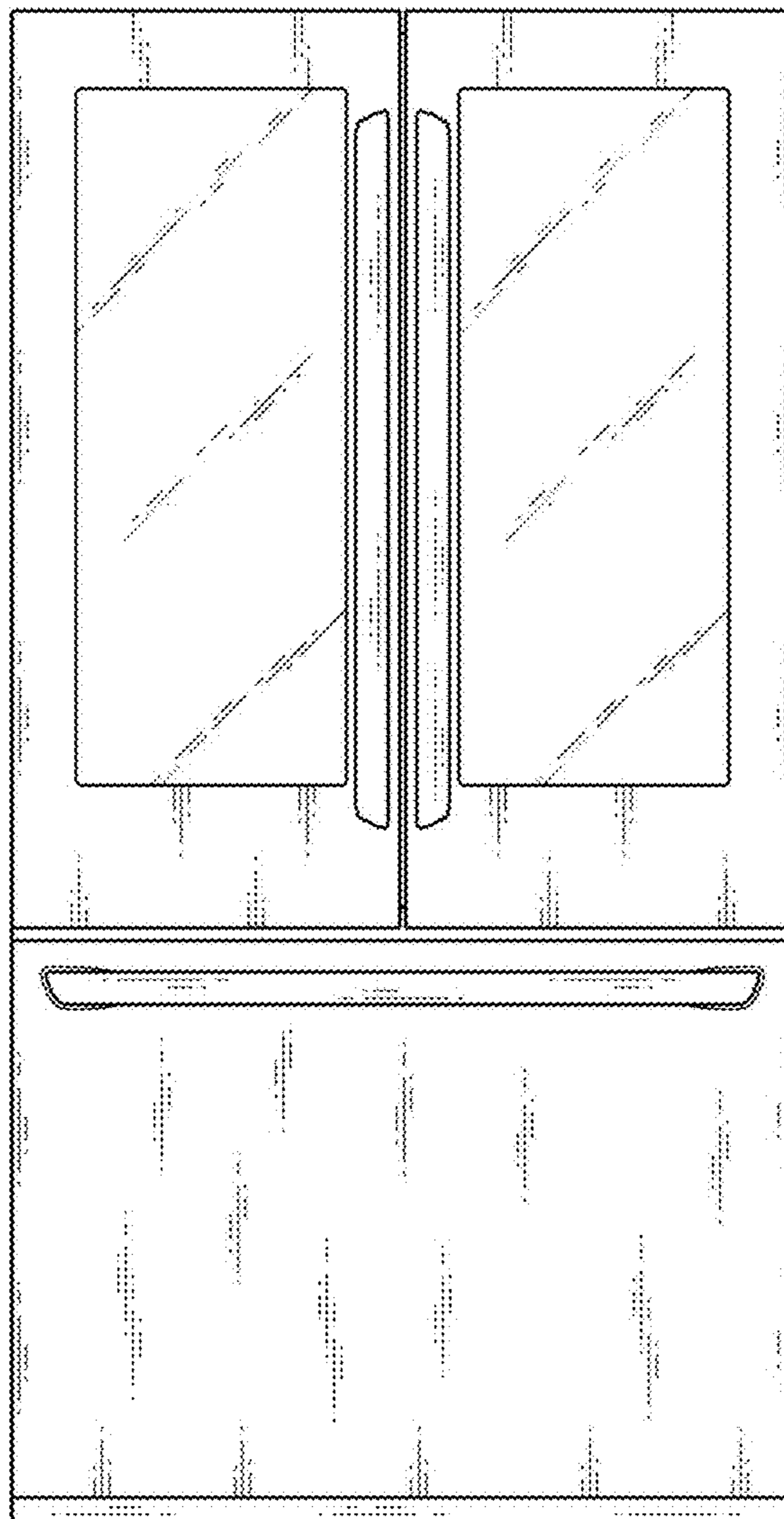
D742,434 S	*	11/2015	Yeo .....	D15/86
D760,820 S		7/2016	Lee et al.	
D760,821 S		7/2016	Lee	
D760,822 S		7/2016	Lee	
D760,823 S		7/2016	Lee et al.	
D760,824 S		7/2016	Lee	
D761,336 S		7/2016	Lee et al.	
D767,648 S	*	9/2016	Shoemaker .....	D15/86
D780,815 S		3/2017	Seo et al.	
D788,193 S		5/2017	Seo et al.	
D788,194 S		5/2017	Kwak et al.	

\* cited by examiner

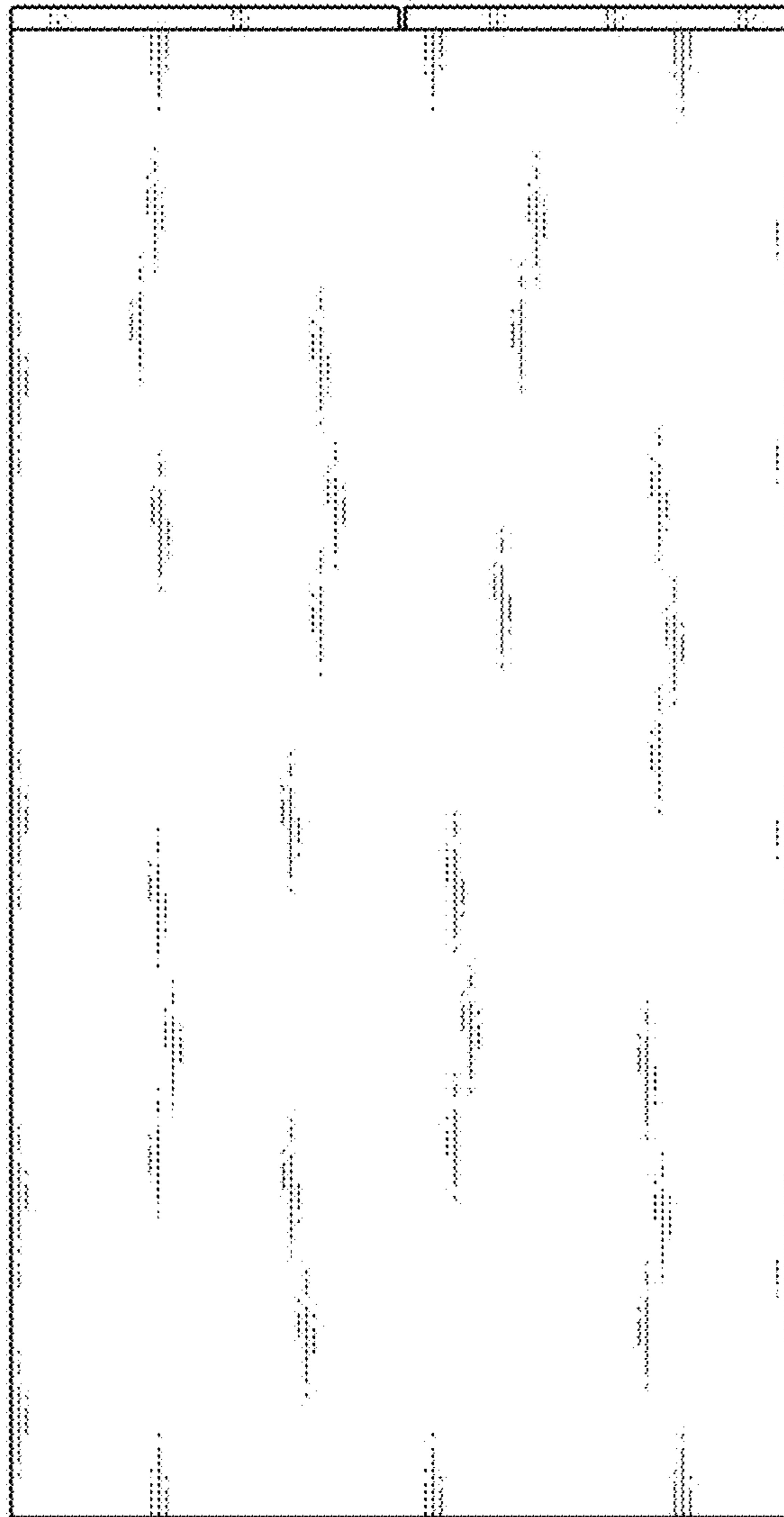
1.1



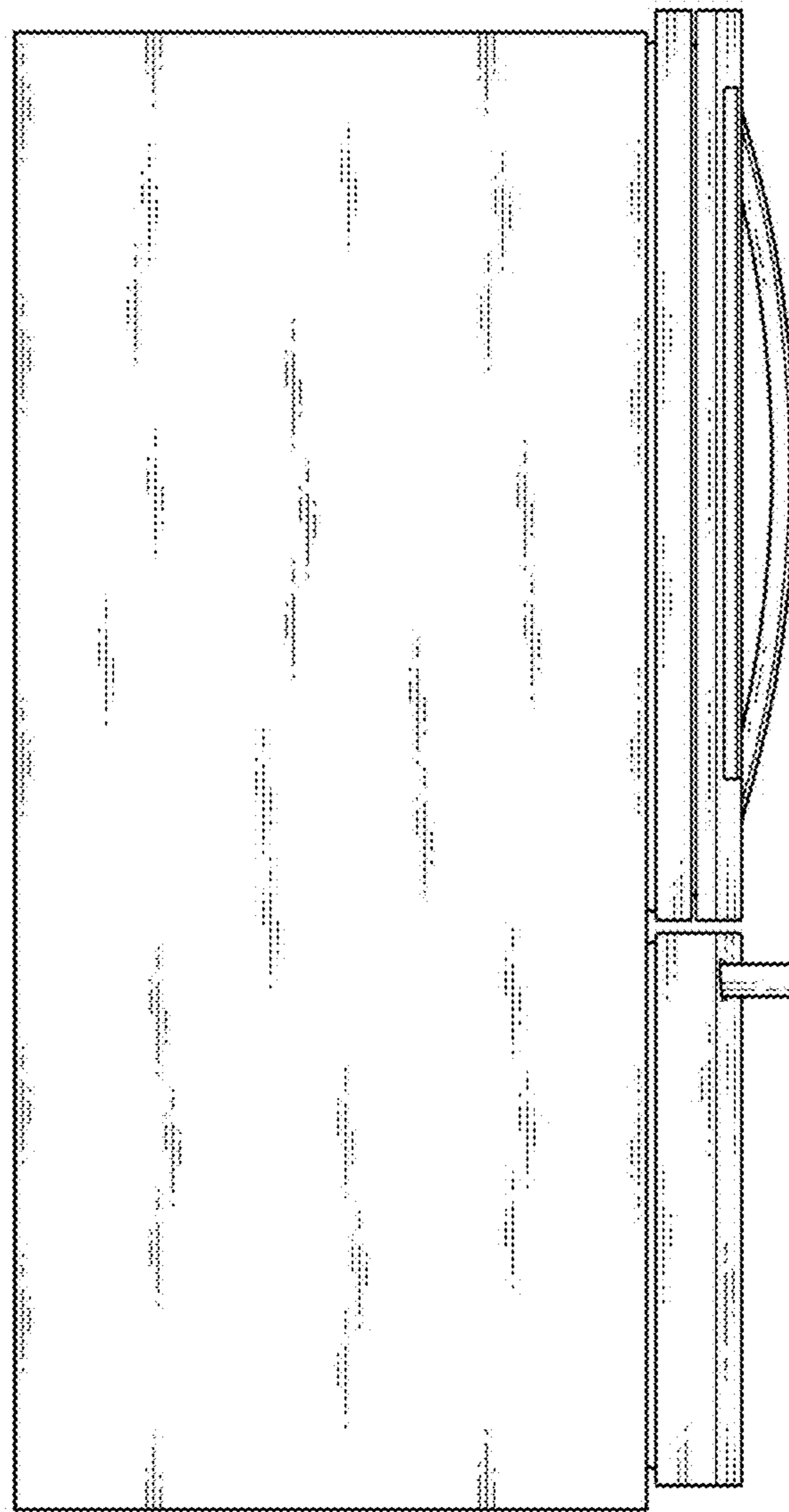
1.2



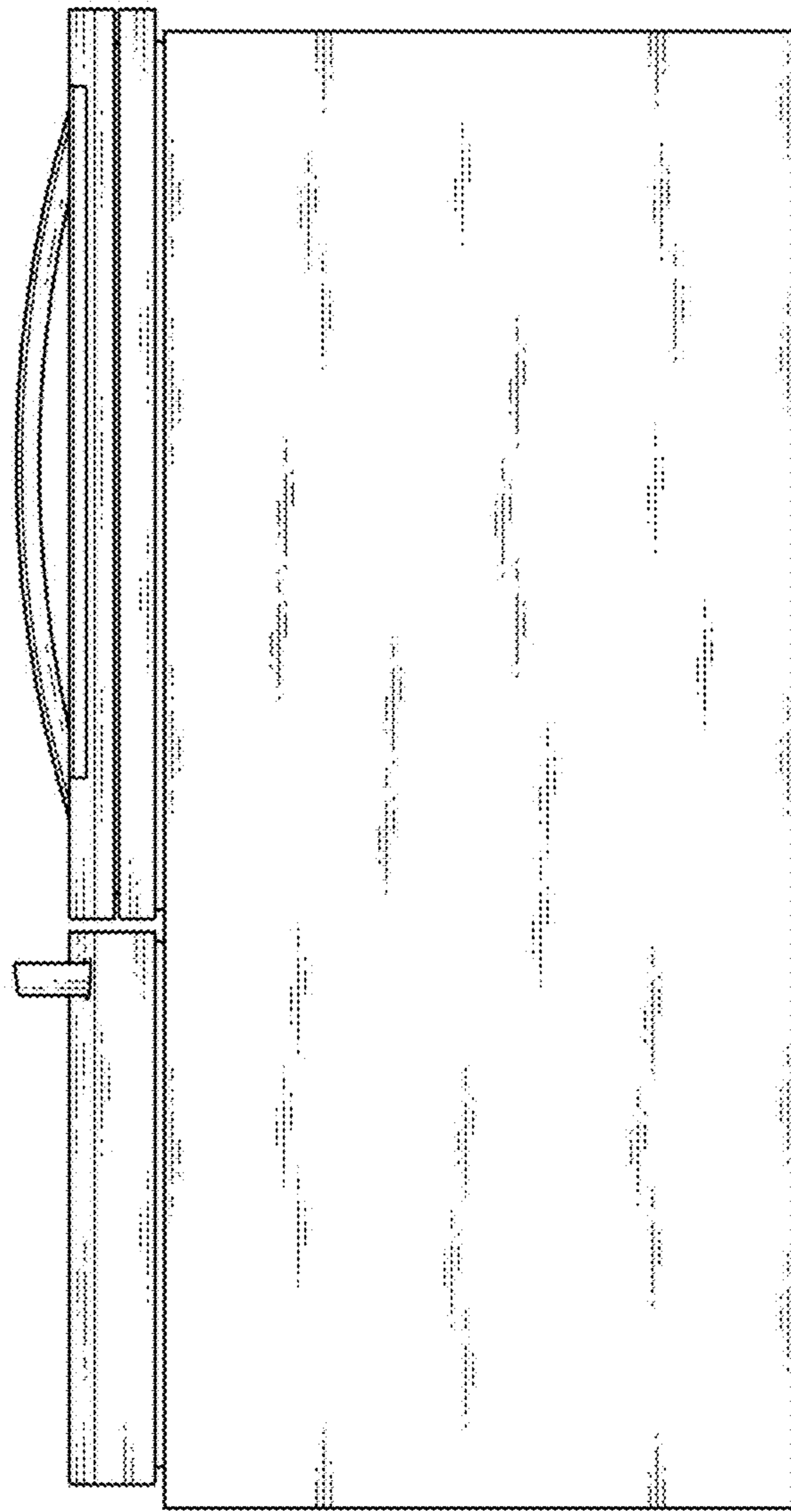
1.3



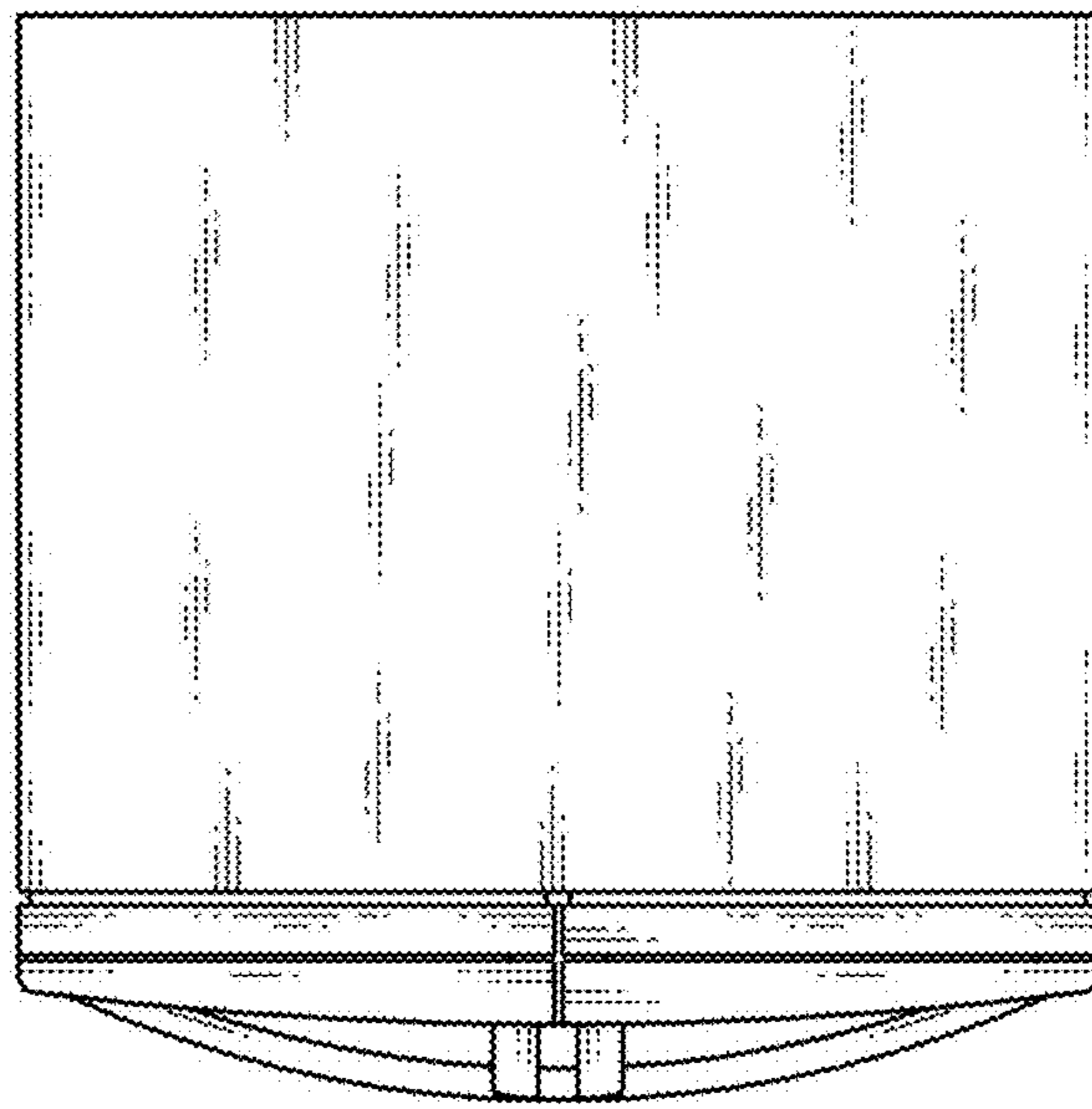
1.4



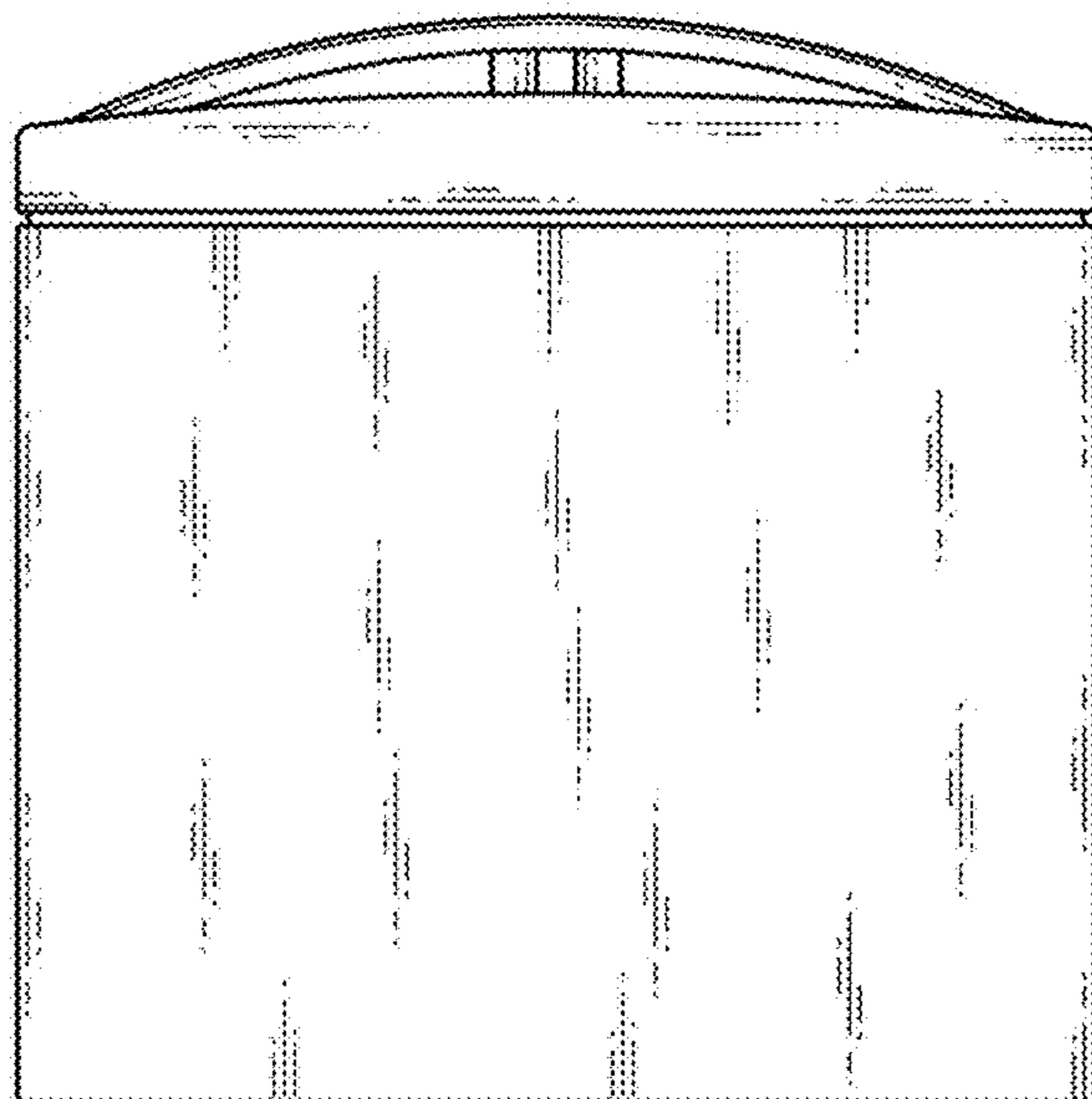
1.5



1.6

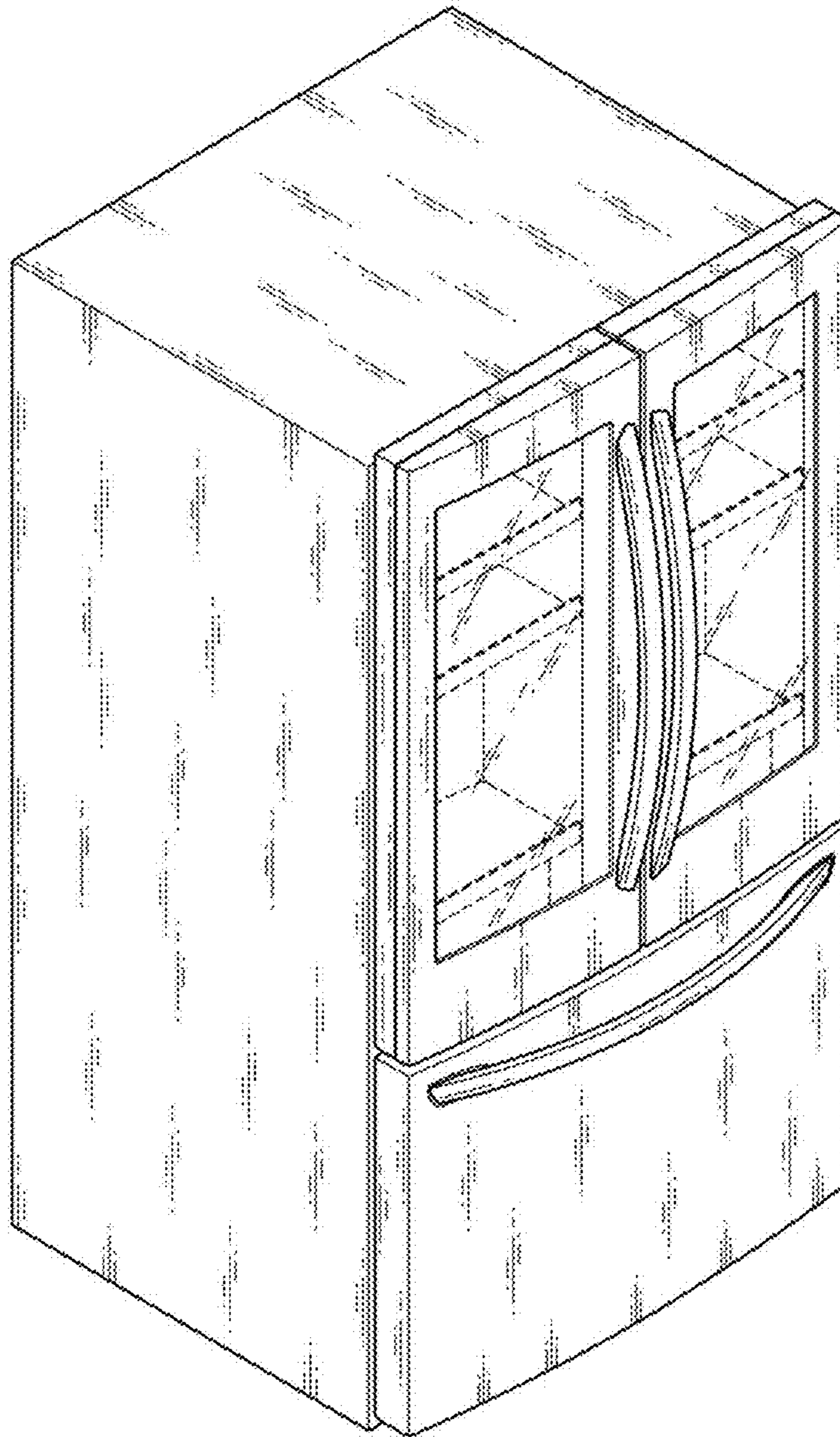


1.7

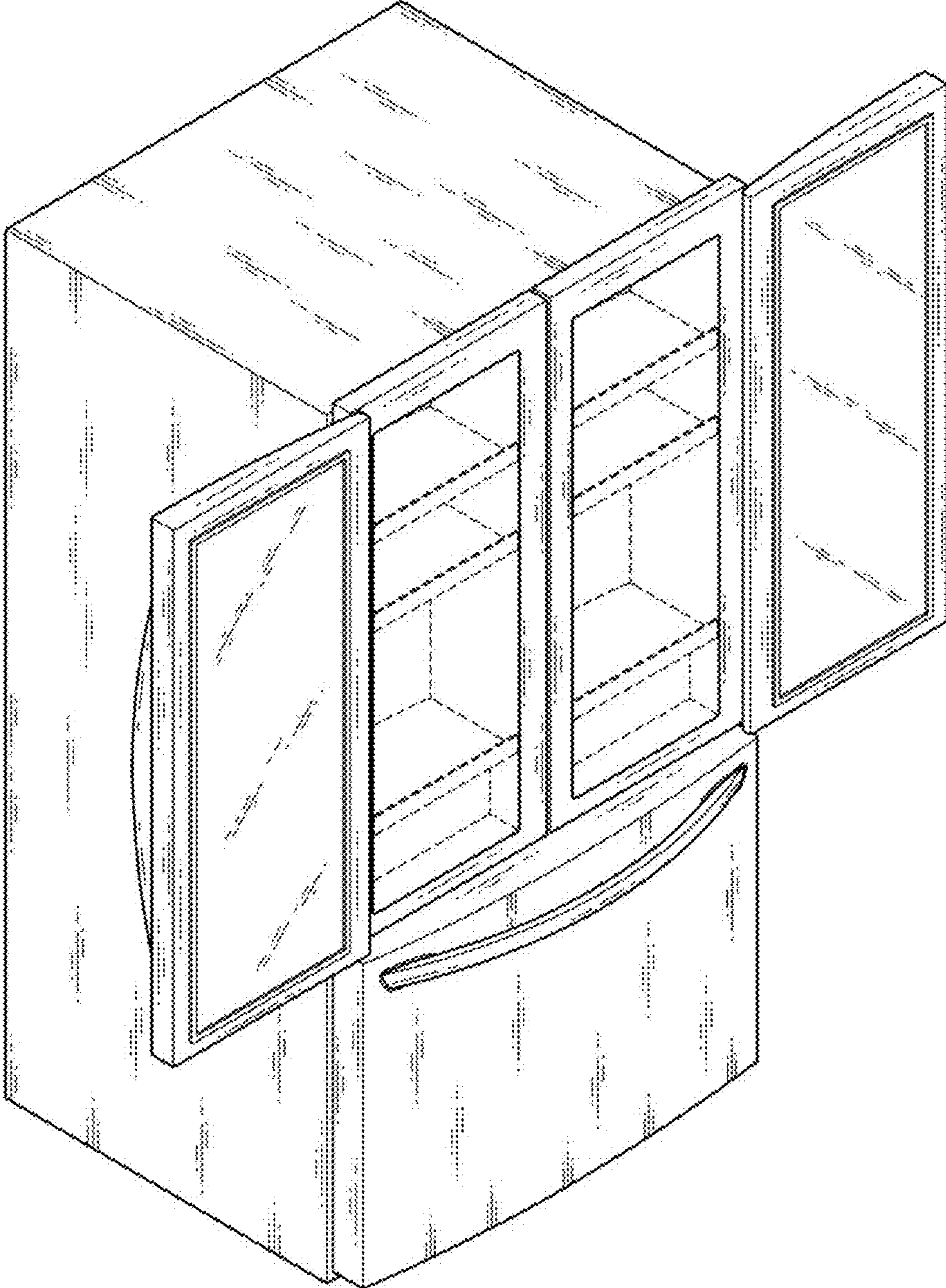




1.8



1.9



1.10

