



US00D812646S

(12) **United States Design Patent**
Hashimoto et al.

(10) **Patent No.:** **US D812,646 S**
(45) **Date of Patent:** **** Mar. 13, 2018**

(54) **BACKHOE**

(71) Applicant: **KUBOTA CORPORATION**,
Osaka-shi, Osaka (JP)

(72) Inventors: **Ryo Hashimoto**, Sakai (JP); **Taiki Furuki**, Sakai (JP); **Katsuhiko Yukawa**, Sakai (JP)

(73) Assignee: **Kubota Corporation**, Osaka (JP)

(**) Term: **15 Years**

(21) Appl. No.: **29/539,527**

(22) Filed: **Sep. 15, 2015**

(30) **Foreign Application Priority Data**

Apr. 16, 2015 (JP) 2015-008657

(51) **LOC (11) Cl.** **12-07**

(52) **U.S. Cl.**
USPC **D15/28**

(58) **Field of Classification Search**

USPC D15/10, 11, 12, 23, 25, 28, 30, 32, 33,
D15/199

CPC E02F 9/2004; E02F 9/207; E02F 9/2091;
E02F 9/2246; E02F 9/2292; E02F 3/32;
E02F 3/325; E02F 3/352; E02F 3/384;
E02F 3/425; E02F 3/437; E02F 3/627;
E02F 3/964; E02F 9/006; E02F 9/0808;
E02F 9/0833; E02F 9/2083; E02F 3/434;
E02F 9/0841; E02F 9/0858; E02F 9/166;
E02F 9/2012; E02F 9/2029; E02F 9/2037;
E02F 9/2041; E02F 9/2066; E02F 9/2079;
E02F 9/2087; E02F 9/22; E02F 9/2253;
E02F 9/2275; G05G 9/047; G05G
2009/0474; G05G 2009/04759; G05G
2009/04777; G05G 2009/04748; G05G
2009/04766; G05G 2009/04774; G05G
5/05; G05G 5/06

See application file for complete search history.

(56) **References Cited**

U.S. PATENT DOCUMENTS

6,267,195 B1 * 7/2001 Takahasi B60K 23/00
180/315
7,854,291 B2 * 12/2010 Akahane E02F 9/2004
180/333
D681,687 S * 5/2013 Higashikawa D15/17
D685,007 S * 6/2013 Tanaka D15/28
D709,102 S * 7/2014 Tokuda D15/28
D718,343 S * 11/2014 Carter D15/28
D759,731 S * 6/2016 Roemer D15/28

* cited by examiner

Primary Examiner — Ian Simmons

Assistant Examiner — Khawaja Anwar

(74) *Attorney, Agent, or Firm* — Muncy, Geissler, Olds & Lowe, P.C.

(57) **CLAIM**

The ornamental design for a backhoe, as shown and described.

DESCRIPTION

FIG. 1 is a front view of the backhoe showing our new design;

FIG. 2 is a rear view thereof;

FIG. 3 is a left side view thereof;

FIG. 4 is a right side view thereof;

FIG. 5 is a top view thereof;

FIG. 6 is a perspective view thereof;

FIG. 7 is a top view thereof taken along line 7-7 in FIG. 1 and line 7-7 in FIG. 5;

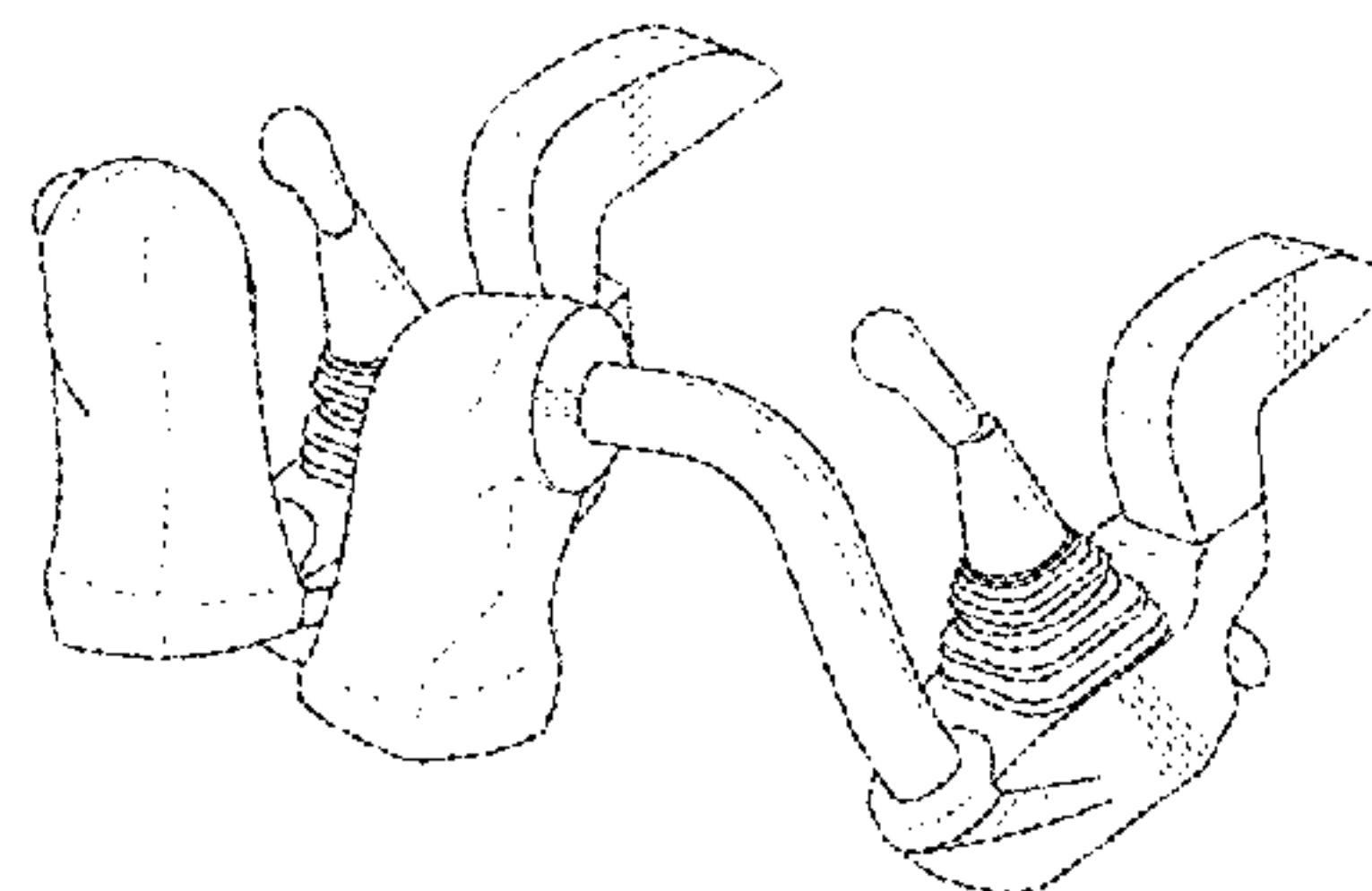
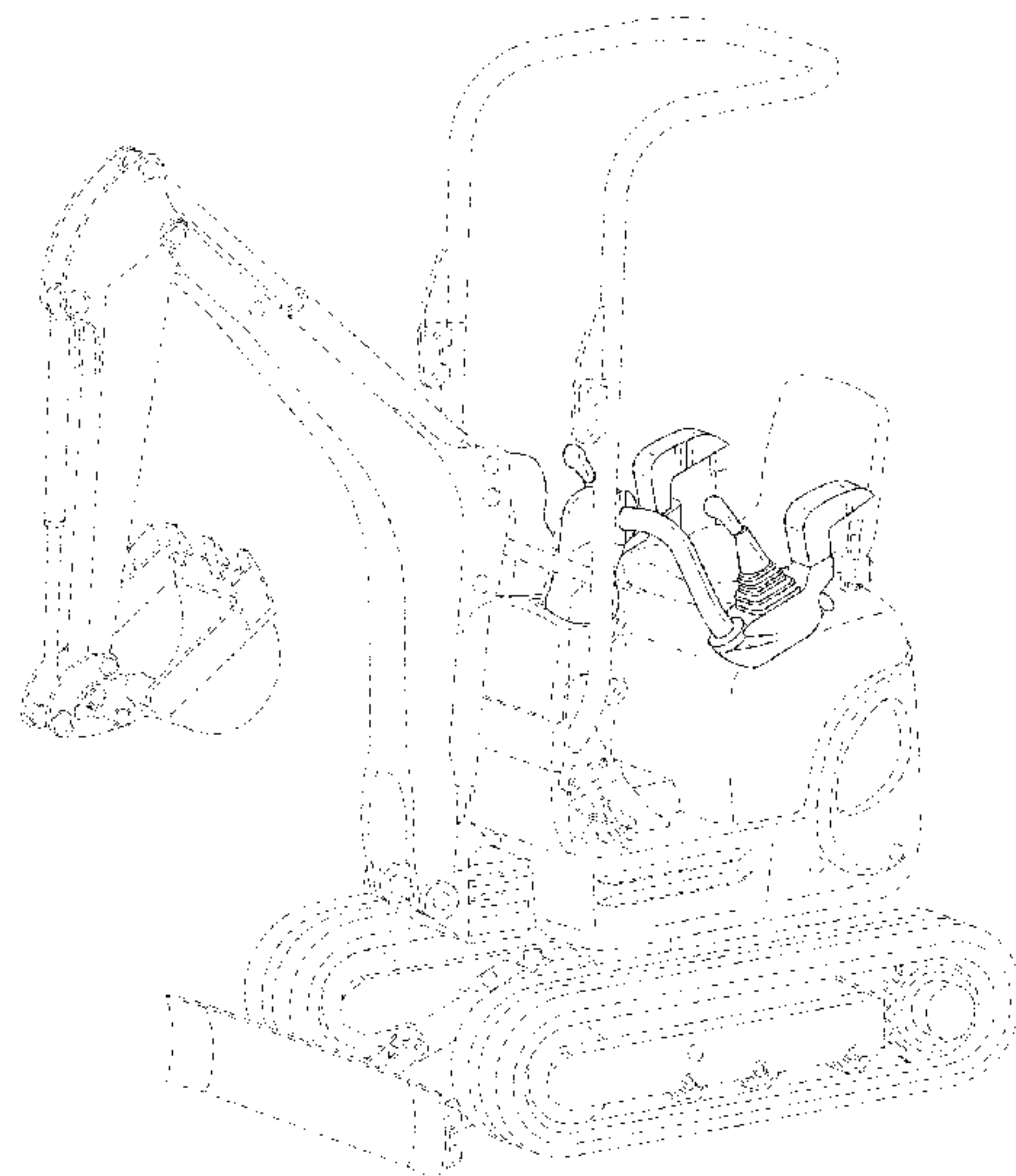
FIG. 8 is an isolated and enlarged view of FIG. 6, with environment removed; and,

FIG. 9 is an enlarged rear right perspective view thereof.

The bottom view is not shown.

The broken line showing is for the purpose of illustrating environmental structure and forms no part of the claimed the design.

1 Claim, 8 Drawing Sheets



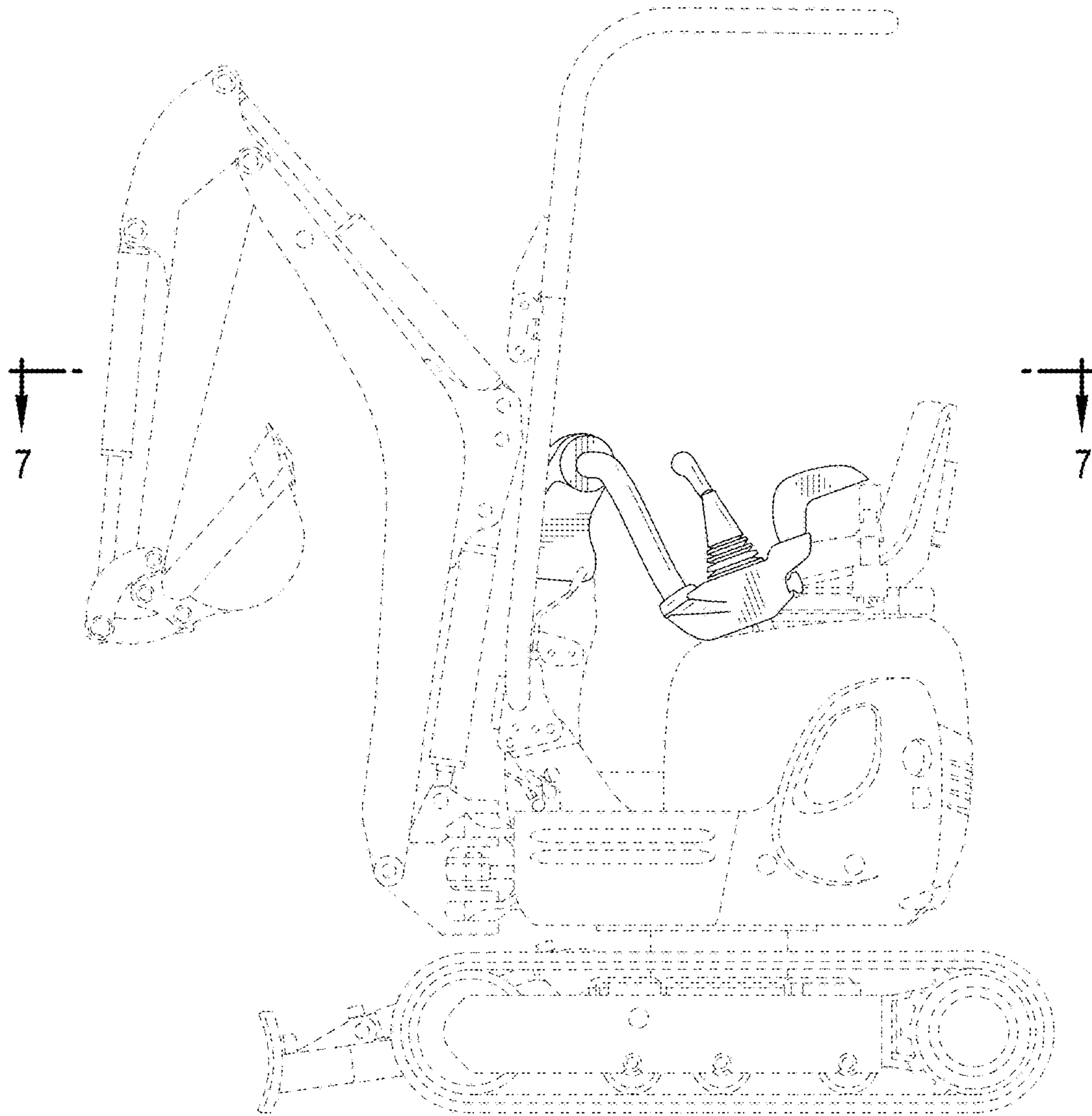


FIG.1

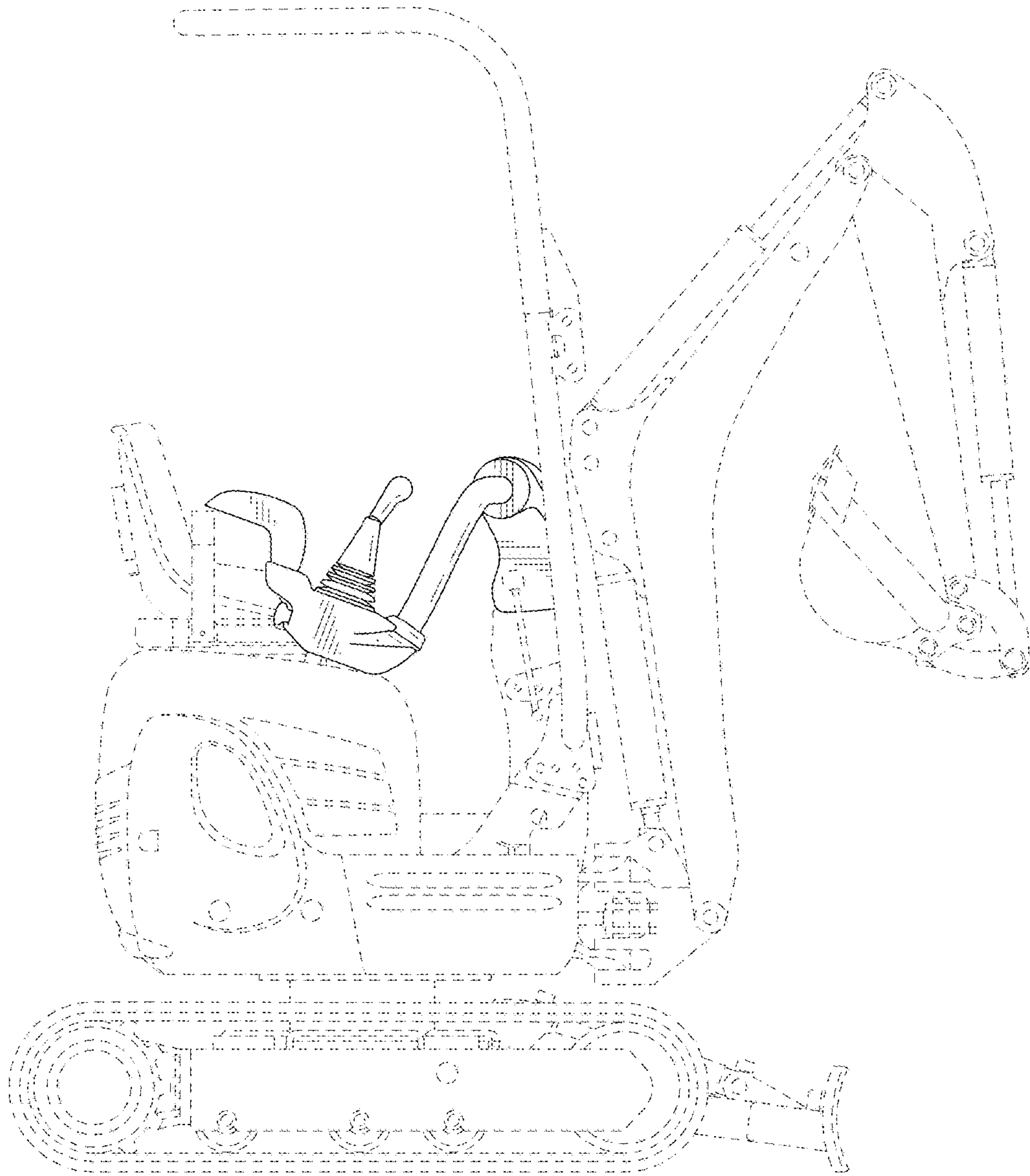


FIG.2

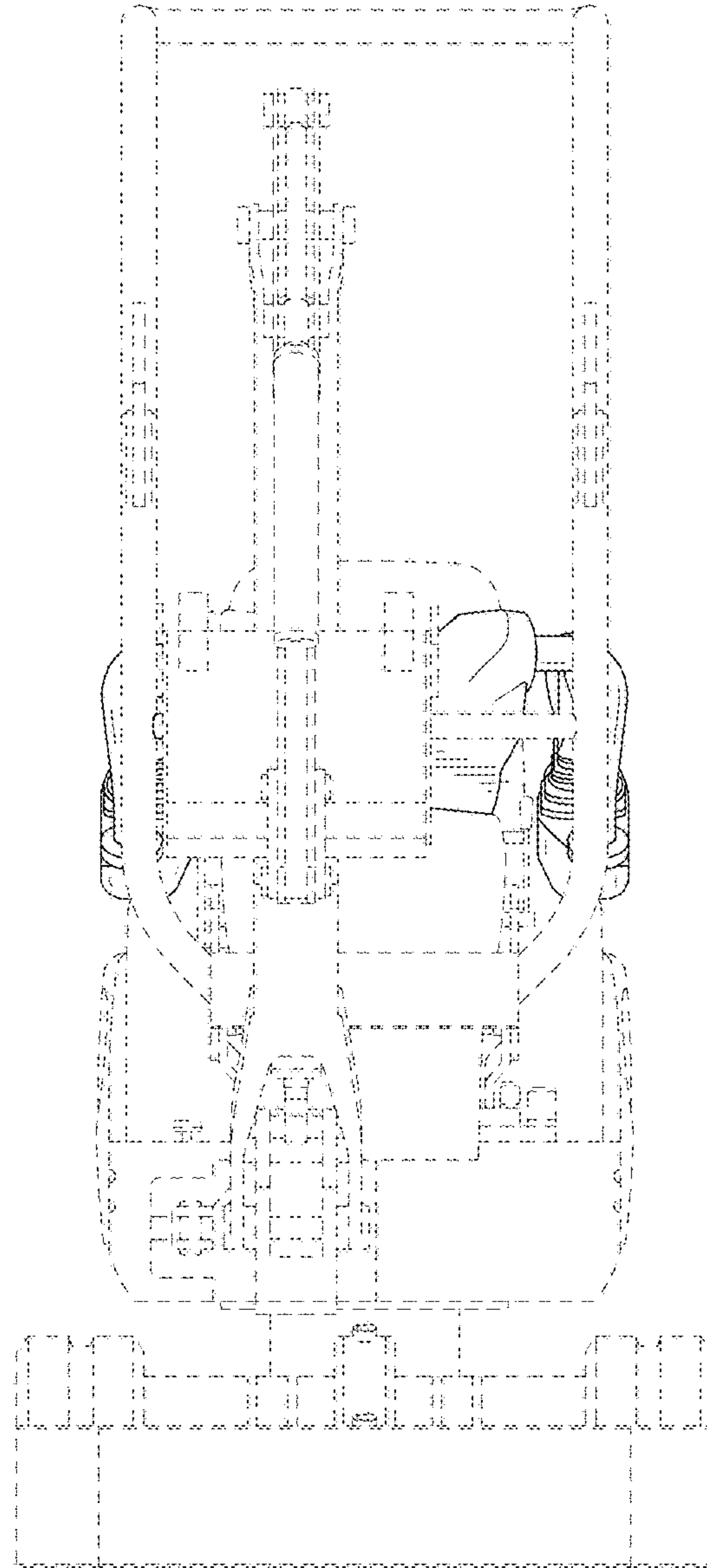


FIG.3

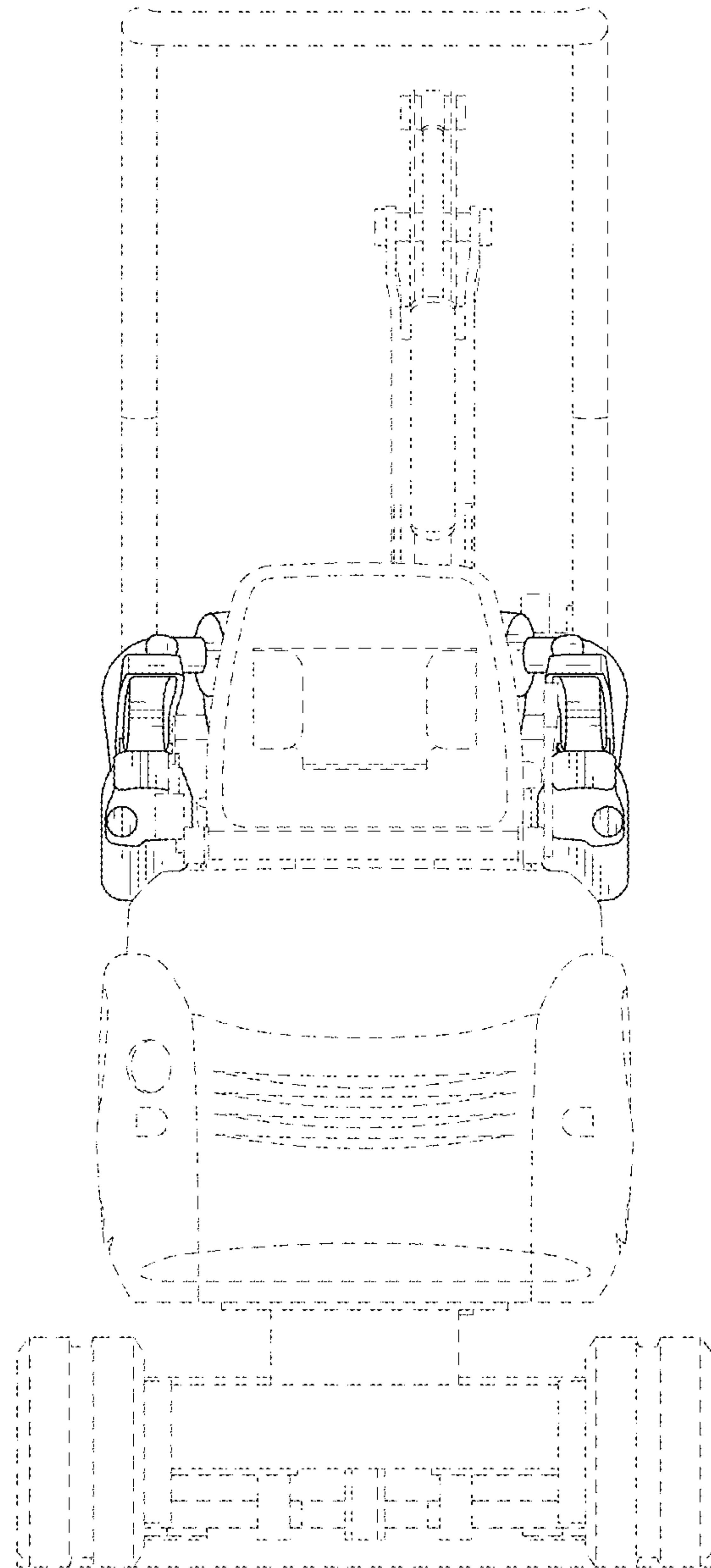


FIG.4

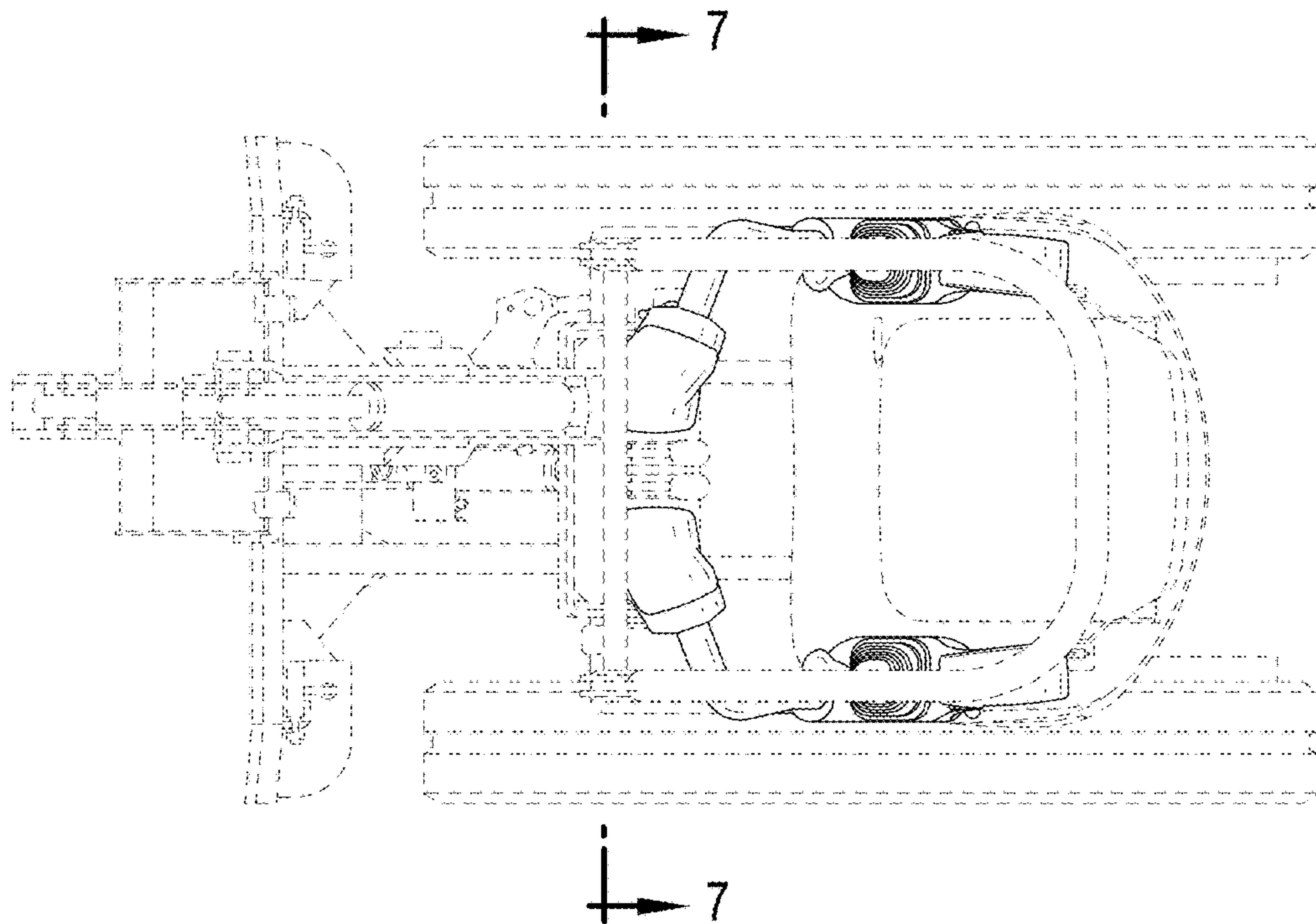


FIG.5

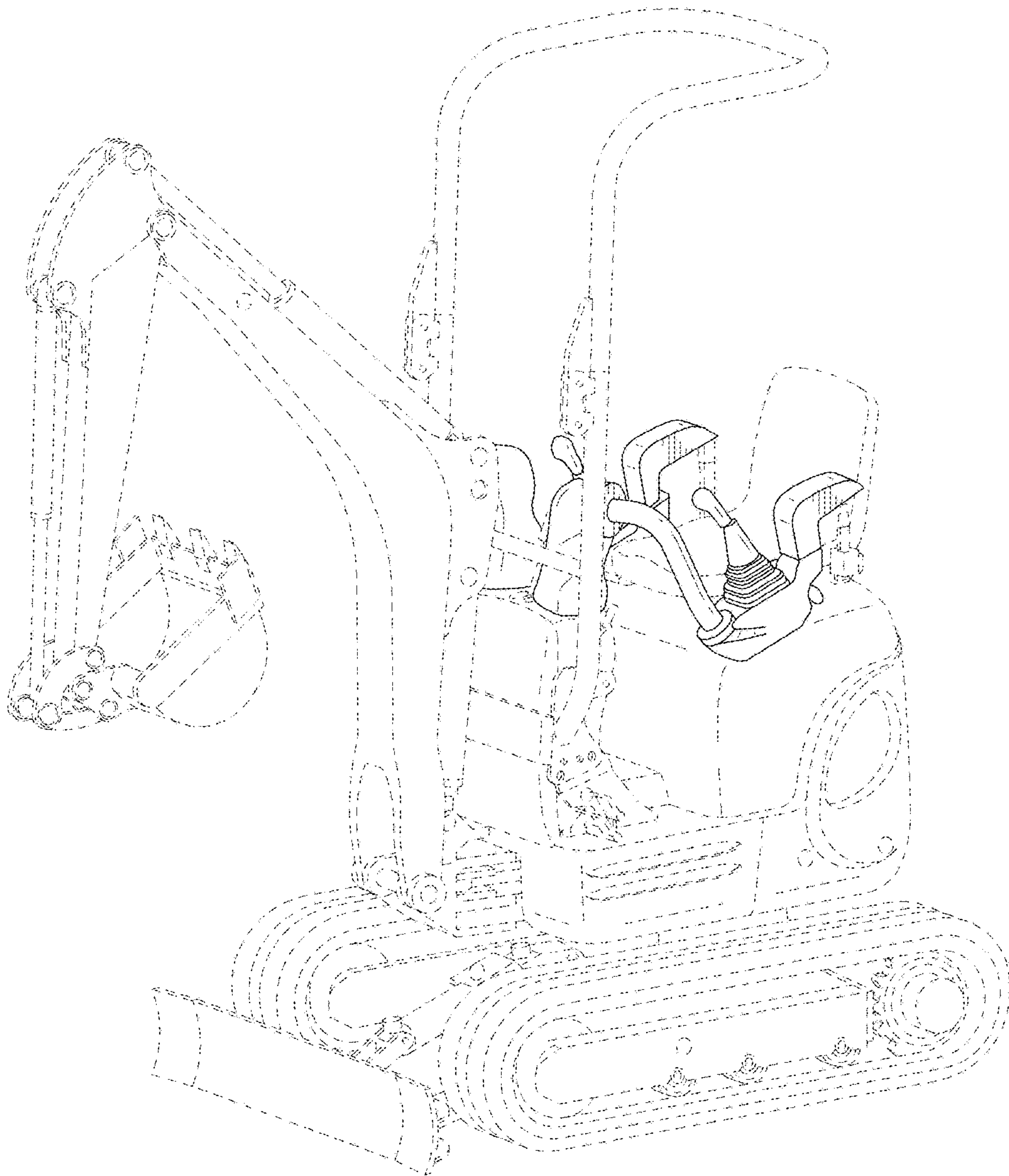


FIG.6

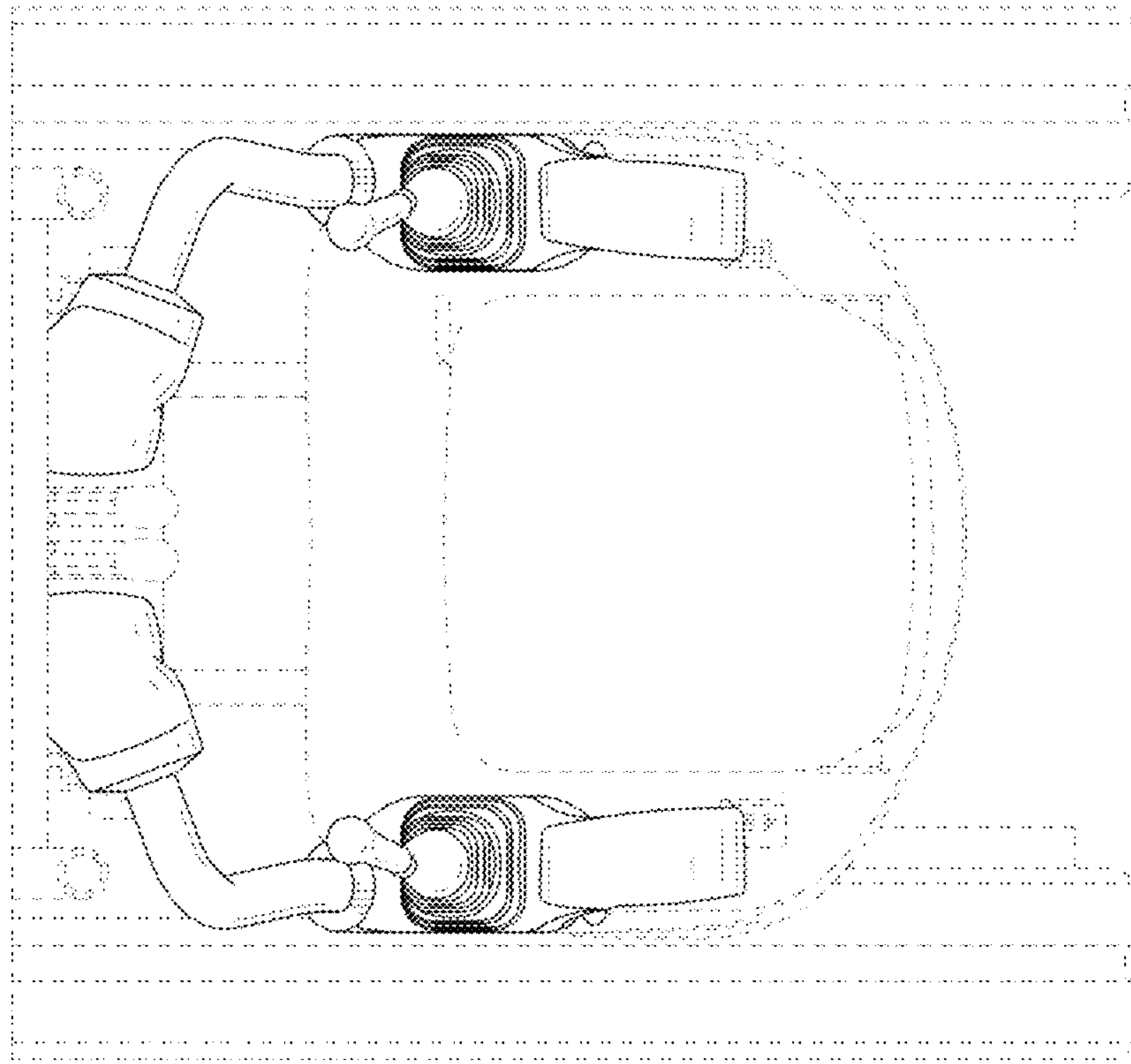


FIG. 7

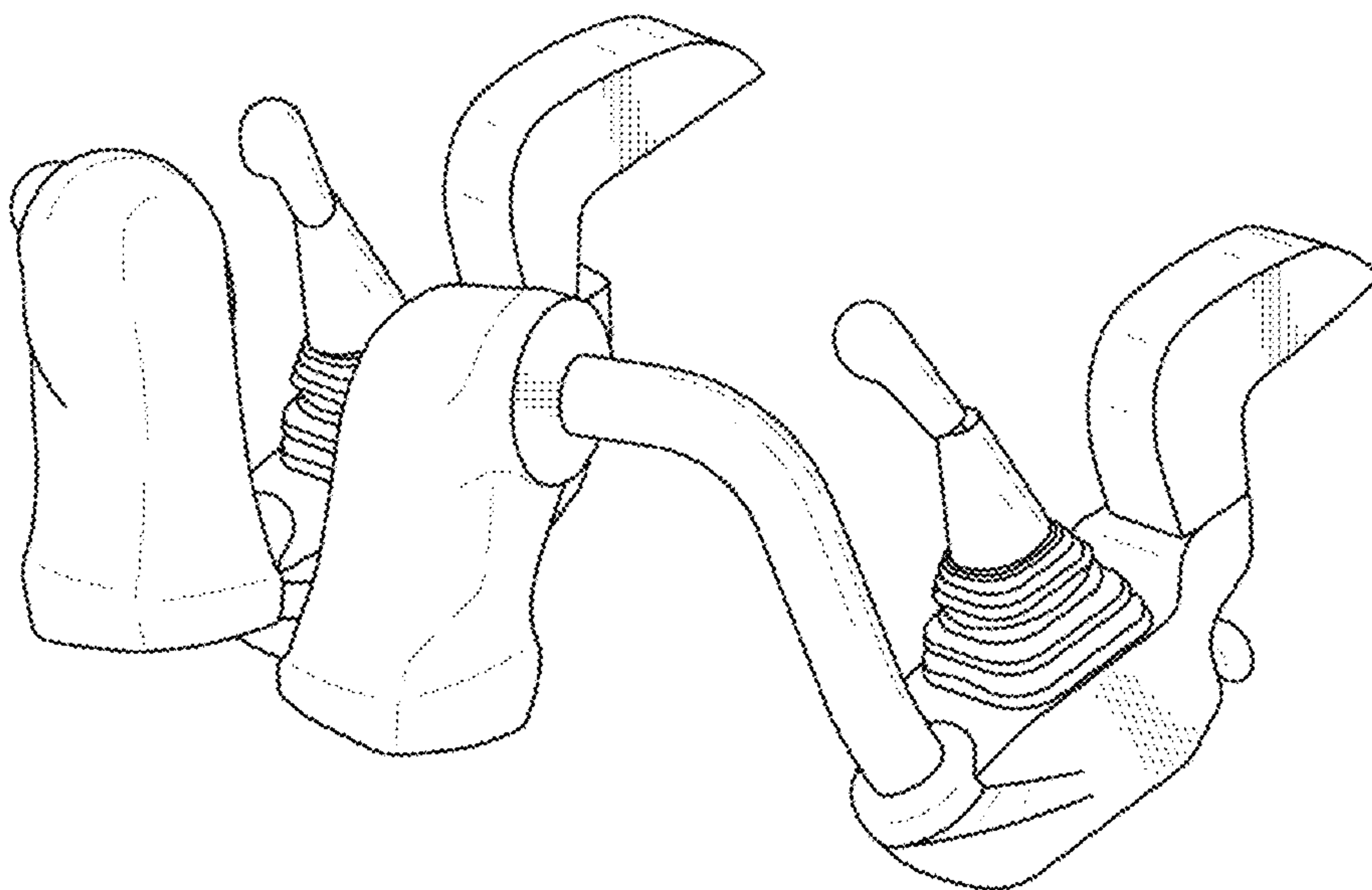


FIG. 8

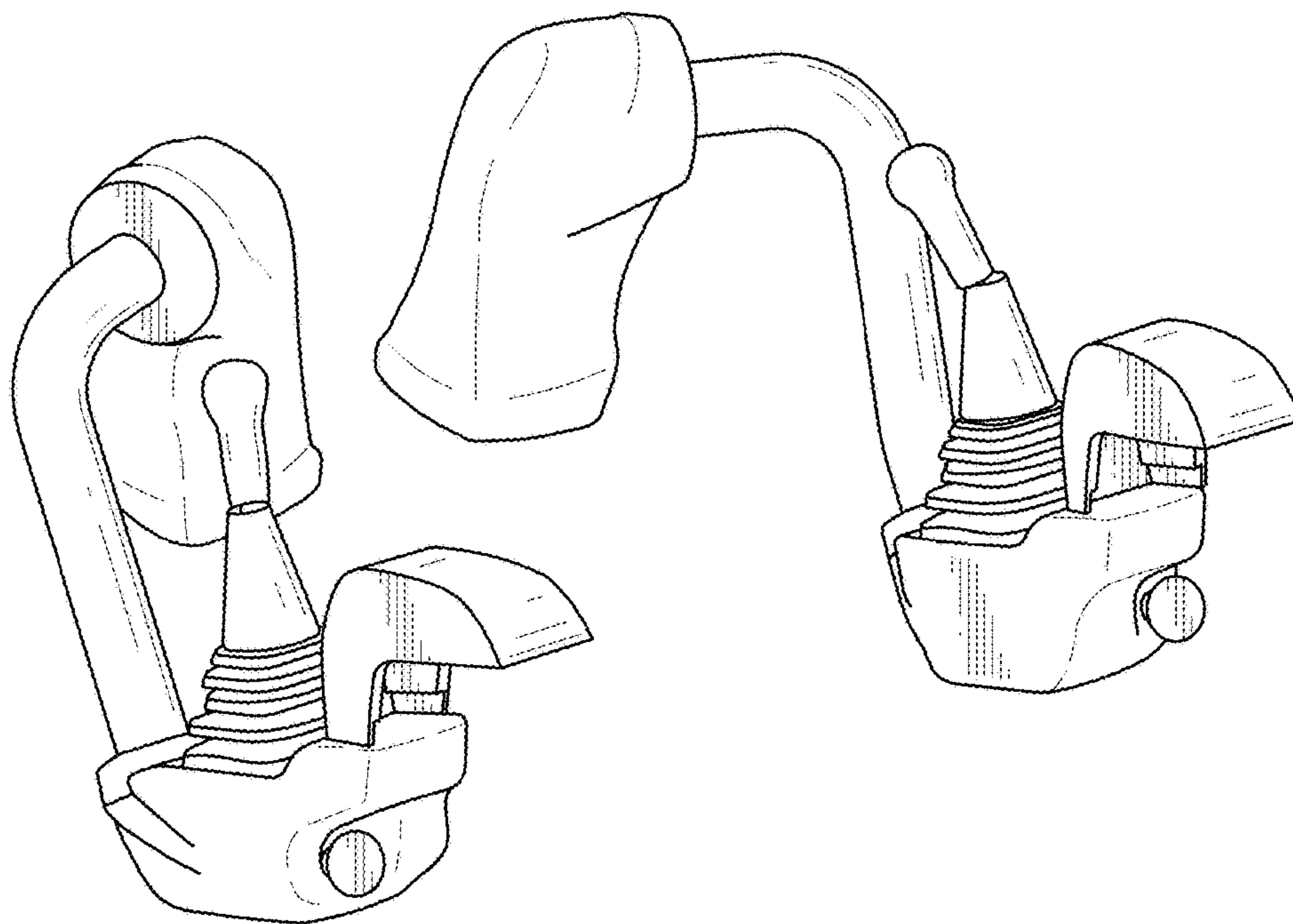


FIG.9