



US00D812644S

(12) **United States Design Patent** (10) **Patent No.:** **US D812,644 S**
Tomlinson et al. (45) **Date of Patent:** **** Mar. 13, 2018**

(54) **SET OF ENGINE VALVE COVERS**

FOREIGN PATENT DOCUMENTS

(71) Applicant: **Holley Performance Products Inc.**,
Bowling Green, KY (US)

AU 201712298 5/2017
AU 201712300 5/2017

(Continued)

(72) Inventors: **Thomas W. Tomlinson**, Bowling
Green, KY (US); **Robert M. Haynes**,
Bowling Green, KY (US)

OTHER PUBLICATIONS

Transmittal Letter of Related Cases.

(Continued)

(73) Assignee: **Holley Performance Products, Inc.**,
Bowling Green, KY (US)

Primary Examiner — T. Chase Nelson

Assistant Examiner — Ania Aman

(**) Term: **15 Years**

(74) *Attorney, Agent, or Firm* — Middleton Reutlinger

(21) Appl. No.: **29/583,835**

(22) Filed: **Nov. 9, 2016**

(57) **CLAIM**

(51) **LOC (11) Cl.** **15-01**

We claim the ornamental design for a set of engine valve covers, as shown and described.

(52) **U.S. Cl.**

USPC **D15/5**

DESCRIPTION

(58) **Field of Classification Search**

USPC D15/1-5

CPC ... F01P 5/02; F01P 1/02; F02B 75/007; F02B

77/13; F02B 75/22; F02F 7/0046; F02F

7/0026; F02F 7/0021; F02F 7/0068; F02F

7/006; F02F 2007/0097; F02F 7/0024;

F02F 7/0039; F02F 7/0065; F02F

2007/0075; F02F 2007/0078; F02F

7/0095; F01M 13/023

See application file for complete search history.

FIG. 1 is a front perspective view of a driver side engine valve cover showing our new design.

FIG. 2 is a front elevational view thereof;

FIG. 3 is a back elevational view thereof;

FIG. 4 is a left side elevational view thereof;

FIG. 5 is a right side elevational view thereof;

FIG. 6 is a top plan view thereof;

FIG. 7 is a bottom plan view thereof;

FIG. 8 is a front perspective view of a passenger side engine valve cover showing our new design.

FIG. 9 is a front elevational view thereof;

FIG. 10 is a back elevational view thereof;

FIG. 11 is a left side elevational view thereof;

FIG. 12 is a right side elevational view thereof;

FIG. 13 is a top plan view thereof; and,

FIG. 14 is a bottom plan view thereof.

The broken lines in the drawings illustrate environmental structure on the article and form no part of the claimed design.

(56) **References Cited**

U.S. PATENT DOCUMENTS

2,877,756 A * 3/1959 McCauley F02F 7/006
123/195 C

3,256,871 A 6/1966 Bintz

D252,878 S 9/1979 Bellino

4,257,369 A 3/1981 Abe

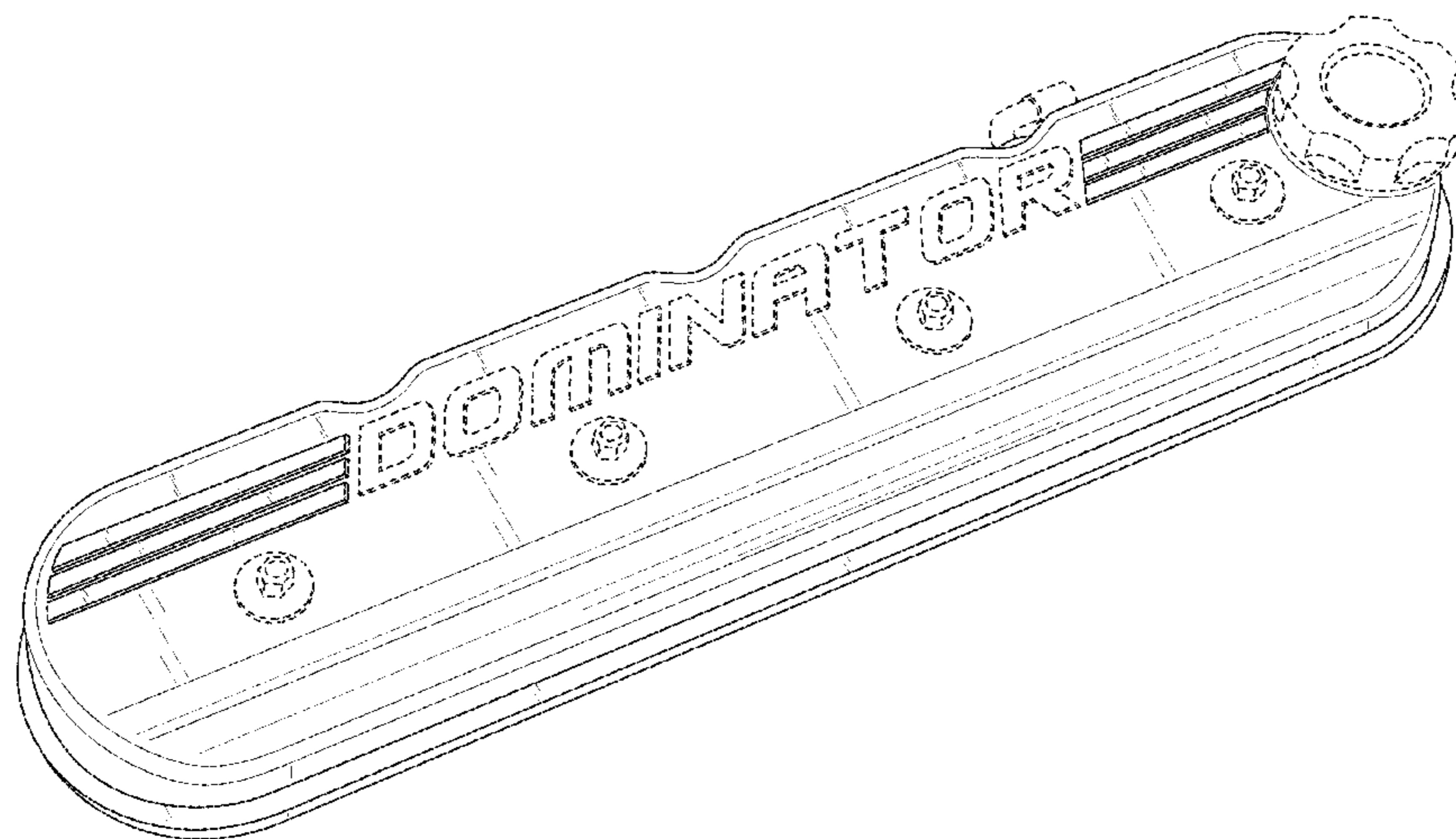
4,261,310 A 4/1981 Laws, Jr.

4,492,189 A 1/1985 Ogawa

4,538,560 A 9/1985 Alden

(Continued)

1 Claim, 8 Drawing Sheets



(56)

References Cited

U.S. PATENT DOCUMENTS

4,593,659 A * 6/1986 Wells F02F 7/006
123/195 C

D305,767 S 1/1990 Tauschke

5,095,860 A * 3/1992 Newell F01M 9/105
123/195 C

5,365,901 A * 11/1994 Kiczek F02F 7/006
123/195 C

5,513,603 A * 5/1996 Ang F02F 7/006
123/198 E

5,513,604 A 5/1996 Clement

5,687,975 A 11/1997 Inciong

D418,844 S 1/2000 Occhiuto

D503,724 S 4/2005 Grant

7,137,378 B1 11/2006 Jaeger

D543,998 S 6/2007 Platt

7,343,890 B1 3/2008 Platt

D574,853 S 8/2008 Harbert

D580,954 S 11/2008 Platt

7,765,971 B1 8/2010 Overacker

8,056,522 B1 * 11/2011 Carter F02F 7/006
123/193.5

D657,798 S 4/2012 Platt

8,424,503 B1 * 4/2013 Harbert F02F 7/006
123/195 C

D700,288 S 2/2014 Santos

D727,362 S * 4/2015 Platt D15/5

D735,759 S 4/2015 Chan

D788,824 S 6/2017 Choi

2002/0112684 A1 * 8/2002 Jones F02F 7/006
123/90.38

2005/0132997 A1 6/2005 Vargas

2007/0169734 A1 * 7/2007 Harbert F02F 7/006
123/90.38

2007/0277724 A1 12/2007 Sammons

2008/0001040 A1 * 1/2008 Franks F16B 19/00
248/74.3

2008/0121199 A1 * 5/2008 Harbert F02F 7/006
123/90.38

2009/0241879 A1 * 10/2009 Harbert F01M 11/04
123/90.38

2010/0043740 A1 * 2/2010 Turner, Jr. F01L 1/20
123/196 AB

2017/0022931 A1 * 1/2017 Webb F02F 7/0068

FOREIGN PATENT DOCUMENTS

AU	201712302	5/2017
AU	201712303	5/2017
AU	201712306	5/2017
AU	201712313	5/2017
AU	201712314	5/2017
AU	201712315	5/2017
AU	201712316	5/2017
AU	201712317	5/2017
AU	201712318	5/2017
AU	201712321	5/2017
AU	201712322	5/2017
AU	201712323	5/2017

OTHER PUBLICATIONS

Design U.S. Appl. No. 29/583,807 entitled "Valve Cover" filed Nov. 9, 2016.

Design U.S. Appl. No. 29/583,814 entitled "Engine Valley Cover" filed Nov. 9, 2016.

Design U.S. Appl. No. 29/583,820 entitled "Engine Valley Cover" filed Nov. 9, 2016.

Design U.S. Appl. No. 29/583,824 entitled "Engine Valley Cover" filed Nov. 9, 2016.

Design U.S. Appl. No. 29/583,828 entitled "Engine Valley Cover" filed Nov. 9, 2016.

Design U.S. Appl. No. 29/583,843 entitled "Set of Engine Valve Covers" filed Nov. 9, 2016.

Design U.S. Appl. No. 29/583,851 entitled "Set of Engine Valve Covers" filed Nov. 9, 2016.

Design U.S. Appl. No. 29/583,867 entitled "Valve Cover" filed Nov. 9, 2016.

Design U.S. Appl. No. 29/583,874 entitled "Valve Cover" filed Nov. 9, 2016.

Design U.S. Appl. No. 29/583,878 entitled "Valve Cover" filed Nov. 9, 2016.

* cited by examiner

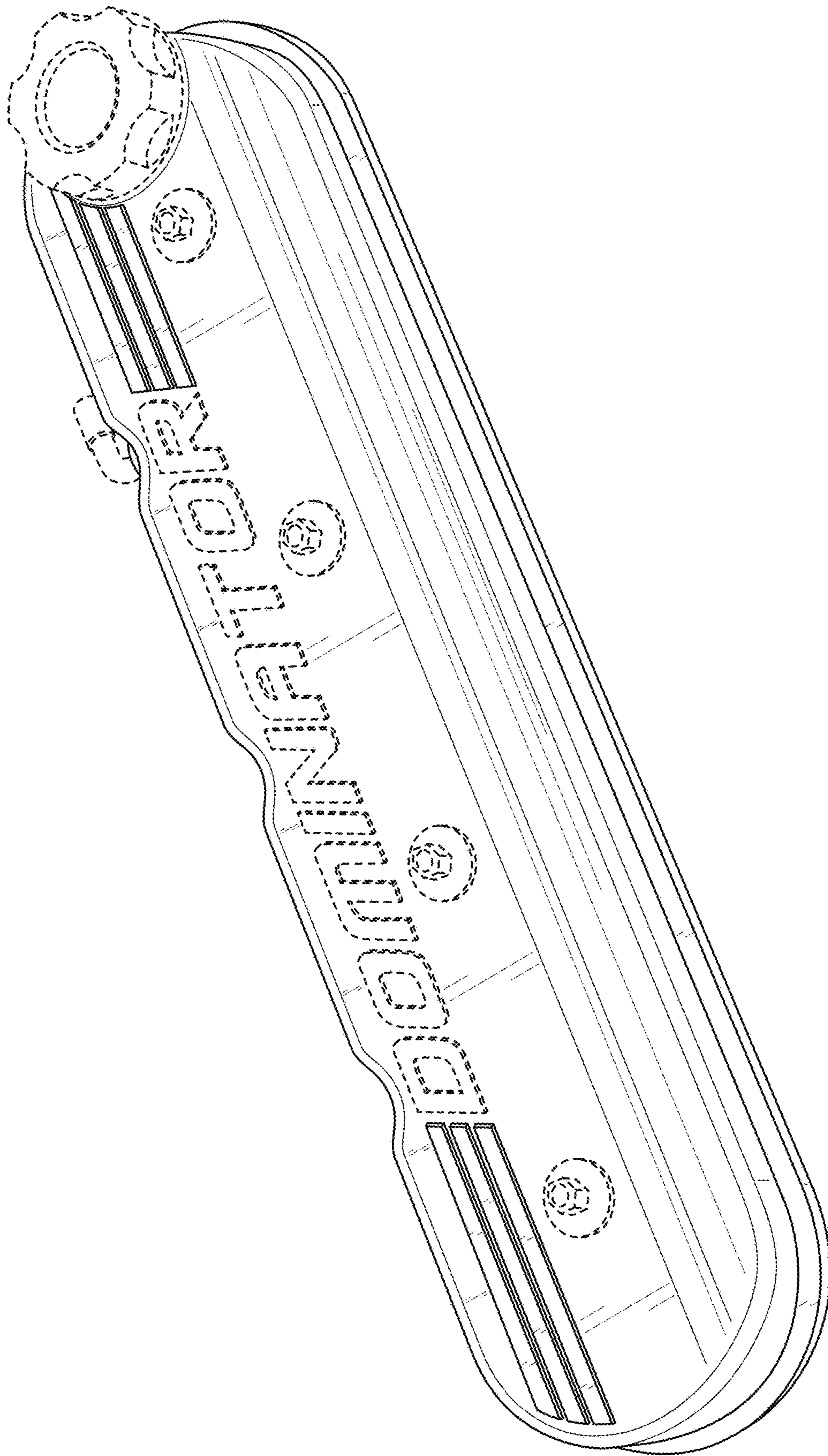


FIG. 1

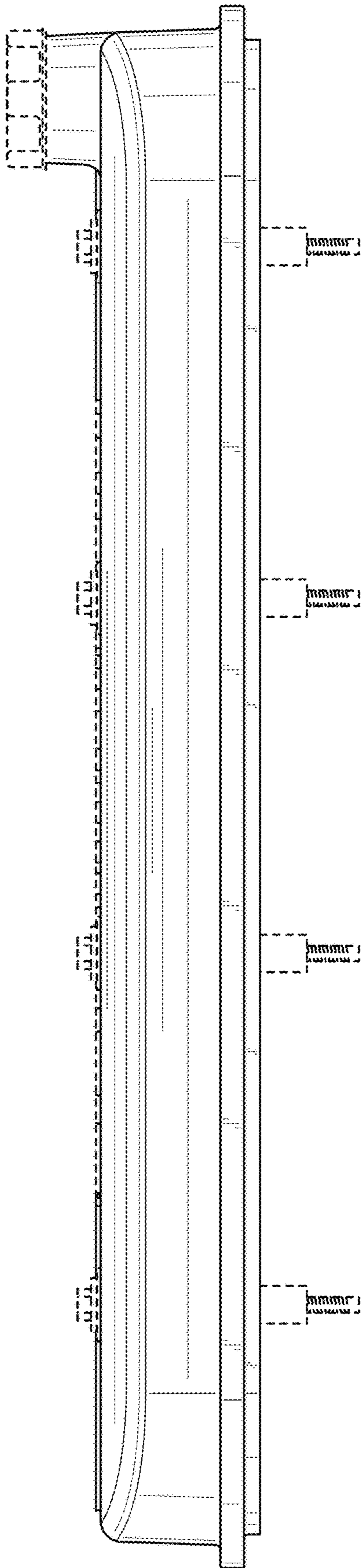


FIG. 2

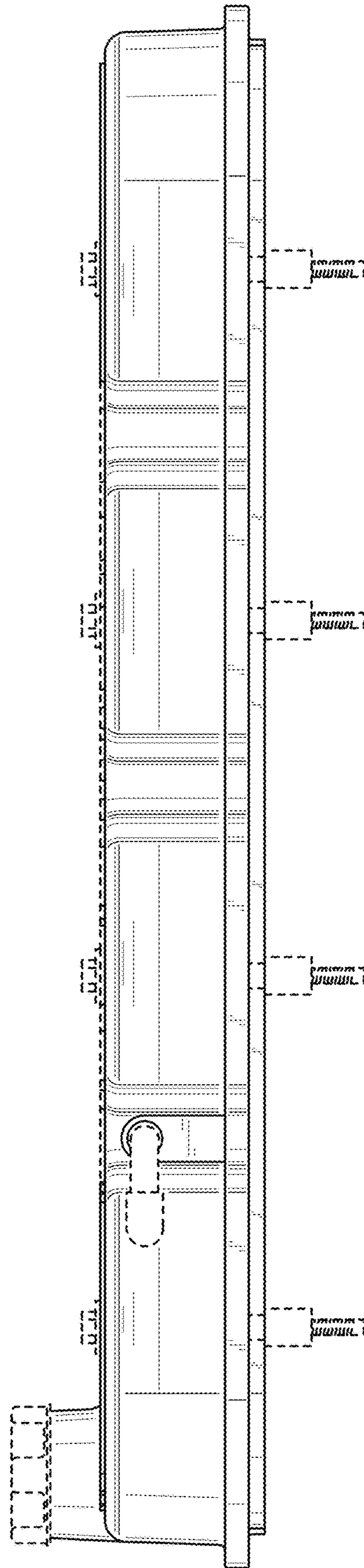


FIG. 3

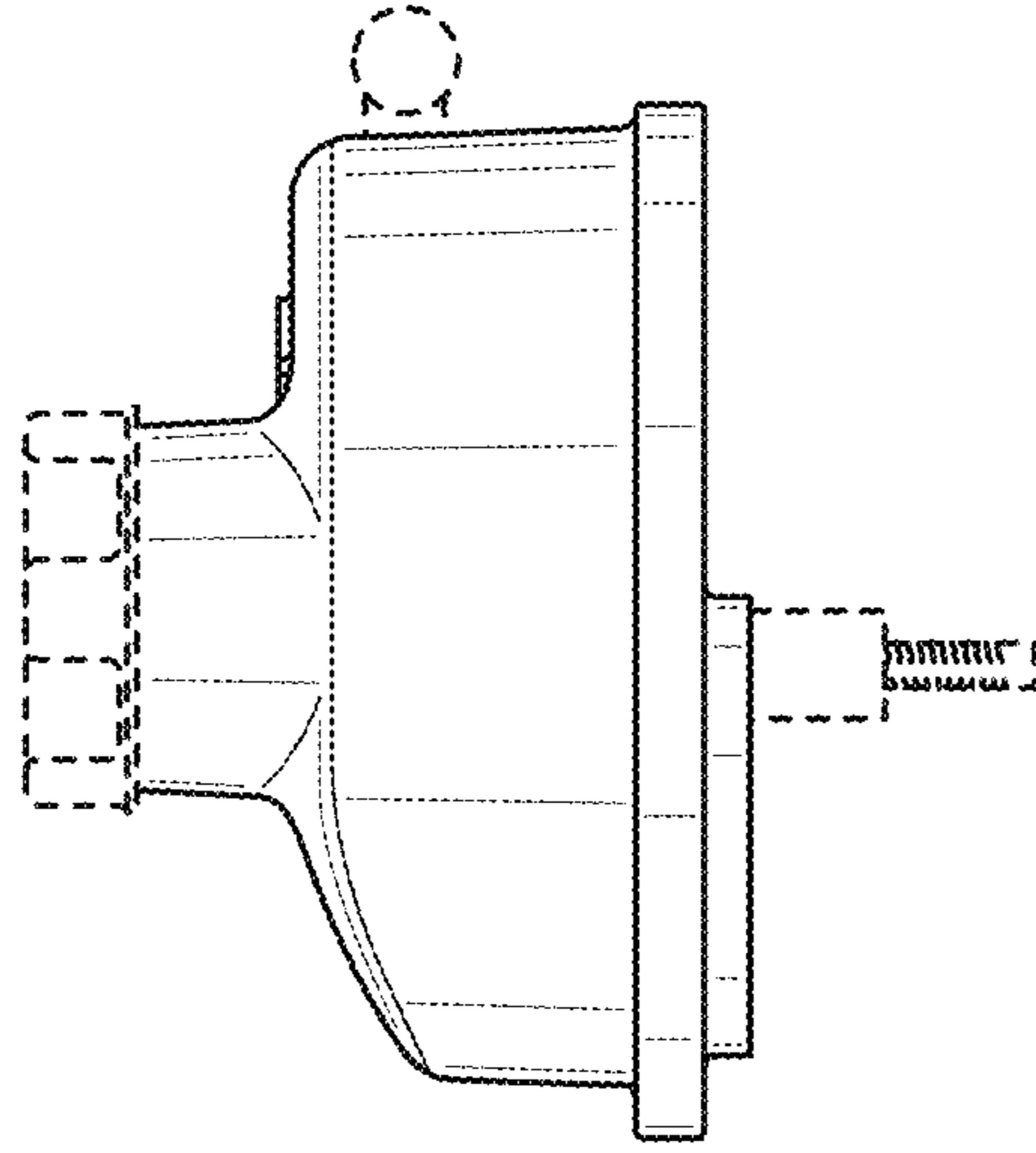


FIG. 5

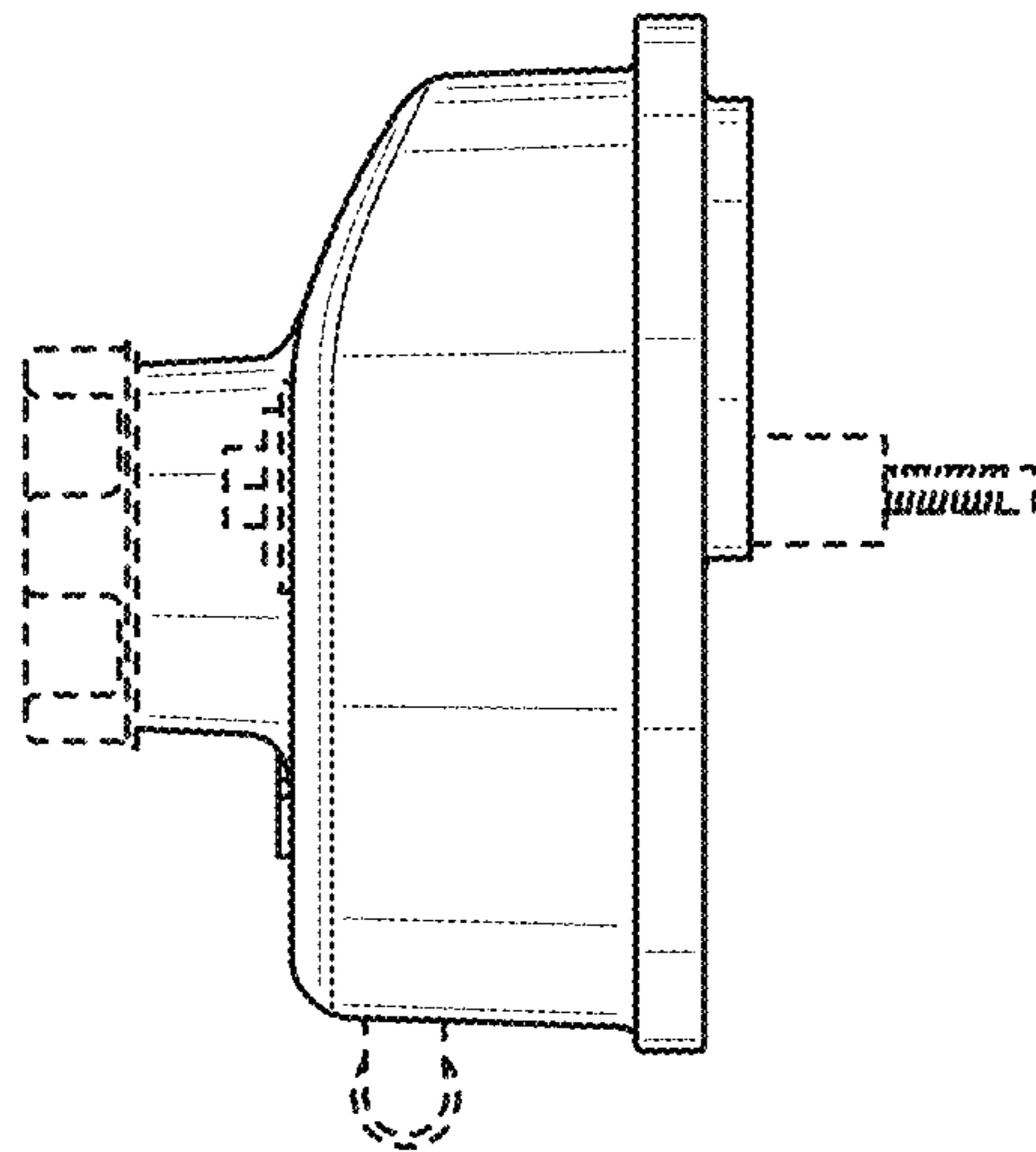


FIG. 4

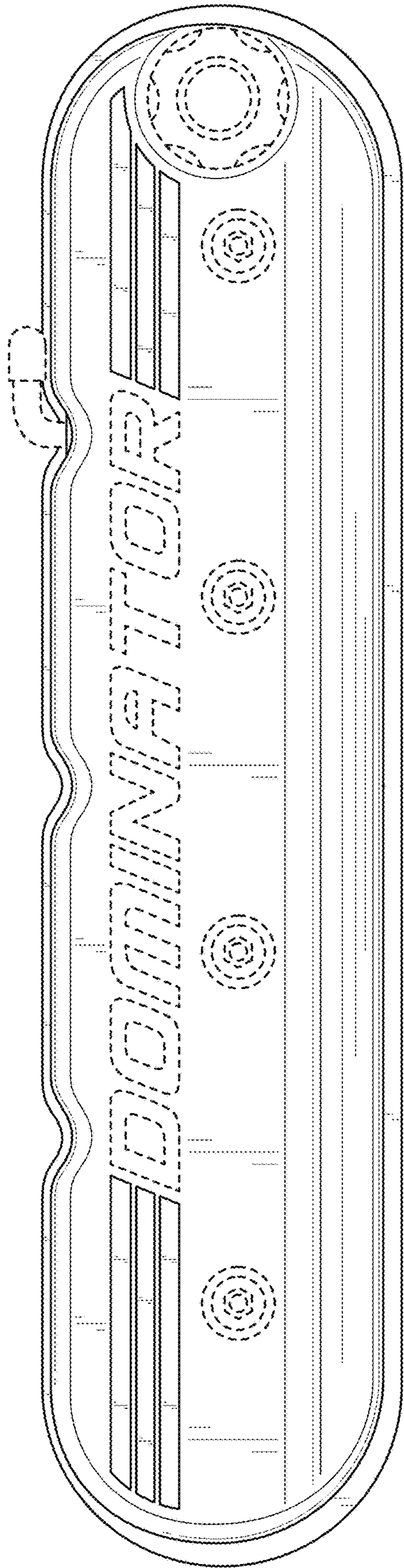


FIG. 6

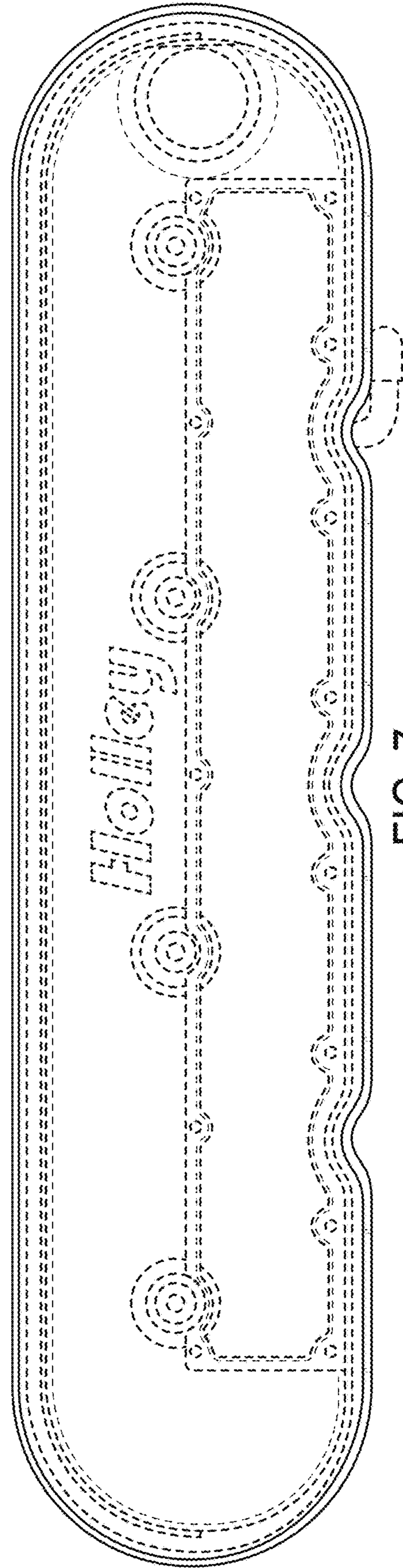


FIG. 7

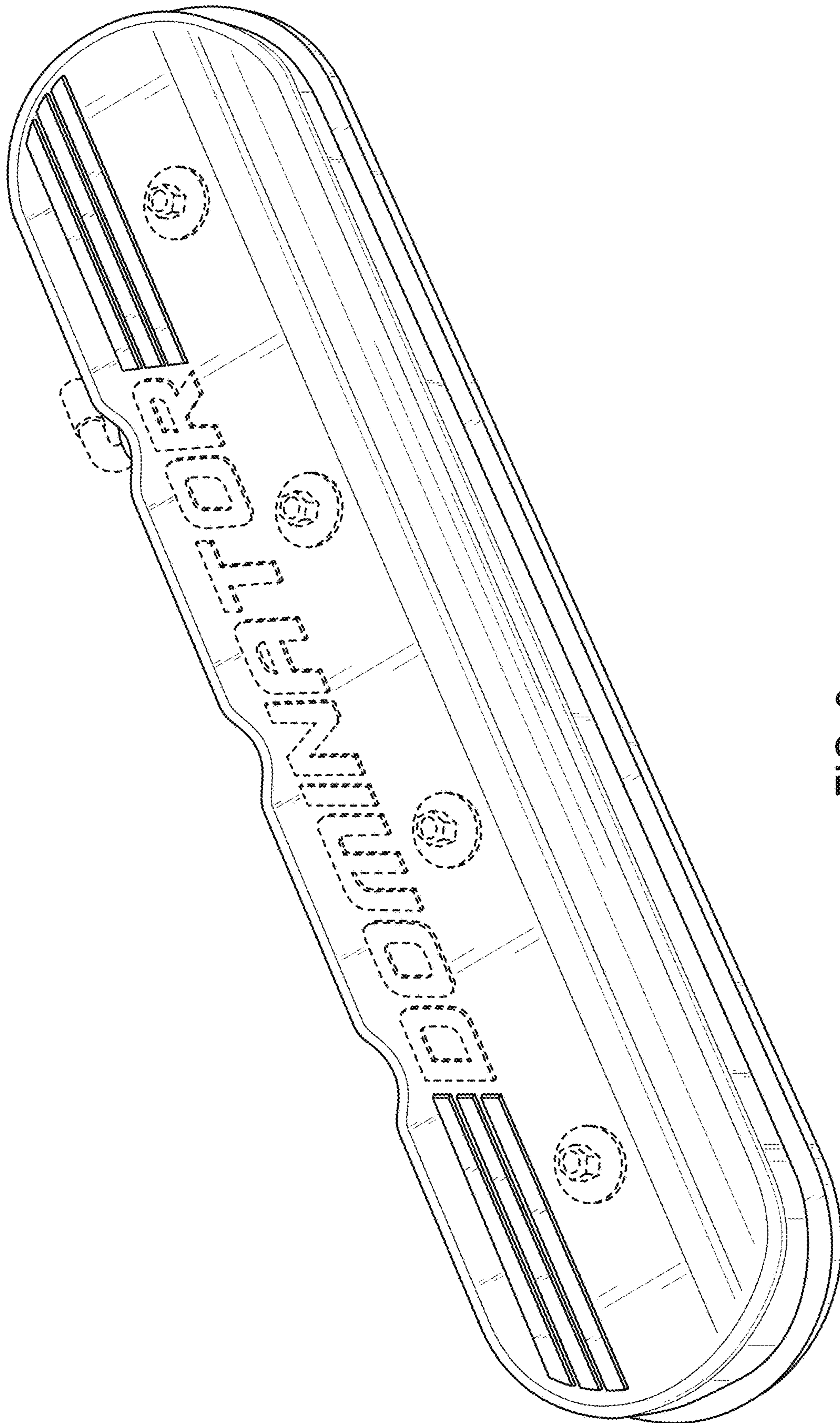


FIG. 8

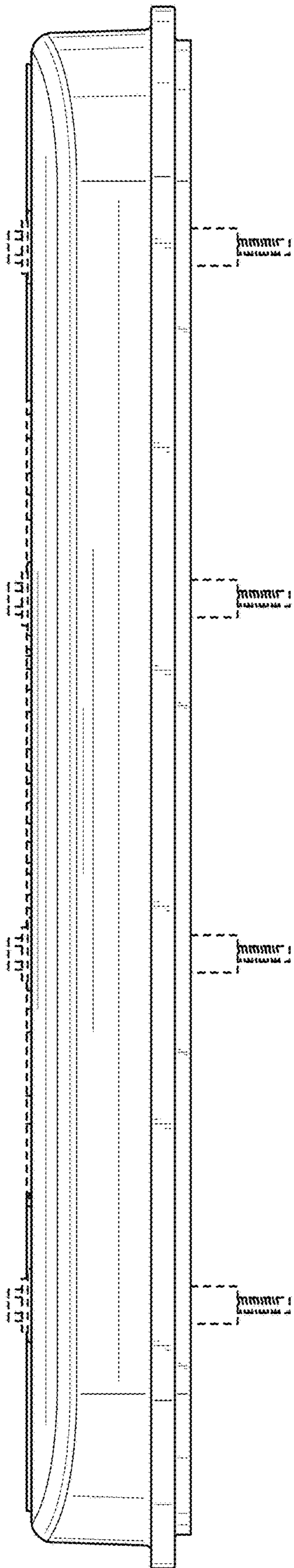


FIG. 9

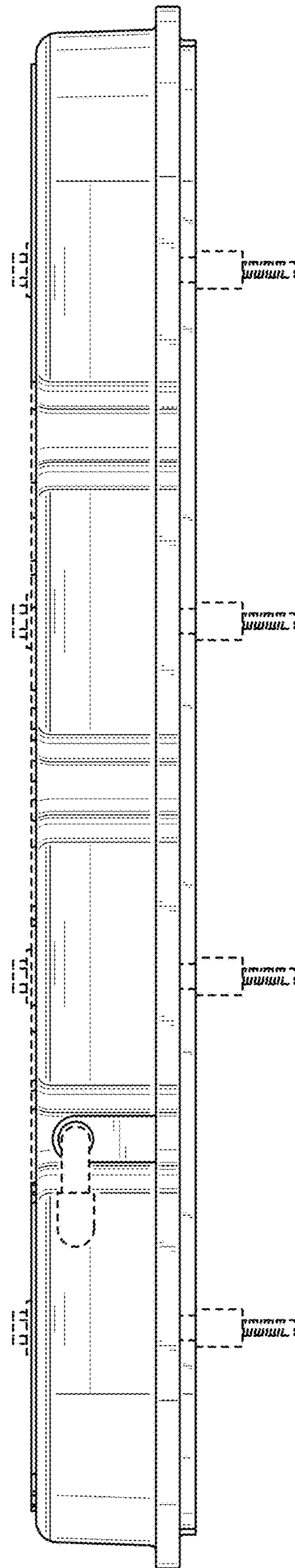


FIG. 10

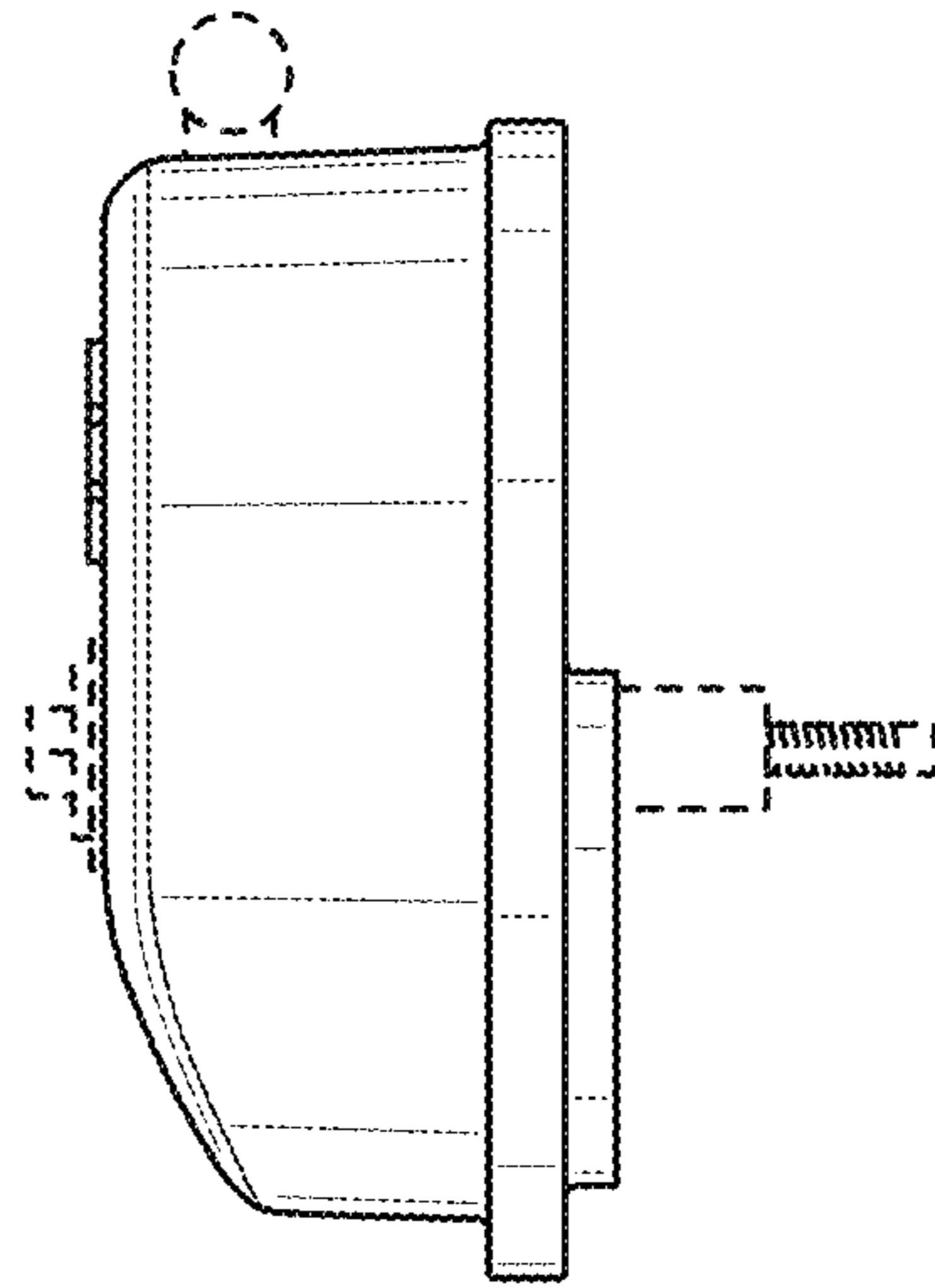


FIG. 11

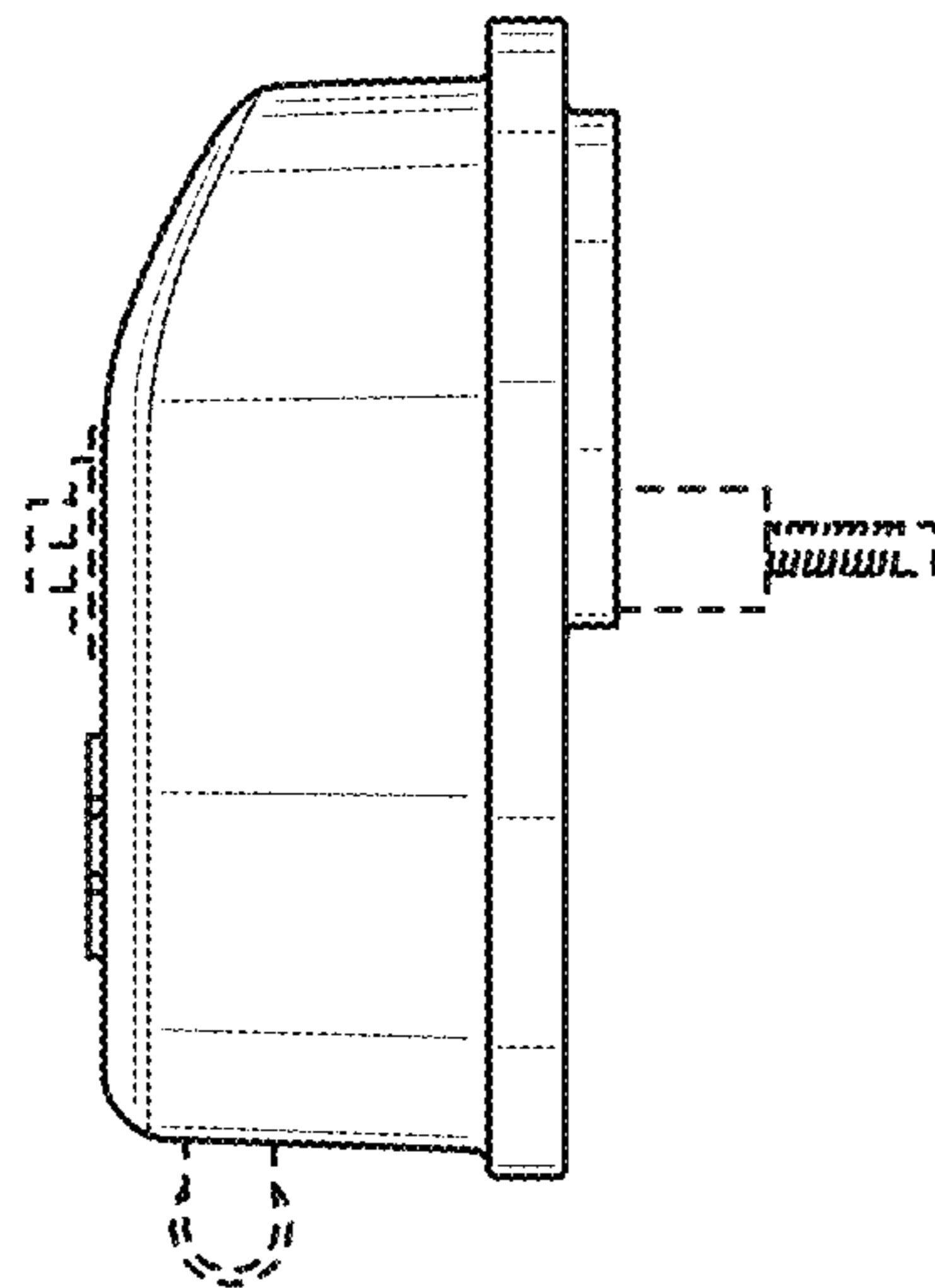


FIG. 12

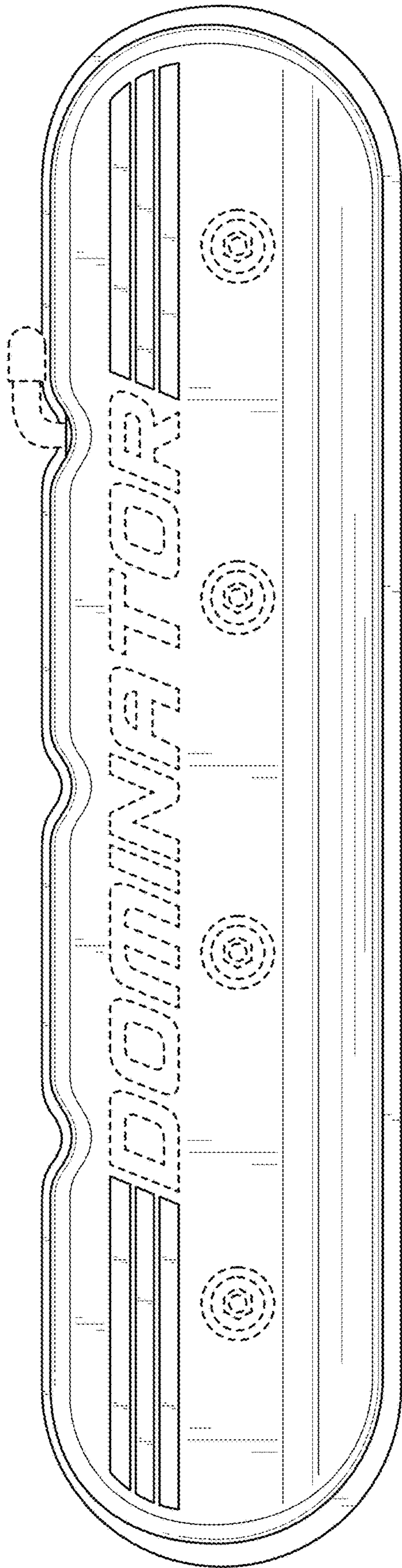


FIG. 13

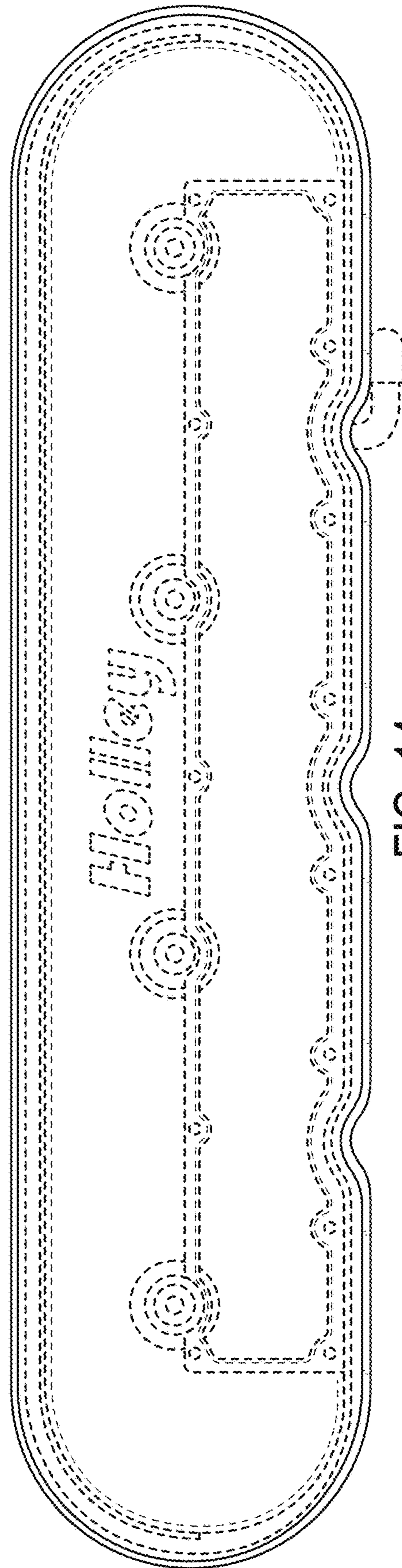


FIG. 14