



US00D812624S

(12) **United States Design Patent**  
**Kim et al.**

(10) **Patent No.:** **US D812,624 S**

(45) **Date of Patent:** **\*\* Mar. 13, 2018**

(54) **DISPLAY SCREEN OR PORTION THEREOF WITH GRAPHICAL USER INTERFACE**

(71) Applicant: **S-Printing Solution Co., Ltd.**,  
Suwon-si (KR)

(72) Inventors: **Min Chul Kim**, Seoul (KR); **Jong Kyu Kim**, Yongin-si (KR)

(73) Assignee: **S-Printing Solution Co., Ltd.**,  
Suwon-si (KR)

(\*\*) Term: **15 Years**

(21) Appl. No.: **29/533,315**

(22) Filed: **Jul. 16, 2015**

(30) **Foreign Application Priority Data**

Jan. 21, 2015 (KR) ..... 30-2015-0003089

(51) **LOC (11) Cl.** ..... **14-04**

(52) **U.S. Cl.**  
USPC ..... **D14/485**

(58) **Field of Classification Search**  
USPC ..... D14/485-495  
CPC .... G06F 3/048; G06F 3/0481; G06F 3/04812;  
G06F 3/04815; G06F 3/04817; G06F  
3/0482; G06F 3/0483; G06F 3/0484;  
G06F 3/04842; G06F 3/04845; G06F  
3/04847; G06F 3/0485; G06F 3/04855;  
G06F 3/0486; G06F 3/0487; G06F  
3/0488; G06F 3/04883; G06F 3/04886;  
H04N 1/00424

See application file for complete search history.

(56) **References Cited**

**U.S. PATENT DOCUMENTS**

D561,193 S \* 2/2008 O'Mullan ..... D14/487  
D638,850 S \* 5/2011 Woods ..... D14/486

D648,346 S \* 11/2011 Anzures ..... D14/486  
D676,057 S \* 2/2013 Lee ..... D14/487  
D701,217 S \* 3/2014 Kim ..... D14/485  
D701,225 S \* 3/2014 Jung ..... D14/486  
D703,695 S \* 4/2014 Anzures ..... D14/488  
D705,810 S \* 5/2014 Ma ..... D14/487  
D708,203 S \* 7/2014 Johnson ..... D14/487  
D714,811 S \* 10/2014 Kim ..... D14/485  
D716,318 S \* 10/2014 Fan ..... D14/485  
D716,325 S \* 10/2014 Brudnicki ..... D14/486  
D716,345 S \* 10/2014 Morris ..... D14/492  
D717,335 S \* 11/2014 Sakuma ..... D14/487  
D718,321 S \* 11/2014 Charles ..... D14/486  
D724,618 S \* 3/2015 Shin ..... D14/487  
D732,062 S \* 6/2015 Kwon ..... D14/487  
D736,255 S \* 8/2015 Lim ..... D14/492  
9,178,981 B2 \* 11/2015 Cho ..... G06F 21/6218  
D745,052 S \* 12/2015 Um ..... D14/487  
D754,182 S \* 4/2016 Kouthoofd ..... D14/487  
D754,682 S \* 4/2016 Lee ..... D14/485  
D754,713 S \* 4/2016 Zhang ..... D14/487  
D754,714 S \* 4/2016 Zhang ..... D14/487  
D758,442 S \* 6/2016 Sin ..... D14/492  
D762,663 S \* 8/2016 Lee ..... D14/485

(Continued)

*Primary Examiner* — Melanie H Tung  
*Assistant Examiner* — Bao-Yen Nguyen  
(74) *Attorney, Agent, or Firm* — NSIP Law

(57) **CLAIM**

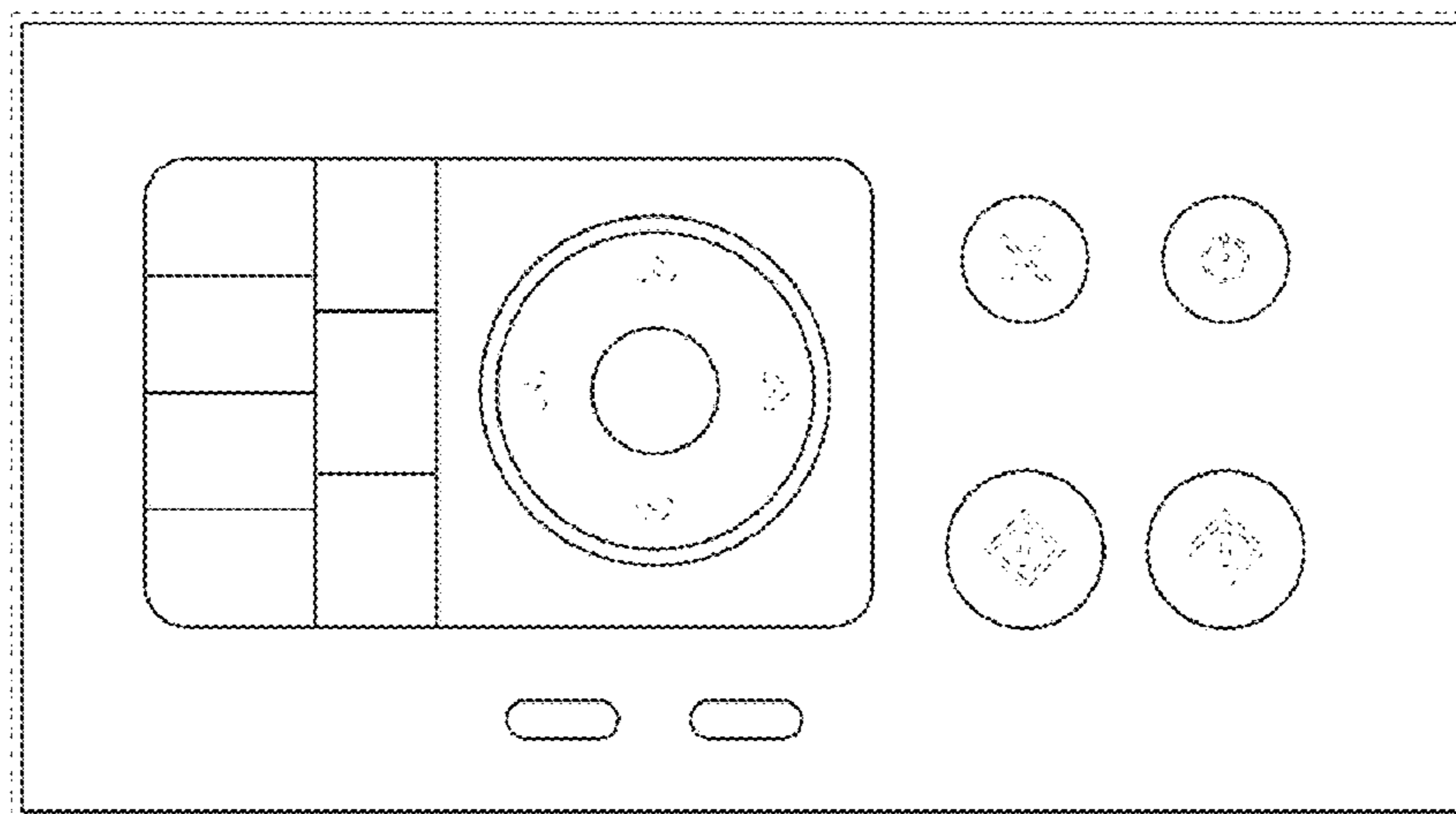
We claim the ornamental design for a display screen or portion thereof with graphical user interface, as shown and described.

**DESCRIPTION**

The sole FIGURE is a front view of a display screen or portion thereof with graphical user interface showing our new design.

The broken lines illustrate the display screen or portion thereof and form no part of the claimed design. The broken lines illustrate portions of the graphical user interface and form no part of the claimed design.

**1 Claim, 1 Drawing Sheet**



(56)

**References Cited**

U.S. PATENT DOCUMENTS

D766,267	S	*	9/2016	Lee	.....	D14/485
D766,303	S	*	9/2016	Anzures	.....	D14/486
2007/0152979	A1	*	7/2007	Jobs	.....	G06F 3/0236 345/173
2008/0109839	A1	*	5/2008	Bruce	.....	H04L 29/06027 725/25
2009/0083665	A1	*	3/2009	Anttila	.....	G06F 3/0482 715/834
2012/0274662	A1	*	11/2012	Kim	.....	G06F 3/0488 345/650

\* cited by examiner

