



US00D812622S

(12) **United States Design Patent**
Moon

(10) **Patent No.:** **US D812,622 S**
(45) **Date of Patent:** **** Mar. 13, 2018**

- (54) **PORTABLE TERMINAL**
- (71) Applicant: **HANWHA TECHWIN CO., LTD.,**
Changwon-si (KR)
- (72) Inventor: **Mi Jung Moon,** Changwon-si (KR)
- (73) Assignee: **Hanwha Techwin Co., Ltd.,**
Changwon-si (KR)
- (**) Term: **15 Years**
- (21) Appl. No.: **29/596,109**
- (22) Filed: **Mar. 6, 2017**
- (30) **Foreign Application Priority Data**
Sep. 6, 2016 (KR) 30-2016-0043705
- (51) **LOC (11) Cl.** **14-02**
- (52) **U.S. Cl.**
USPC **D14/440**
- (58) **Field of Classification Search**
USPC D14/440, 426, 300, 447; 206/45.23, 320,
206/45.2; 361/679.55; 294/25; 224/218
CPC ... G06F 1/1628; G06F 1/1626; A47B 23/044;
H04B 1/3888
See application file for complete search history.

- (56) **References Cited**
U.S. PATENT DOCUMENTS
6,726,070 B2 * 4/2004 Lautner A44C 5/0007
224/221
D492,303 S * 6/2004 Schlieffers D14/341
D564,375 S 3/2008 Uno
D591,801 S * 5/2009 Mak D21/469
D594,004 S * 6/2009 Takemasa D14/341
D611,467 S * 3/2010 Gou D14/315
D613,285 S * 4/2010 Grant D14/341
D626,123 S * 10/2010 Peng D14/324
D676,449 S * 2/2013 Probst D14/440

- D685,376 S * 7/2013 Kim D14/439
- D689,056 S * 9/2013 Li D14/440
- D690,704 S * 10/2013 Padilla D14/440
- D691,144 S * 10/2013 Peters D14/440
- D694,246 S * 11/2013 Park D14/440
- D703,672 S * 4/2014 Kim D14/440
- 8,690,210 B1 * 4/2014 May A45F 5/00
224/217
- D712,412 S * 9/2014 Bleau D14/440
- D721,075 S * 1/2015 Toda D14/342
- D721,376 S * 1/2015 Lee D14/440
- D725,659 S * 3/2015 Tussy D14/440
- D727,917 S * 4/2015 Yeo D14/440
- D733,154 S * 6/2015 Armstrong D14/440
- D741,335 S * 10/2015 Bastian D14/440
- D747,321 S * 1/2016 London D14/440
- D749,592 S * 2/2016 Huang D14/440
- D752,052 S * 3/2016 Park D14/440

(Continued)

Primary Examiner — Cynthia Underwood
(74) *Attorney, Agent, or Firm* — H.C. Park & Associates,
PLC

(57) **CLAIM**

The ornamental design for a portable terminal, as shown and described.

DESCRIPTION

FIG. 1 is a rear perspective view of the portable terminal;
FIG. 2 is a rear view thereof;
FIG. 3 is a front view thereof;
FIG. 4 is a right side view thereof;
FIG. 5 is a left side view thereof;
FIG. 6 is a top view thereof; and,
FIG. 7 is a bottom view thereof.
The broken line portions in the drawings are shown to illustrate environment only and form no part of the claimed design.
The dot-dash broken lines in the figures define the boundaries of the claimed design but form no part thereof.

1 Claim, 6 Drawing Sheets

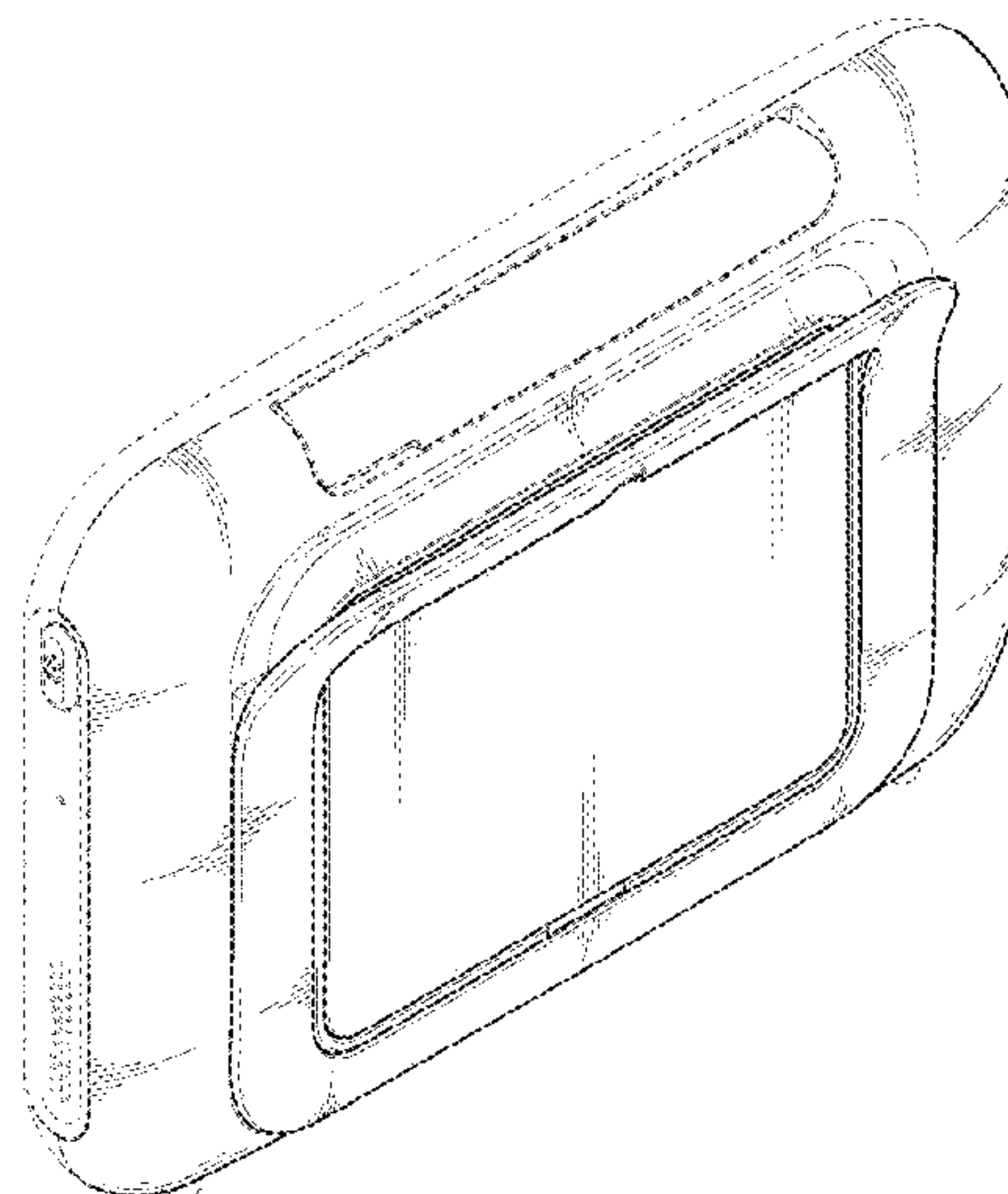


FIG. 1

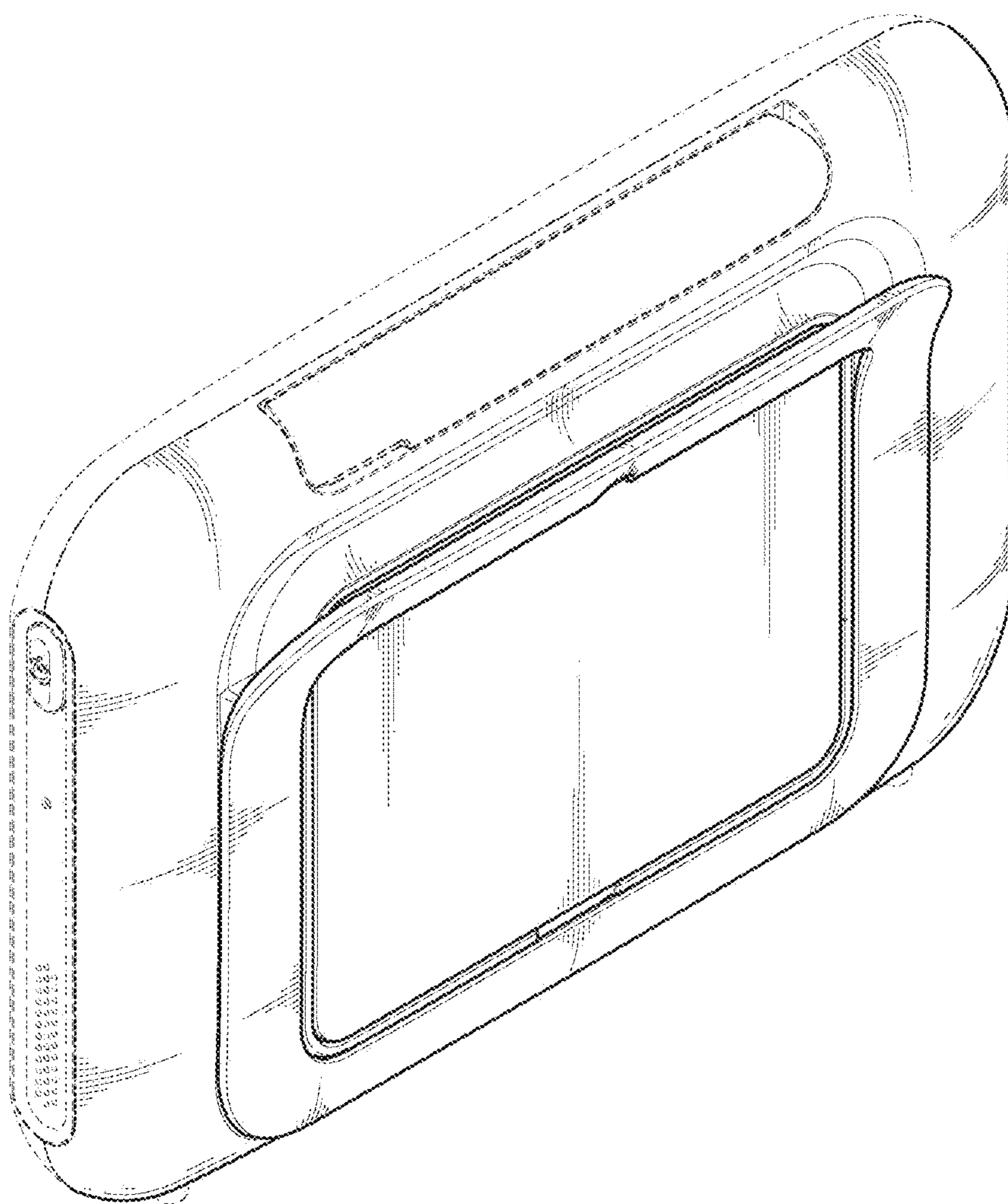


FIG. 2

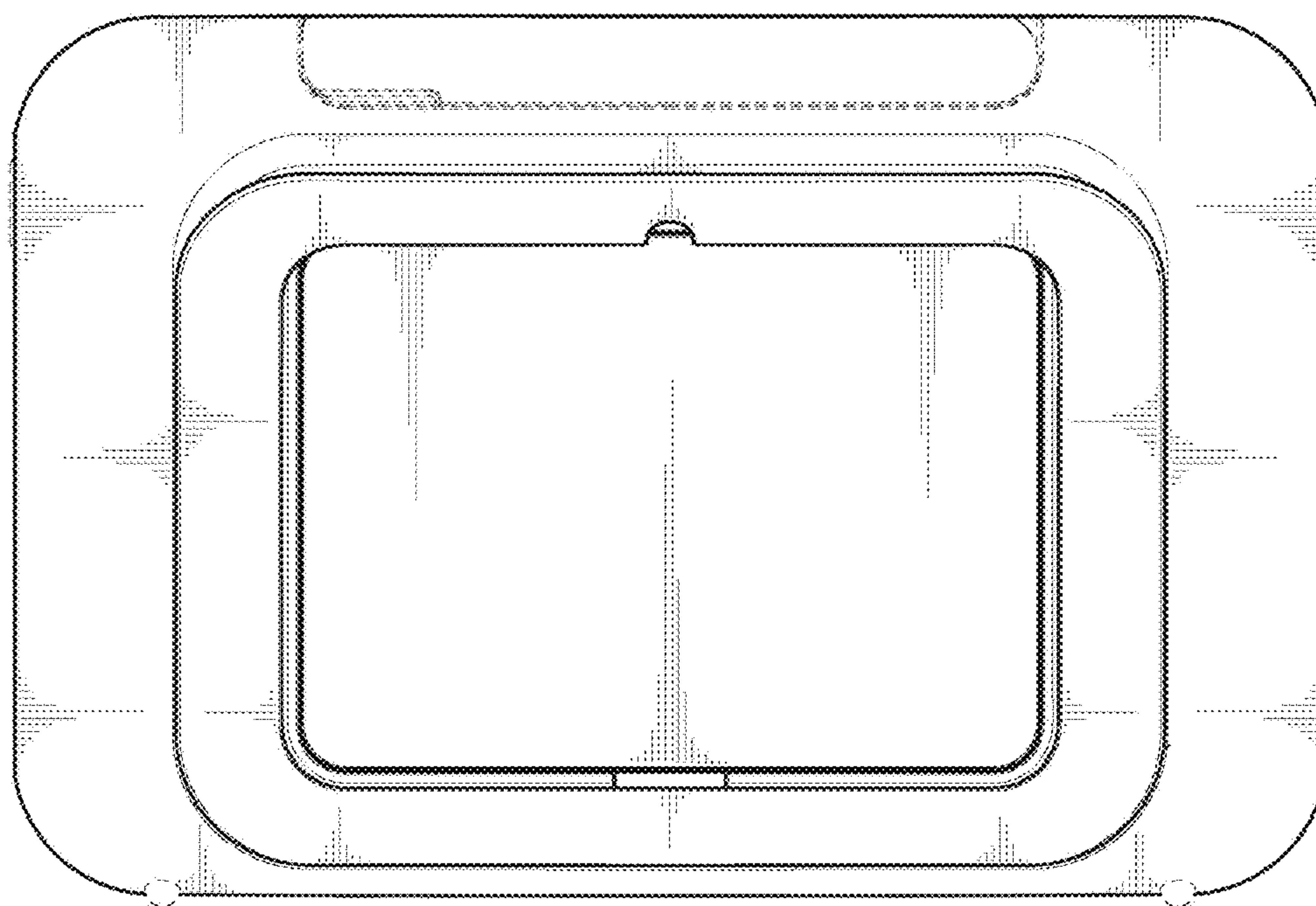


FIG. 3



FIG. 4

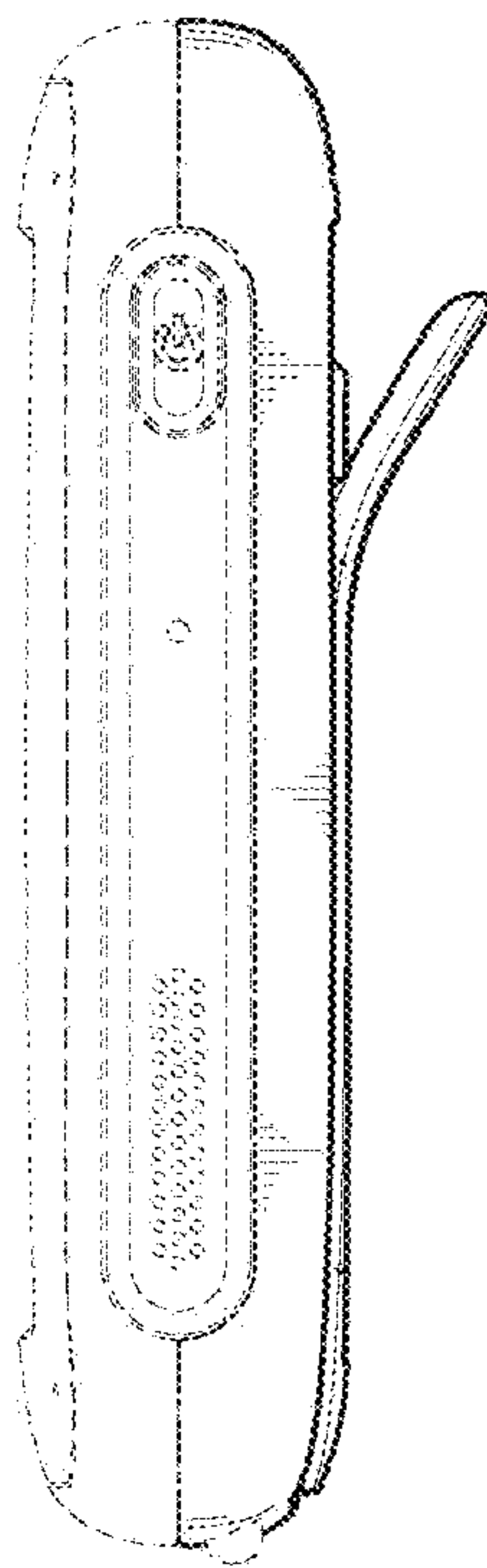


FIG. 5

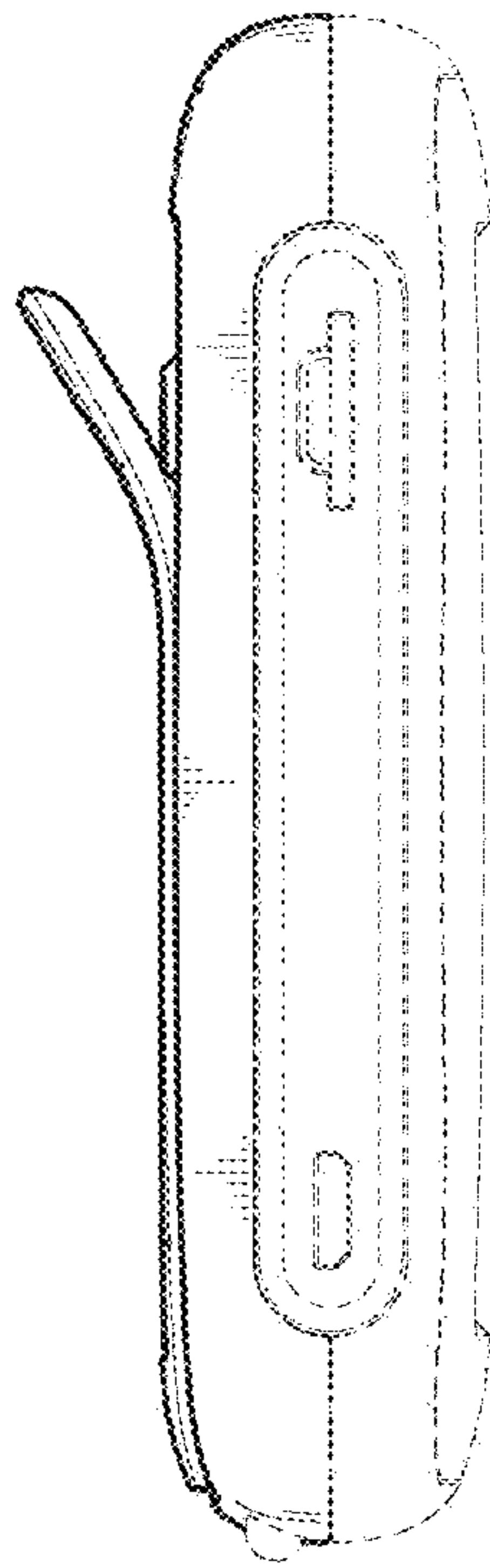


FIG. 6

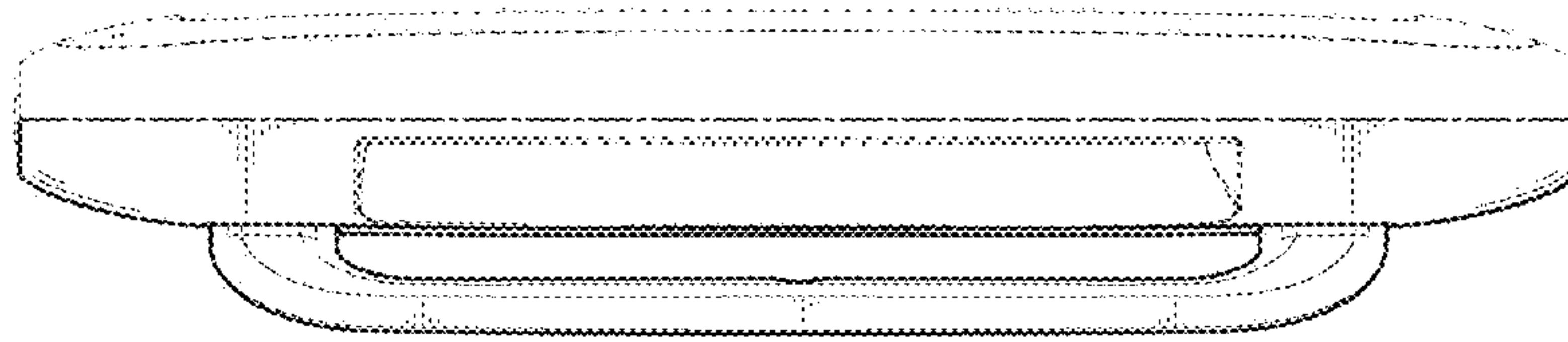


FIG. 7

