



US00D812616S

(12) **United States Design Patent** (10) **Patent No.:** **US D812,616 S**
Potash (45) **Date of Patent:** **** Mar. 13, 2018**

- (54) **DESKTOP KIOSK**
- (71) Applicant: **CERTIFY GLOBAL INC.**, Rockville, MD (US)
- (72) Inventor: **Marc Potash**, North Bethesda, MD (US)
- (73) Assignee: **CERTIFY GLOBAL INC.**, Rockville, MD (US)

D532,009 S *	11/2006	Zank	D14/342
D673,952 S *	1/2013	Toda	D14/383
D711,875 S *	8/2014	Daniel	D14/385
D712,407 S *	9/2014	Chang	D14/389
D712,902 S *	9/2014	Daniel	D14/385
D730,355 S *	5/2015	Daniel	D14/307
D730,899 S *	6/2015	Daniel	D14/385
D751,076 S *	3/2016	Buesseler	D14/385
D762,648 S *	8/2016	Akana	D14/434
D770,451 S *	11/2016	Gilbertson	D14/383
D789,362 S *	6/2017	Eljas	D14/366
2014/0263647 A1 *	9/2014	Grziwok	G06K 7/084 235/449

(**) Term: **15 Years**

(21) Appl. No.: **29/572,690**

(22) Filed: **Jul. 29, 2016**

(51) **LOC (11) Cl.** **14-02**

(52) **U.S. Cl.**
USPC **D14/383**

(58) **Field of Classification Search**
 USPC D13/102–110, 118–119, 184, 199;
 D14/251, 253, 432, 434, 307, 240, 250,
 D14/440, 383, 384, 385; D18/4.1–4.6;
 D10/104.1
 CPC Y02E 60/12; Y02T 90/14; Y02T 90/122;
 Y02T 90/128; Y02T 90/163; H02J 7/025;
 H02J 7/0042; H02J 7/0045; H02J 7/0003;
 H01F 38/14; H01R 13/6675; H01M
 2/1022; H01M 2/1055; H01M 10/44;
 H01M 10/46; H01M 10/425; B60L
 11/182; G06Q 20/16

See application file for complete search history.

(56) **References Cited**

U.S. PATENT DOCUMENTS

D359,474 S *	6/1995	Palatov	D13/108
D362,427 S *	9/1995	Mizusugi	D18/4.4
D385,904 S *	11/1997	Kim	D14/336
D428,047 S *	7/2000	Kolls	D18/4.6

* cited by examiner

Primary Examiner — Rosemary K Tarcza

Assistant Examiner — Alison M Ofstun

(74) *Attorney, Agent, or Firm* — Symbus Law Group, LLC; Clifford D. Hyra

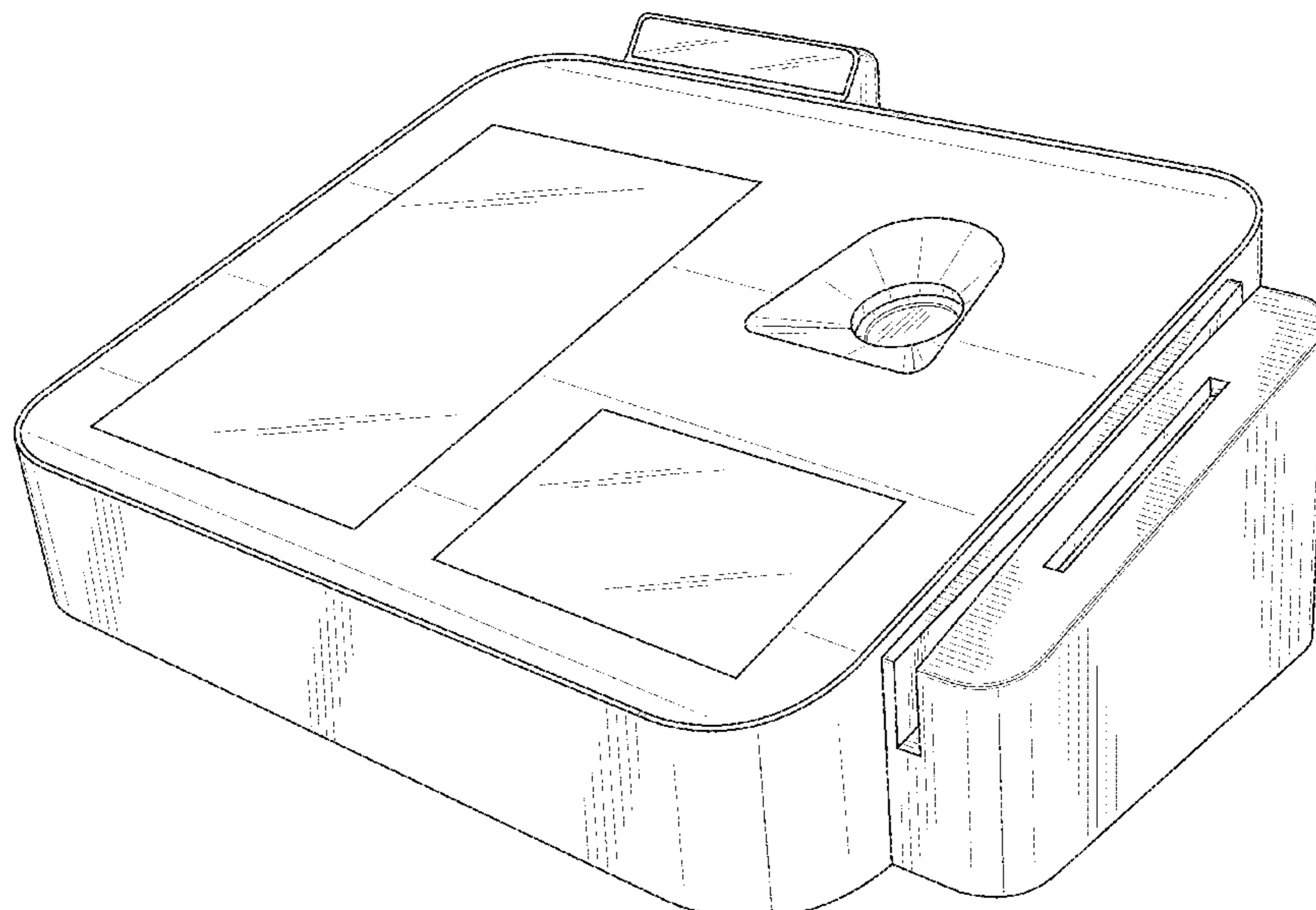
(57) **CLAIM**

The ornamental design for a desktop kiosk, as shown and described.

DESCRIPTION

FIG. 1 is a top, front, right perspective view of a desktop kiosk, showing my new design;
 FIG. 2 is a front view thereof;
 FIG. 3 is a rear view thereof;
 FIG. 4 is a left side view thereof;
 FIG. 5 is a right side view thereof;
 FIG. 6 is a top view thereof; and
 FIG. 7 is a bottom view thereof; and,
 FIG. 8 is a perspective view thereof, shown with the segregable card reader removed for clarity of illustration. The broken lines present in the drawings are included for the purpose of illustrating portions of the article which form no part of the claimed design.

1 Claim, 8 Drawing Sheets



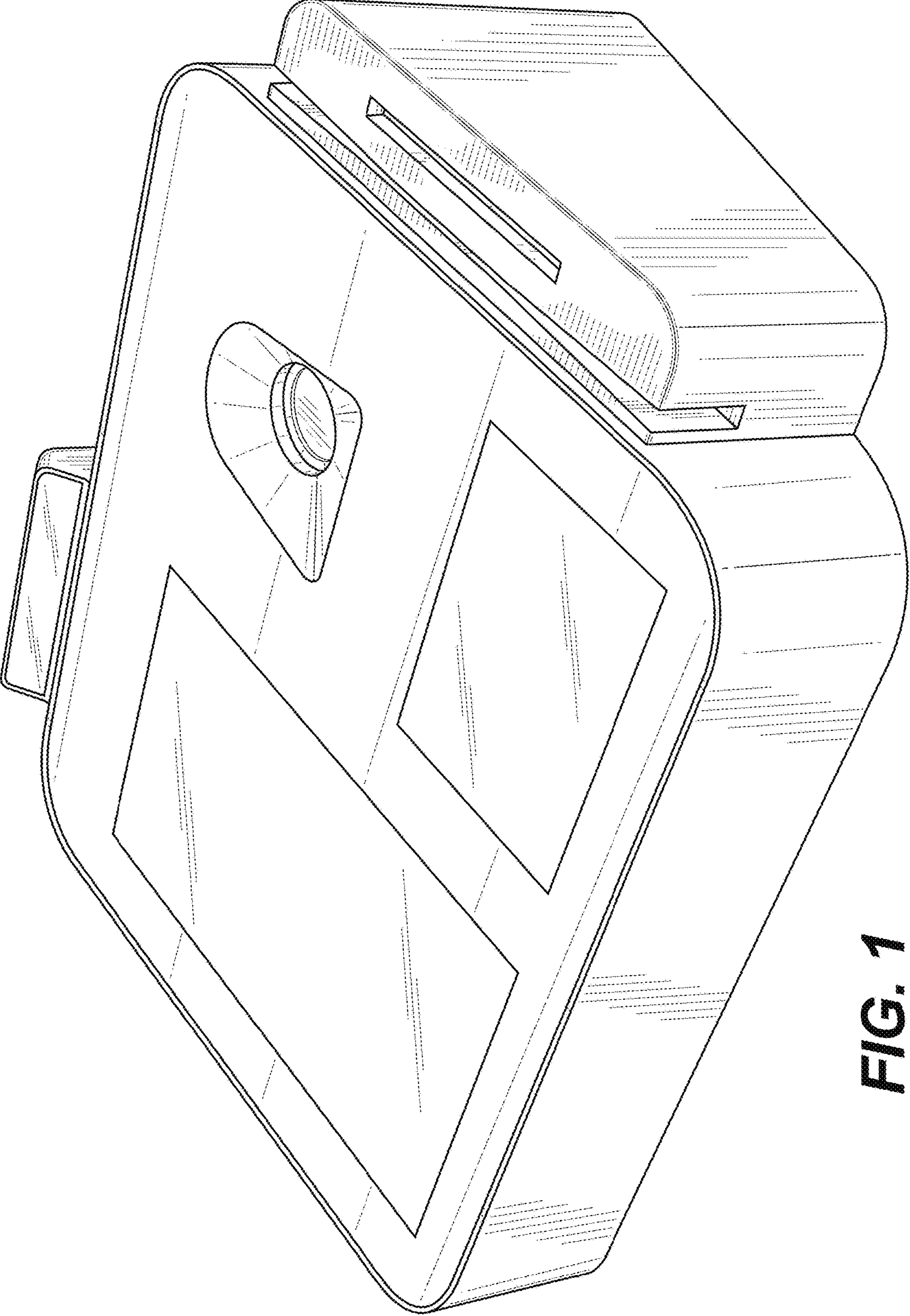


FIG. 1

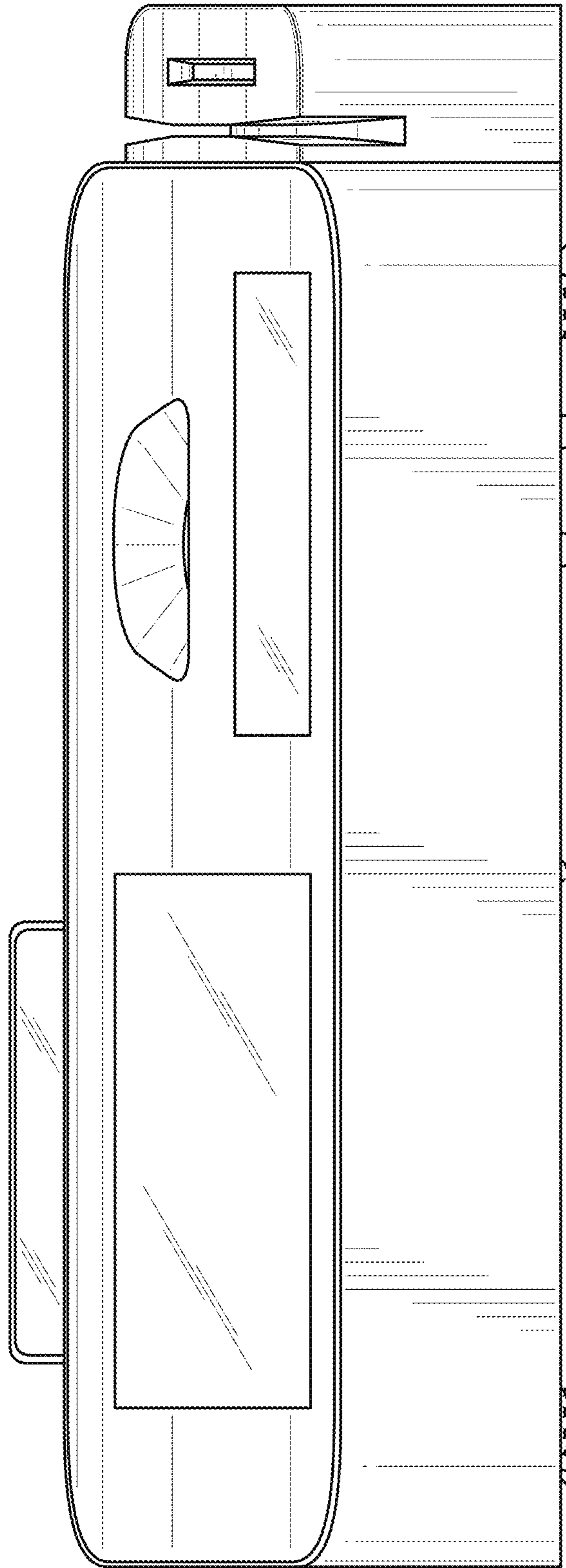


FIG. 2

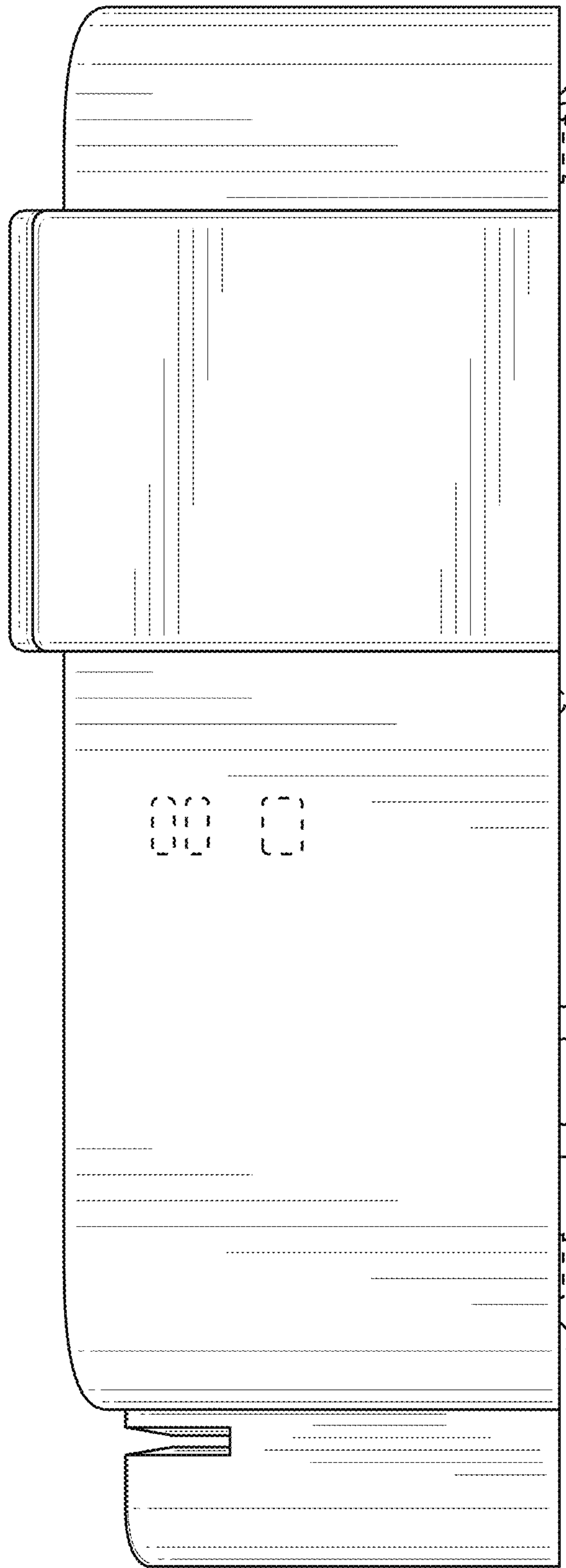


FIG. 3

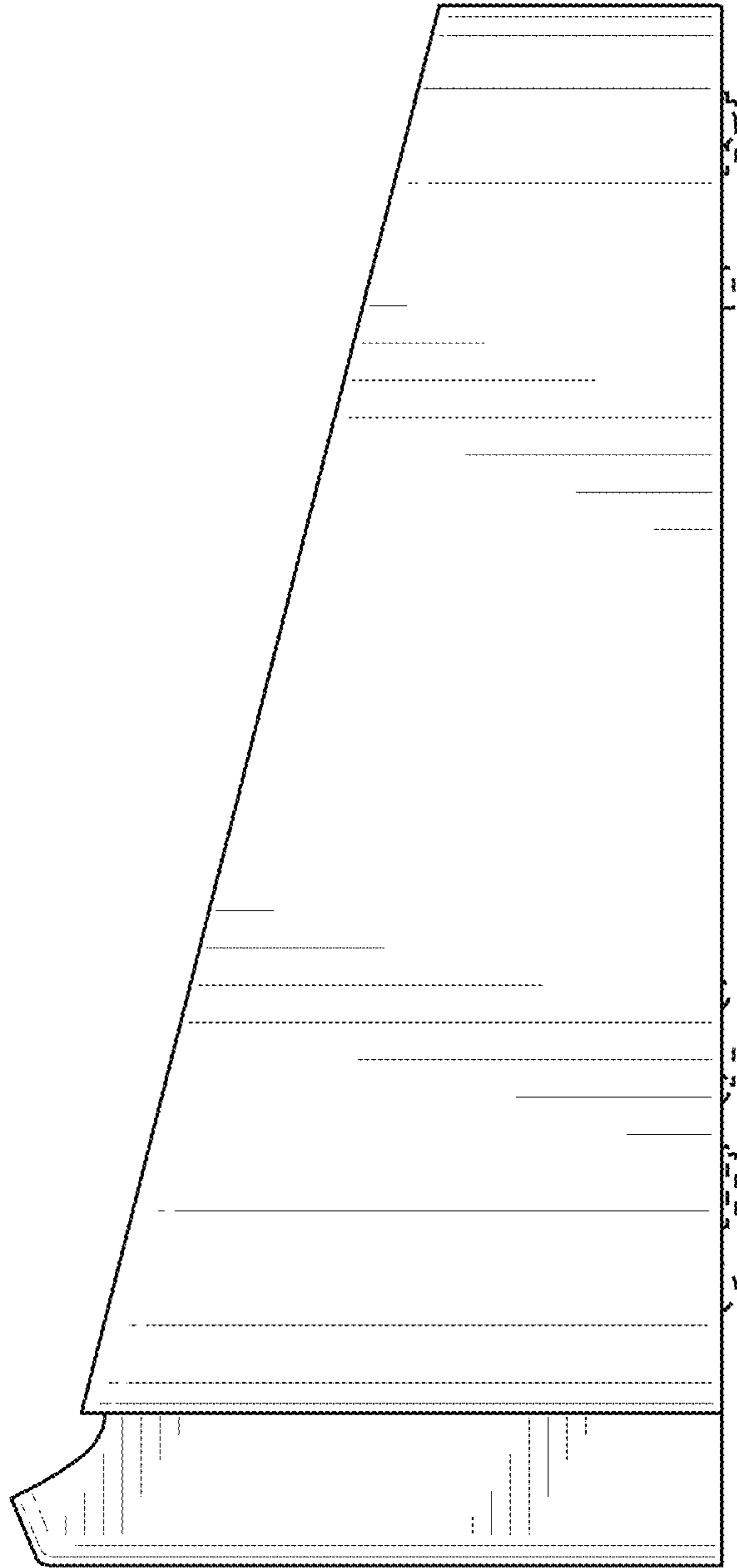


FIG. 4

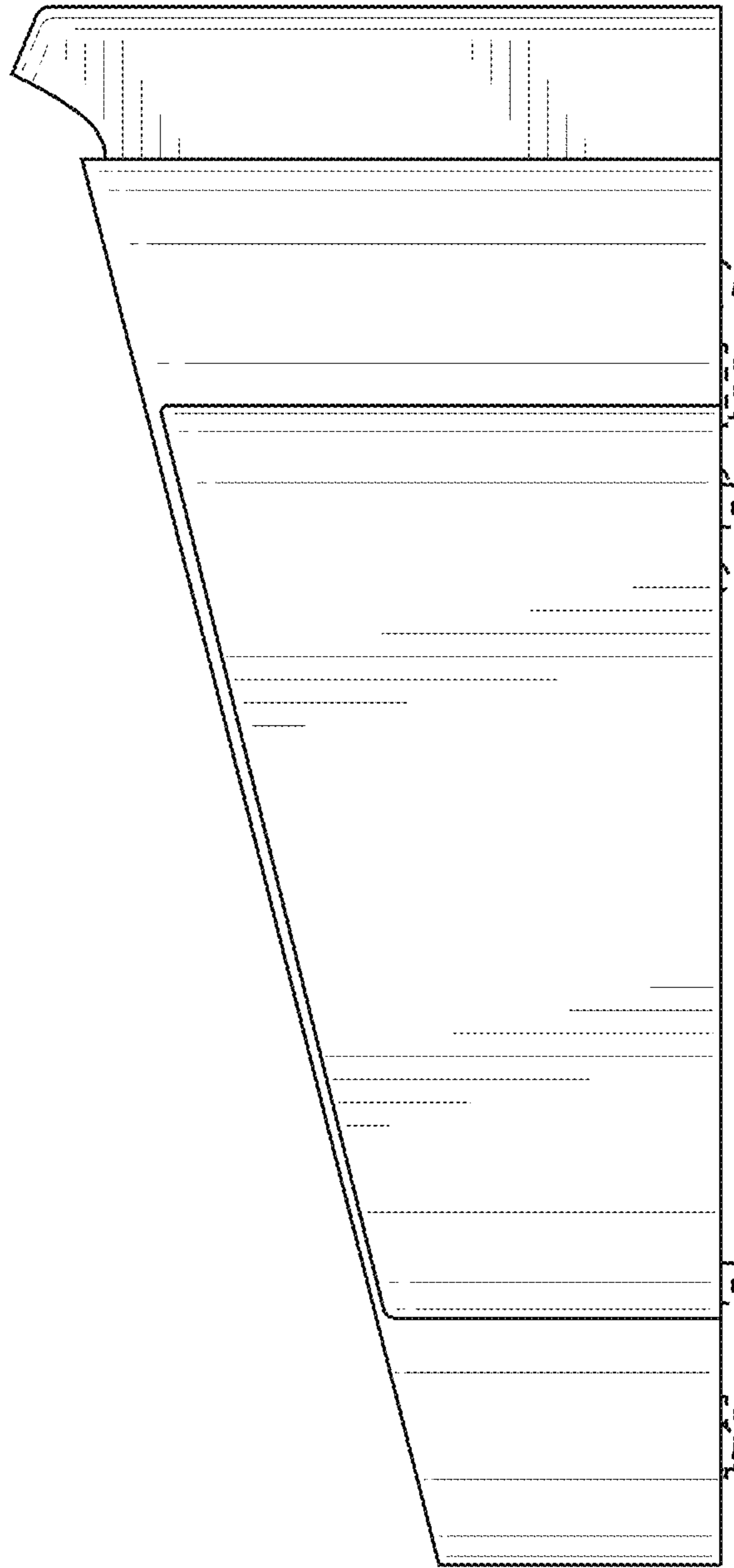


FIG. 5

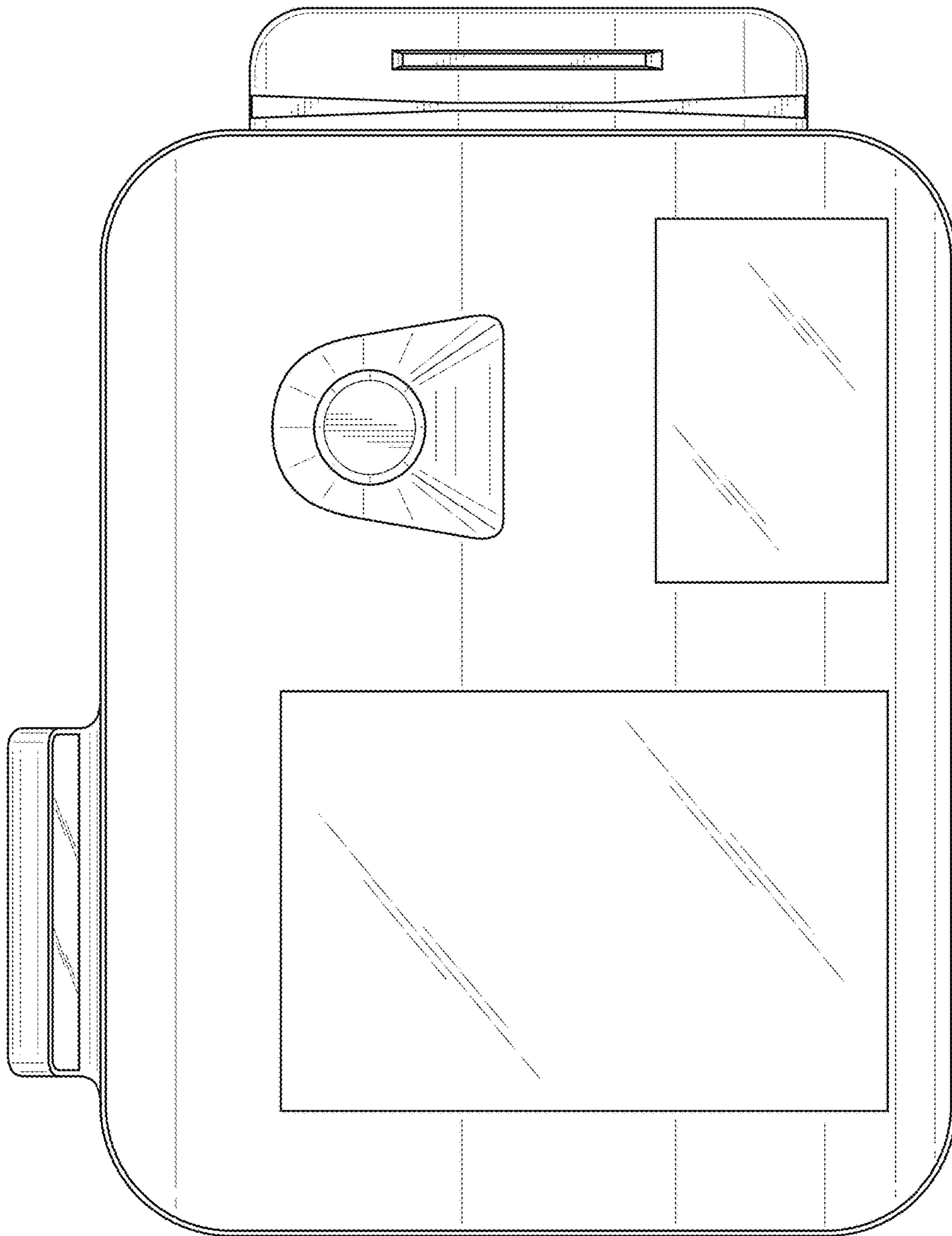


FIG. 6

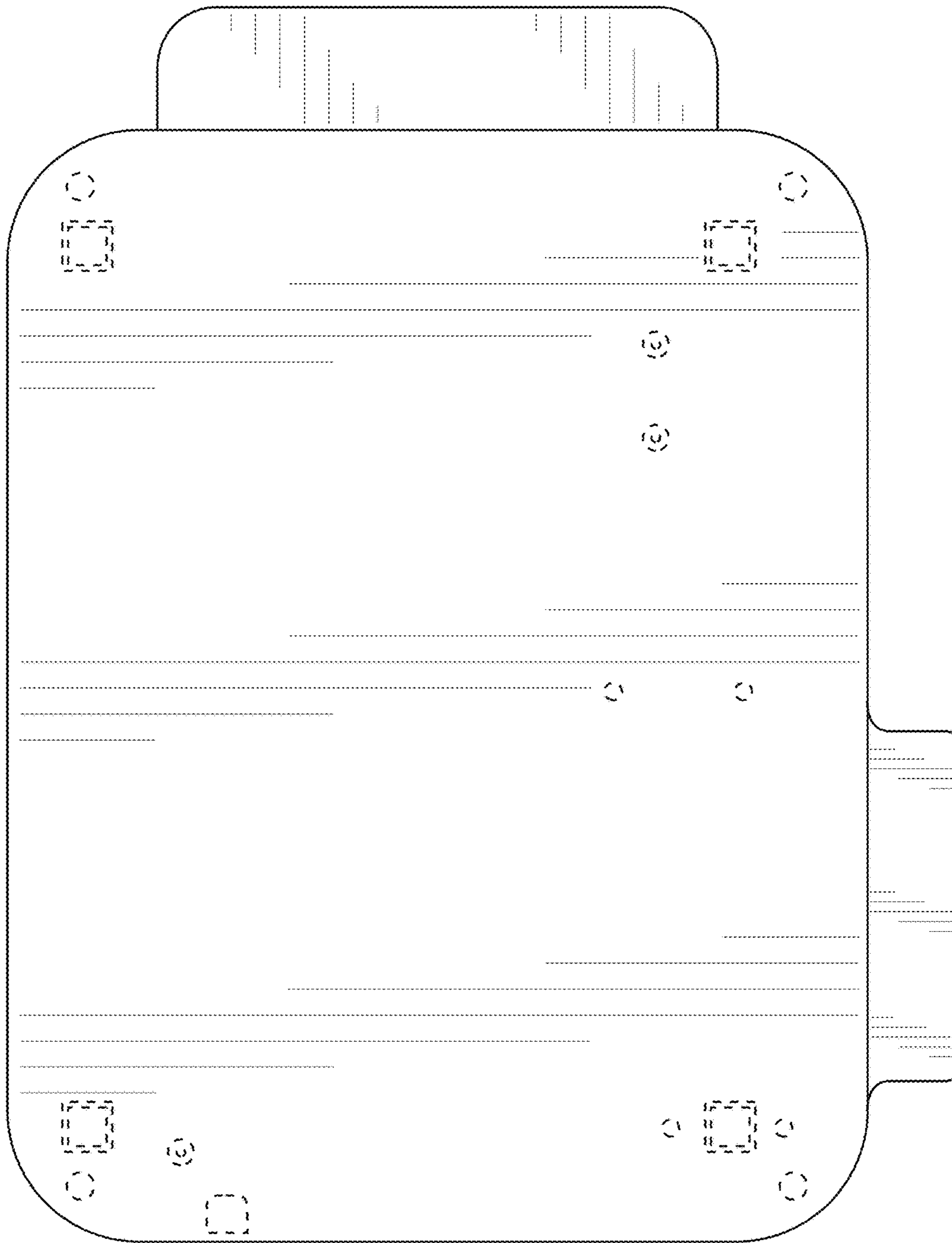


FIG. 7

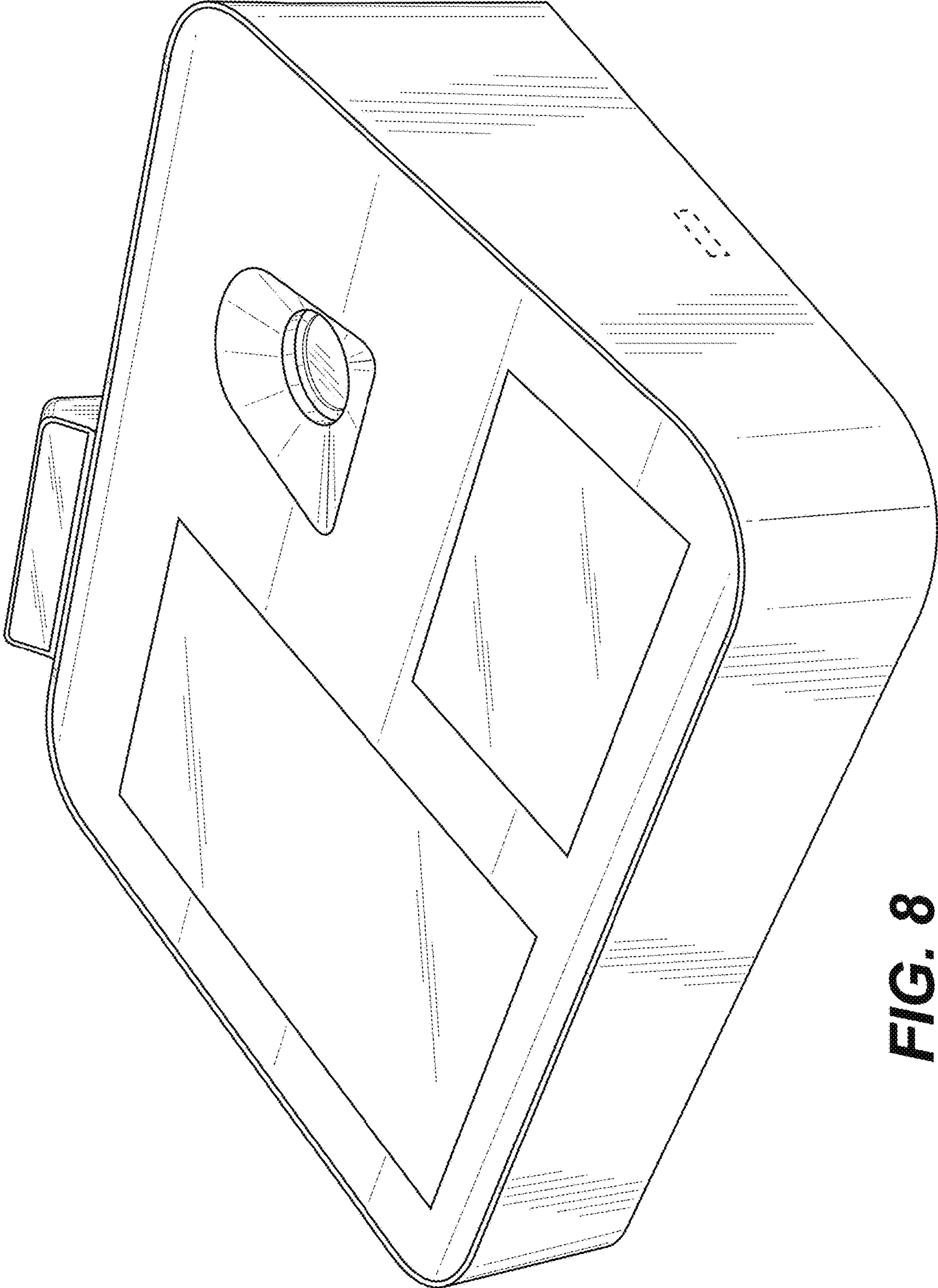


FIG. 8