



US00D812615S

(12) **United States Design Patent** (10) **Patent No.:** **US D812,615 S**
Lee et al. (45) **Date of Patent:** **** Mar. 13, 2018**

- (54) **DISPLAY DEVICE**
- (71) Applicant: **Dell Products L.P.**, Round Rock, TX (US)
- (72) Inventors: **Yun Qin Lee**, Singapore (SG); **Justin C. Lyles**, San Diego, CA (US); **Brian Hargrove Leonard**, Austin, TX (US); **Toshiyuki Tanaka**, Mendham, NJ (US); **Wai Lim Chan**, Singapore (SG); **Jung-Hwan Hong**, Austin, TX (US); **Etienne Thetard**, Singapore (SG)
- (73) Assignee: **Dell Products L.P.**, Round Rock, TX (US)
- (**) Term: **15 Years**

D558,201 S	12/2007	Park et al.	
D599,755 S	9/2009	Jin et al.	
D601,146 S	9/2009	Chueh et al.	
D602,453 S	10/2009	Ding et al.	
D694,206 S	11/2013	Seo et al.	
D714,289 S	9/2014	Shoda et al.	
D724,040 S	3/2015	Chan	
D726,717 S	4/2015	Lee et al.	
RE45,547 E	6/2015	Andre et al.	
D750,077 S *	2/2016	Lee	D14/375
D761,256 S *	7/2016	Lee	D14/371
D763,255 S *	8/2016	Lee	D14/371
D763,259 S *	8/2016	Lee	D14/375
D790,543 S *	6/2017	Chu	D14/374
2005/0088808 A1	4/2005	Michoux et al.	
2006/0076463 A1	4/2006	Drew	
2006/0175514 A1	8/2006	Yen	
2007/0146979 A1 *	6/2007	Chen	G06F 1/1601 361/679.21

- (21) Appl. No.: **29/539,207**
- (22) Filed: **Sep. 11, 2015**

Related U.S. Application Data

- (62) Division of application No. 29/528,806, filed on Jun. 1, 2015, now Pat. No. Des. 750,627.
- (51) **LOC (11) Cl.** **14-02**
- (52) **U.S. Cl.**
USPC **D14/375**
- (58) **Field of Classification Search**
USPC D14/126, 371, 374, 375
CPC B60R 11/0235; B60R 11/02; B60R 2011/0017; G06F 1/1601; G06F 2200/1612
See application file for complete search history.

(56) **References Cited**

U.S. PATENT DOCUMENTS

- D550,668 S * 9/2007 Park D14/375
- D558,200 S 12/2007 Tsai

(Continued)

Primary Examiner — Susan Bennett Hattan
Assistant Examiner — Brett Miller
 (74) *Attorney, Agent, or Firm* — Terrile, Cannatti, Chambers & Holland, LLP; Stephen A. Terrile

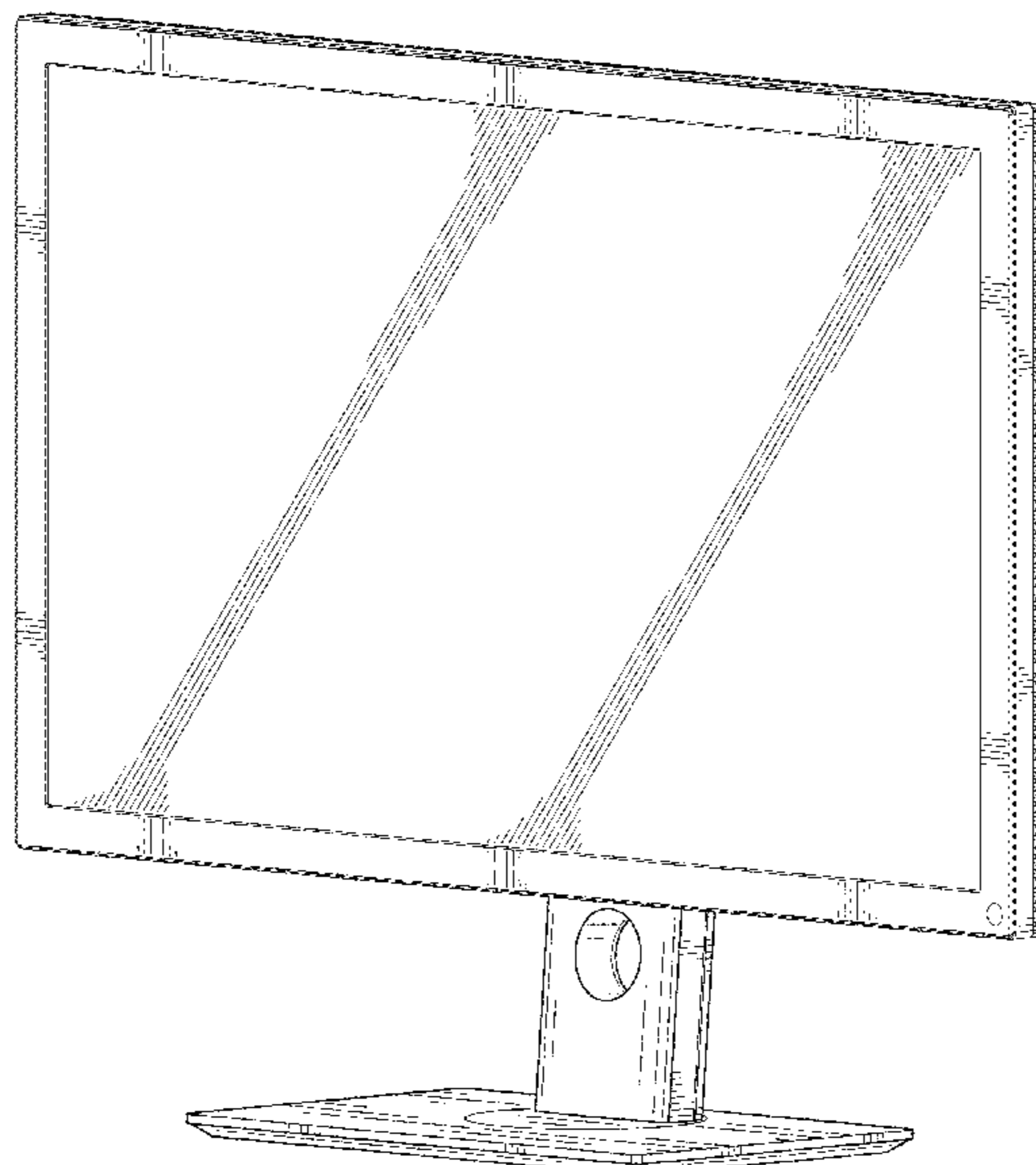
(57) **CLAIM**

We claim the ornamental design for a display device, as shown and described.

DESCRIPTION

FIG. 1 is a front perspective view of the display device comprising the present invention;
 FIG. 2 is a front view thereof;
 FIG. 3 is a rear view thereof;
 FIG. 4 is a left side view thereof;
 FIG. 5 is a right side view thereof;
 FIG. 6 is a top view thereof; and,
 FIG. 7 is a bottom view thereof.
 Broken lines shown in the drawings illustrate portions of the display device, and form no part of the claimed design.

1 Claim, 5 Drawing Sheets



(56)

References Cited

U.S. PATENT DOCUMENTS

2014/0321039 A1 * 10/2014 Quijano G06F 1/1601
361/679.22

* cited by examiner

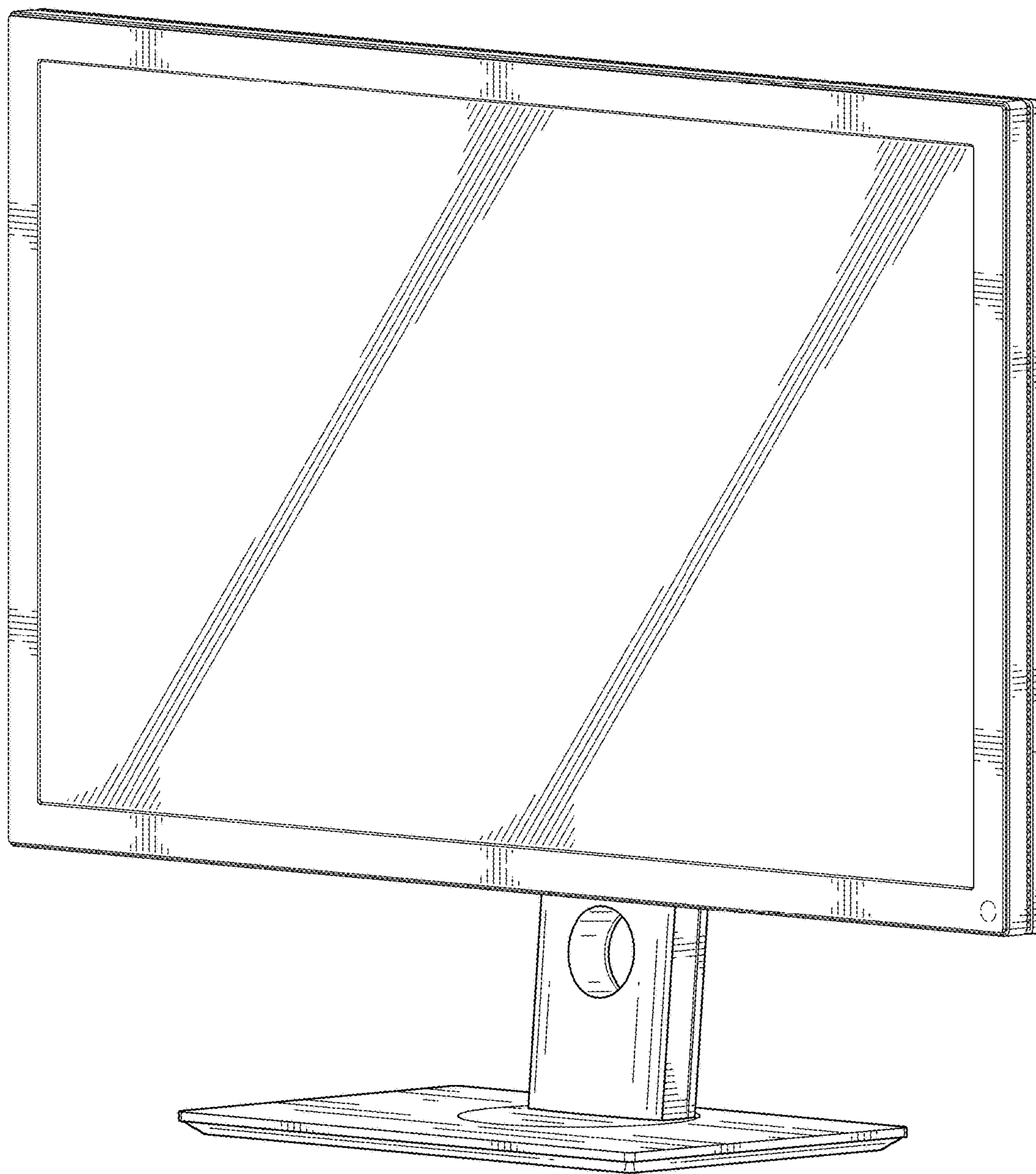


FIG. 1

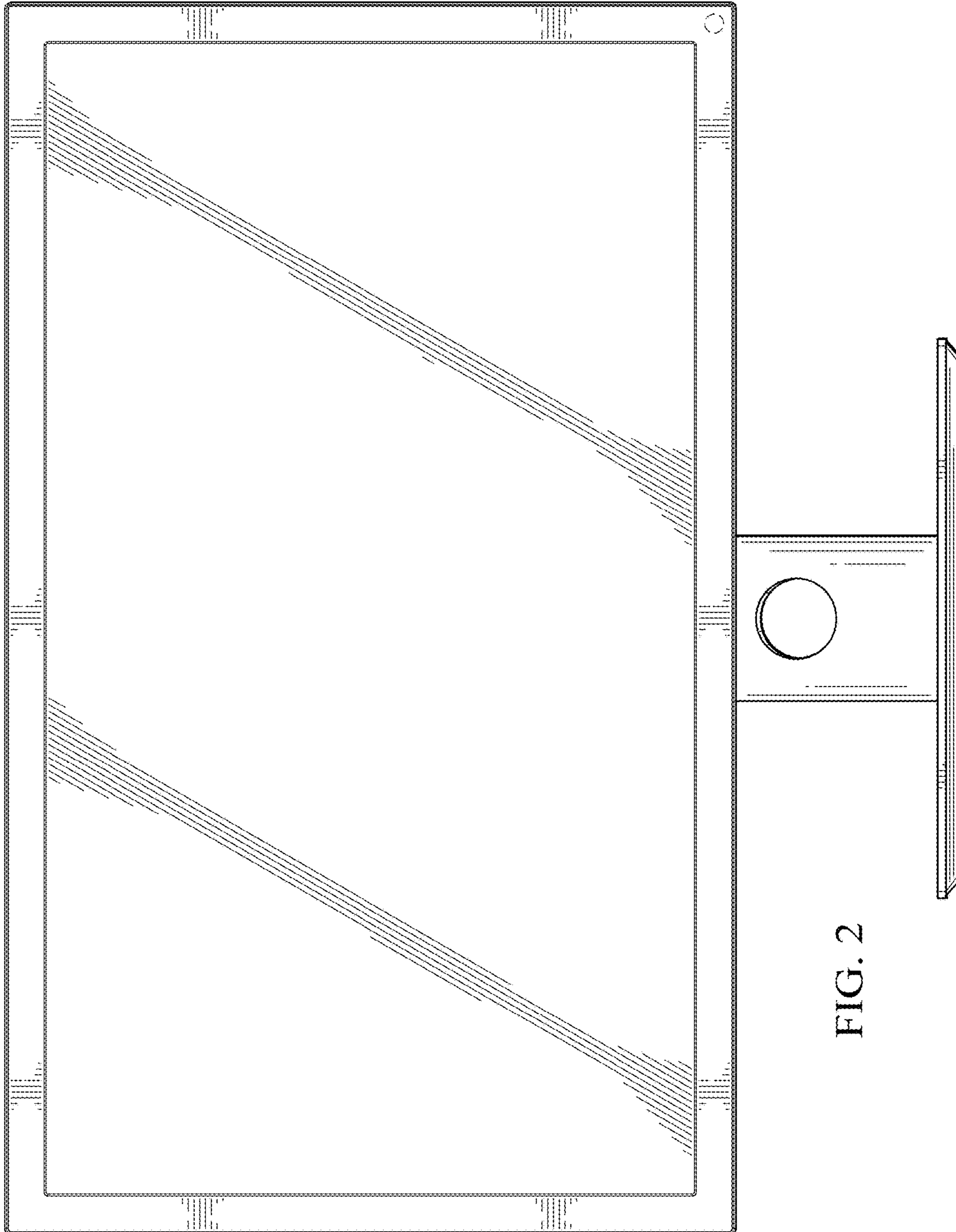
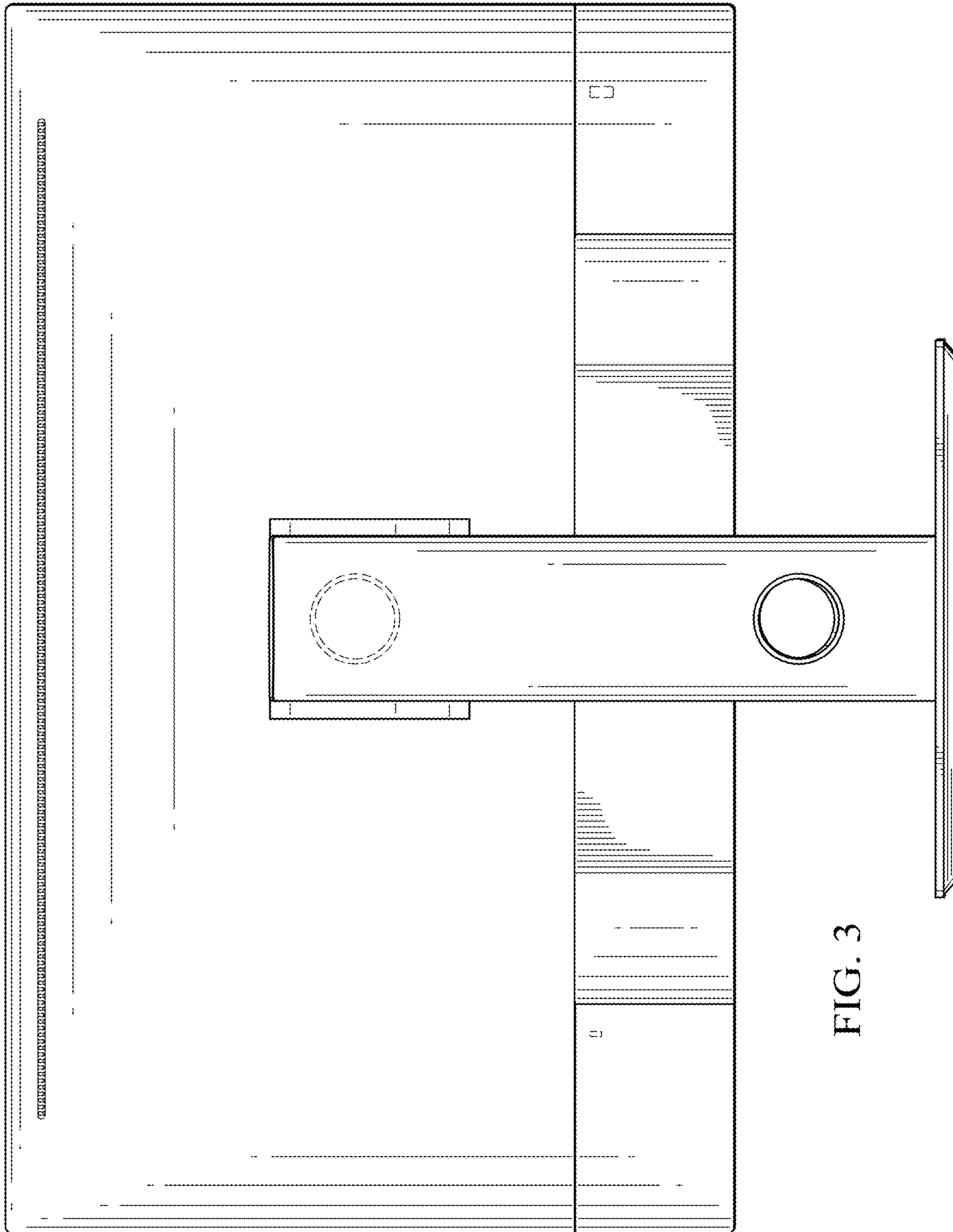


FIG. 2



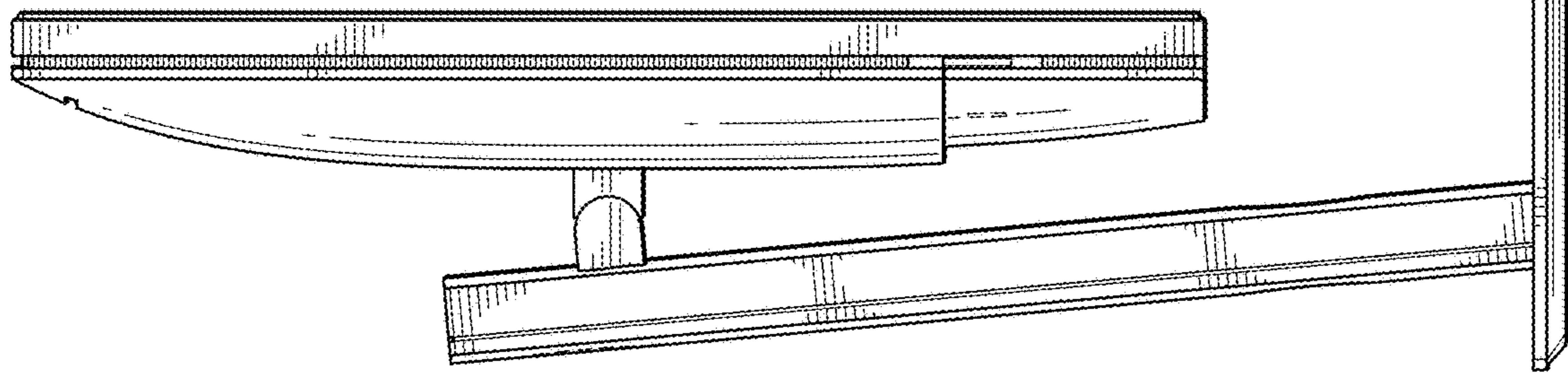


FIG. 5

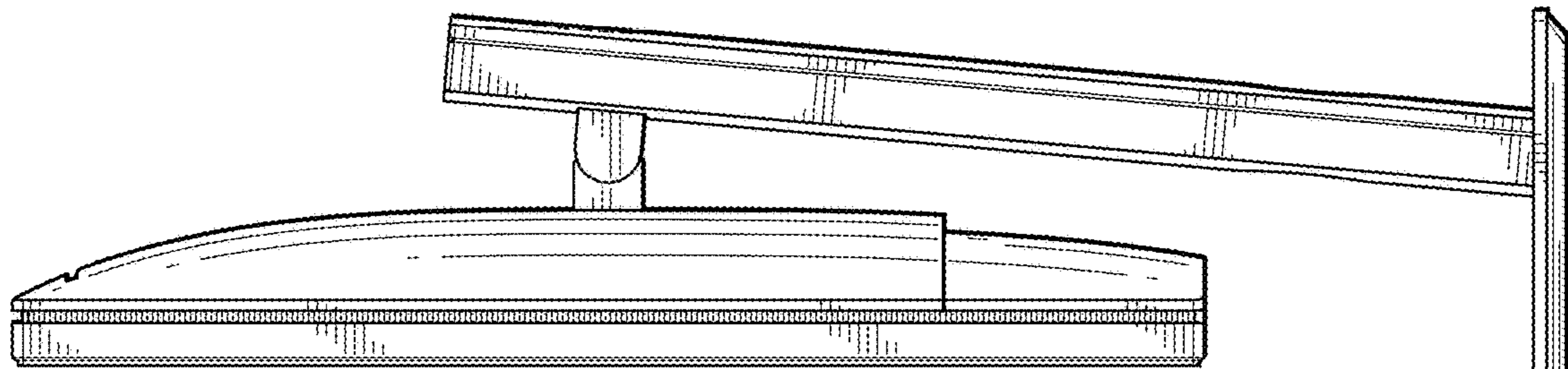


FIG. 4

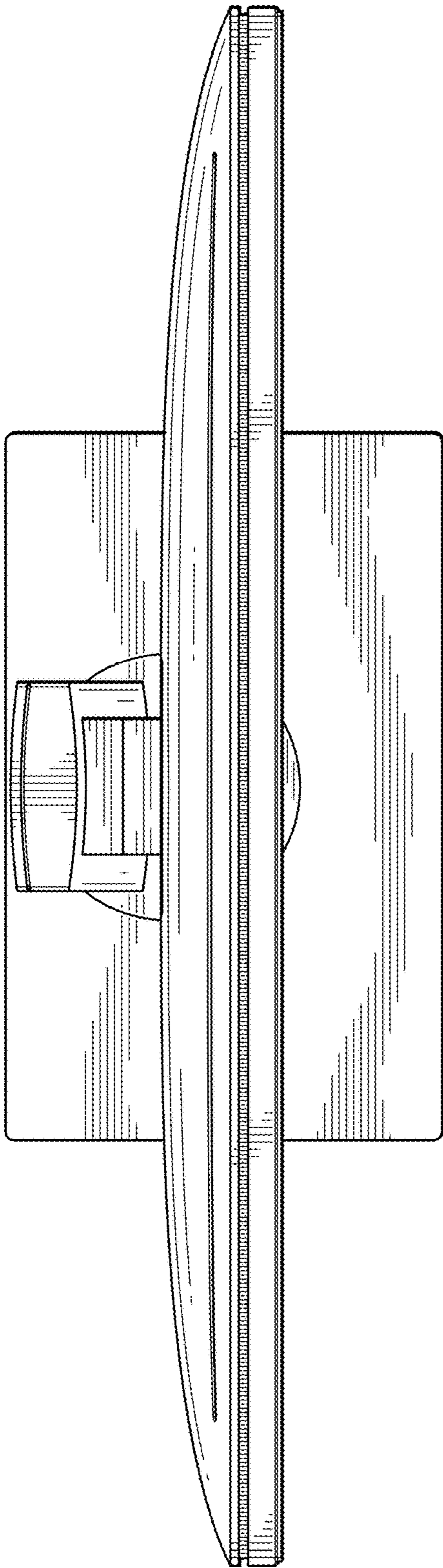


FIG. 6

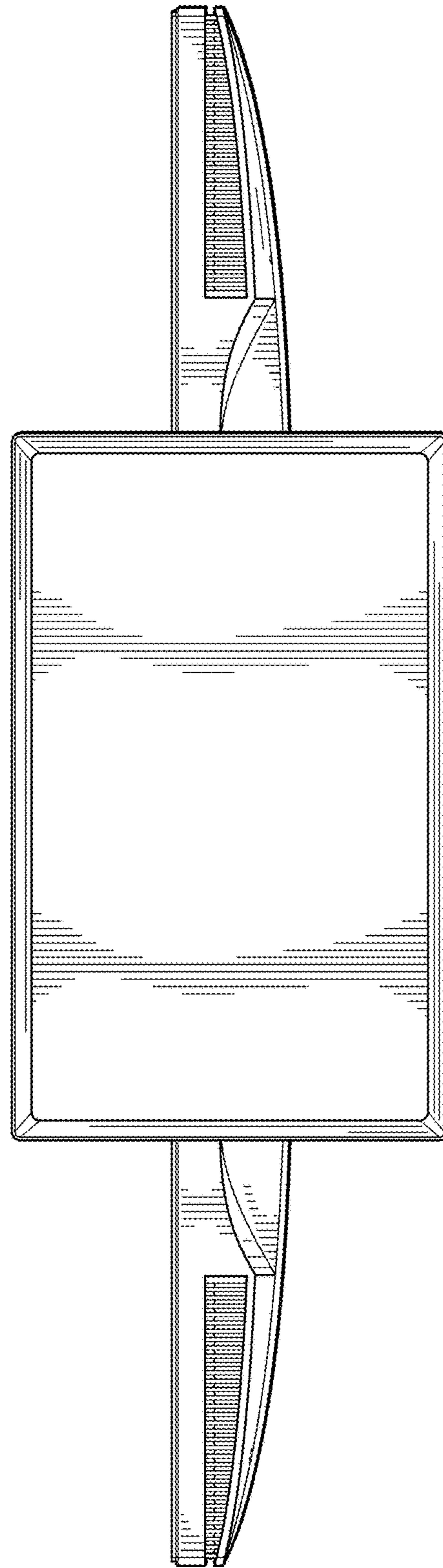


FIG. 7