



US00D812614S

(12) **United States Design Patent** (10) **Patent No.:** **US D812,614 S**
Lee et al. (45) **Date of Patent:** **** Mar. 13, 2018**

(54) **DISPLAY DEVICE**
(71) Applicant: **Dell Products L.P.**, Round Rock, TX (US)
(72) Inventors: **Yun Qin Lee**, Singapore (SG); **Justin C. Lyles**, San Diego, CA (US); **Brian Hargrove Leonard**, Austin, TX (US); **Toshiyuki Tanaka**, Mendham, NJ (US); **Wai Lim Chan**, Singapore (SG); **Jung-Hwan Hong**, Austin, TX (US); **Etienne Thetard**, Singapore (SG)

D558,201 S	12/2007	Park et al.	
D599,755 S	9/2009	Jin et al.	
D601,146 S	9/2009	Chueh et al.	
D602,453 S	10/2009	Ding et al.	
D694,206 S	11/2013	Seo et al.	
D714,289 S	9/2014	Shoda et al.	
D724,040 S	3/2015	Chan	
D726,717 S	4/2015	Lee et al.	
RE45,547 E	6/2015	Andre et al.	
D750,077 S *	2/2016	Lee	D14/375
D761,256 S *	7/2016	Lee	D14/371
D763,255 S *	8/2016	Lee	D14/371
D763,259 S *	8/2016	Lee	D14/375
D790,543 S *	6/2017	Chu	D14/374
2005/0088808 A1	4/2005	Michoux et al.	
2006/0076463 A1	4/2006	Drew	
2006/0175514 A1	8/2006	Yen	
2007/0146979 A1 *	6/2007	Chen	G06F 1/1601 361/679.21

(73) Assignee: **Dell Products L.P.**, Round Rock, TX (US)

(**) Term: **15 Years**

(21) Appl. No.: **29/539,206**

(22) Filed: **Sep. 11, 2015**

Related U.S. Application Data

(62) Division of application No. 29/528,806, filed on Jun. 1, 2015, now Pat. No. Des. 750,627.

(51) **LOC (11) Cl.** **14-02**

(52) **U.S. Cl.**
USPC **D14/375**

(58) **Field of Classification Search**
USPC D14/126, 371, 374, 375
CPC B60R 11/0235; B60R 11/02; B60R 2011/0017; G06F 1/1601; G06F 2200/1612
See application file for complete search history.

(56) **References Cited**

U.S. PATENT DOCUMENTS

D550,668 S *	9/2007	Park	D14/375
D558,200 S	12/2007	Tsai		

(Continued)

Primary Examiner — Susan Bennett Hattan

Assistant Examiner — Brett Miller

(74) *Attorney, Agent, or Firm* — Terrile, Cannatti, Chambers & Holland, LLP; Stephen A. Terrile

(57) **CLAIM**

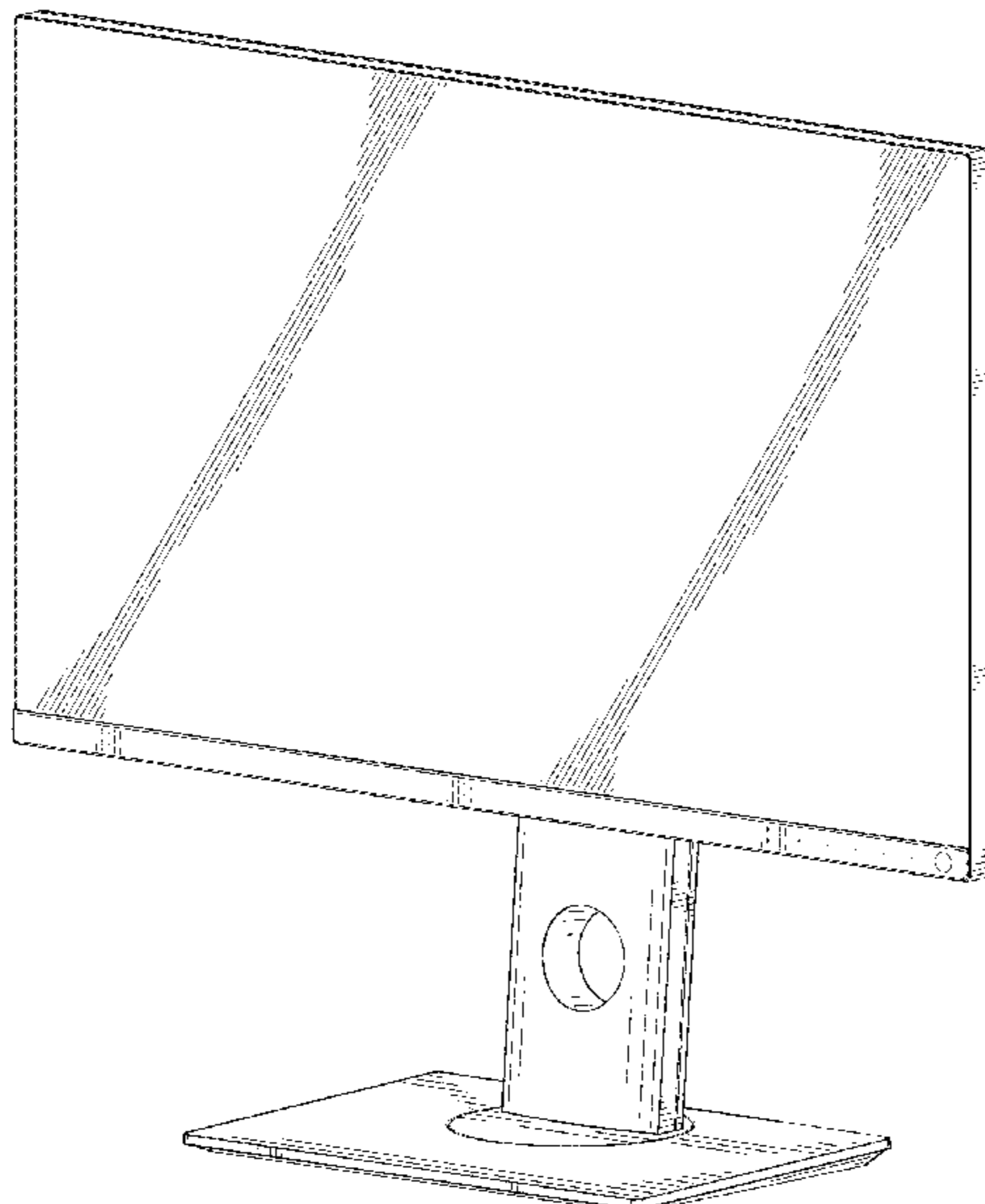
We claim the ornamental design for a display device, as shown and described.

DESCRIPTION

FIG. 1 is a front perspective view of the display device comprising the present invention;
FIG. 2 is a front view thereof;
FIG. 3 is a rear view thereof;
FIG. 4 is a left side view thereof;
FIG. 5 is a right side view thereof;
FIG. 6 is a top view thereof; and,
FIG. 7 is a bottom view thereof.

Broken lines shown in the drawings illustrate portions of the display device, and form no part of the claimed design.

1 Claim, 5 Drawing Sheets



(56)

References Cited

U.S. PATENT DOCUMENTS

2014/0321039 A1 * 10/2014 Quijano G06F 1/1601
361/679.22

* cited by examiner

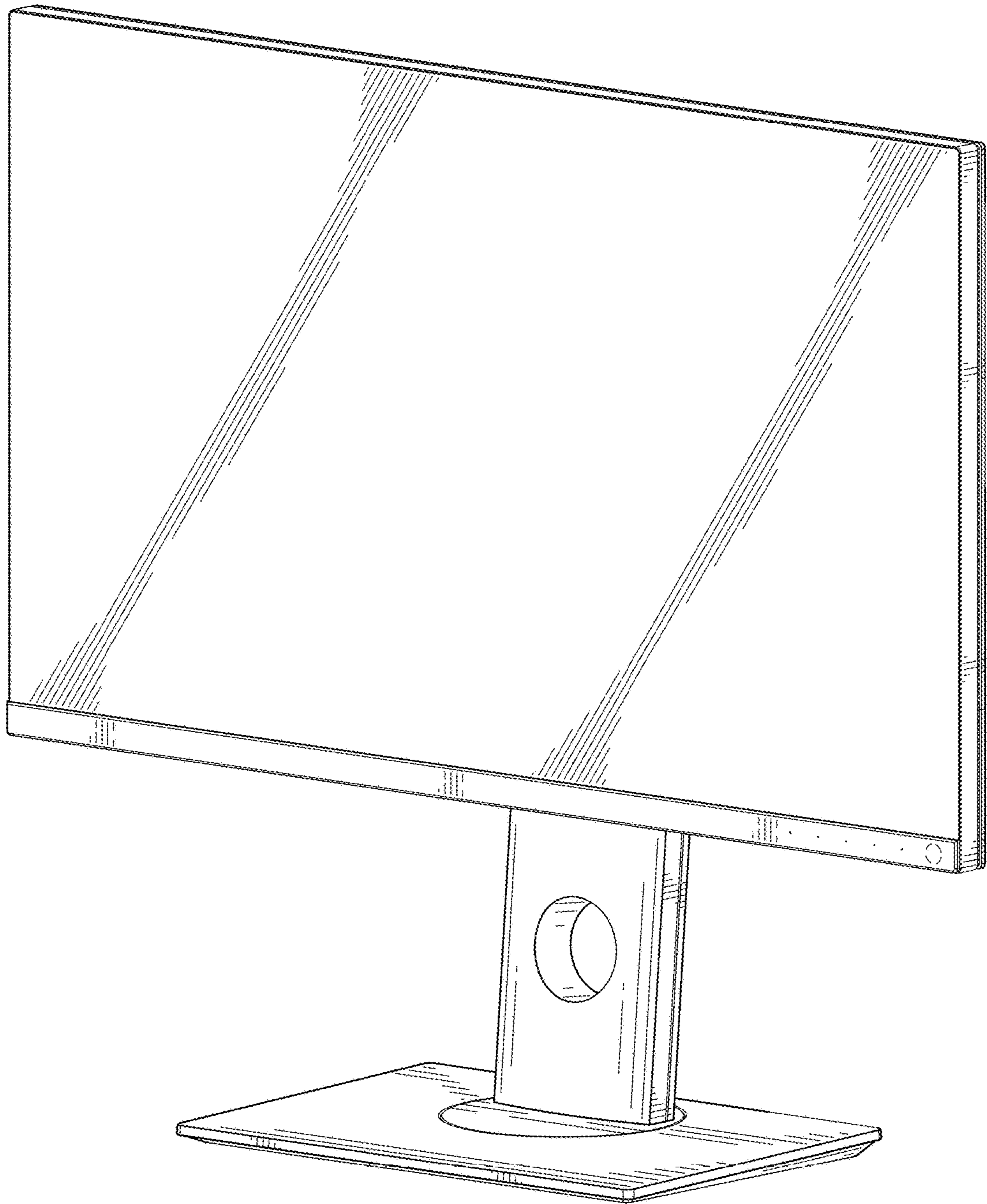


FIG. 1

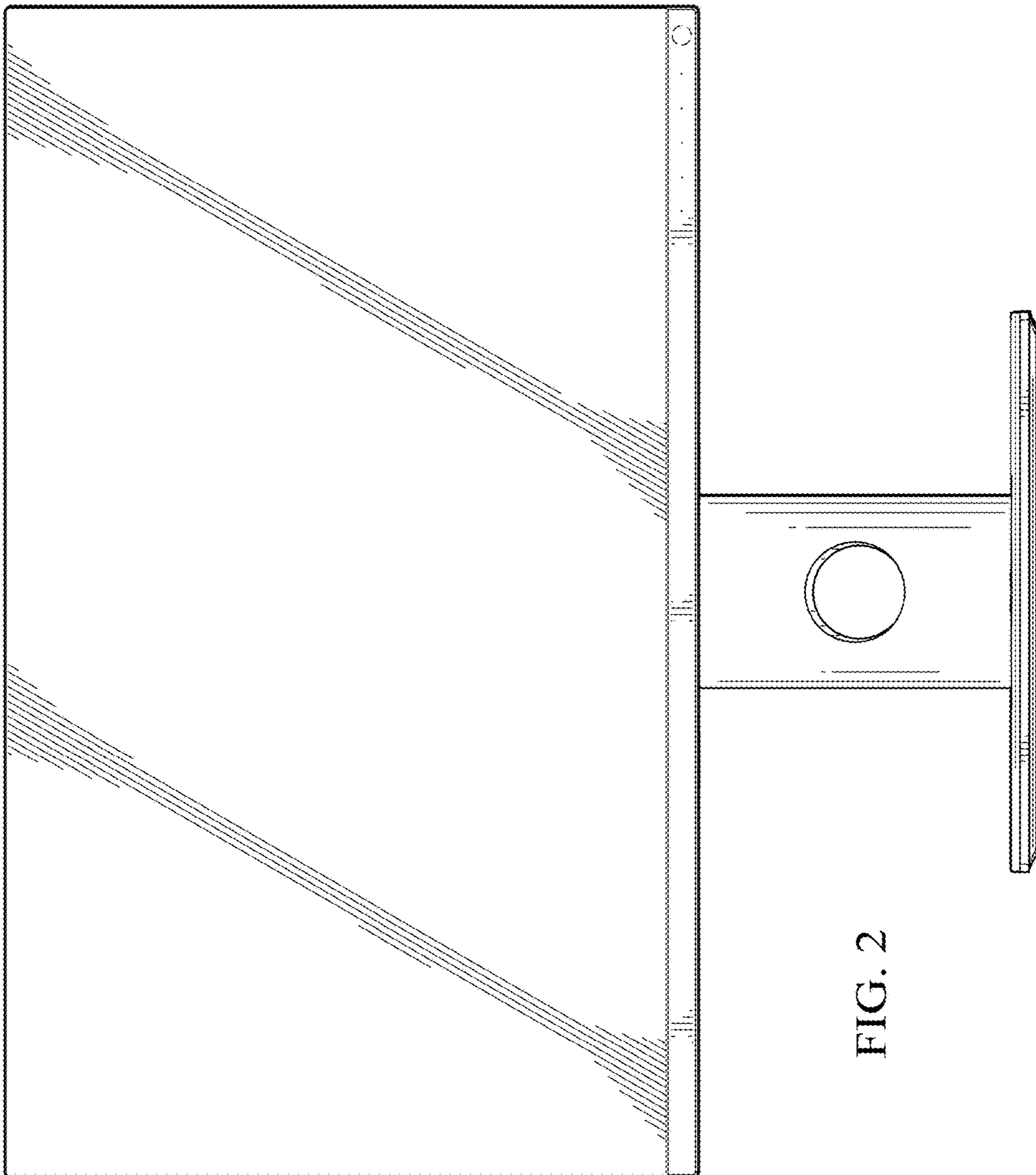


FIG. 2

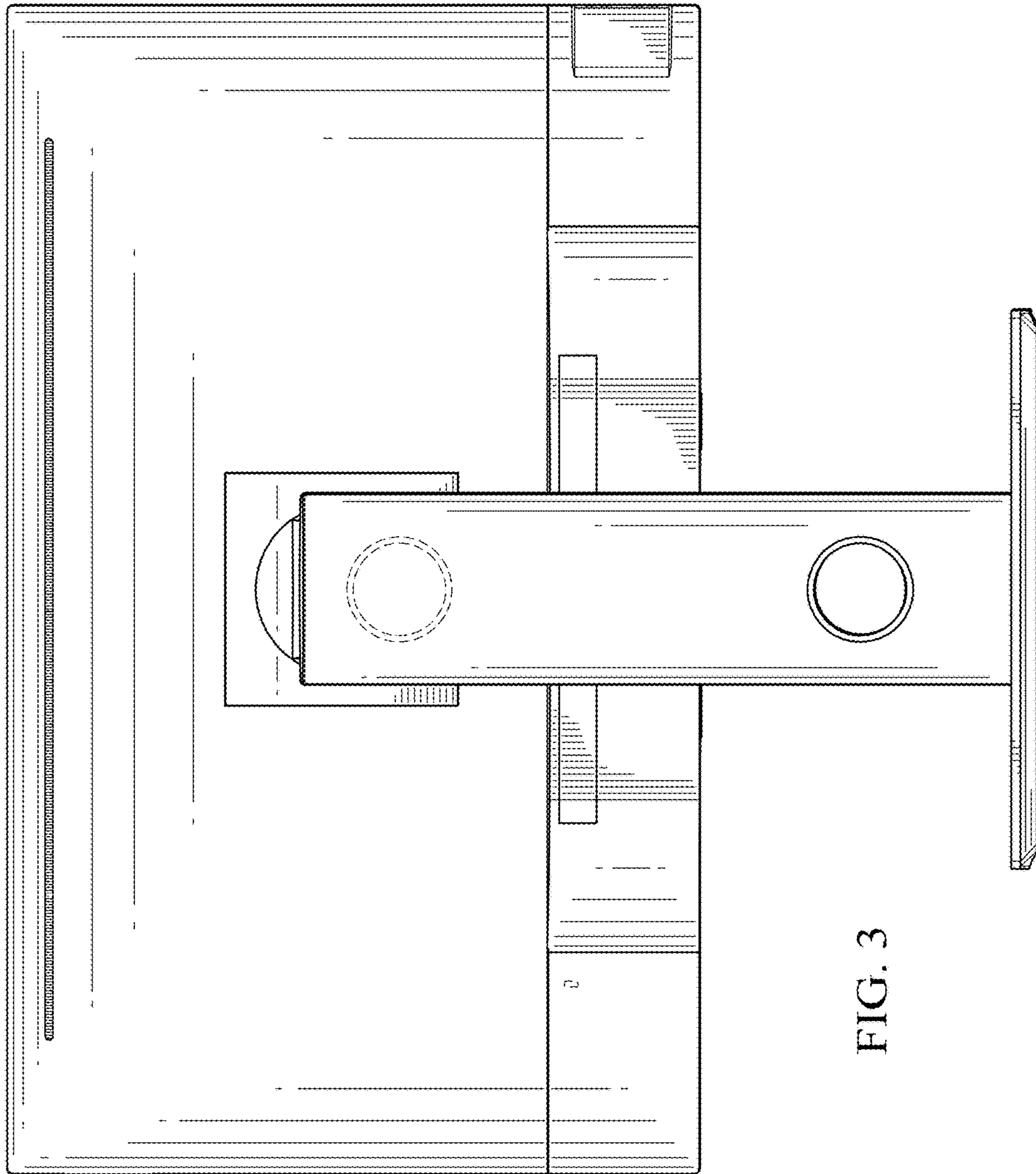


FIG. 3

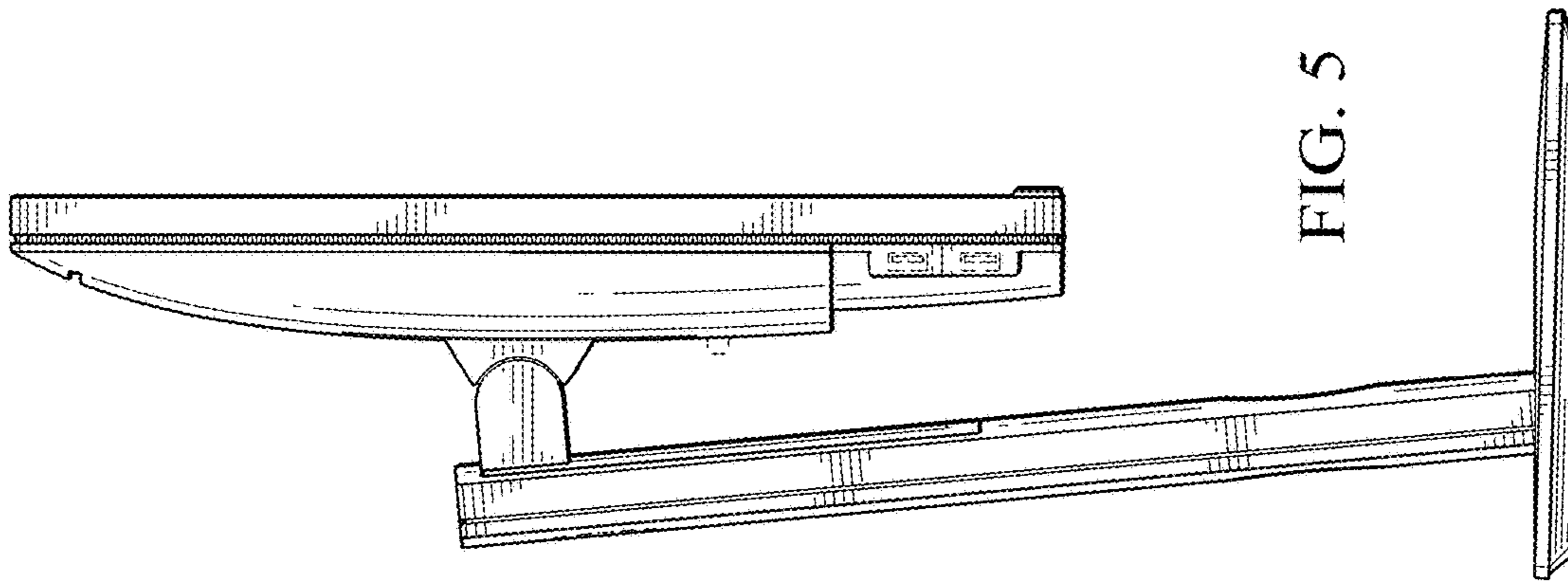


FIG. 5

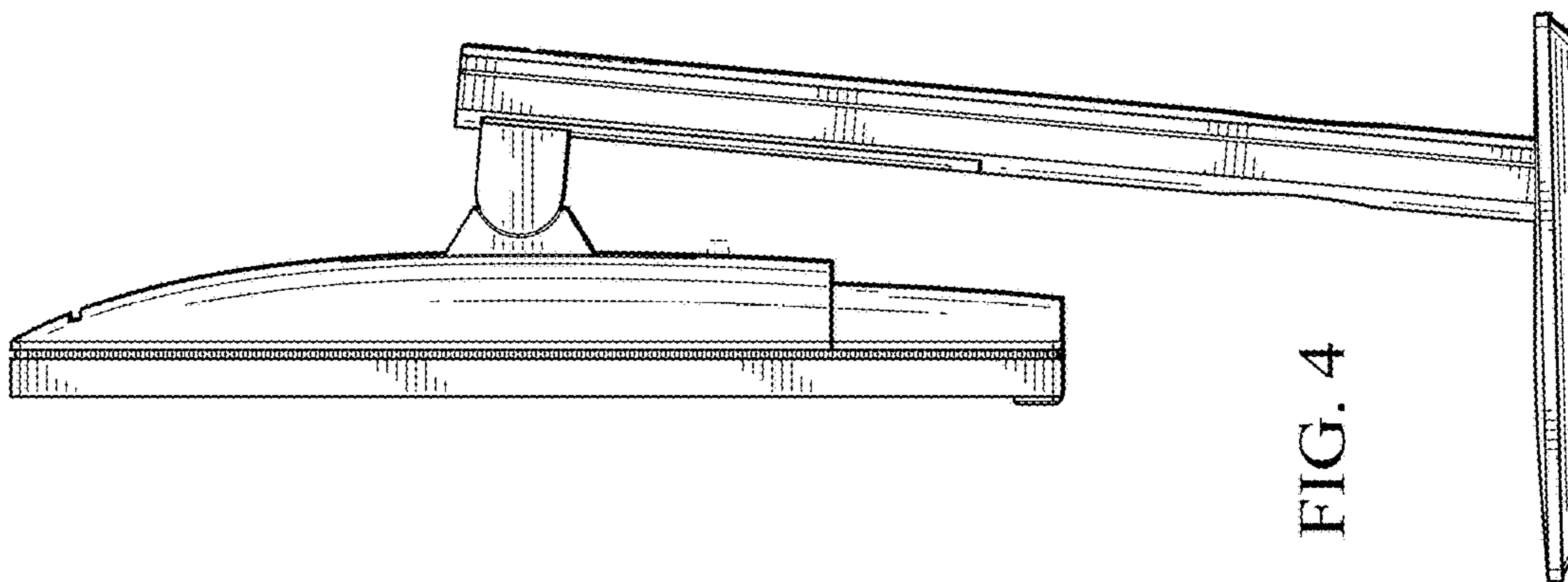


FIG. 4

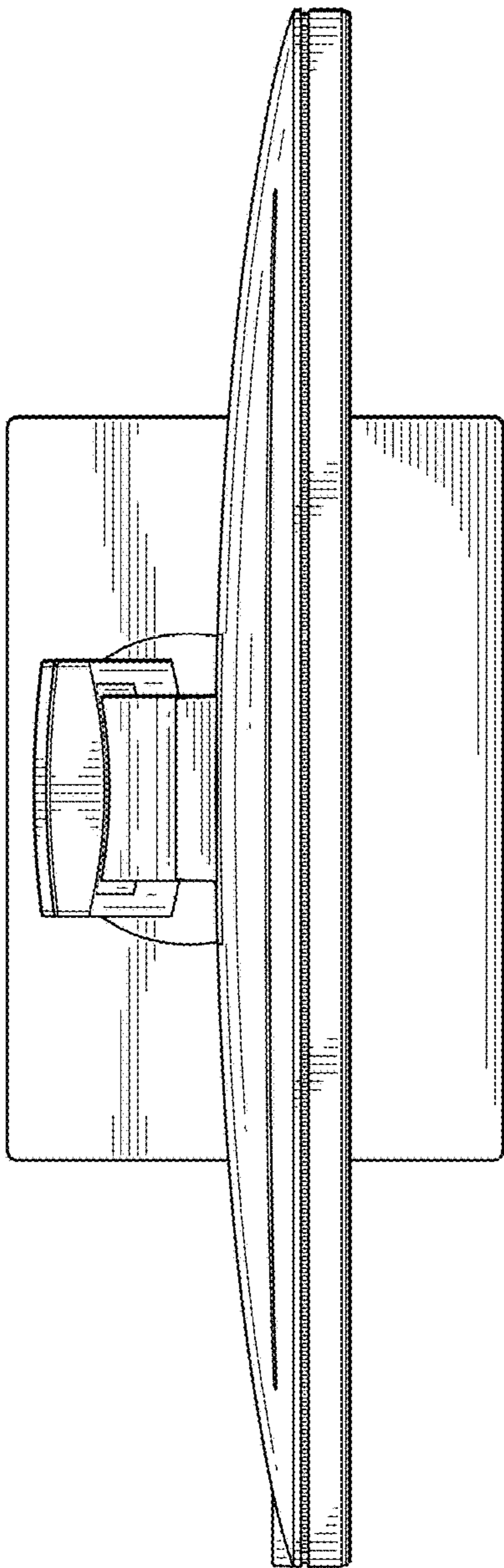


FIG. 6

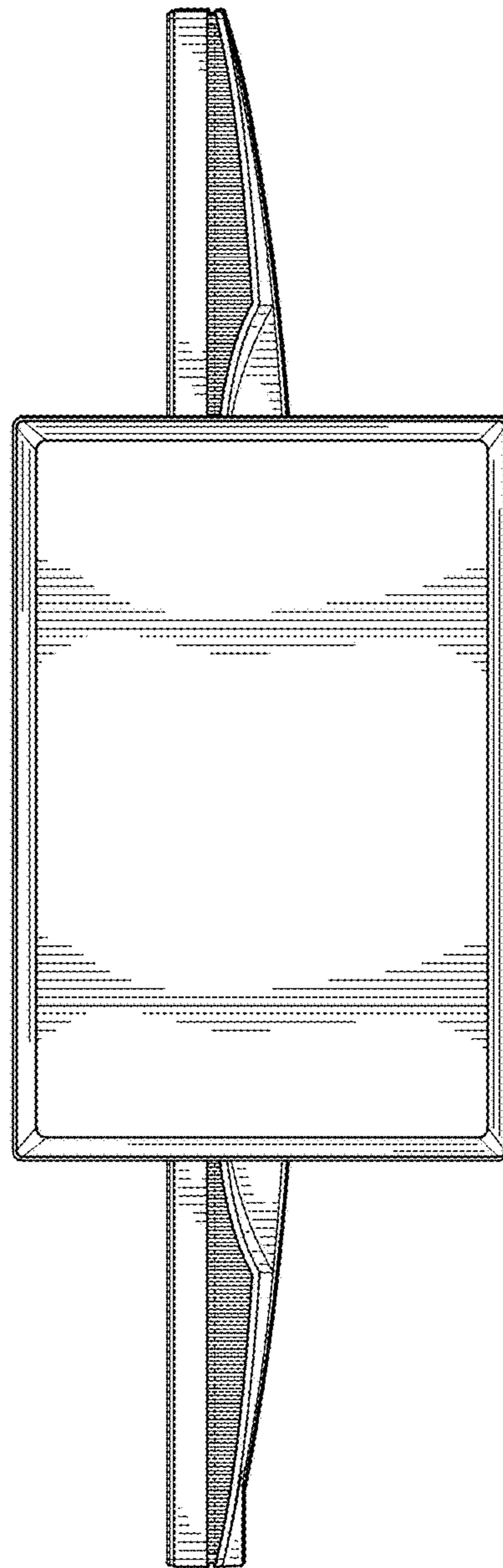


FIG. 7