



US00D812613S

(12) **United States Design Patent**  
**Cafferty et al.**

(10) **Patent No.:** **US D812,613 S**  
(45) **Date of Patent:** **\*\* Mar. 13, 2018**

(54) **DISPLAY WITH CONNECTOR AND COVER**

(71) Applicant: **GENERAL ELECTRIC COMPANY**,  
Schenectady, NY (US)

(72) Inventors: **Gerard Michael Cafferty**, Erie, PA  
(US); **Randy Michael Kawinski**,  
Cambridge Springs, PA (US)

(73) Assignee: **General Electric Company**,  
Schenectady, NY (US)

(\*\*) Term: **15 Years**

(21) Appl. No.: **29/578,986**

(22) Filed: **Sep. 27, 2016**

(51) **LOC (11) Cl.** ..... **14-02**

(52) **U.S. Cl.**  
USPC ..... **D14/372**

(58) **Field of Classification Search**  
USPC ..... D14/372, 496, 432, 371, 125, 126, 129,  
D14/299; D16/300–342; 439/137, 135,  
439/142; 345/7–9, 905; 455/344;  
348/115, 53, 121, 739  
CPC ..... H01R 13/4536; H01R 43/20; H01R  
13/5213; Y10T 29/49204  
See application file for complete search history.

(56) **References Cited**

**U.S. PATENT DOCUMENTS**

- 5,738,536 A \* 4/1998 Ohgami ..... G06F 1/1616  
361/679.4
- 6,108,482 A \* 8/2000 Roth ..... G02B 6/3825  
385/139
- 6,183,274 B1 \* 2/2001 Allum ..... H01R 13/447  
439/135
- 6,828,756 B2 \* 12/2004 Kinoshita ..... H02J 7/0044  
320/114
- 7,651,346 B2 \* 1/2010 Francis ..... H01R 13/447  
174/67

- 7,820,105 B2 \* 10/2010 Arbogast ..... G01N 33/4875  
422/400
- 8,197,269 B2 \* 6/2012 Cheng ..... H01R 13/447  
439/135
- 8,954,123 B2 \* 2/2015 Suzuki ..... G06F 1/1626  
379/428.01
- 8,968,014 B2 \* 3/2015 Russell ..... H01R 13/4536  
439/137
- 9,196,994 B2 \* 11/2015 Tseng ..... H01R 13/447
- 9,570,823 B2 \* 2/2017 Lai ..... H01R 12/716

(Continued)

*Primary Examiner* — Austin Murphy

(74) *Attorney, Agent, or Firm* — GE Global Patent  
Operation; John A. Kramer

(57) **CLAIM**

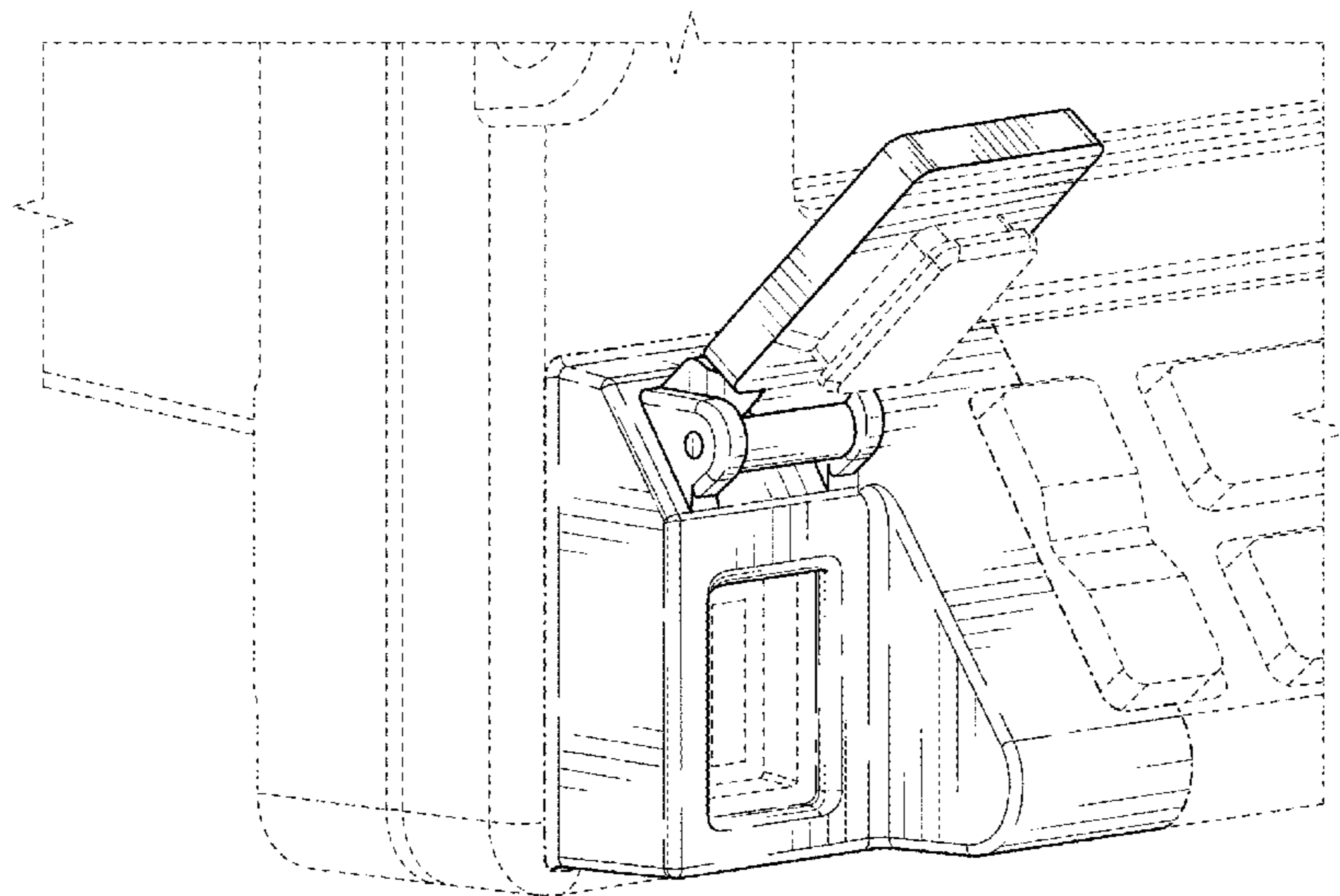
The ornamental design for a display with connector and  
cover, as shown and described.

**DESCRIPTION**

FIG. 1 is a perspective view of a display with connector and  
cover depicting a first embodiment of a new design;  
FIG. 2 is a front view thereof;  
FIG. 3 is a first side view thereof;  
FIG. 4 is a second side view thereof;  
FIG. 5 is a top view thereof;  
FIG. 6 is a bottom view thereof;  
FIG. 7 is a perspective view of a second embodiment of a  
new design;  
FIG. 8 is a front view thereof;  
FIG. 9 is a first side view thereof;  
FIG. 10 is a second side view thereof;  
FIG. 11 is a top view thereof; and,  
FIG. 12 is a bottom view thereof.

The dashed line portion of the figure drawings is included to  
show unclaimed subject matter only and forms no part of the  
claimed designs. The dot-dash lines illustrate a boundary of  
the claimed designs, and form no part thereof.

**1 Claim, 12 Drawing Sheets**



(56)

**References Cited**

U.S. PATENT DOCUMENTS

2003/0148645 A1\* 8/2003 Hashimoto ..... H01R 13/4532  
439/137  
2005/0277334 A1\* 12/2005 Huang ..... H01R 23/6873  
439/607.01

\* cited by examiner

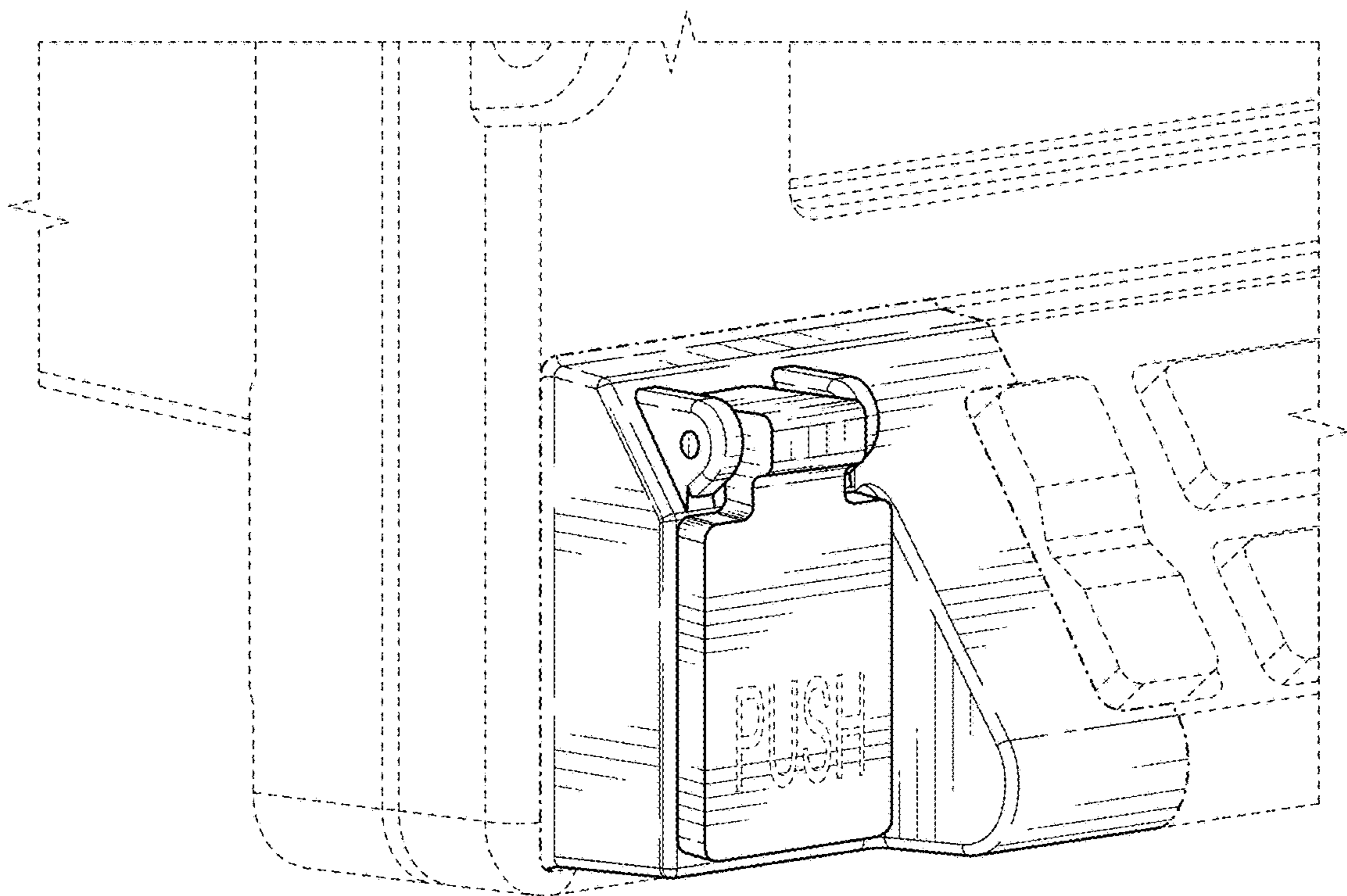


FIG. 1

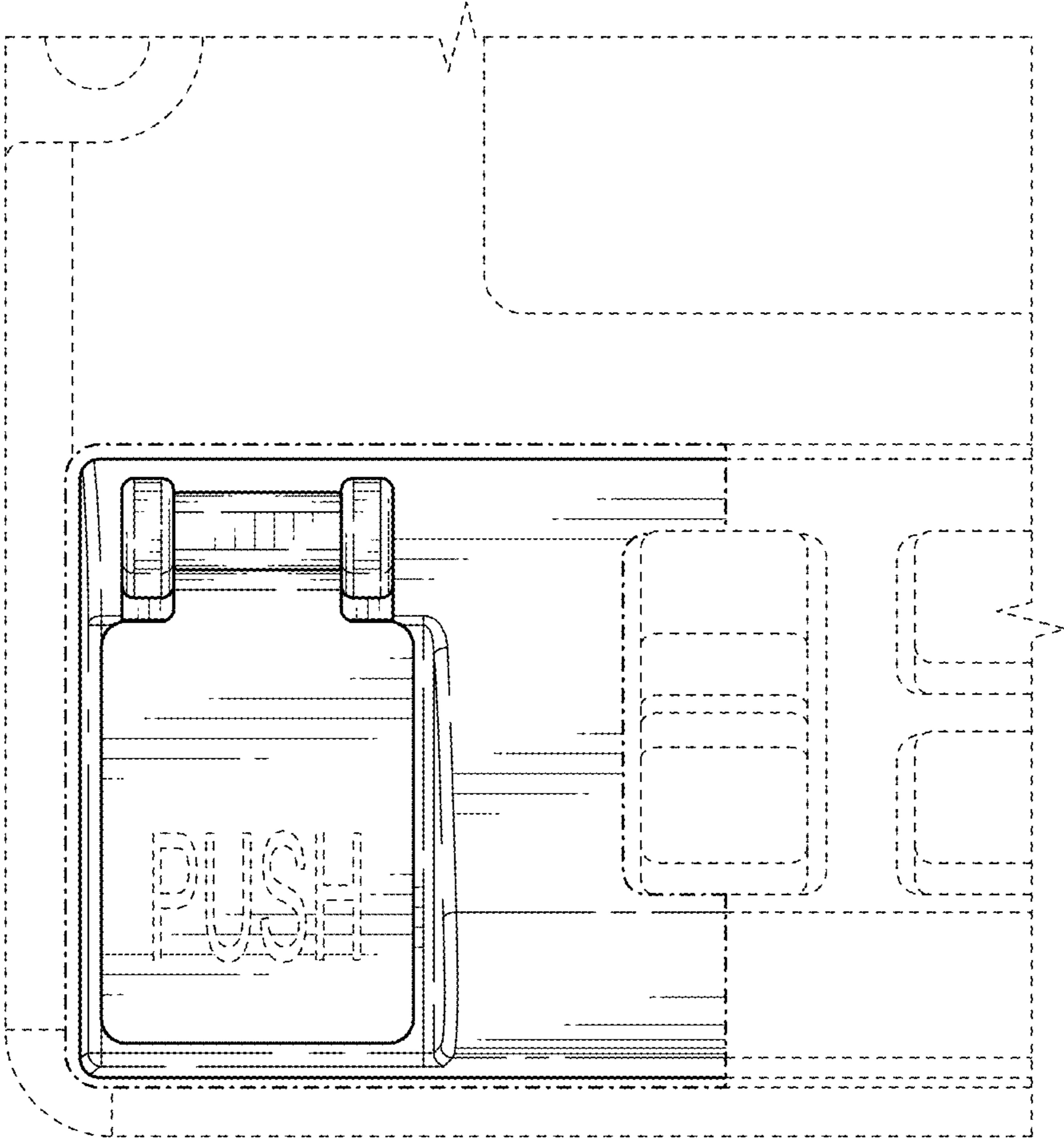


FIG. 2

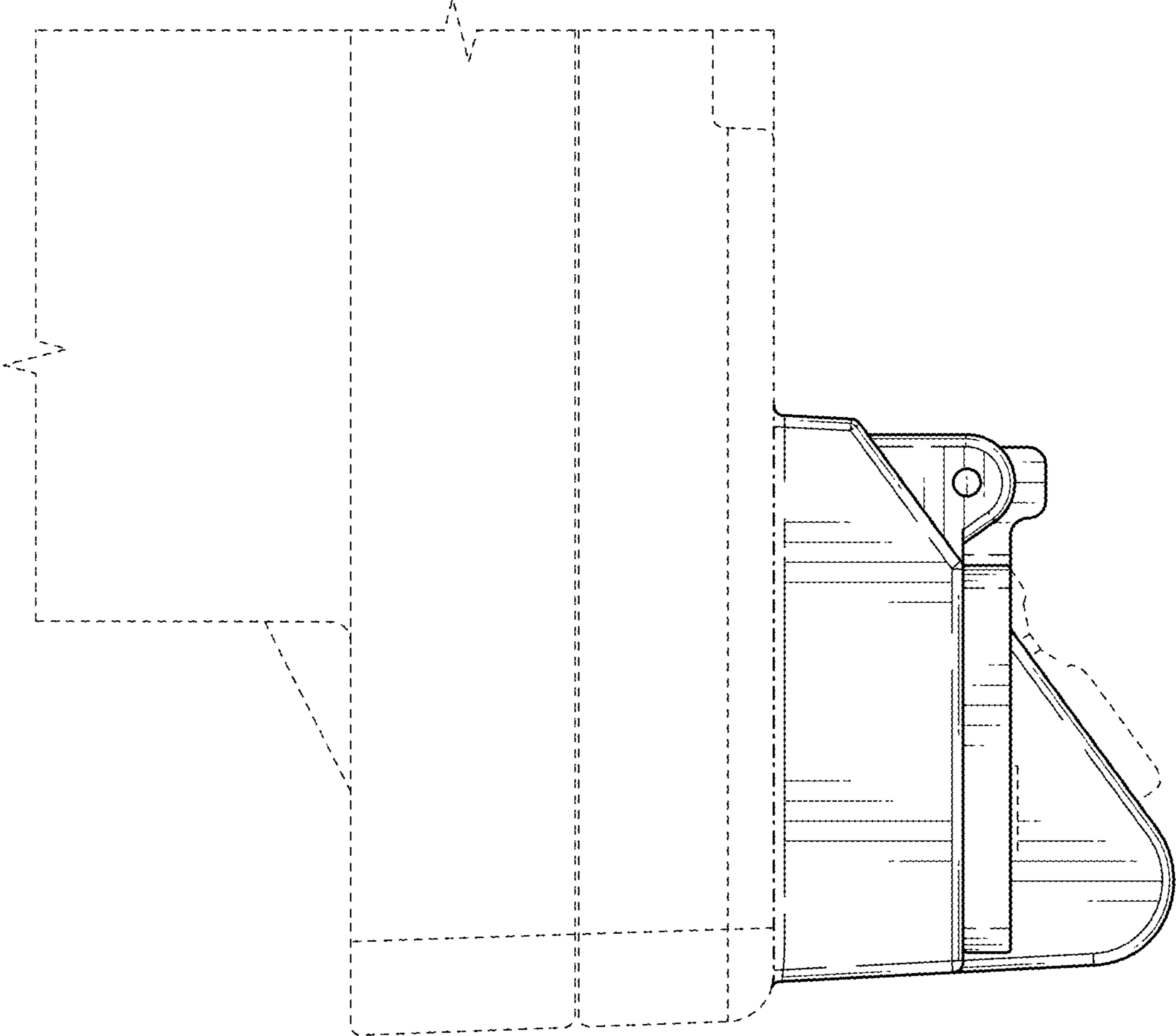


FIG. 3

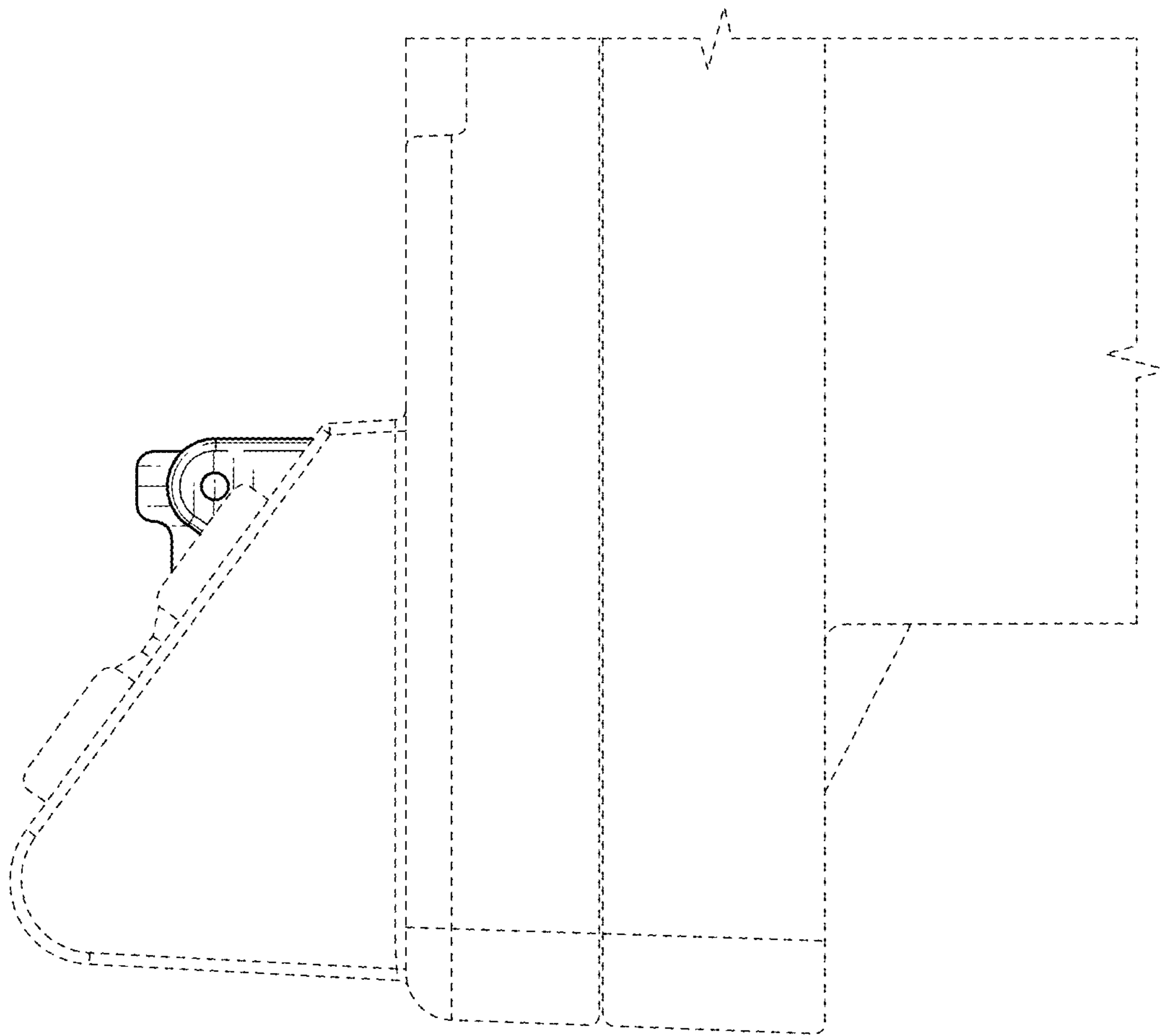


FIG. 4

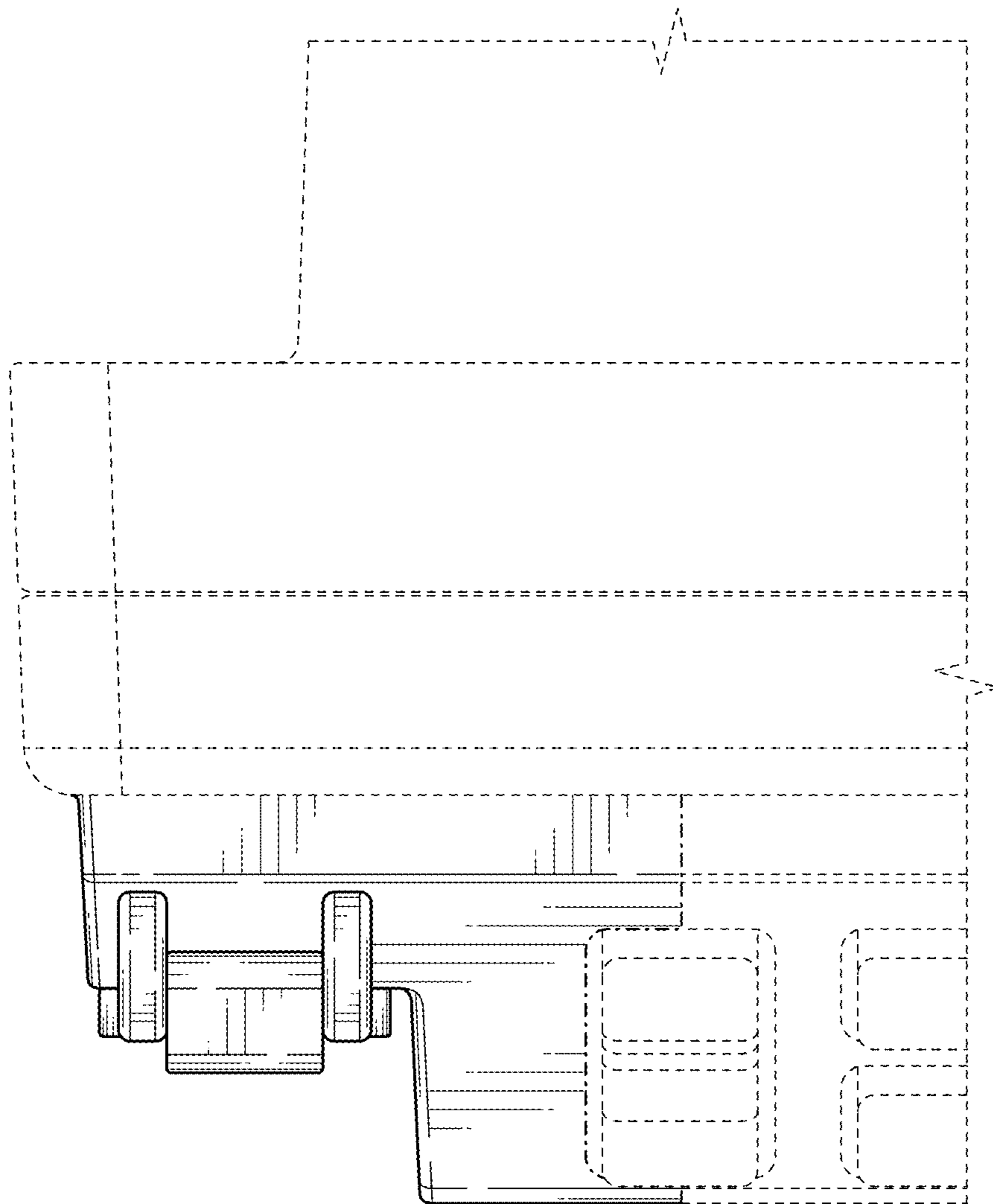


FIG. 5

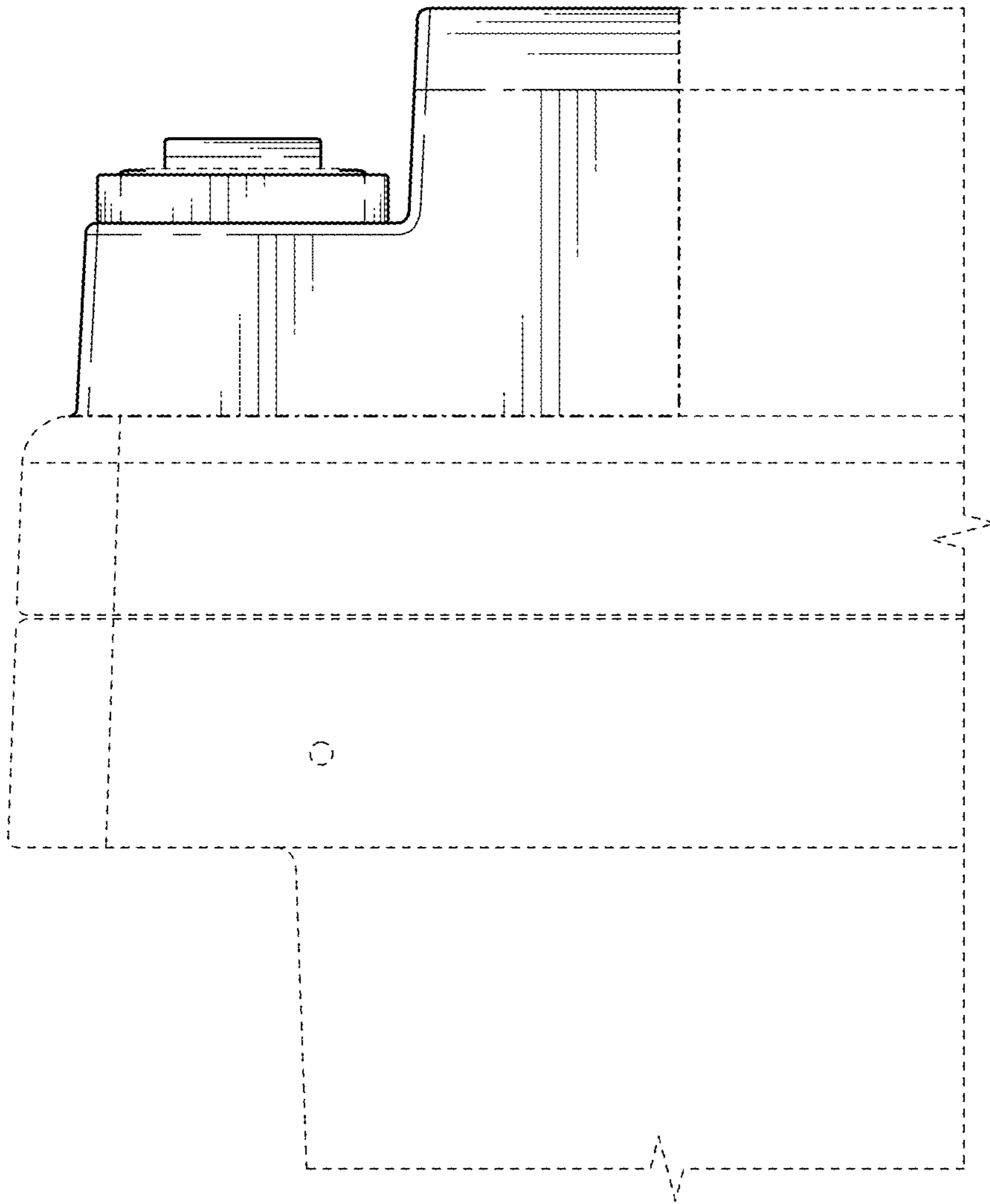


FIG. 6



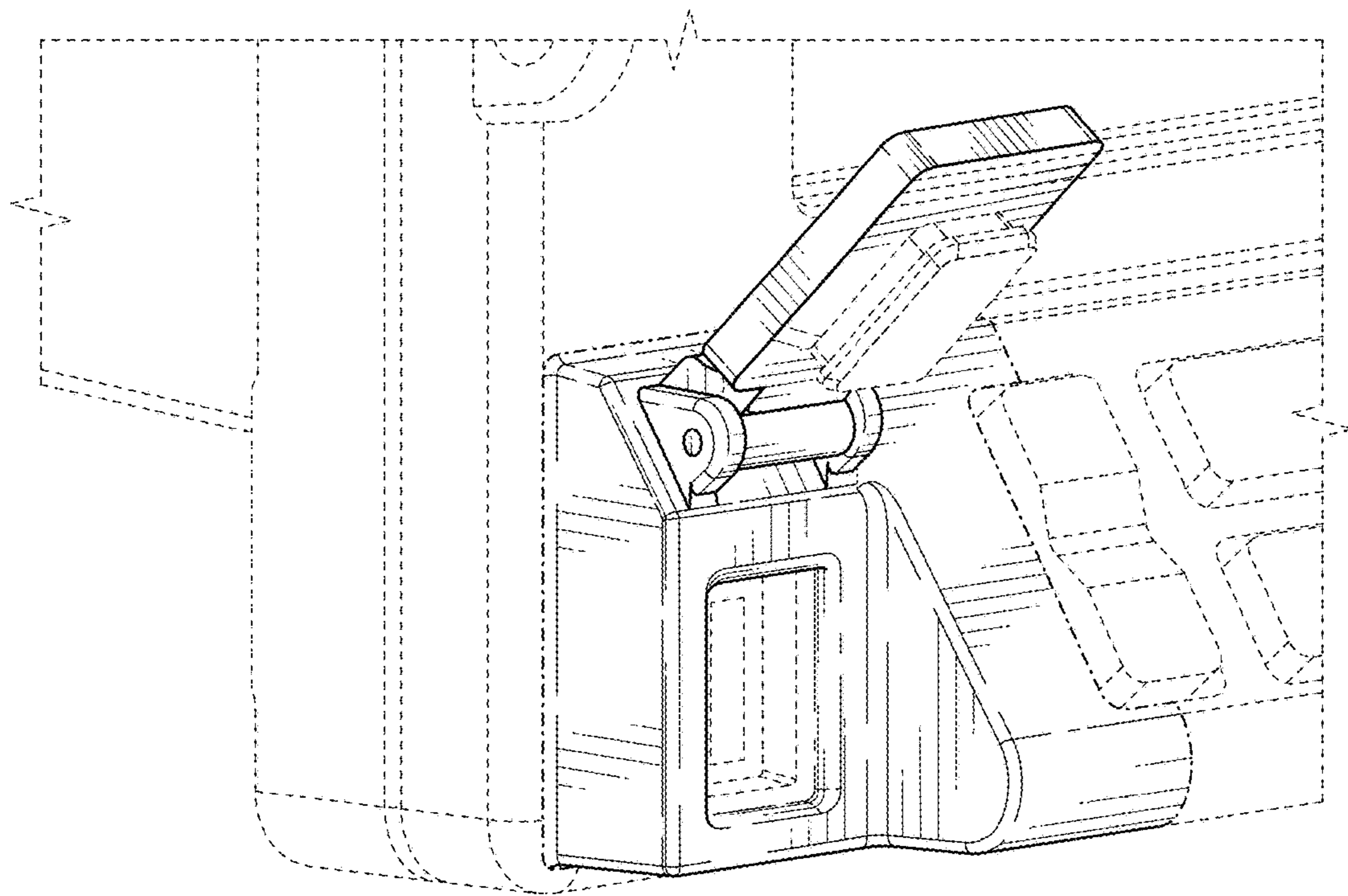


FIG. 7

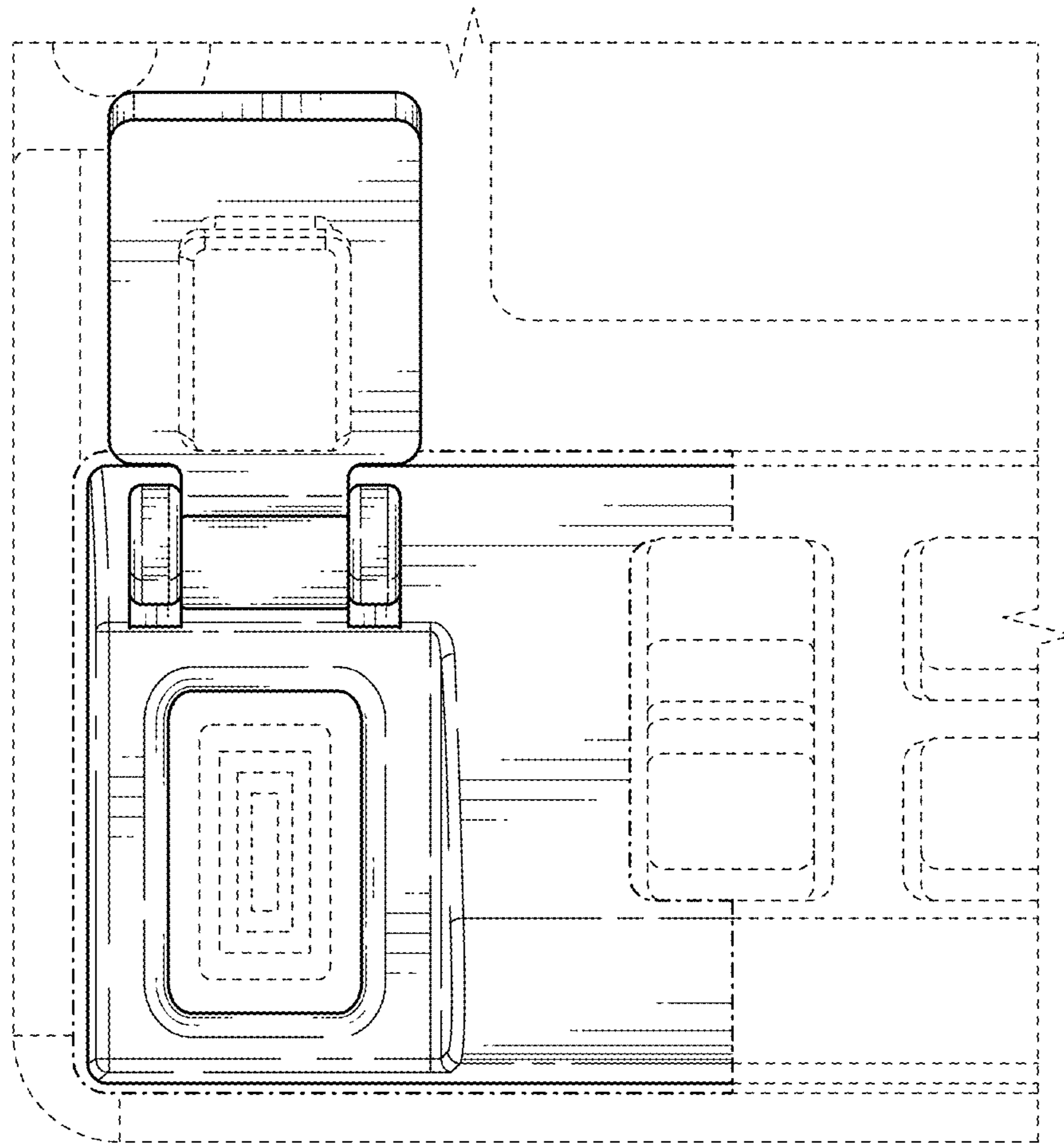


FIG. 8

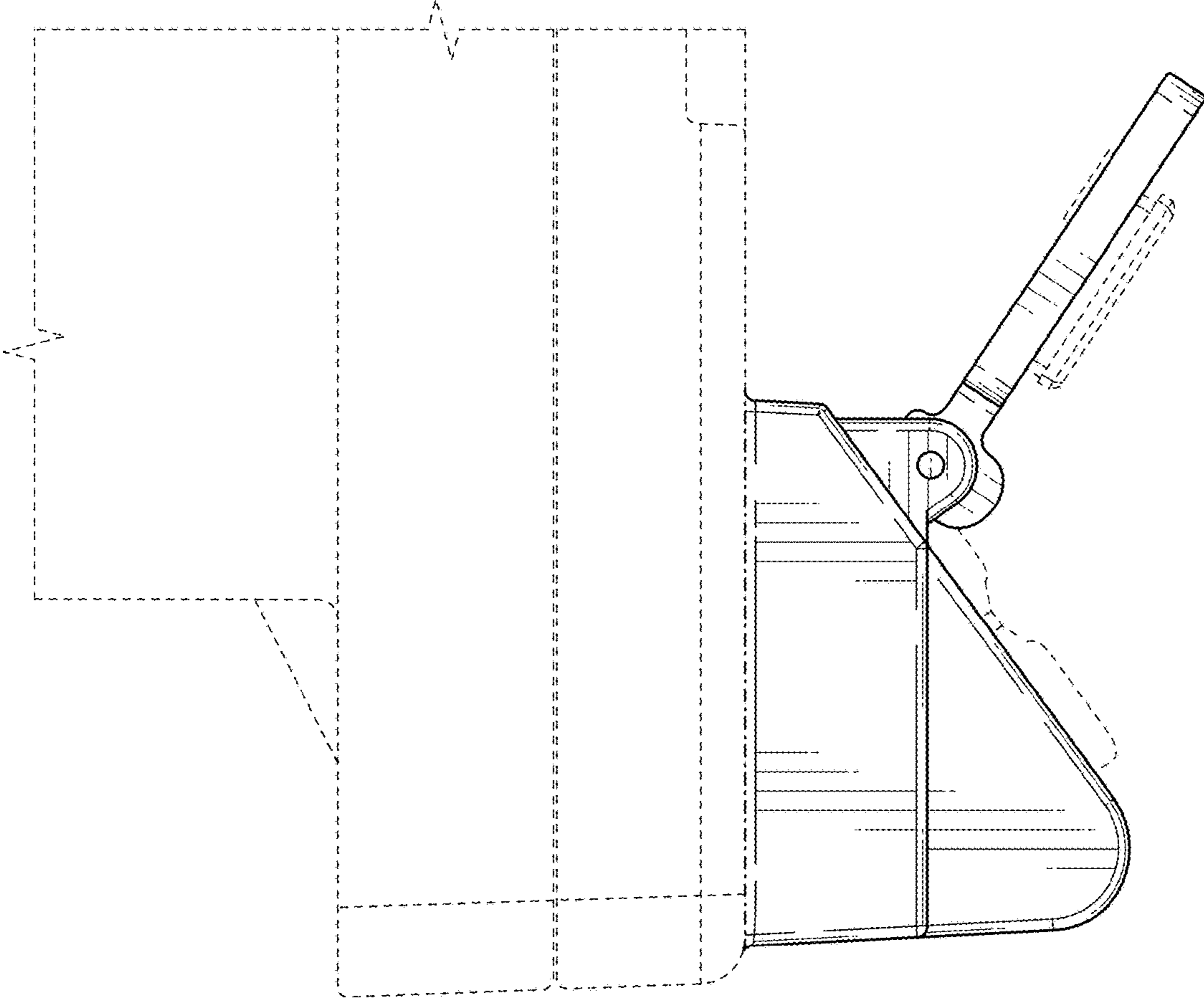


FIG. 9

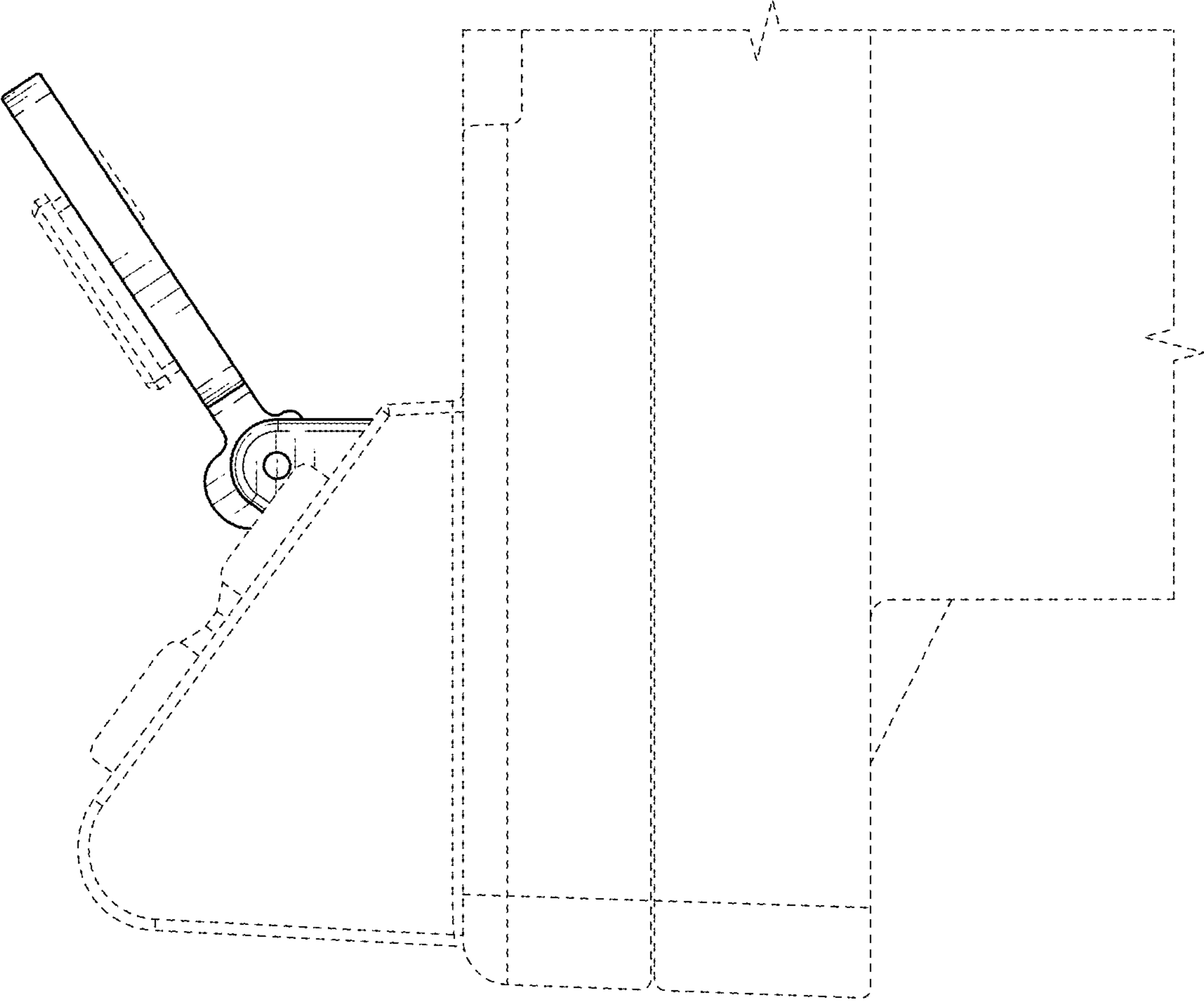


FIG. 10

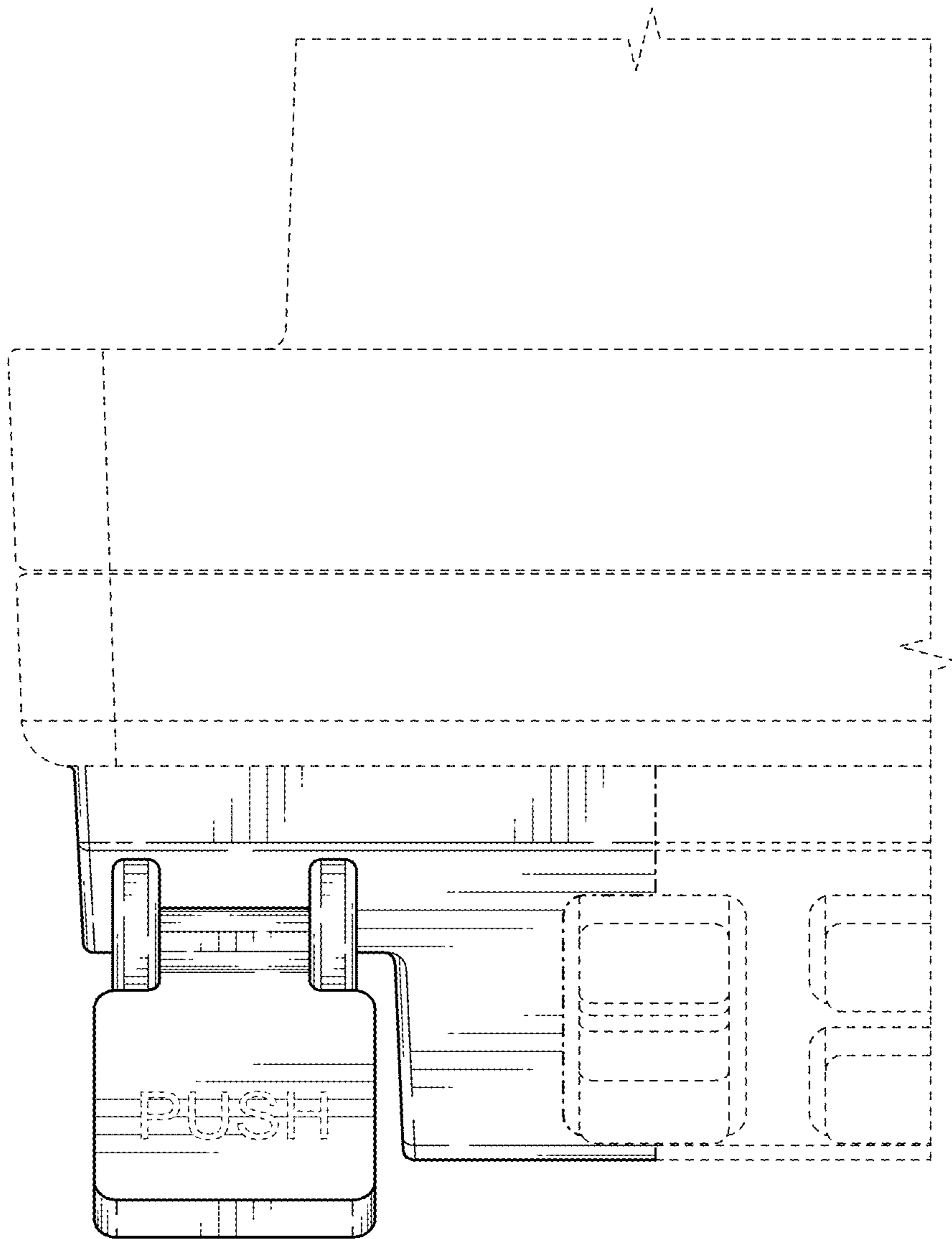


FIG. 11

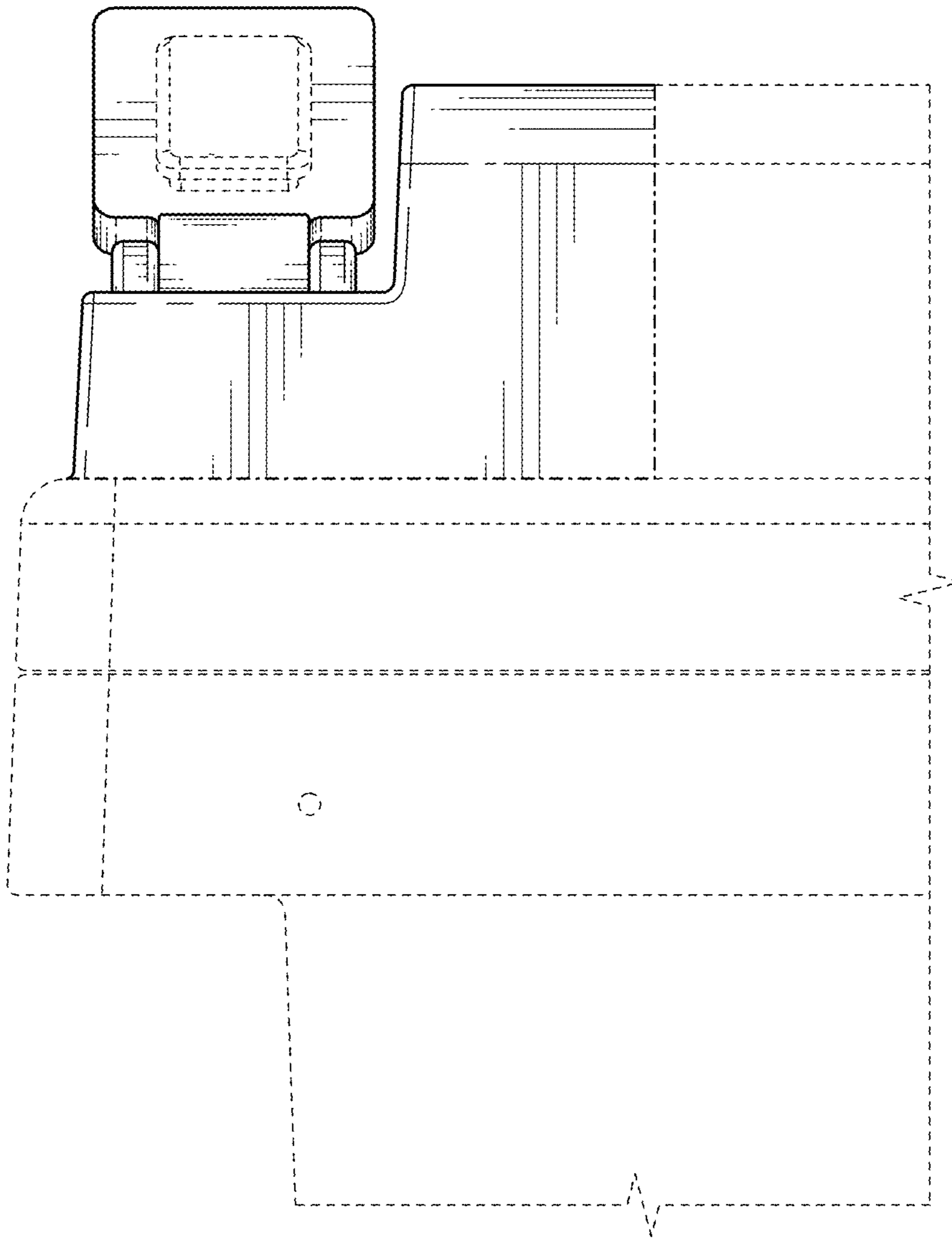


FIG. 12