



US00D812612S

(12) **United States Design Patent**
Gribetz et al.

(10) **Patent No.:** **US D812,612 S**
(45) **Date of Patent:** **** Mar. 13, 2018**

(54) **OPTICAL HEAD MOUNTED DISPLAY WITH TRANSPARENT VISOR**

(71) Applicant: **Meta Company**, Redwood City, CA (US)

(72) Inventors: **Meron Gribetz**, Belmont, CA (US); **Ashish Ahuja**, Mountain View, CA (US); **Zhangyi Zhong**, San Francisco, CA (US); **Martin Hasek**, Portola Valley, CA (US); **Eric Bokides**, Portola Valley, CA (US); **Raymond Chun Hing Lo**, Richmond Hill (CA)

(73) Assignee: **Meta Company**, Redwood City, CA (US)

(**) Term: **15 Years**

(21) Appl. No.: **29/546,094**

(22) Filed: **Nov. 18, 2015**

(51) **LOC (11) Cl.** **14-02**

(52) **U.S. Cl.**
USPC **D14/372**

(58) **Field of Classification Search**
USPC D14/372, 496, 432, 371, 125, 126, 129, D14/299; D16/300-342; 351/158, 153, 351/144; 345/7-9, 905; 455/344; 348/115, 53, 121, 739
CPC G02B 27/017; G02B 27/0158; G02B 27/0161; G02B 27/0181; G02B 27/0185; G02B 27/0189
See application file for complete search history.

(56) **References Cited**

U.S. PATENT DOCUMENTS

D669,471 S * 10/2012 Hwang D14/372
D732,028 S * 6/2015 Kim D14/372

D741,324 S * 10/2015 Bosveld D14/372
D741,327 S * 10/2015 Reznik D14/372
D748,628 S * 2/2016 Bosveld D14/372
D749,580 S * 2/2016 Kim D14/372
D753,111 S * 4/2016 Fei D14/372
D773,461 S * 12/2016 Jiang D14/372
D776,110 S * 1/2017 Gribetz D14/372
D776,111 S * 1/2017 Baldassi D14/372
D780,751 S * 3/2017 Park D14/372
D781,288 S * 3/2017 Park D14/372
D785,619 S * 5/2017 Su D14/372
D791,129 S * 7/2017 Sullivan D14/372
D792,399 S * 7/2017 Thomas D14/372
D792,401 S * 7/2017 Tang D14/372

* cited by examiner

Primary Examiner — Austin Murphy

(74) *Attorney, Agent, or Firm* — Andrew F. Bodendorf

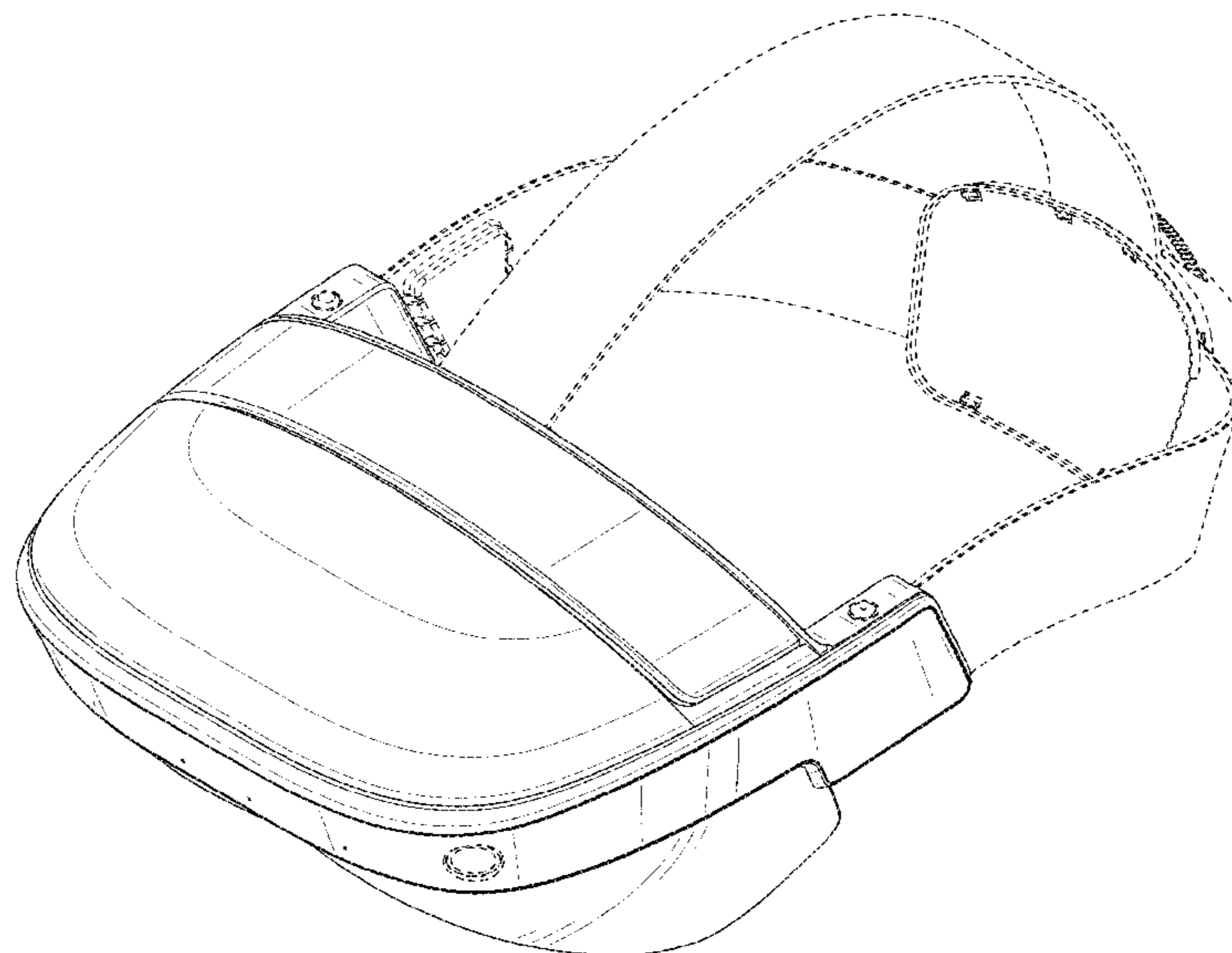
(57) **CLAIM**

We claim the ornamental design for optical head mounted display with transparent visor, as shown and described.

DESCRIPTION

FIG. 1 is a perspective view of an optical head mounted display with transparent visor showing our new design; FIG. 2 is a front elevation view thereof; FIG. 3 is a rear elevation view thereof; FIG. 4 is a right elevation view thereof; FIG. 5 is a left elevation view thereof; FIG. 6 is a top plan view thereof; FIG. 7 is a bottom plan view thereof; and, FIG. 8 is another perspective view thereof. Any broken lines and unshaded portions contained within broken lines are directed to environment or unclaimed features. The broken lines form no part of the claimed design.

1 Claim, 8 Drawing Sheets



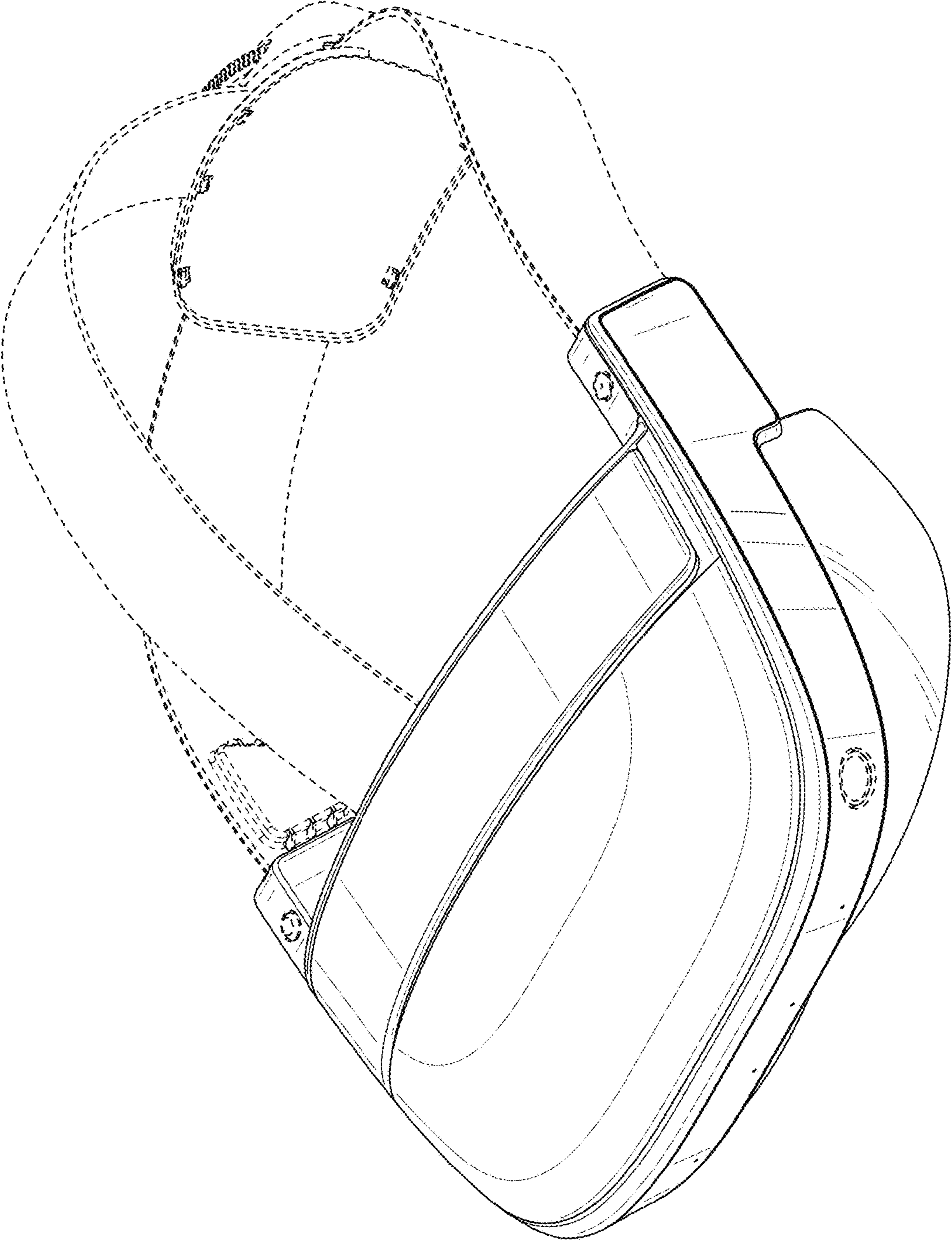


FIG. 1

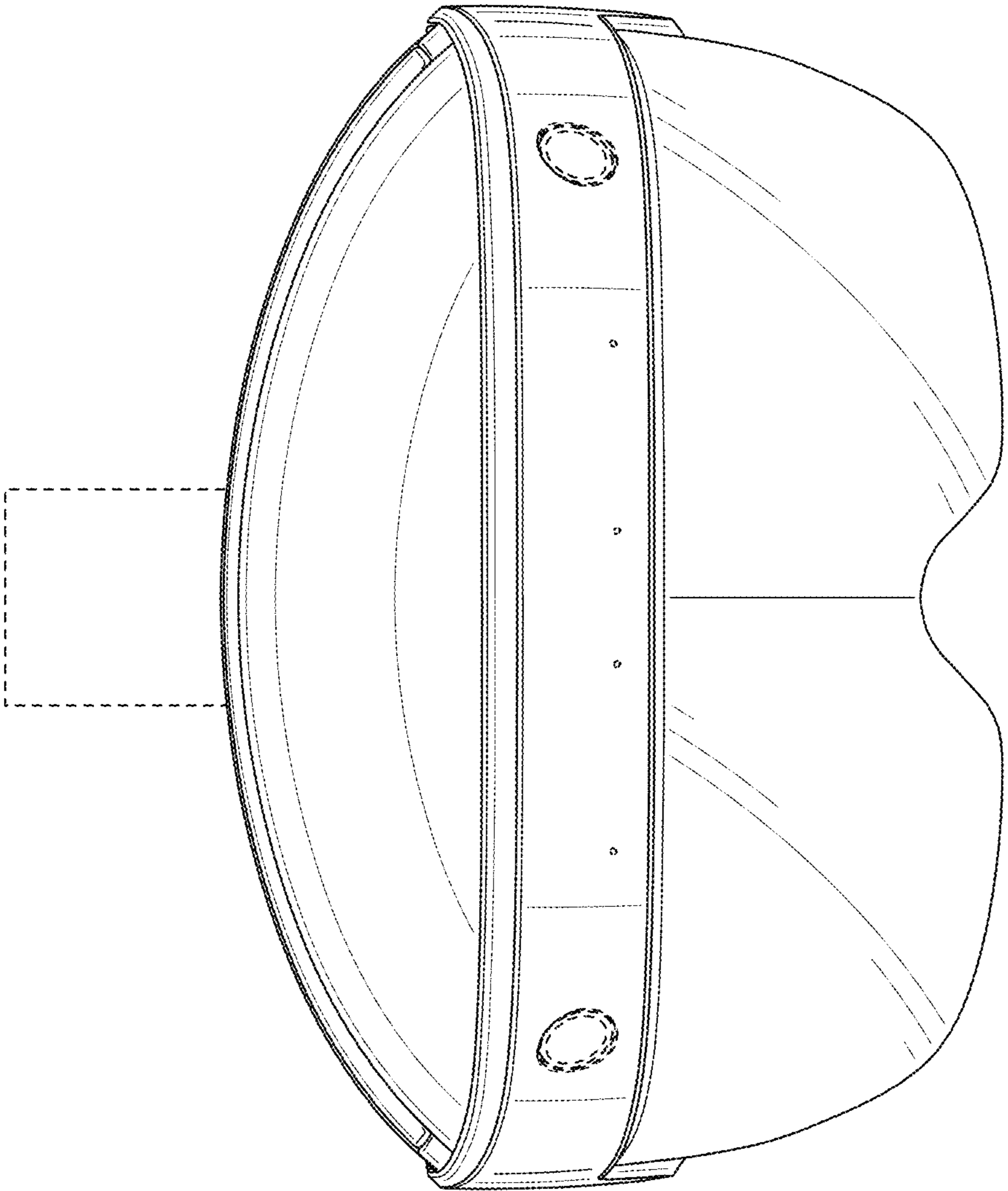


FIG. 2

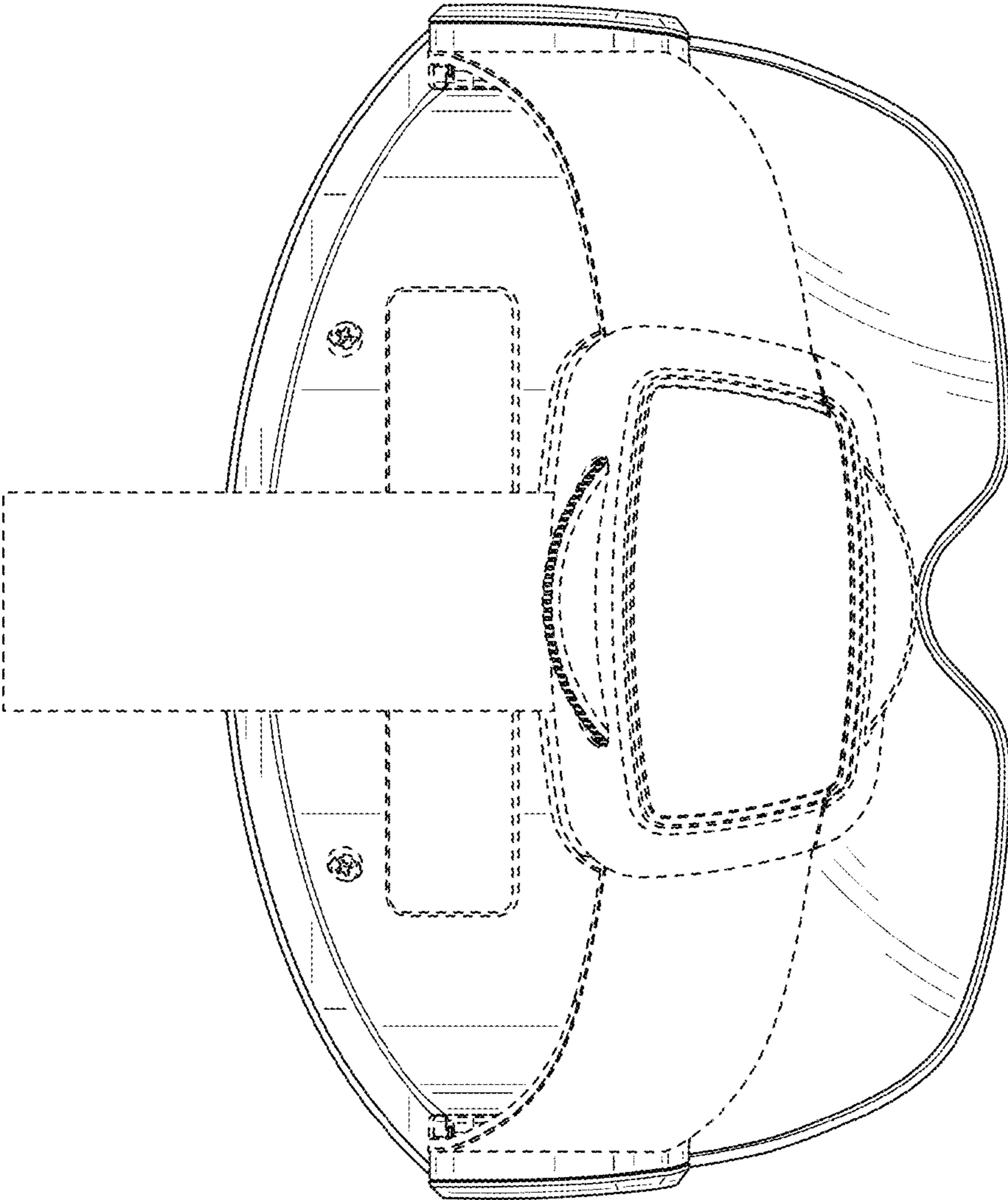


FIG. 3

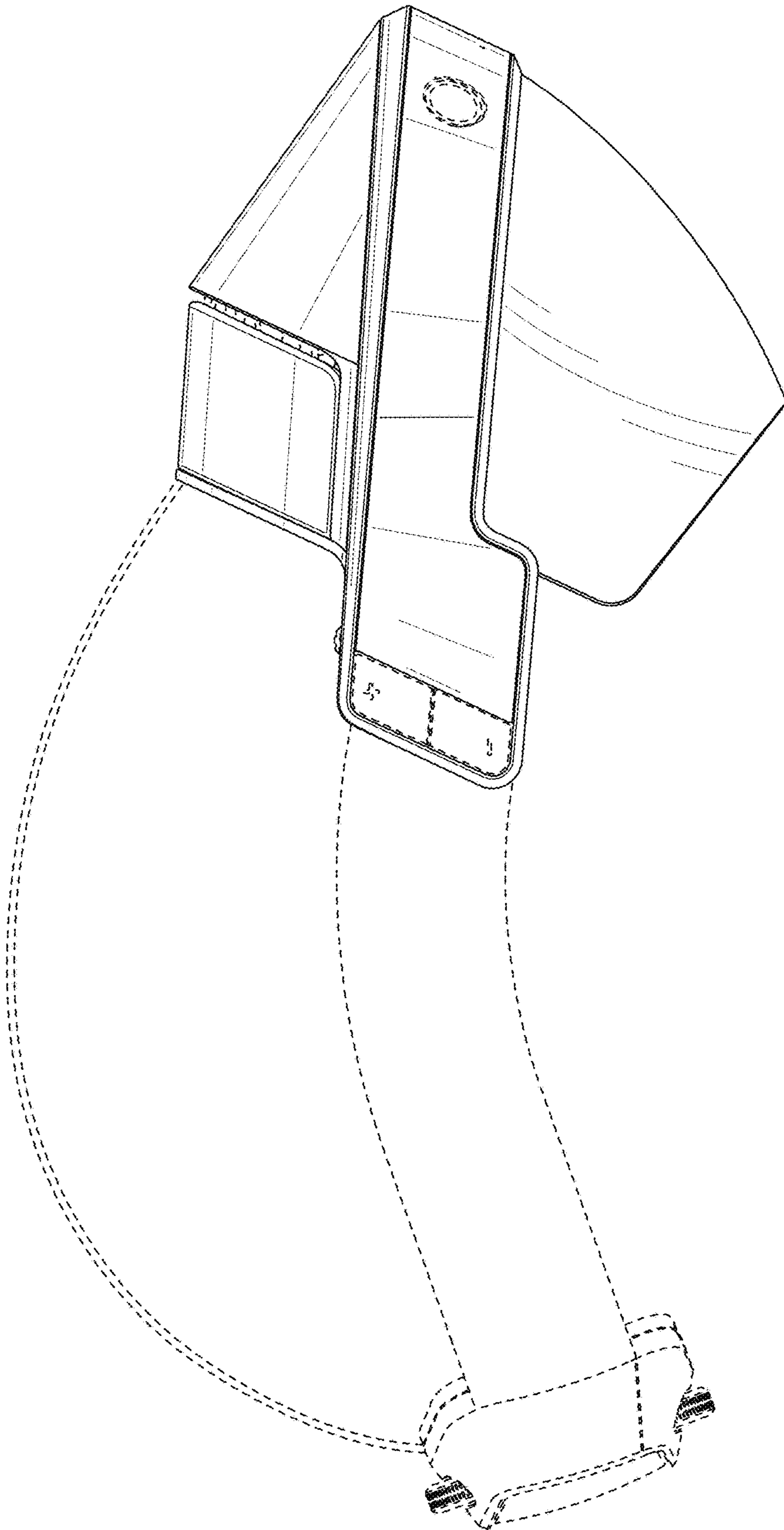


FIG. 4

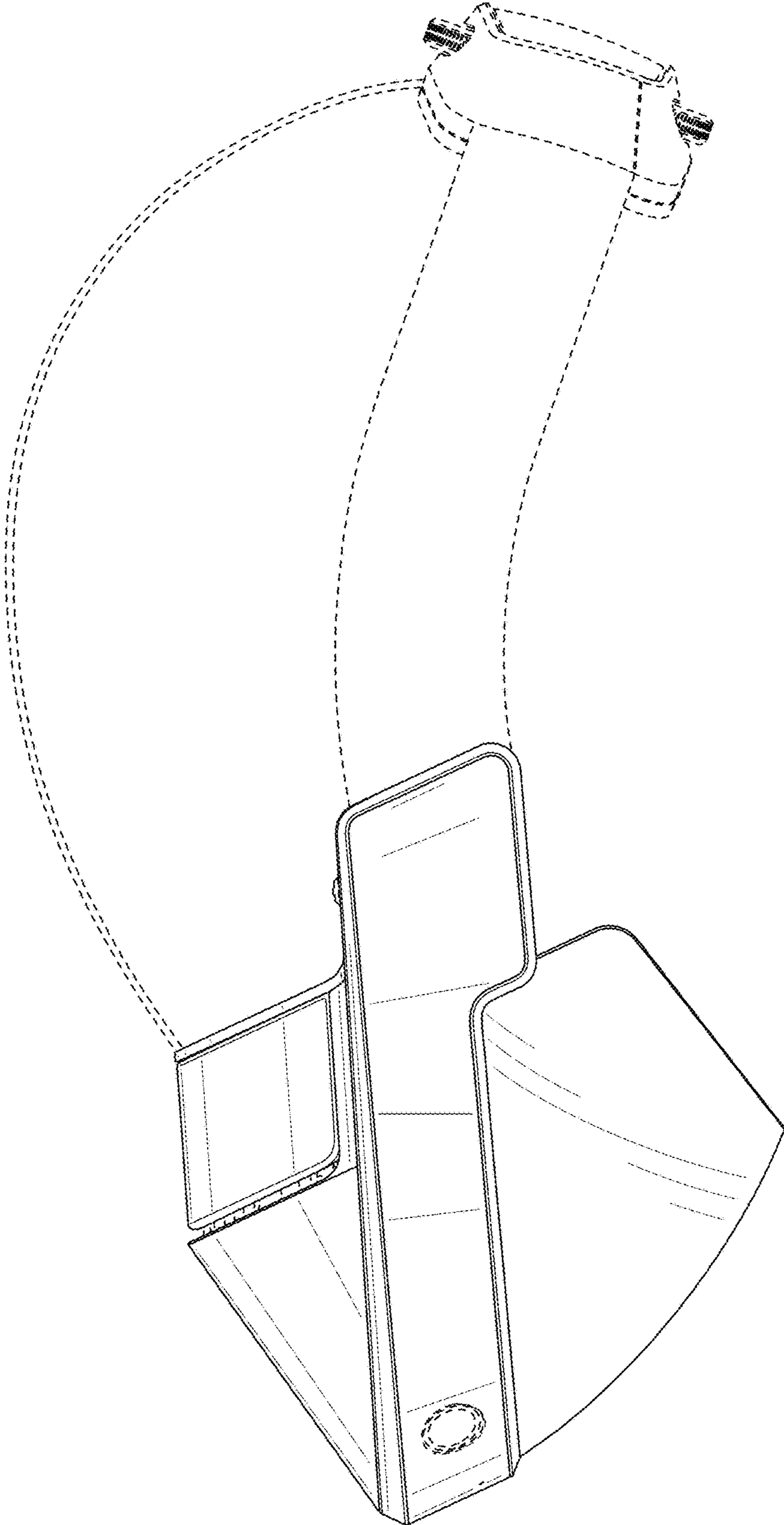


FIG. 5

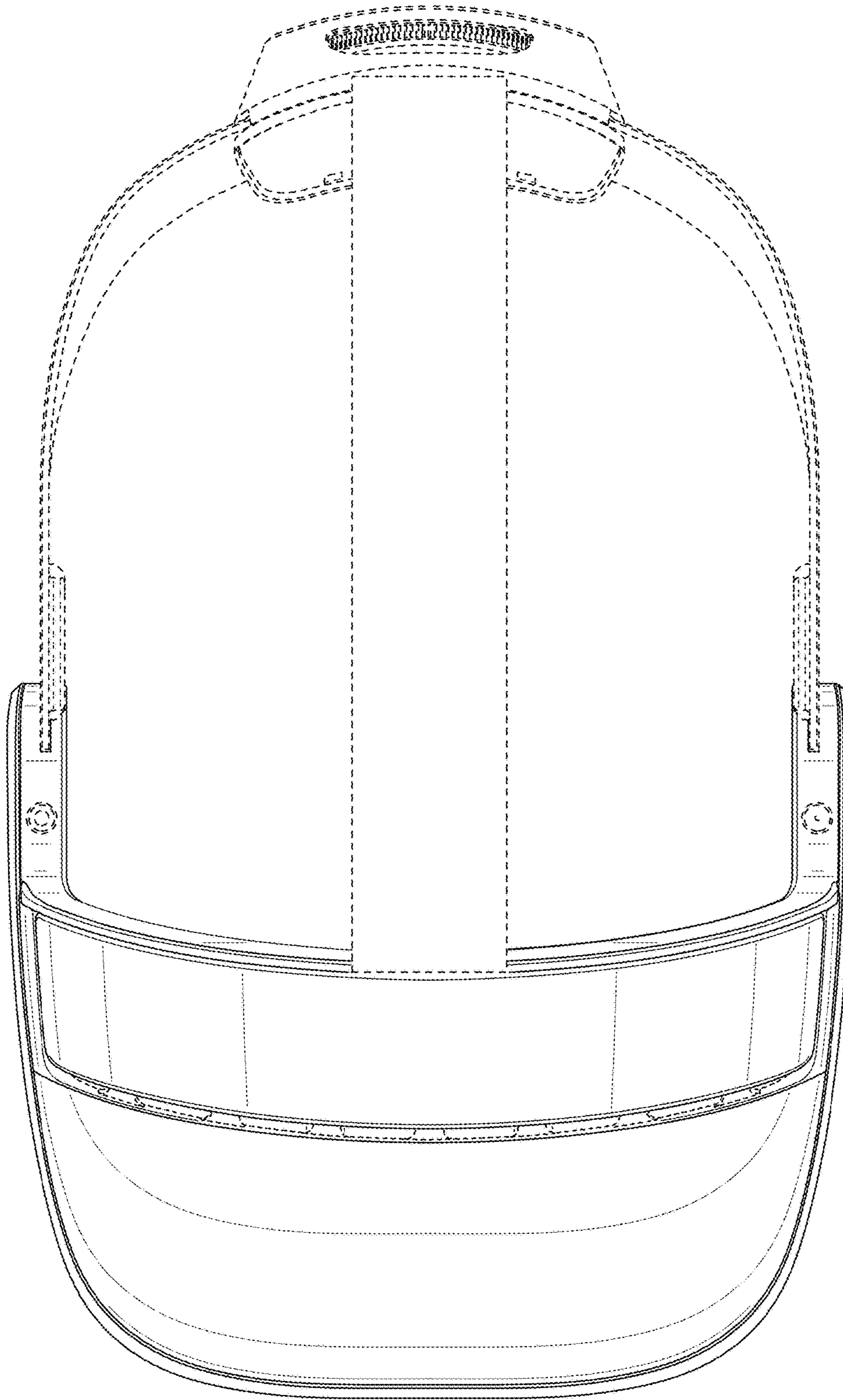


FIG. 6

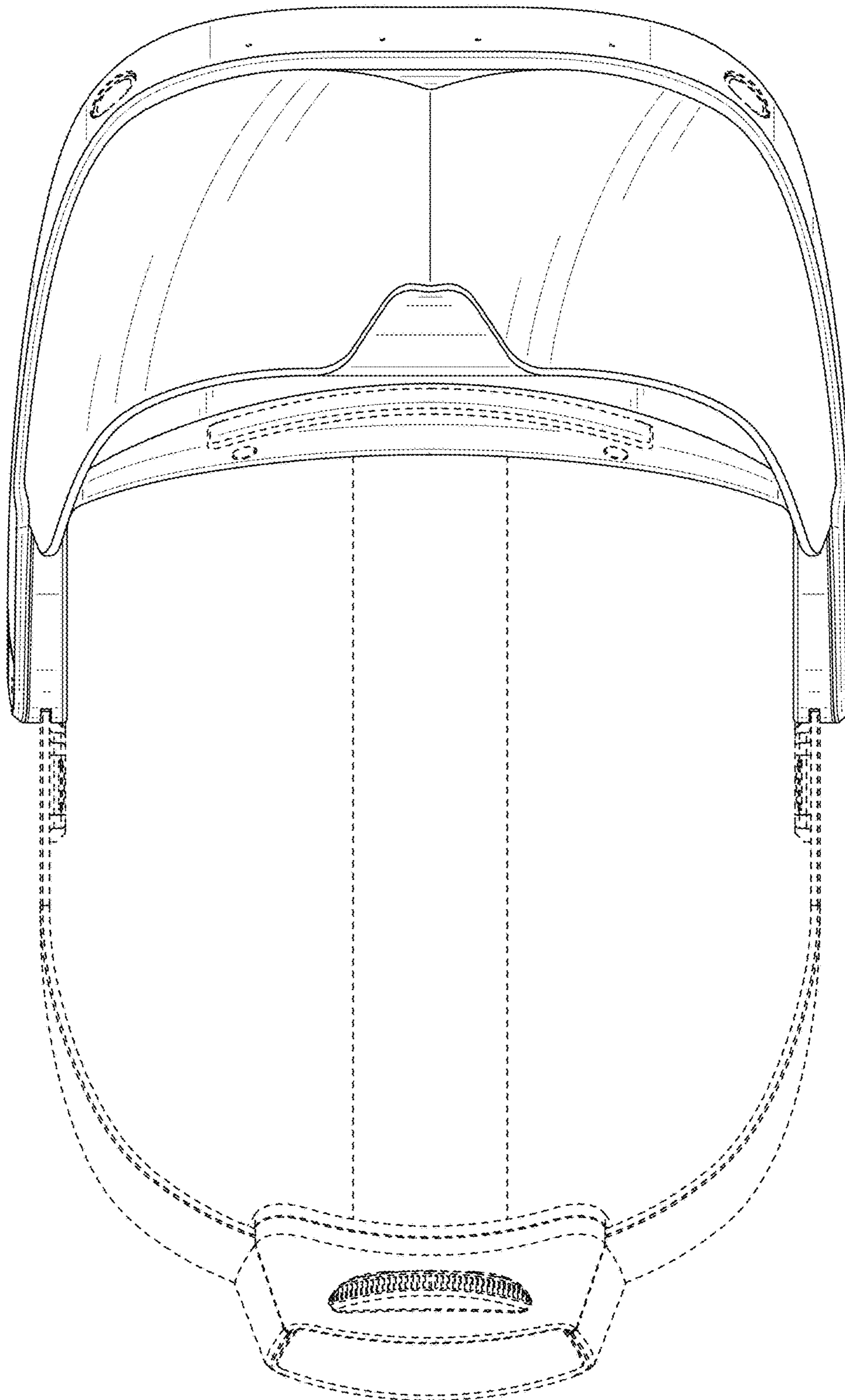


FIG. 7

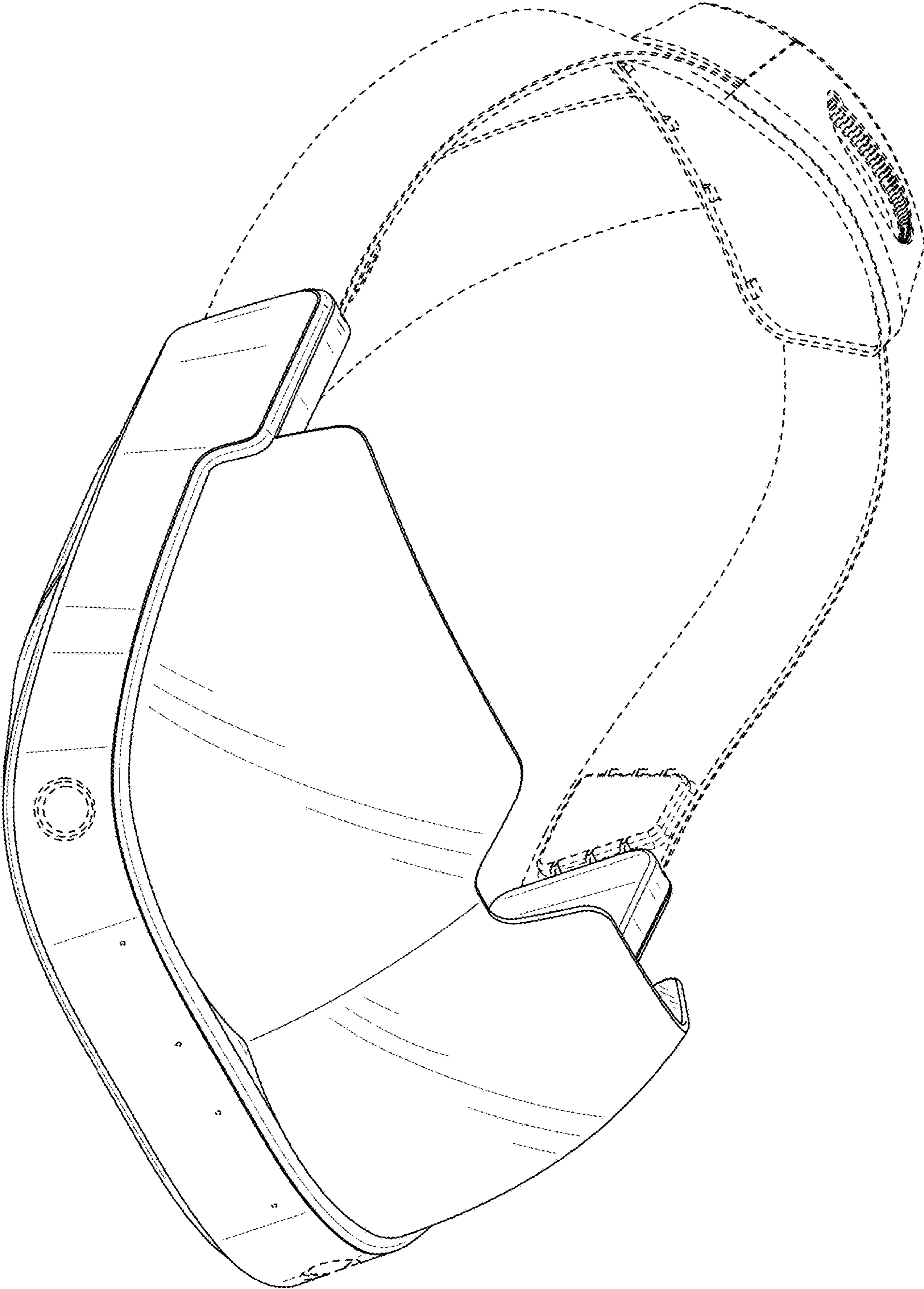


FIG. 8