



US00D812611S

(12) **United States Design Patent** (10) **Patent No.:** **US D812,611 S**  
**Yu** (45) **Date of Patent:** **\*\* Mar. 13, 2018**

- (54) **MULTIMODE DISPLAY DEVICE**
- (71) Applicant: **LENOVO (BEIJING) CO., LTD.**,  
Beijing (CN)
- (72) Inventor: **Fei Yu**, Beijing (CN)
- (73) Assignee: **LENOVO (BEIJING) CO., LTD.**,  
Beijing (CN)
- (\*\*) Term: **15 Years**
- (21) Appl. No.: **29/591,243**
- (22) Filed: **Jan. 18, 2017**

**Related U.S. Application Data**

- (62) Division of application No. 29/520,509, filed on Mar. 16, 2015, now Pat. No. Des. 780,750.

(30) **Foreign Application Priority Data**

- Sep. 30, 2014 (CN) ..... 2014 3 0372668
- (51) **LOC (11) Cl.** ..... **14-02**
- (52) **U.S. Cl.**  
USPC ..... **D14/371**
- (58) **Field of Classification Search**  
USPC ..... D14/371-375, 125-129, 336, 337, 447,  
D14/451; D6/300, 308; D19/113, 114;  
D20/10  
CPC ..... G09F 15/0025; G09F 15/0062; G09F  
15/0068; G06F 1/16; G06F 1/1613; G06F  
1/133308; G06F 1/1601; G06F 3/037;  
G06F 1/162; F16M 11/02; F16M 11/10;  
F16M 11/00; F16M 11/06; F16M 11/18;  
F16M 11/045; F16M 11/105; F16M  
11/041; F16M 11/126; F16M 11/04;  
F16M 11/24; F16M 13/02; A47F 5/00  
See application file for complete search history.

(56) **References Cited**

U.S. PATENT DOCUMENTS

D276,396 S *	11/1984	Locher .....	D6/708.24
D333,933 S	3/1993	Feinbloom	
5,806,943 A *	9/1998	Dell .....	A47B 21/00 108/147
D424,068 S	5/2000	Takemasa	
D439,225 S	3/2001	Kita	
D462,678 S	9/2002	Abboud	
D466,727 S *	12/2002	Abboud .....	D14/305
D525,462 S *	7/2006	Egger .....	D6/366
D549,015 S *	8/2007	Petrick .....	D6/681
D599,755 S	9/2009	Jin	
D653,245 S	1/2012	Buzzard	
D671,083 S	11/2012	Kim	
D677,655 S	3/2013	Sirotych	
D684,972 S *	6/2013	Benson .....	D14/371
D709,842 S	7/2014	Lee	
2003/0058372 A1	3/2003	Williams	

(Continued)

*Primary Examiner* — Freda S Nunn

(74) *Attorney, Agent, or Firm* — Oppedahl Patent Law Firm LLC

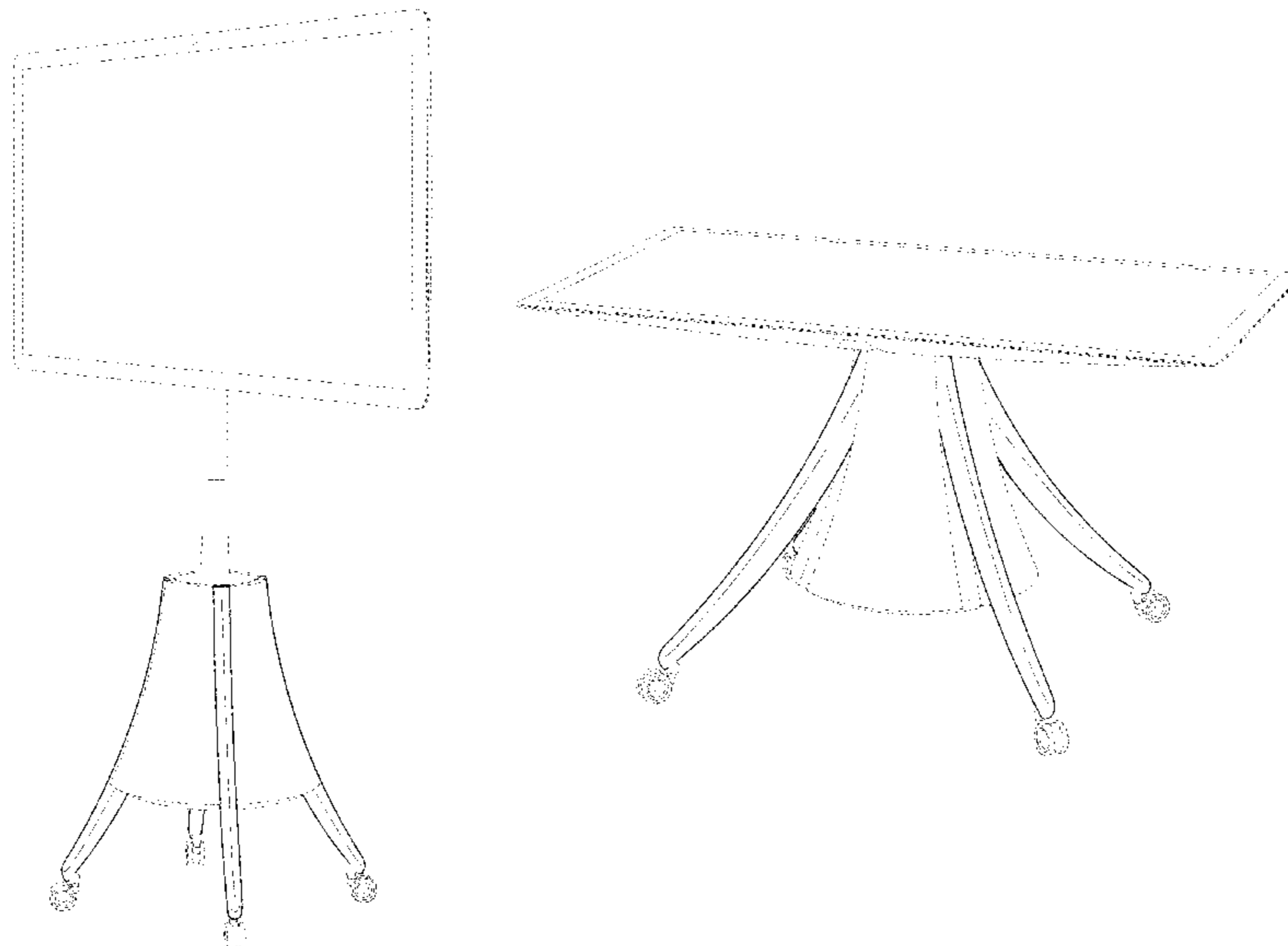
(57) **CLAIM**

The ornamental design for a multimode display device, as shown and described.

**DESCRIPTION**

FIG. 1 is a front view of the new design for a multimode display device;  
 FIG. 2 is a top view of FIG. 1;  
 FIG. 3 is a perspective of FIG. 1;  
 FIG. 4 is a front view of the new design for a multimode display device in another mode;  
 FIG. 5 is a bottom view of FIG. 4; and,  
 FIG. 6 is a perspective view of FIG. 4.  
 The features shown in broken lines in the drawings depict environmental subject matter and form no part of the claimed design.

**1 Claim, 6 Drawing Sheets**



(56)

**References Cited**

U.S. PATENT DOCUMENTS

2004/0217244 A1 11/2004 Wu  
2010/0148458 A1 6/2010 Ross

\* cited by examiner

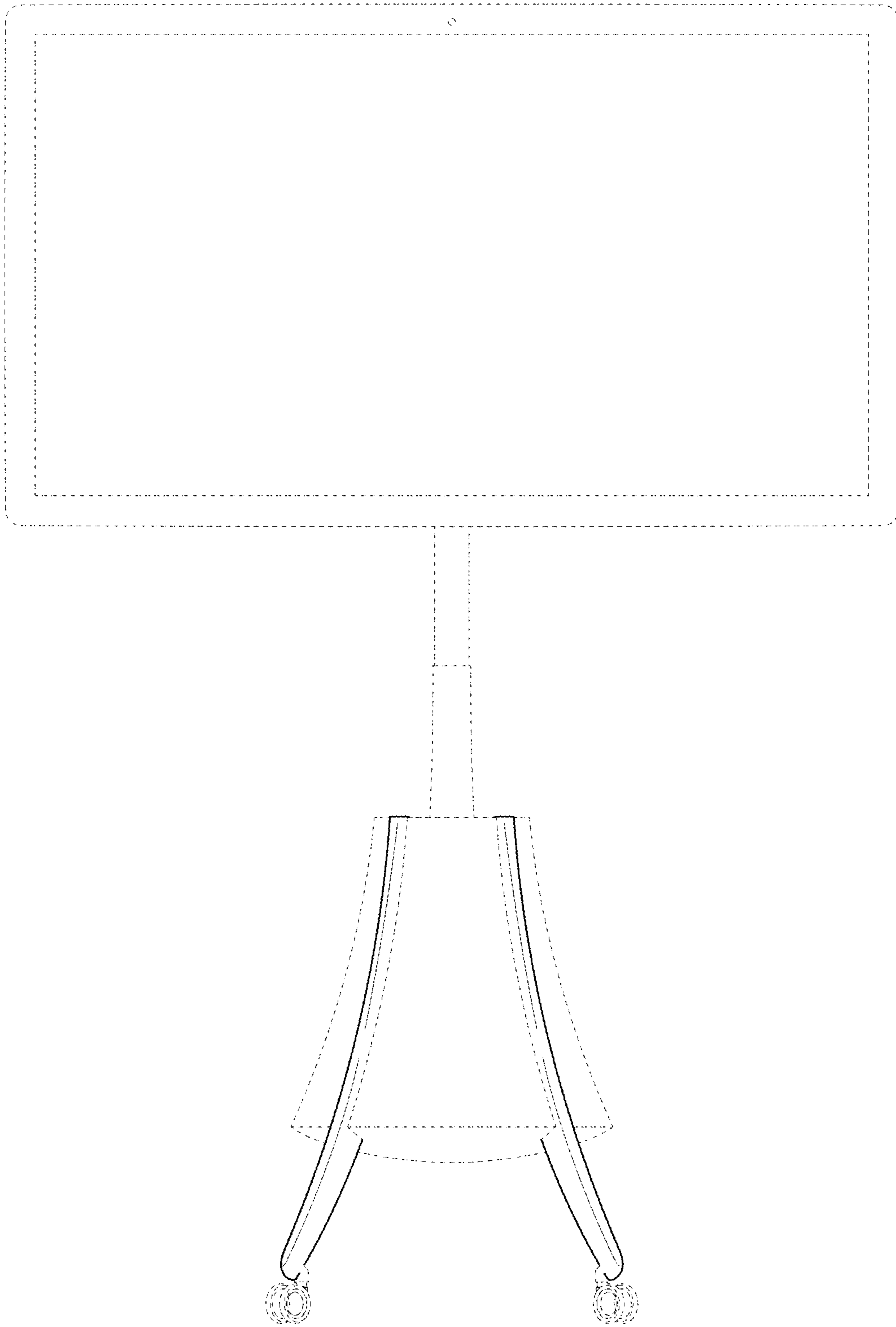


Fig. 1

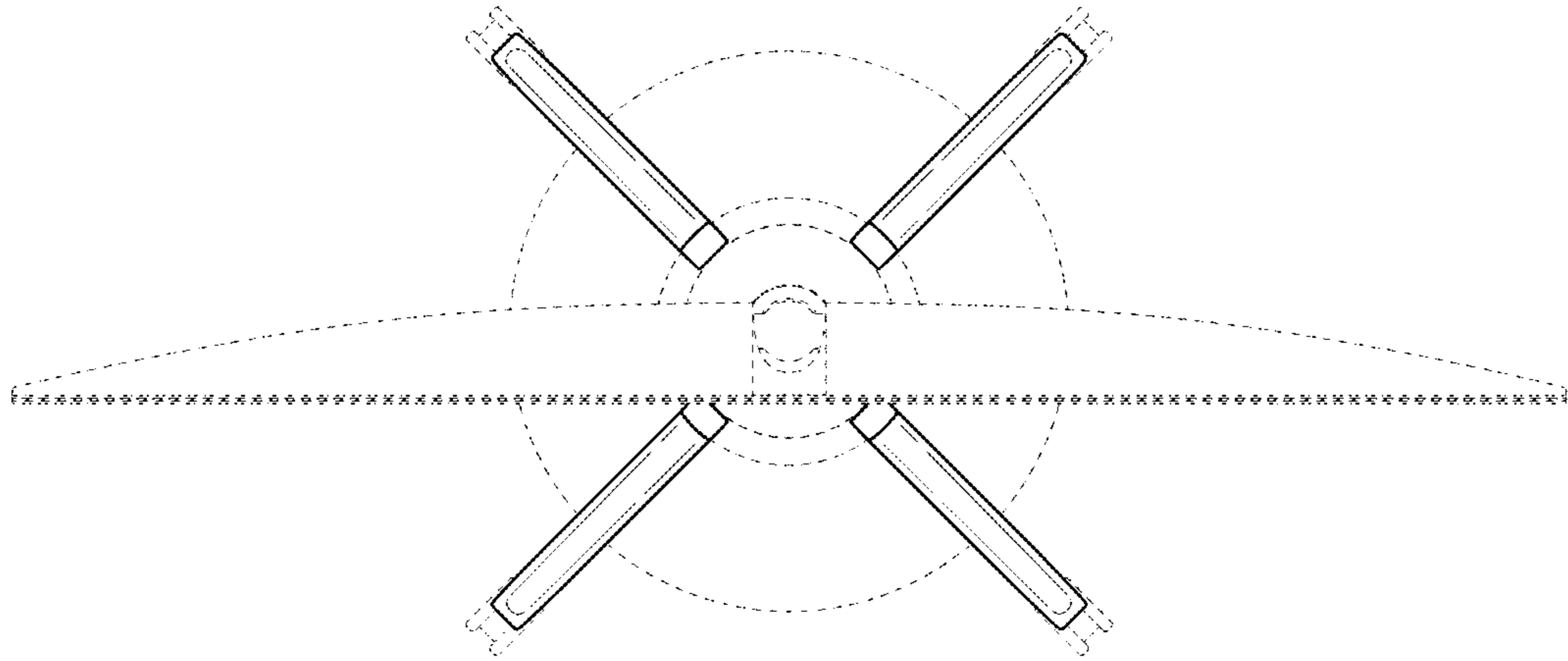


Fig. 2

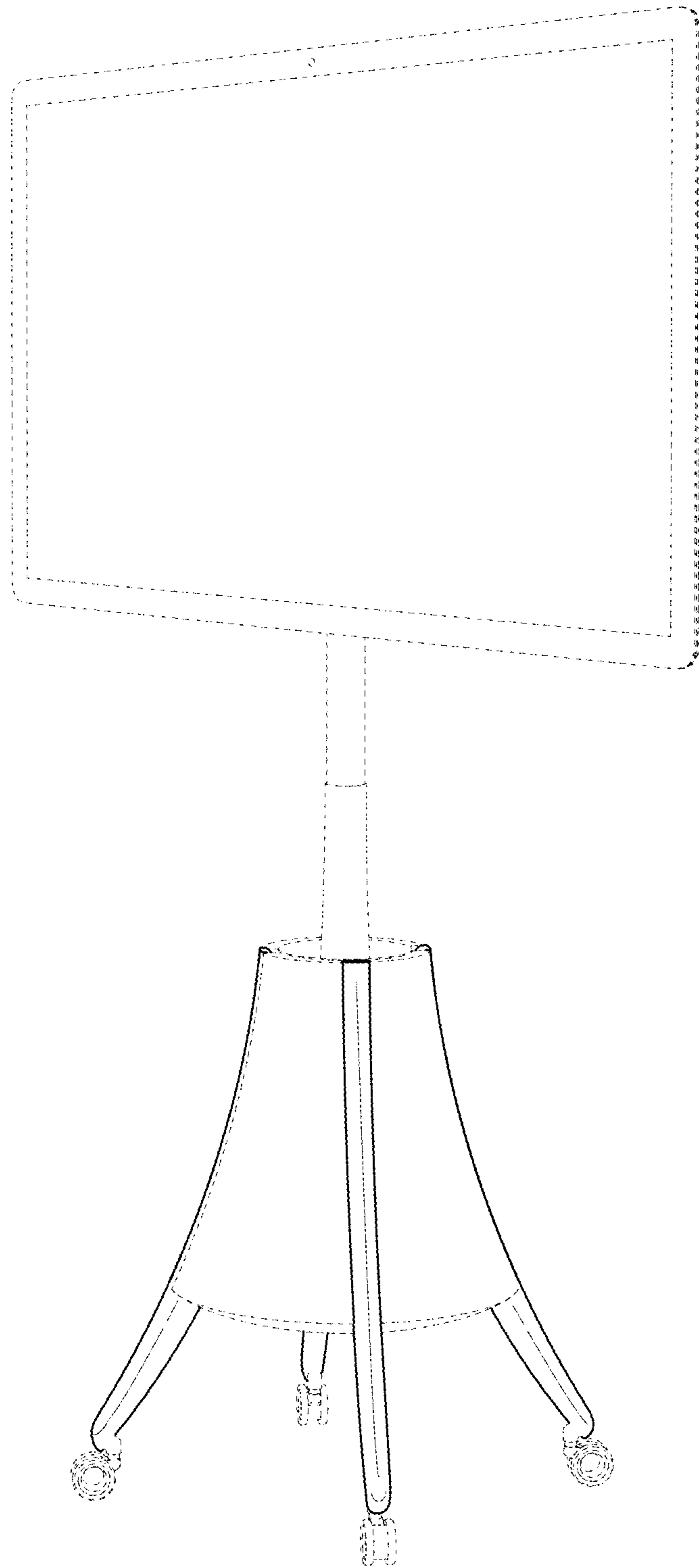


Fig. 3

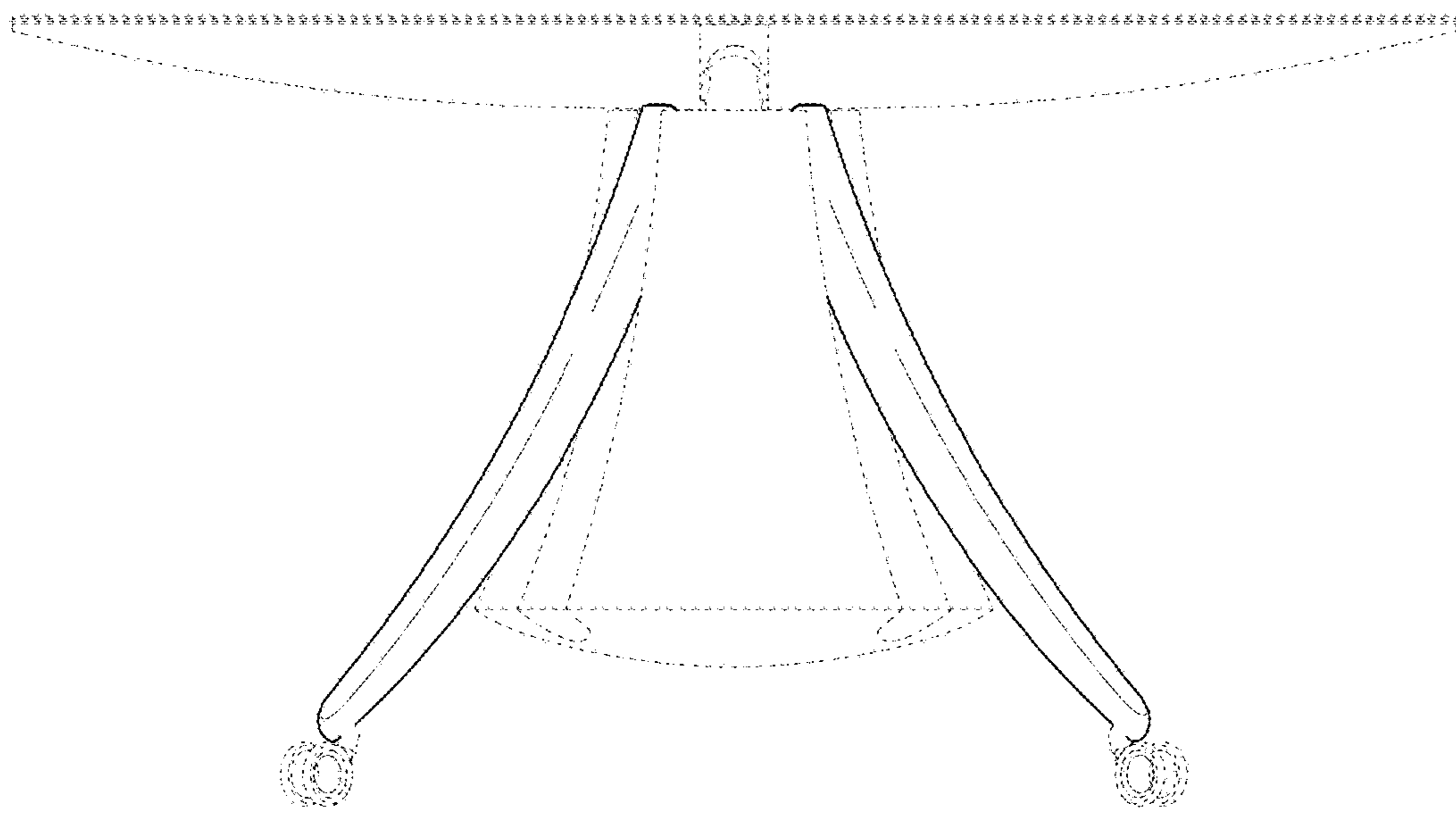


Fig. 4

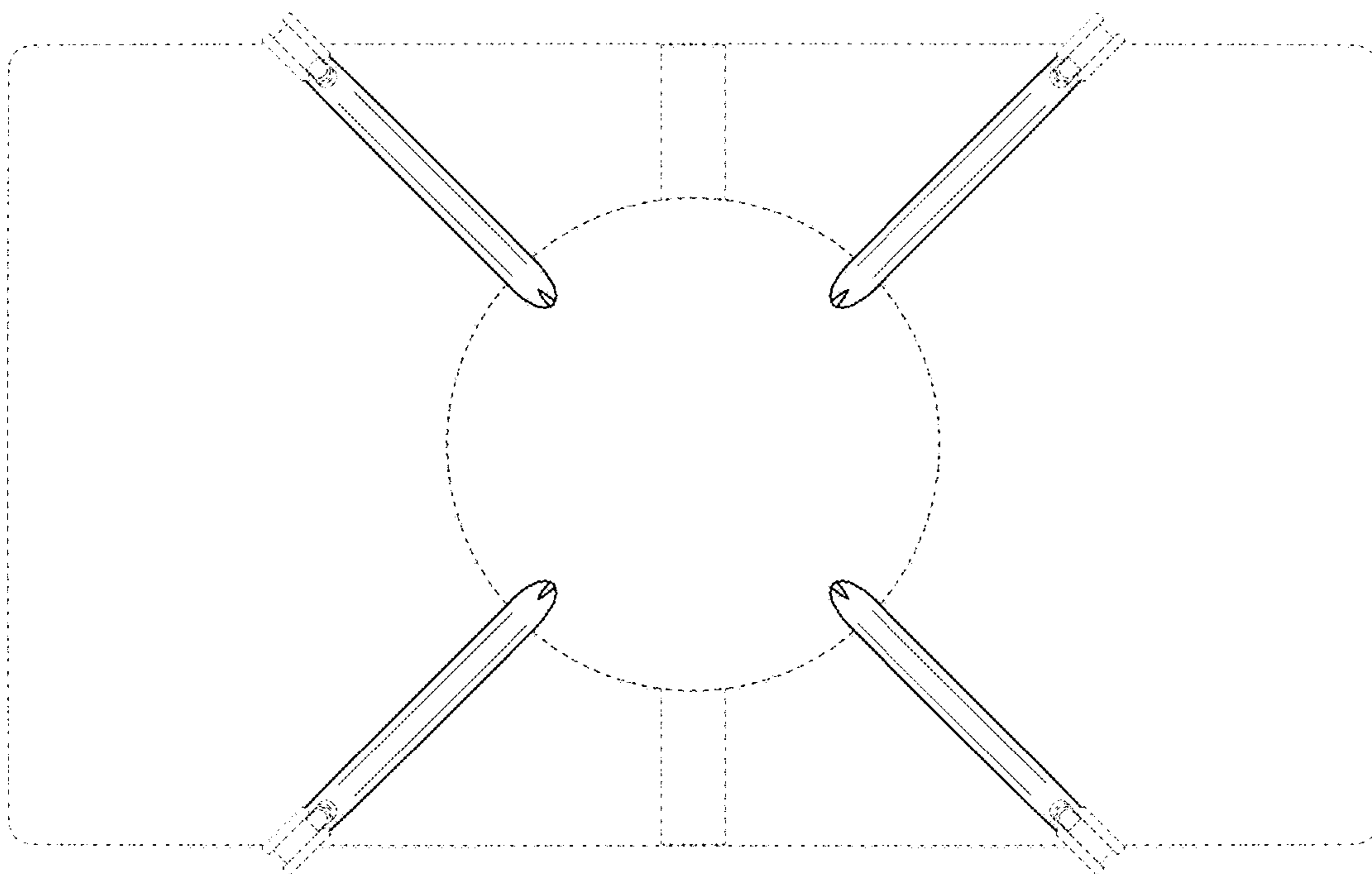


Fig. 5

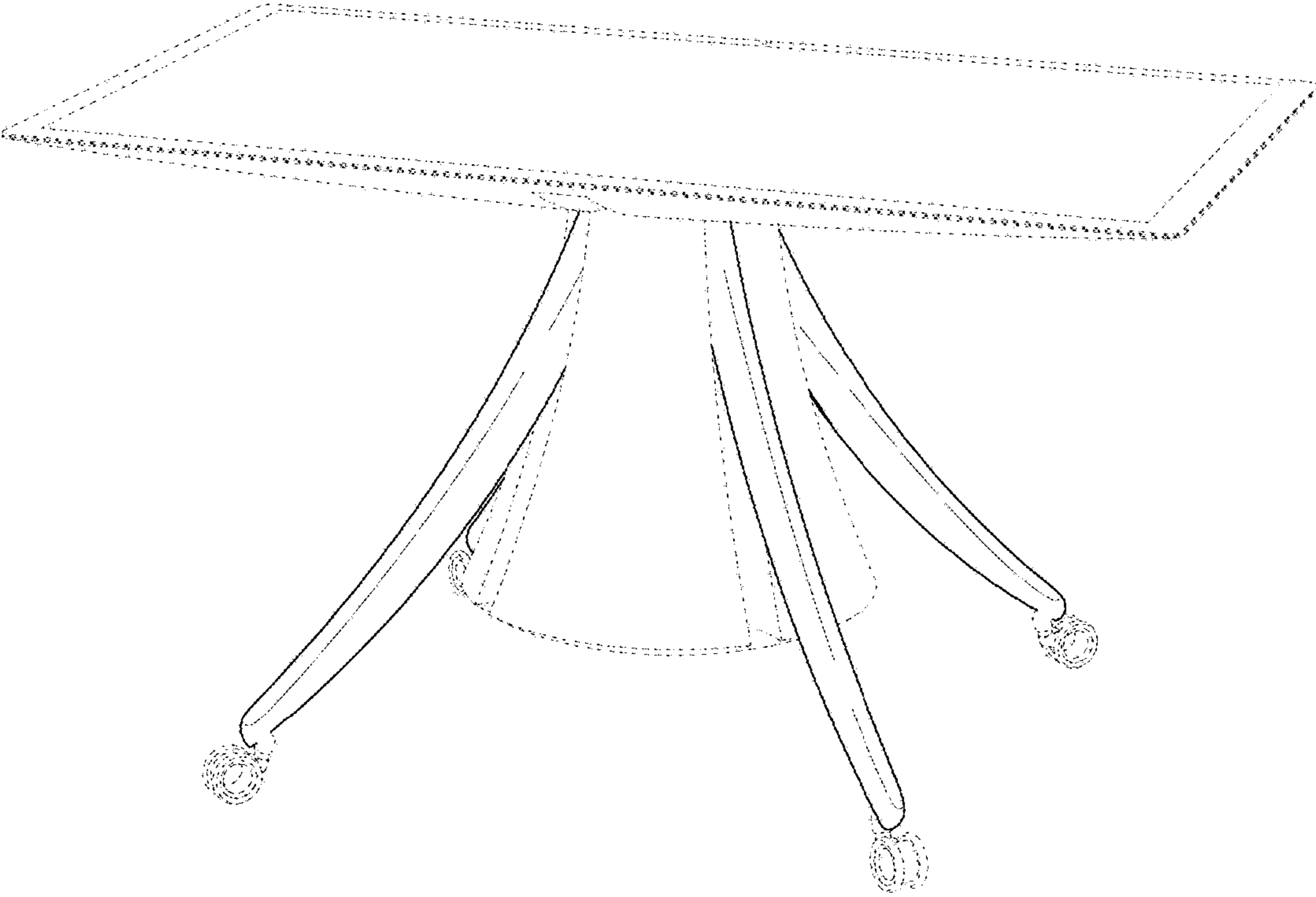


Fig. 6