



(12) **United States Design Patent**
Varghese et al.

(10) **Patent No.:** **US D812,610 S**
(45) **Date of Patent:** **** Mar. 13, 2018**

- (54) **DISPLAY WITH WALL MOUNT**
- (71) Applicant: **Google Inc.**, Mountain View, CA (US)
- (72) Inventors: **Sujit Varghese**, New York, NY (US);
Carl Johan Liden, New York, NY (US); **Brett Tom**, Richmond, CA (US);
Nicholas Burrows, Brooklyn, NY (US);
Eric Call, New York, NY (US)
- (73) Assignee: **Google LLC**, Mountain View, CA (US)

(**) Term: **15 Years**

(21) Appl. No.: **29/577,976**

(22) Filed: **Sep. 16, 2016**

(51) **LOC (11) Cl.** **14-02**

(52) **U.S. Cl.**
USPC **D14/371**

(58) **Field of Classification Search**
USPC D14/371-375, 125-129, 336, 337;
D6/300, 308; D19/113, 114; D20/10
CPC G09F 15/0025; G09F 15/0062; G09F
15/0068; G06F 1/16; G06F 1/1613; G06F
1/133308; G06F 1/1601; G06F 3/037;
G06F 1/162; F16M 11/02; F16M 11/10;
F16M 11/00; F16M 11/06; F16M 11/18;
F16M 11/045; F16M 11/105; F16M
11/041; F16M 11/126; F16M 11/04;
F16M 11/24; F16M 13/02; A47F 5/00
See application file for complete search history.

(56) **References Cited**

U.S. PATENT DOCUMENTS

D528,114 S * 9/2006 Kawa D14/375
D615,510 S * 5/2010 Won D14/126

D635,189 S * 3/2011 Bolt D14/374
D643,392 S * 8/2011 Ryu D14/126
D658,613 S * 5/2012 Lee F16M 11/18
D14/126
D679,671 S * 4/2013 Fujii F16M 11/126
D14/126
D762,772 S * 8/2016 Tsuruoka A61M 16/0051
D14/371
2003/0058372 A1* 3/2003 Williams F16M 11/18
348/836

* cited by examiner

Primary Examiner — Freda S Nunn

(74) *Attorney, Agent, or Firm* — Finnegan, Henderson,
Farabow, Garrett & Dunner, LLP

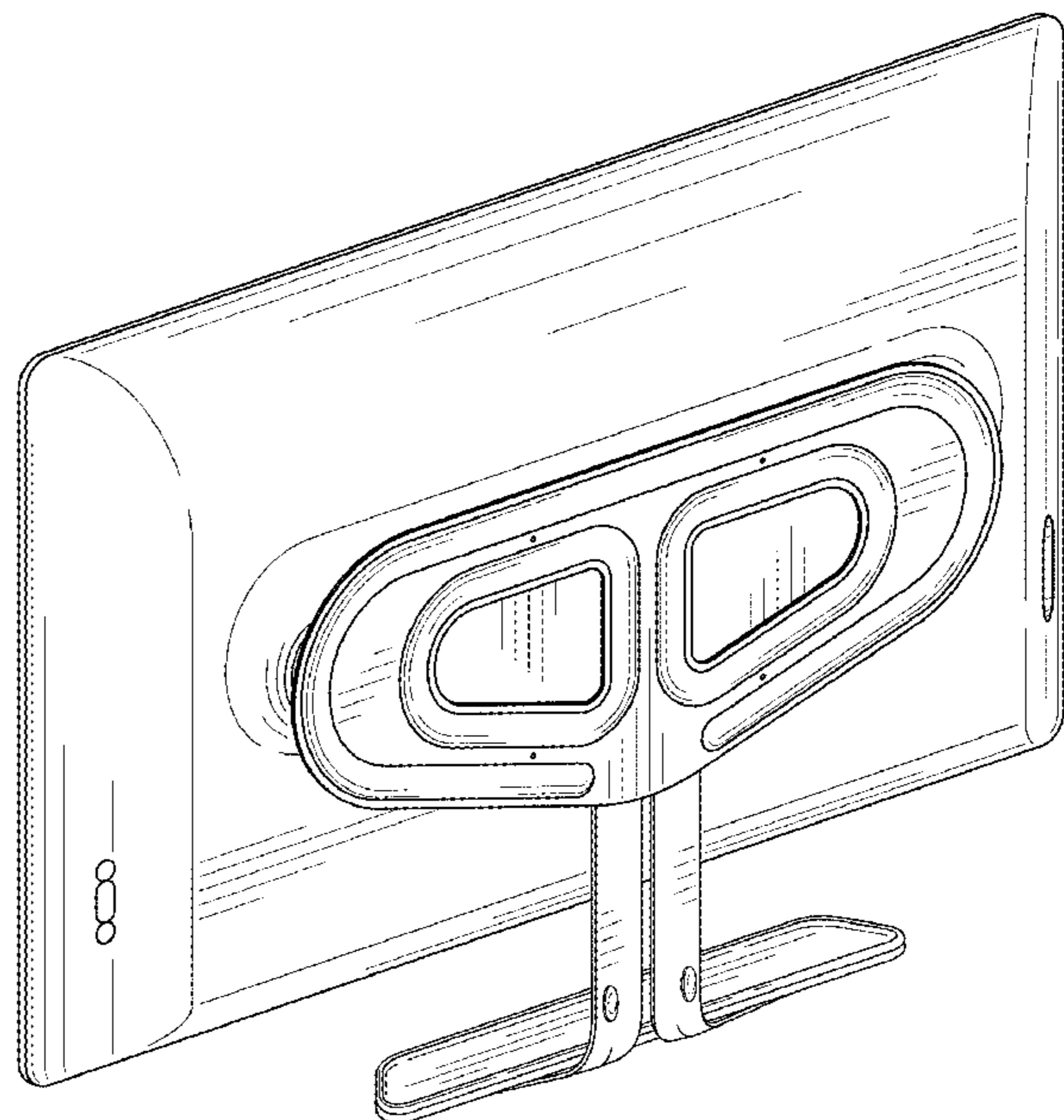
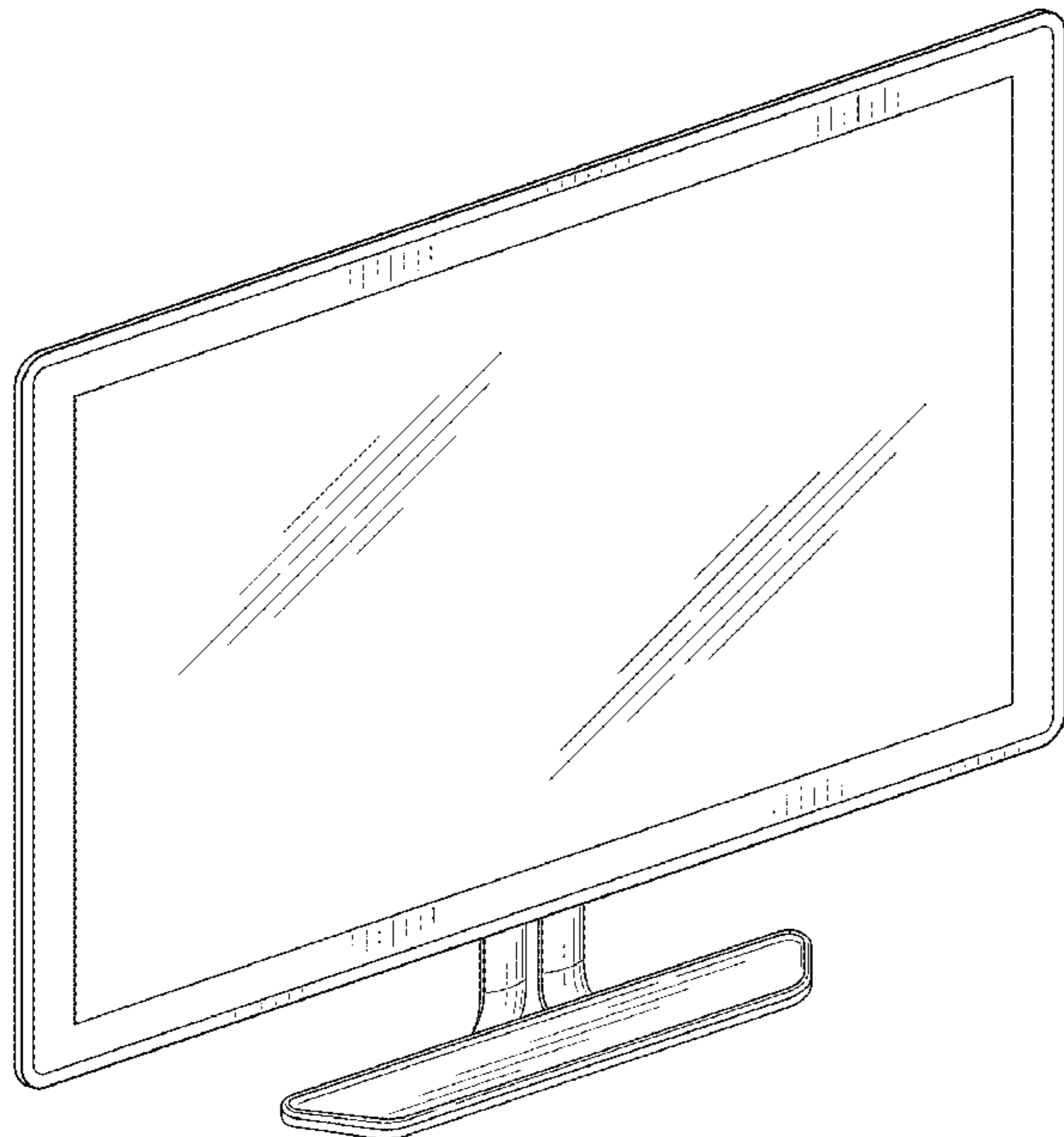
(57) **CLAIM**

The ornamental design for a display with wall mount, as shown and described.

DESCRIPTION

FIG. 1 is a front perspective view of a display with wall mount;
FIG. 2 is a front view thereof;
FIG. 3 is a rear view thereof;
FIG. 4 is a right side view thereof;
FIG. 5 is a left side view thereof;
FIG. 6 is a top view thereof;
FIG. 7 is a bottom view thereof; and,
FIG. 8 is a rear perspective view thereof.

1 Claim, 5 Drawing Sheets



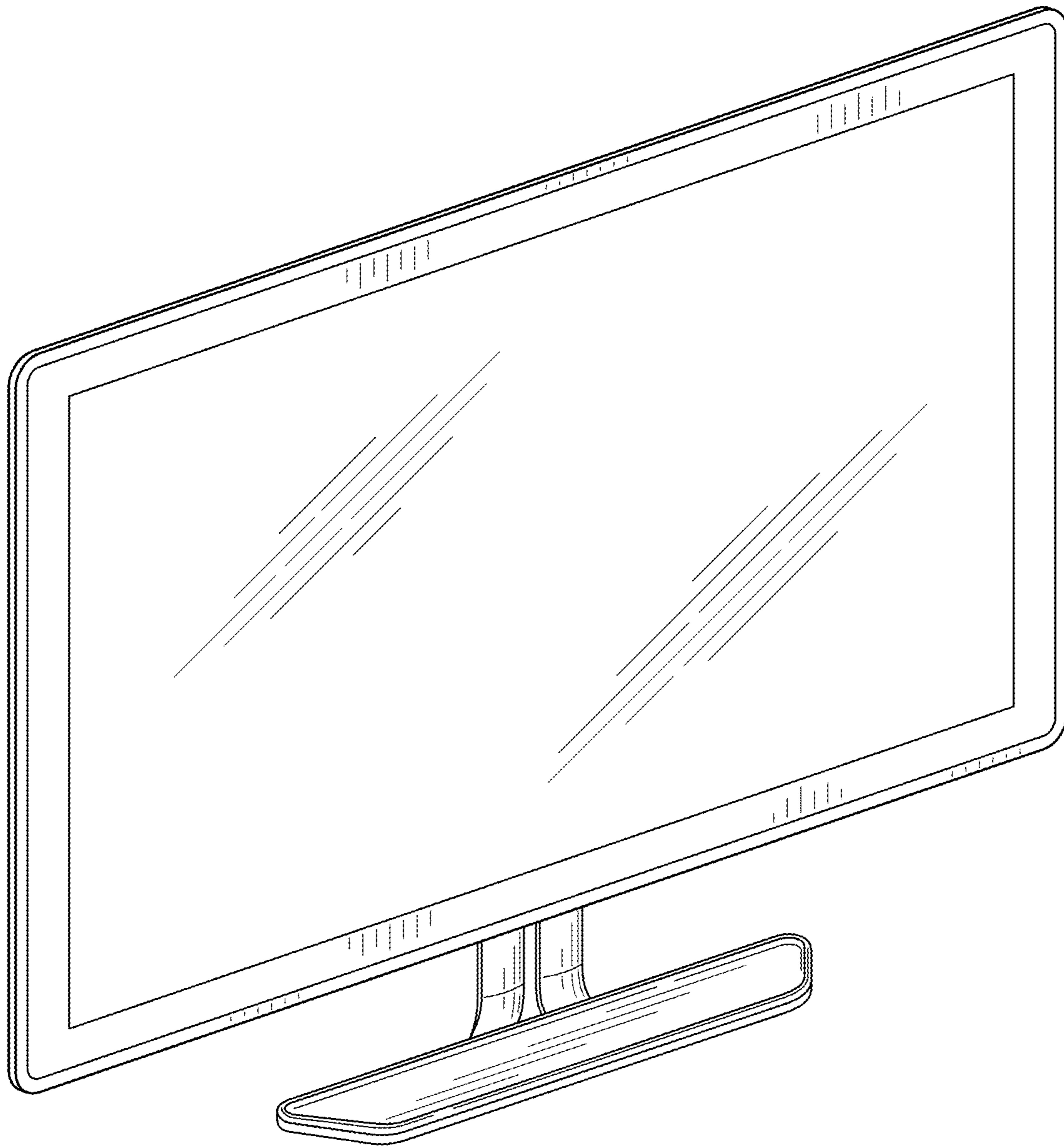


FIG. 1

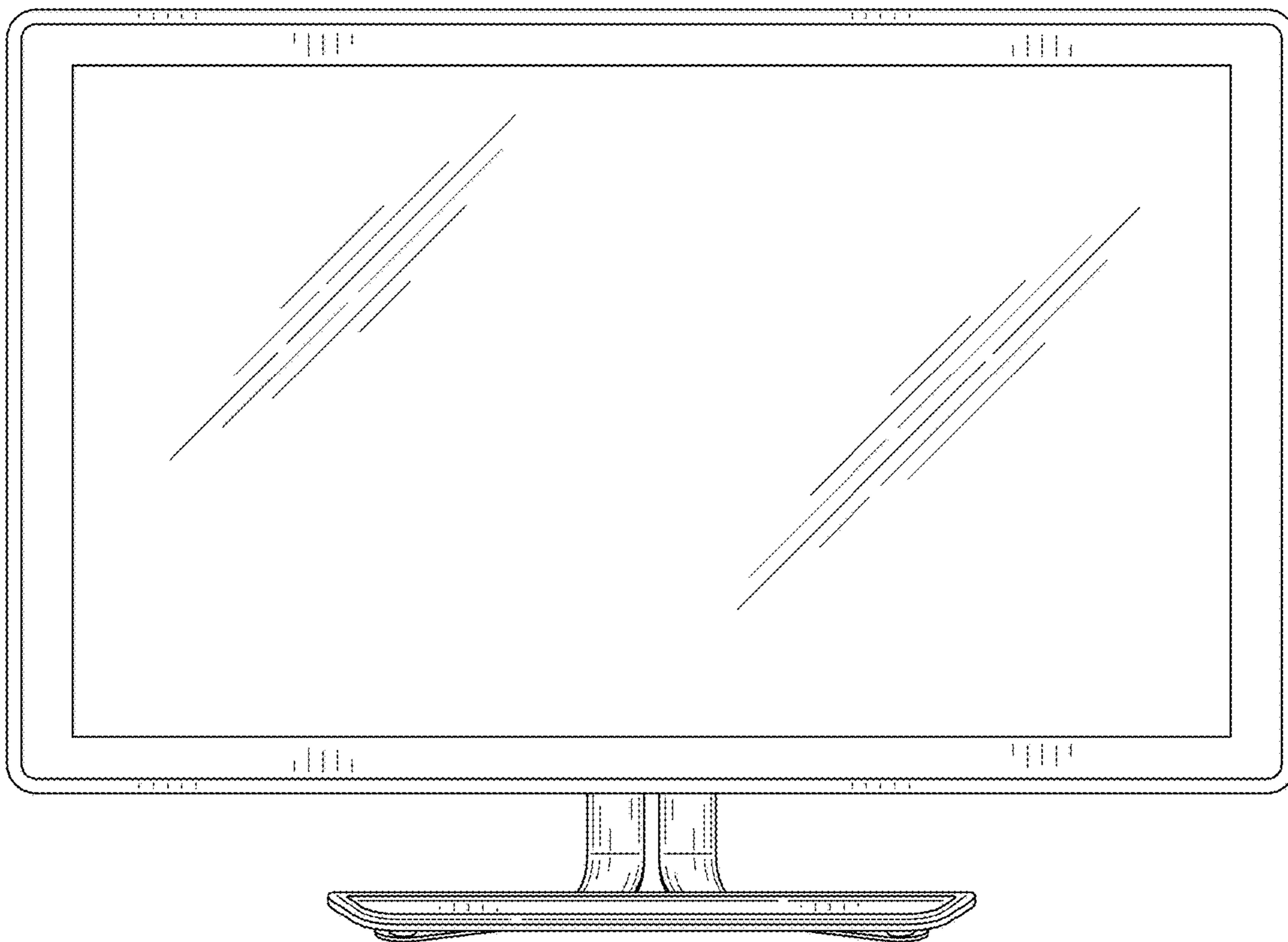


FIG. 2

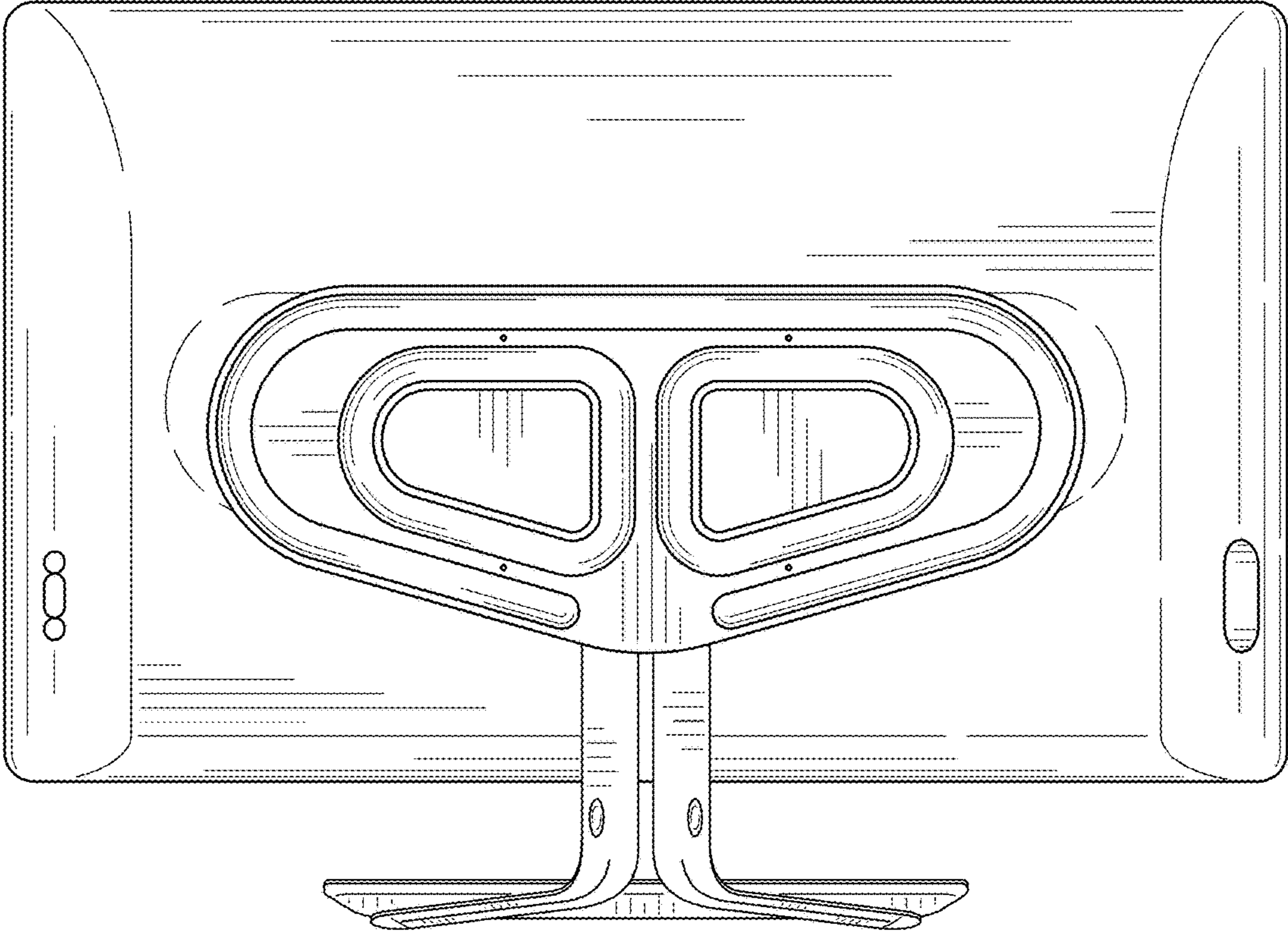


FIG. 3

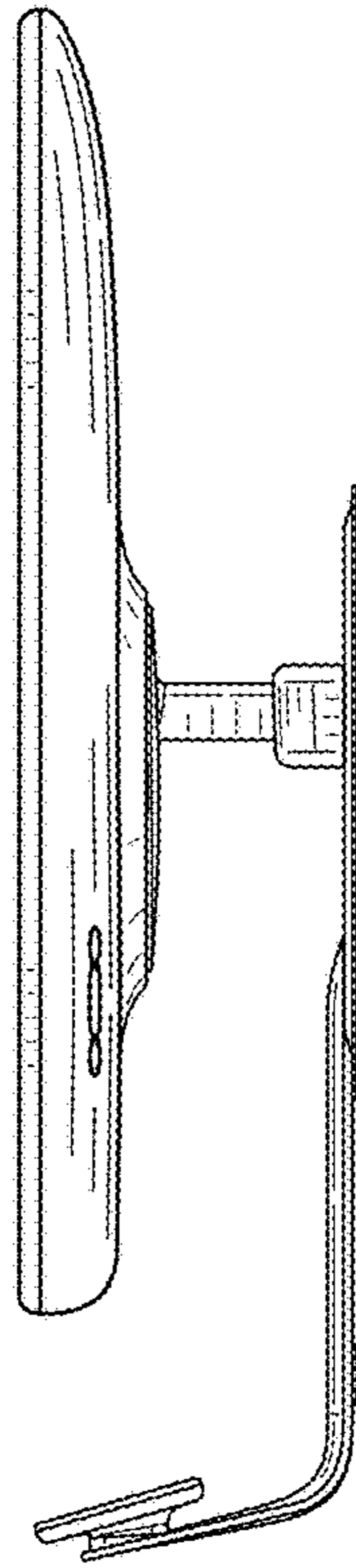


FIG. 4

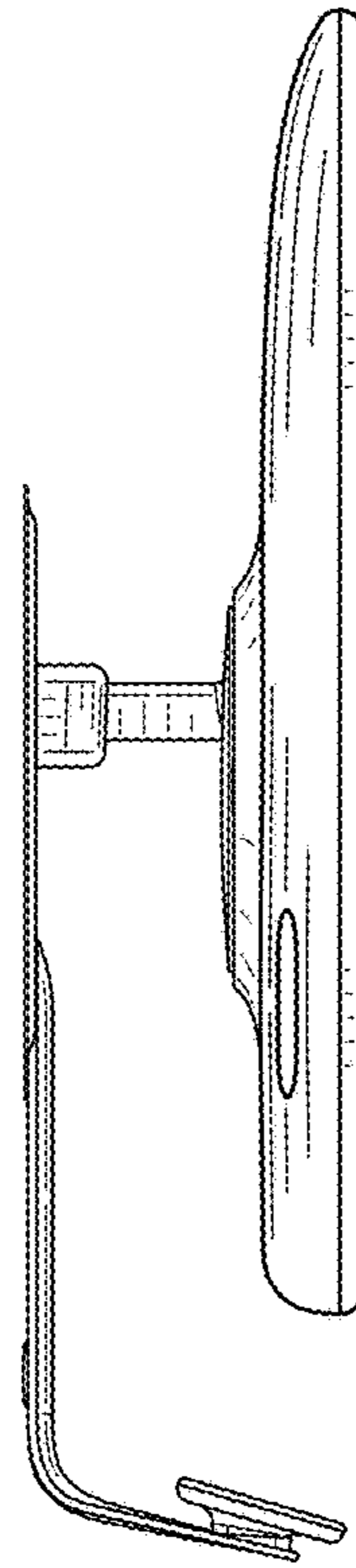


FIG. 5

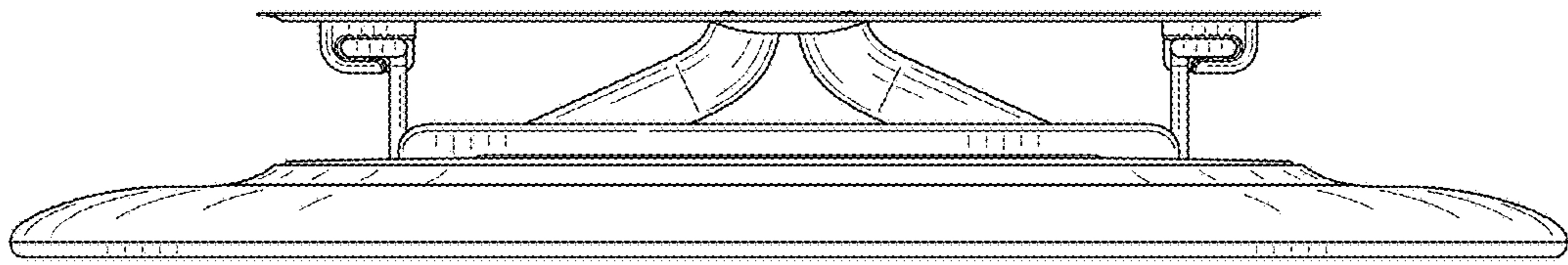


FIG. 6

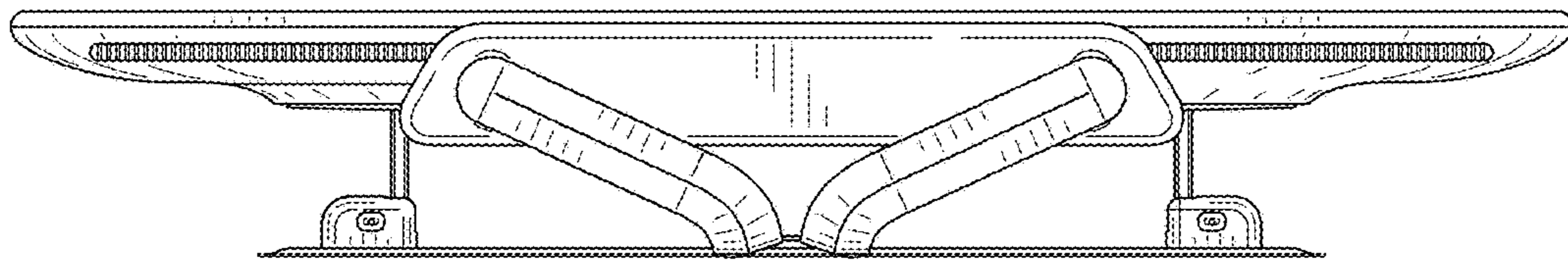


FIG. 7

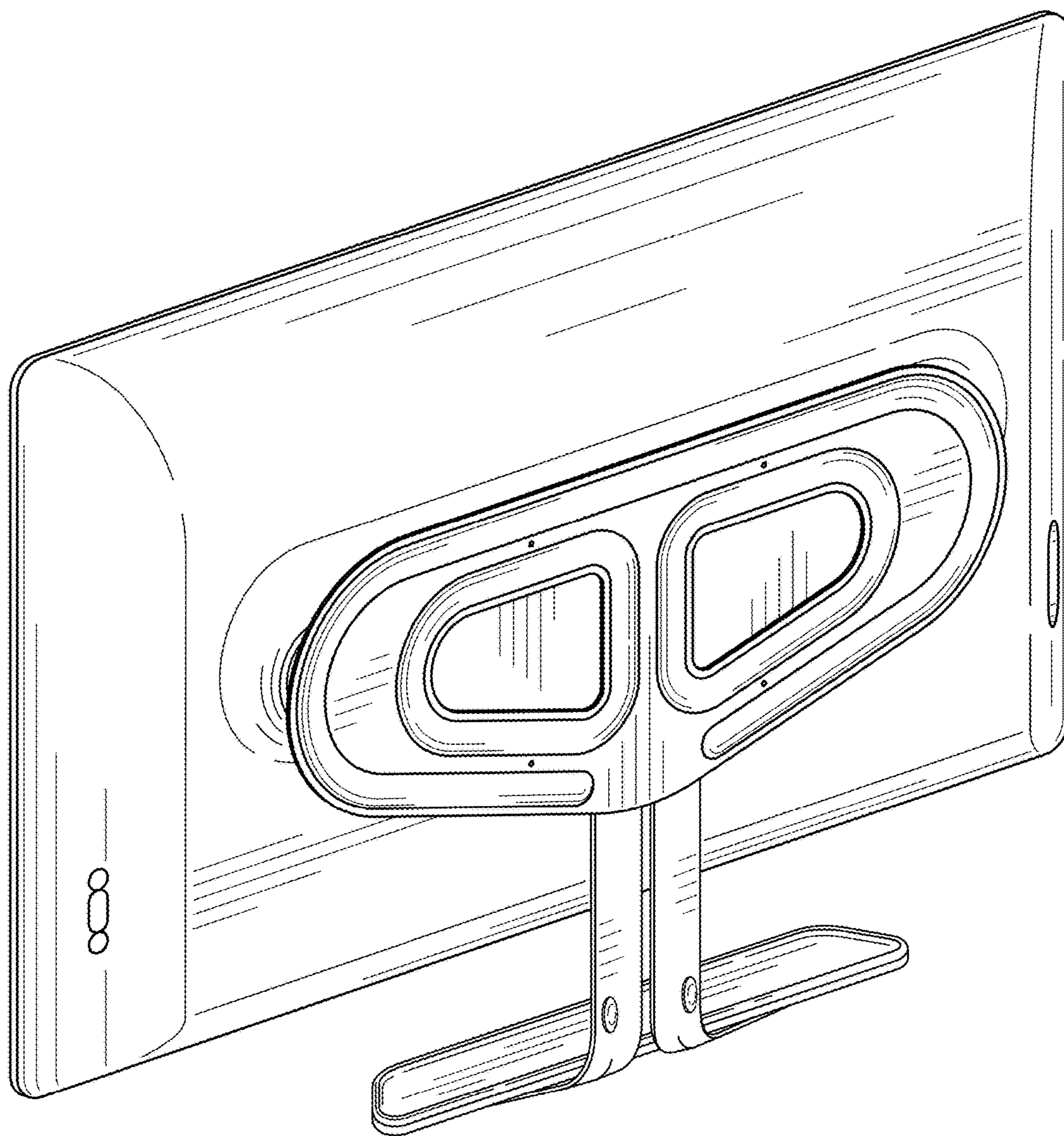


FIG. 8