

US00D812609S

(12) **United States Design Patent**  
**Kimbrough et al.**

(10) **Patent No.:** **US D812,609 S**  
(45) **Date of Patent:** **\*\* Mar. 13, 2018**

(54) **COLLAPSIBLE DISPLAY**

11/126; A47G 1/065; H04M 1/0216;  
H04M 1/0268

See application file for complete search history.

(71) Applicants: **Mark Starr Kimbrough**, Pearland, TX  
(US); **Carlyle Patrick Yarbough**,  
League City, TX (US); **Shengliang**  
**Zhu**, Houston, TX (US); **Alexander**  
**David Wesley**, Galveston, TX (US)

(56) **References Cited**

U.S. PATENT DOCUMENTS

5,887,373 A \* 3/1999 Byers ..... A47G 1/065  
40/605  
D480,083 S \* 9/2003 Borsboom ..... D14/345  
D567,237 S \* 4/2008 Kim ..... D14/314  
D580,928 S \* 11/2008 Bemelmans ..... D14/345  
7,714,801 B2 \* 5/2010 Kimmel ..... G06F 1/1616  
345/1.3

(Continued)

*Primary Examiner* — Freda S Nunn

(72) Inventors: **Mark Starr Kimbrough**, Pearland, TX  
(US); **Carlyle Patrick Yarbough**,  
League City, TX (US); **Shengliang**  
**Zhu**, Houston, TX (US); **Alexander**  
**David Wesley**, Galveston, TX (US)

(57) **CLAIM**

The ornamental design for a collapsible display, as shown.

(73) Assignee: **Arovia, Inc.**, Houston, TX (US)

(\*\*) Term: **15 Years**

**DESCRIPTION**

(21) Appl. No.: **29/555,011**

FIG. 1 is a perspective view of the screen open and cover open of the collapsible display showing our new design; FIG. 2 is an upper perspective view of the screen open and cover open thereof; FIG. 3 is an upper view of the screen open and cover open thereof; FIG. 4 is a rear perspective view of the screen open and cover open thereof; FIG. 5 is a rear view of the screen open and cover open thereof; FIG. 6 is a zoomed rear perspective view of the screen open and cover open thereof; FIG. 7 is a zoomed rear perspective view of the screen closed (not depicted) and cover open thereof; FIG. 8 is an upper perspective view of the screen closed (not depicted) and cover open thereof; FIG. 9 is a side view of the screen closed (not depicted) and cover open thereof; FIG. 10 is a rear perspective view of the screen closed (not depicted) and cover closed thereof; FIG. 11 is an upper perspective view of the screen closed (not depicted) and cover closed thereof; and,

(22) Filed: **Feb. 17, 2016**

(51) **LOC (11) Cl.** ..... **14-02**

(52) **U.S. Cl.**  
USPC ..... **D14/371**

(58) **Field of Classification Search**  
USPC ..... D14/371–375, 125–129, 336, 337, 341,  
D14/345, 239; 341/12; 345/104, 156,  
345/168, 173; 348/180, 184, 325, 739;  
349/1, 2, 11, 62; 361/679.05–679.07,  
361/679.21; D6/300, 308; D3/201, 218,  
D3/267, 290  
CPC ..... G06F 1/16; G06F 1/1601; G06F 3/037;  
G06F 1/162; G06F 1/1613; G06F  
1/133308; G06F 1/1616; G06F 1/1652;  
F16M 11/02; F16M 11/10; F16M 11/00;  
F16M 11/06; F16M 11/18; F16M 11/045;  
F16M 11/105; F16M 11/041; F16M

(Continued)

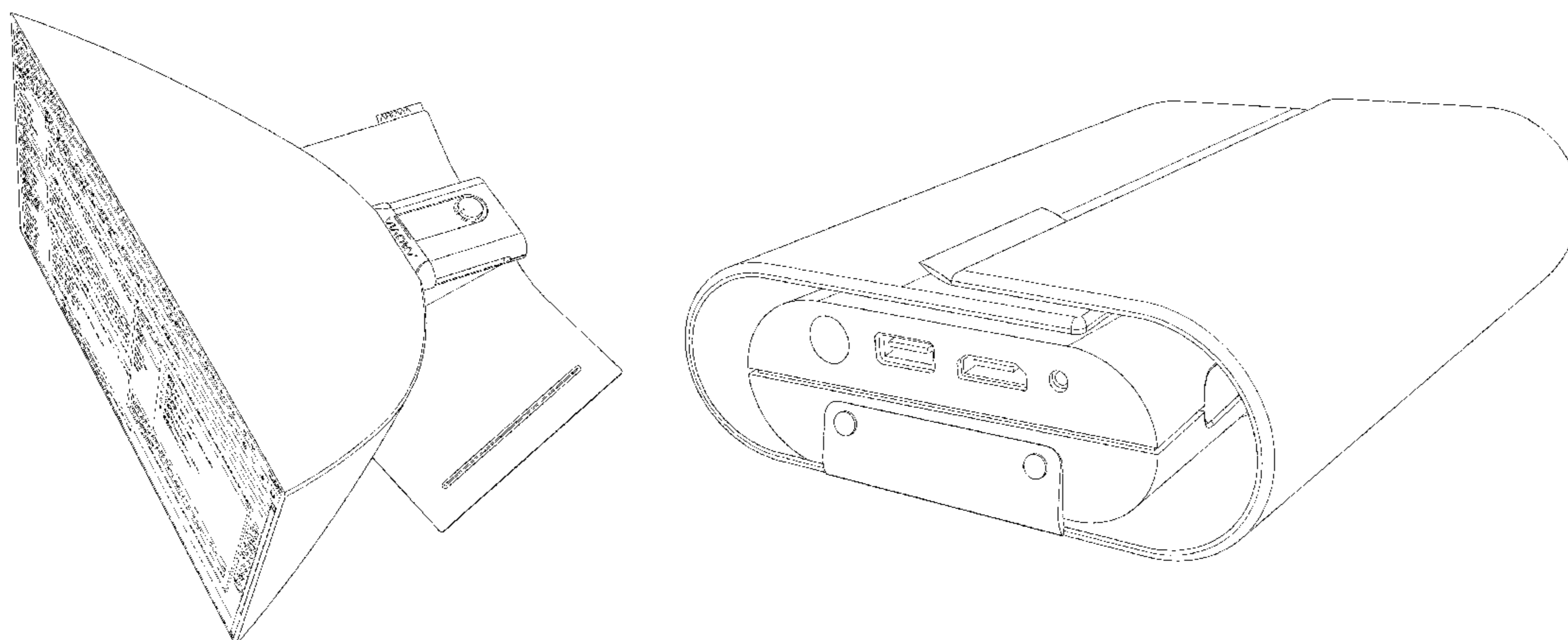


FIG. 12 is a side perspective view of the screen closed (not depicted) and cover closed thereof.

**1 Claim, 12 Drawing Sheets**

(56)

**References Cited**

U.S. PATENT DOCUMENTS

D626,342 S *	11/2010	Chadwick .....	D14/371
8,229,522 B2 *	7/2012	Kim .....	H04M 1/0216
			361/679.06
8,385,055 B2 *	2/2013	Kao .....	G06F 1/1616
			349/56
8,605,421 B2 *	12/2013	Verschoor .....	G06F 1/1652
			361/679.21
2010/0201604 A1 *	8/2010	Kee .....	G06F 1/1616
			345/1.3
2014/0213324 A1 *	7/2014	Tan .....	H04M 1/0268
			455/566
2014/0218321 A1 *	8/2014	Lee .....	G06F 1/1652
			345/173

\* cited by examiner

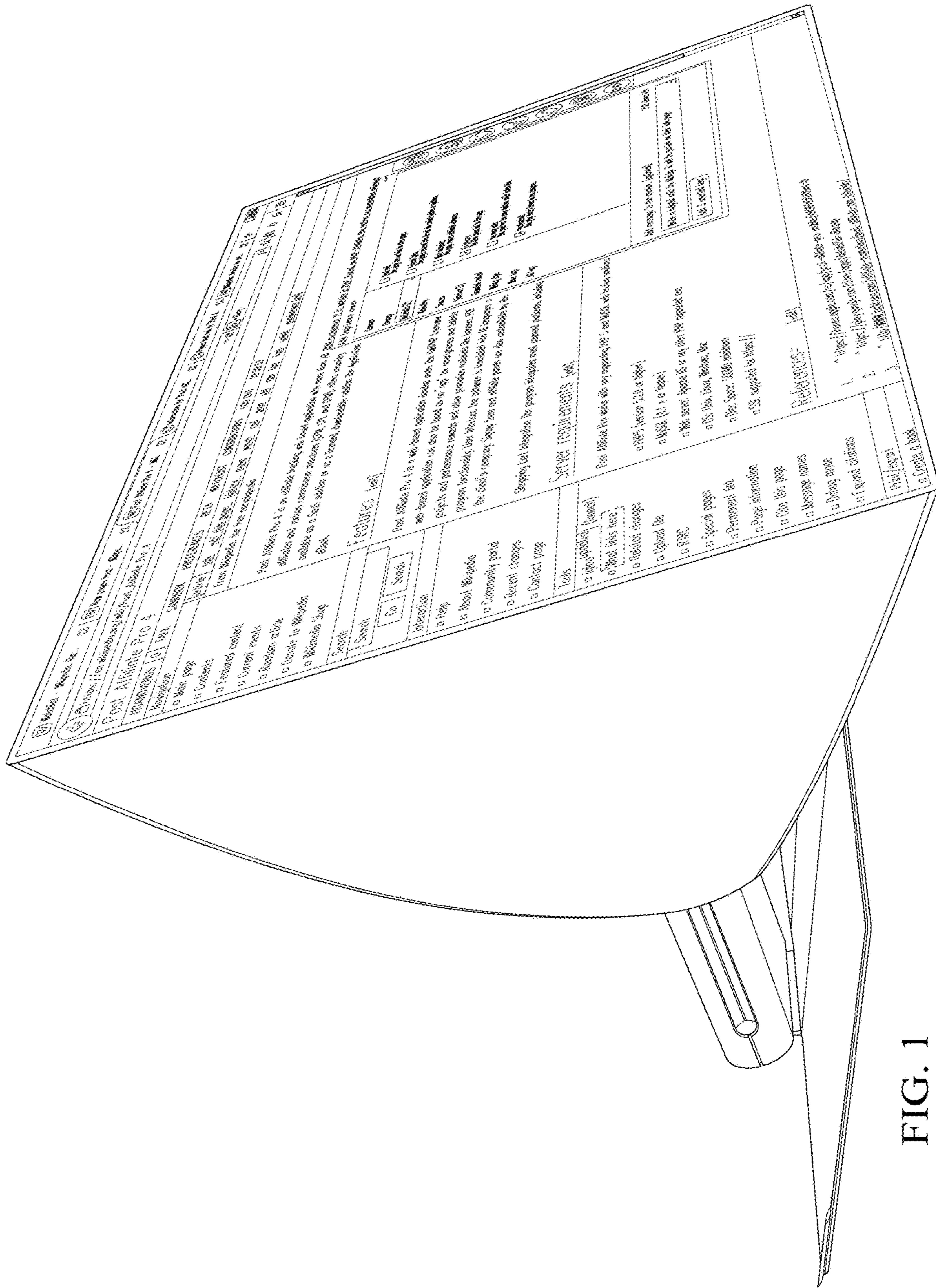


FIG. 1



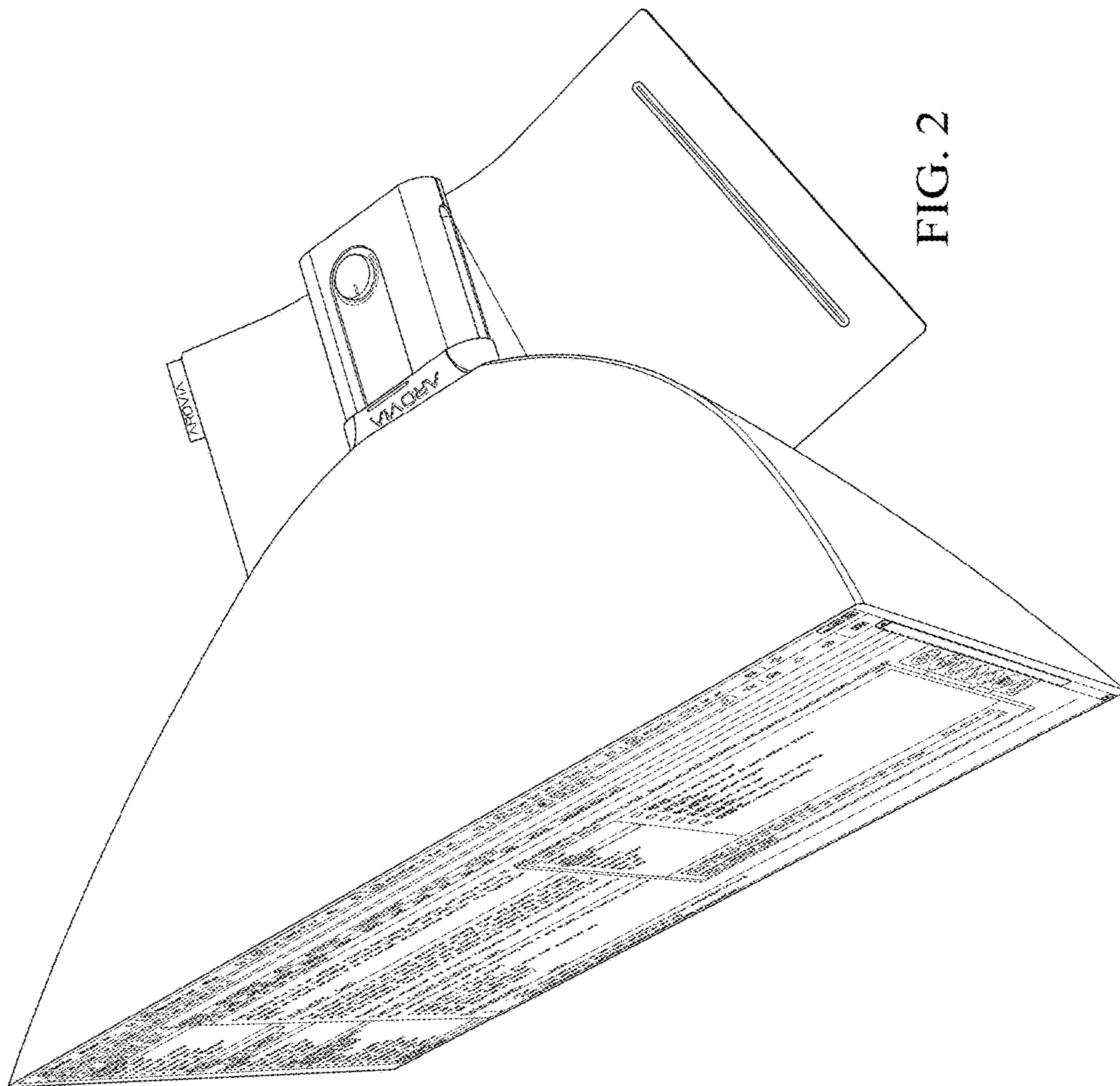


FIG. 2

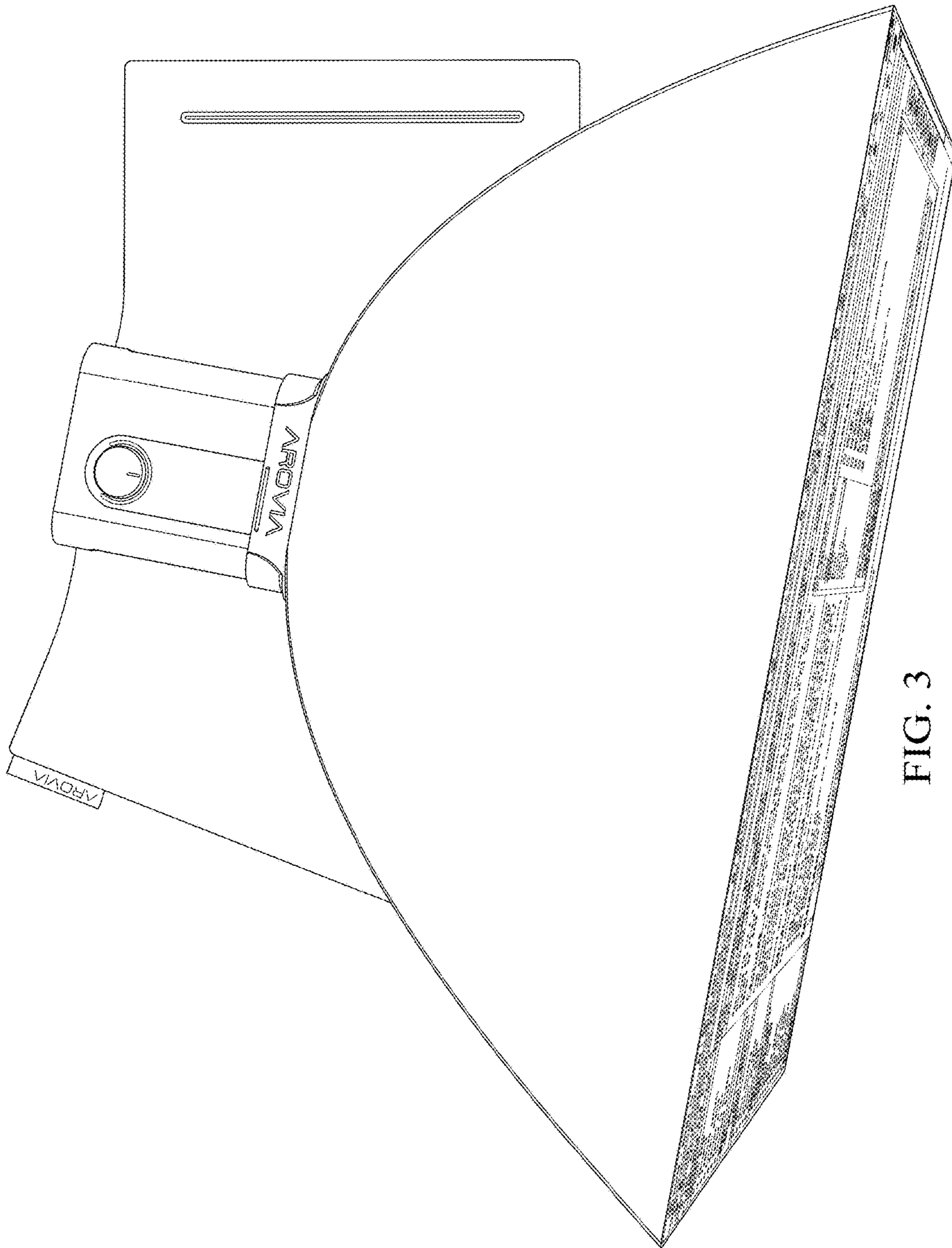


FIG. 3

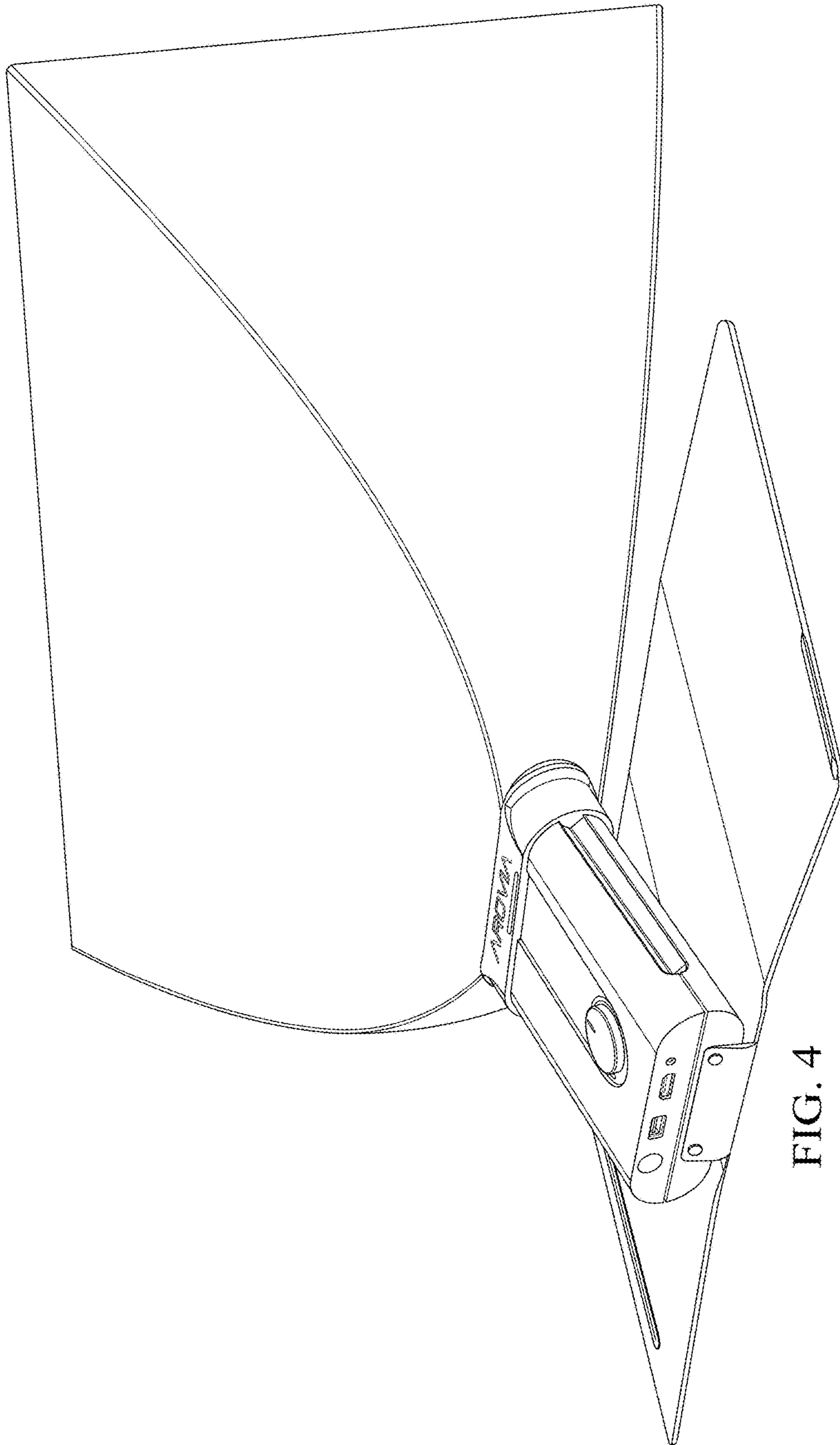


FIG. 4

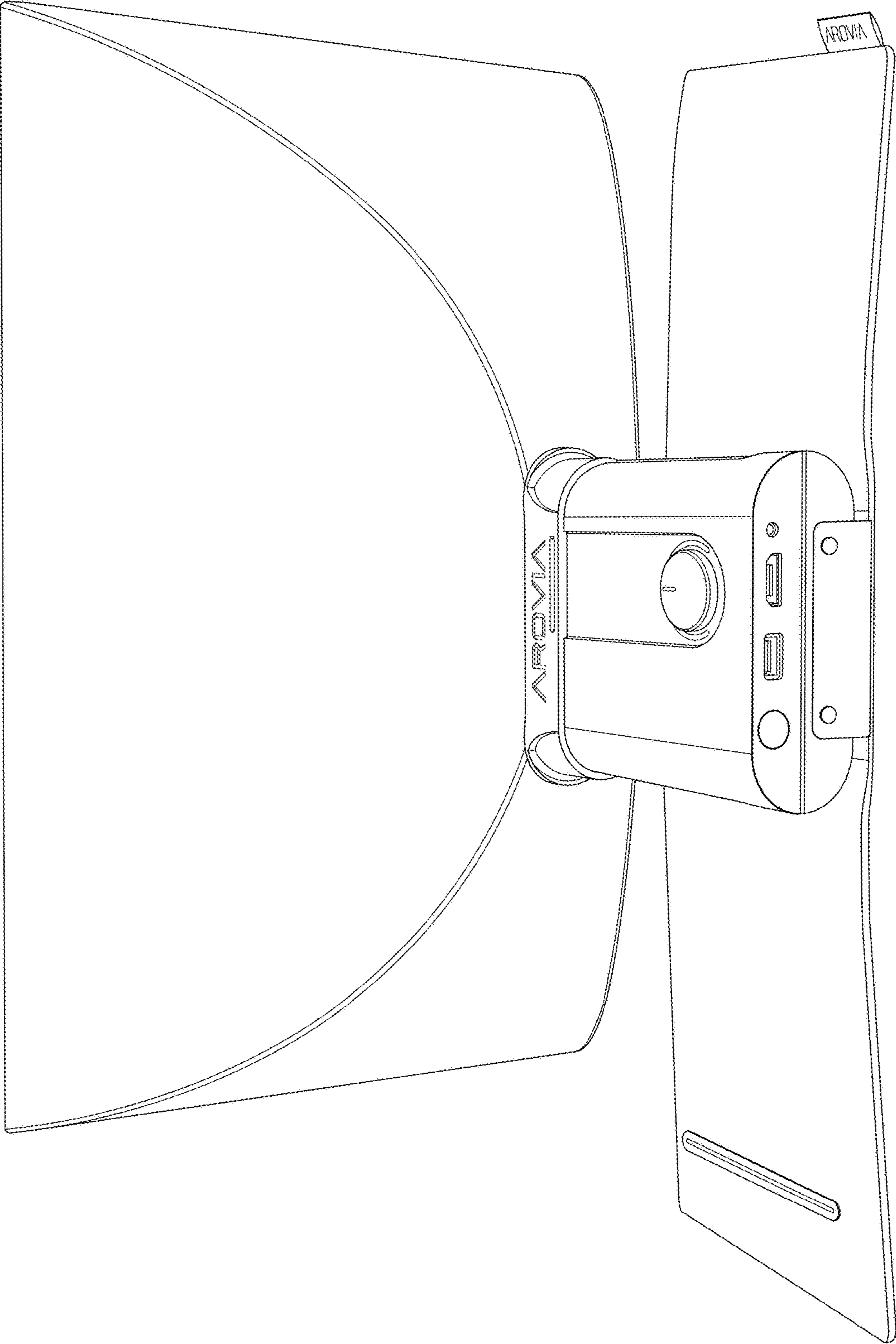


FIG. 5



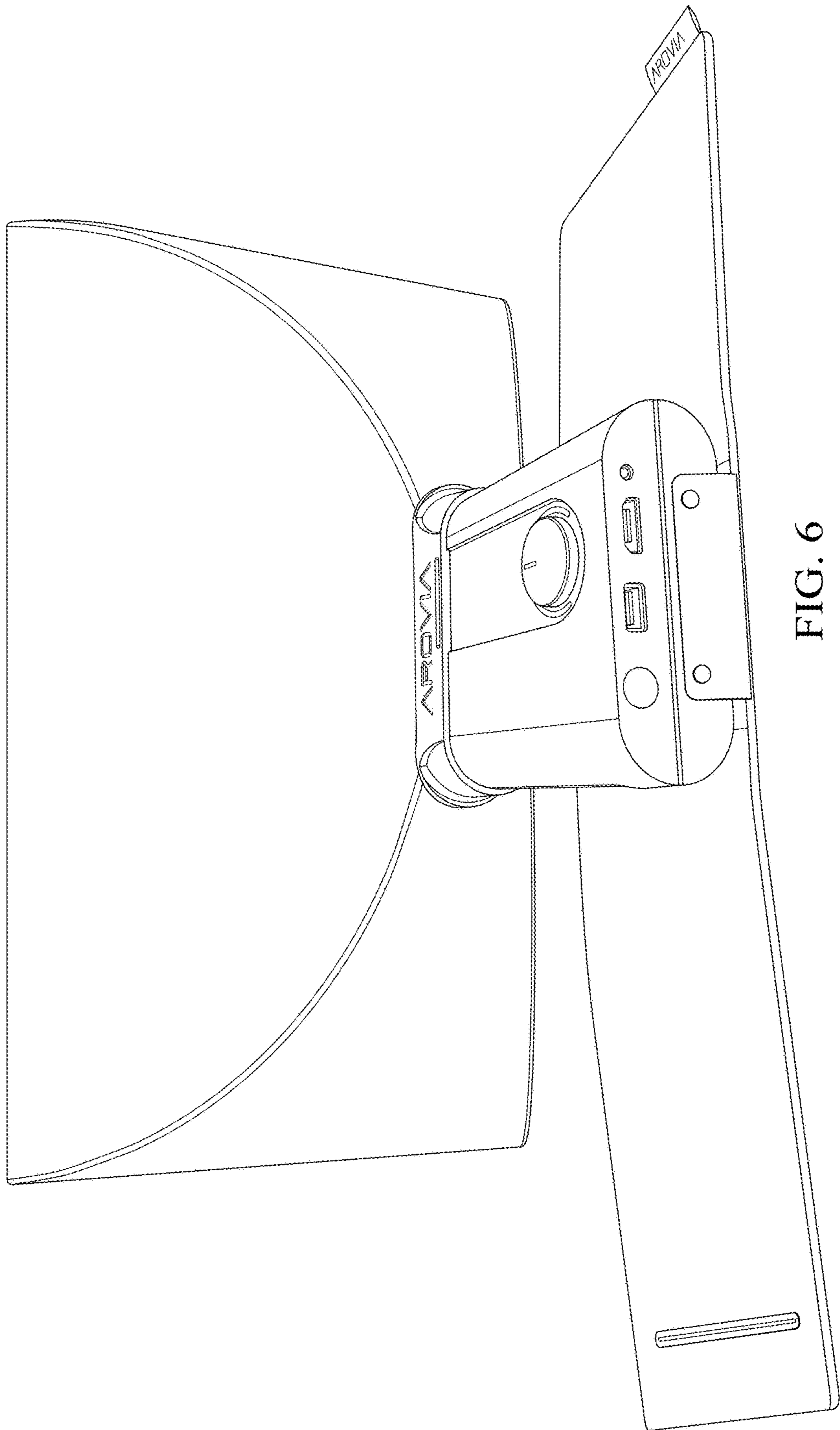


FIG. 6



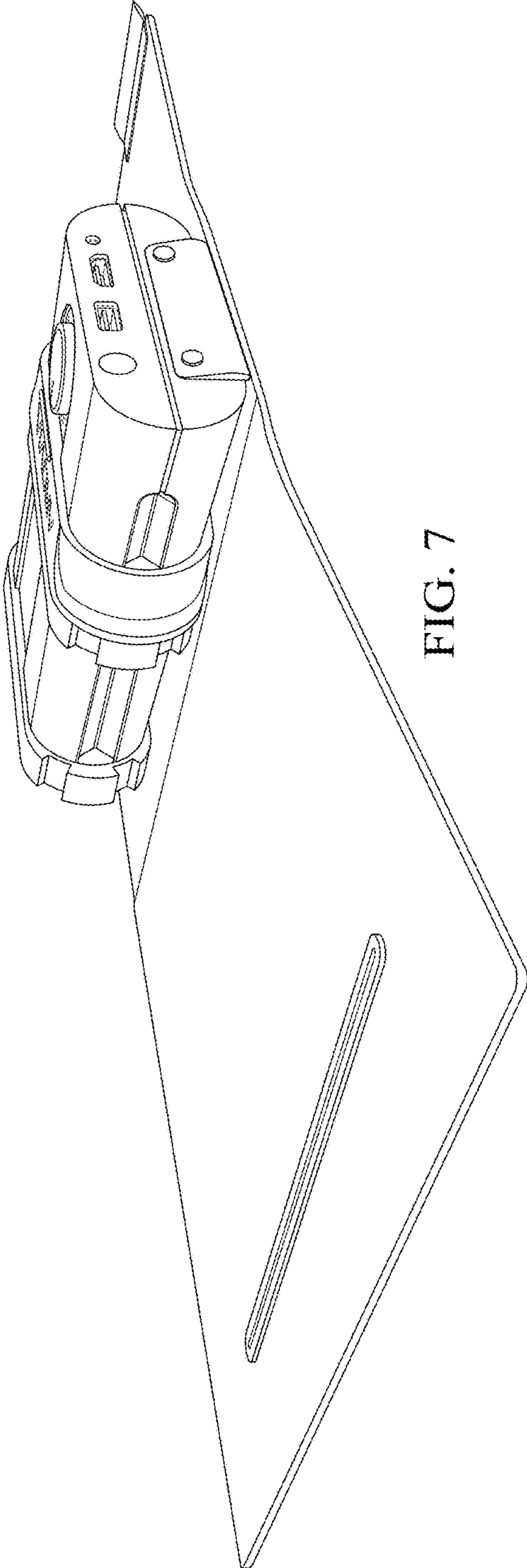


FIG. 7

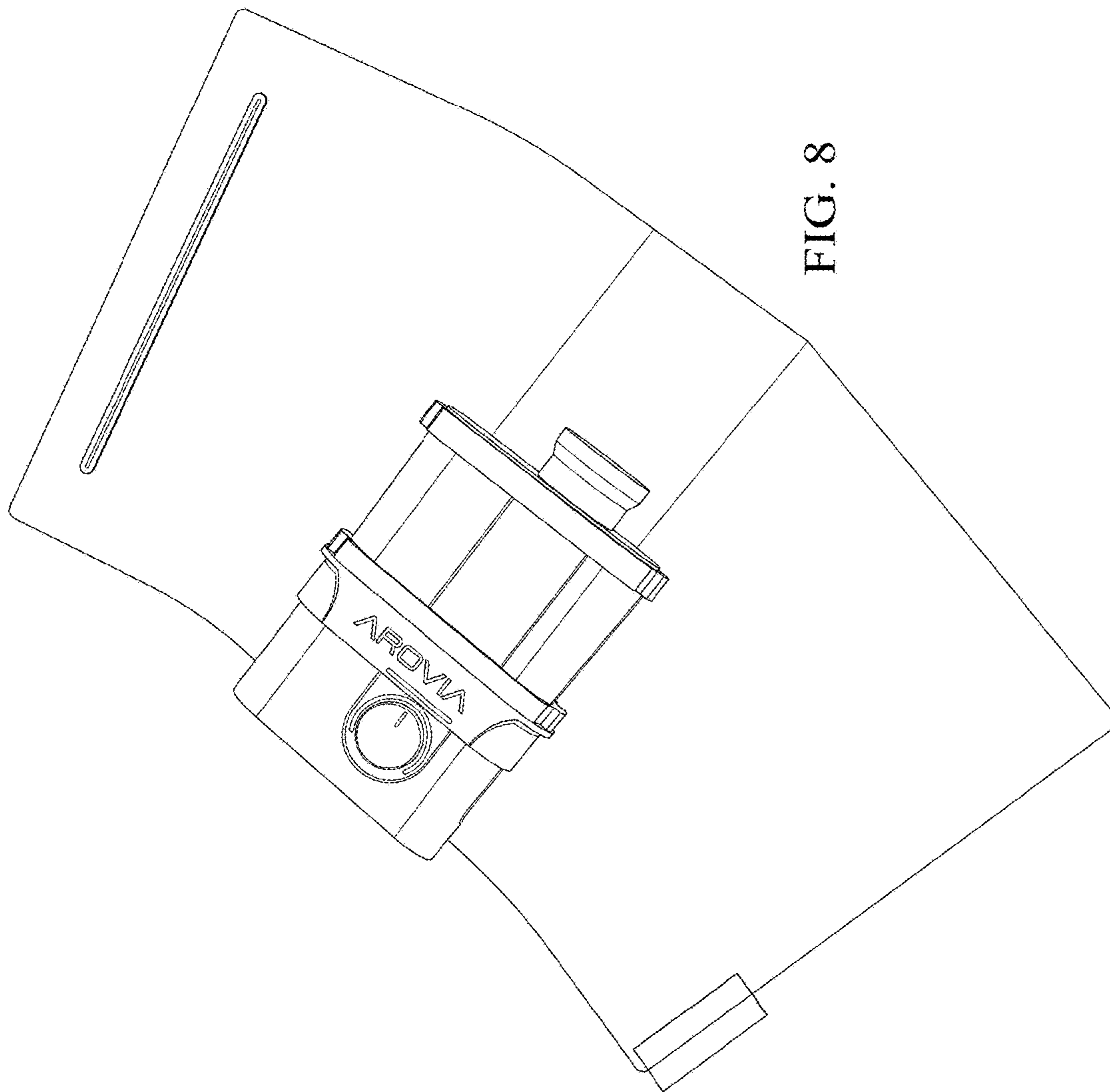


FIG. 8

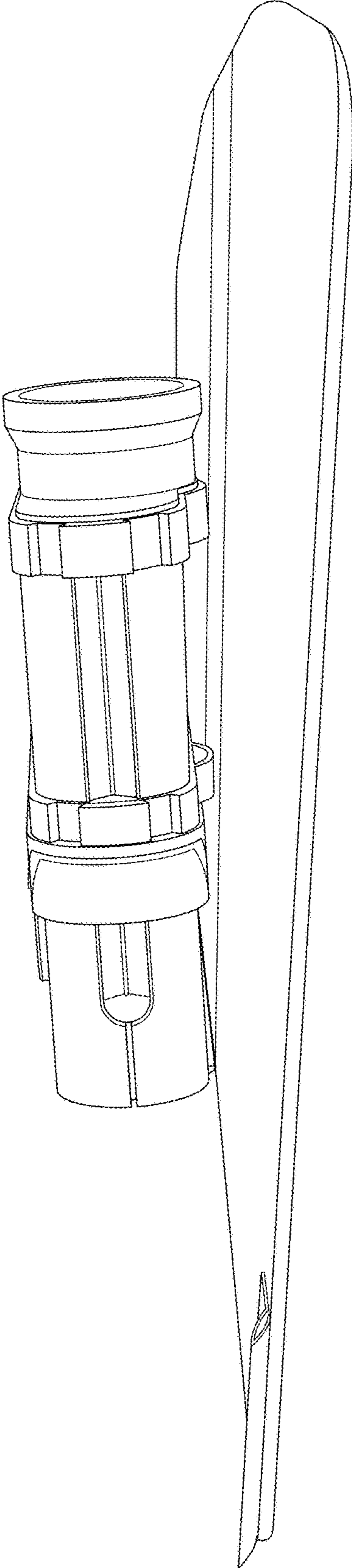


FIG. 9

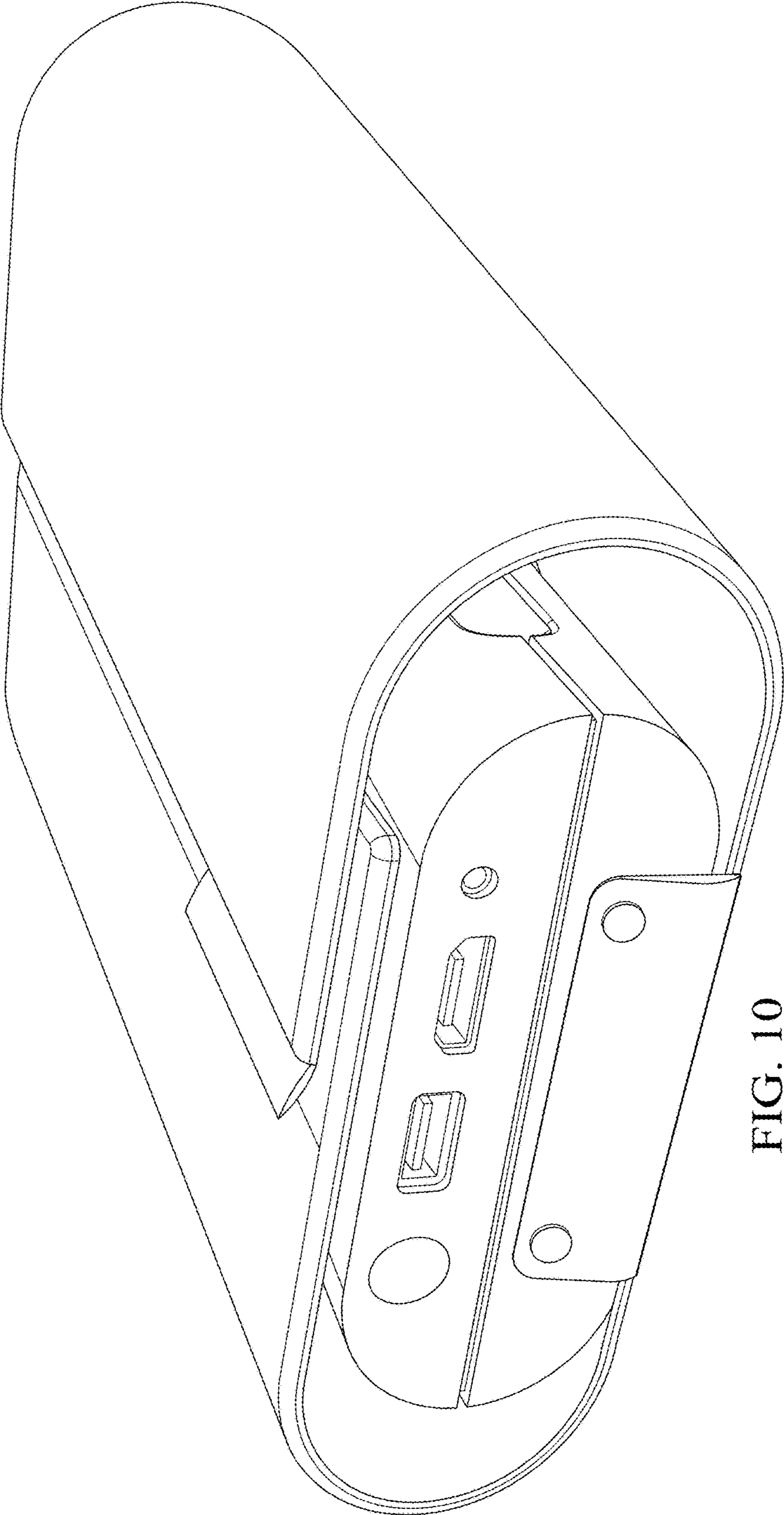


FIG. 10



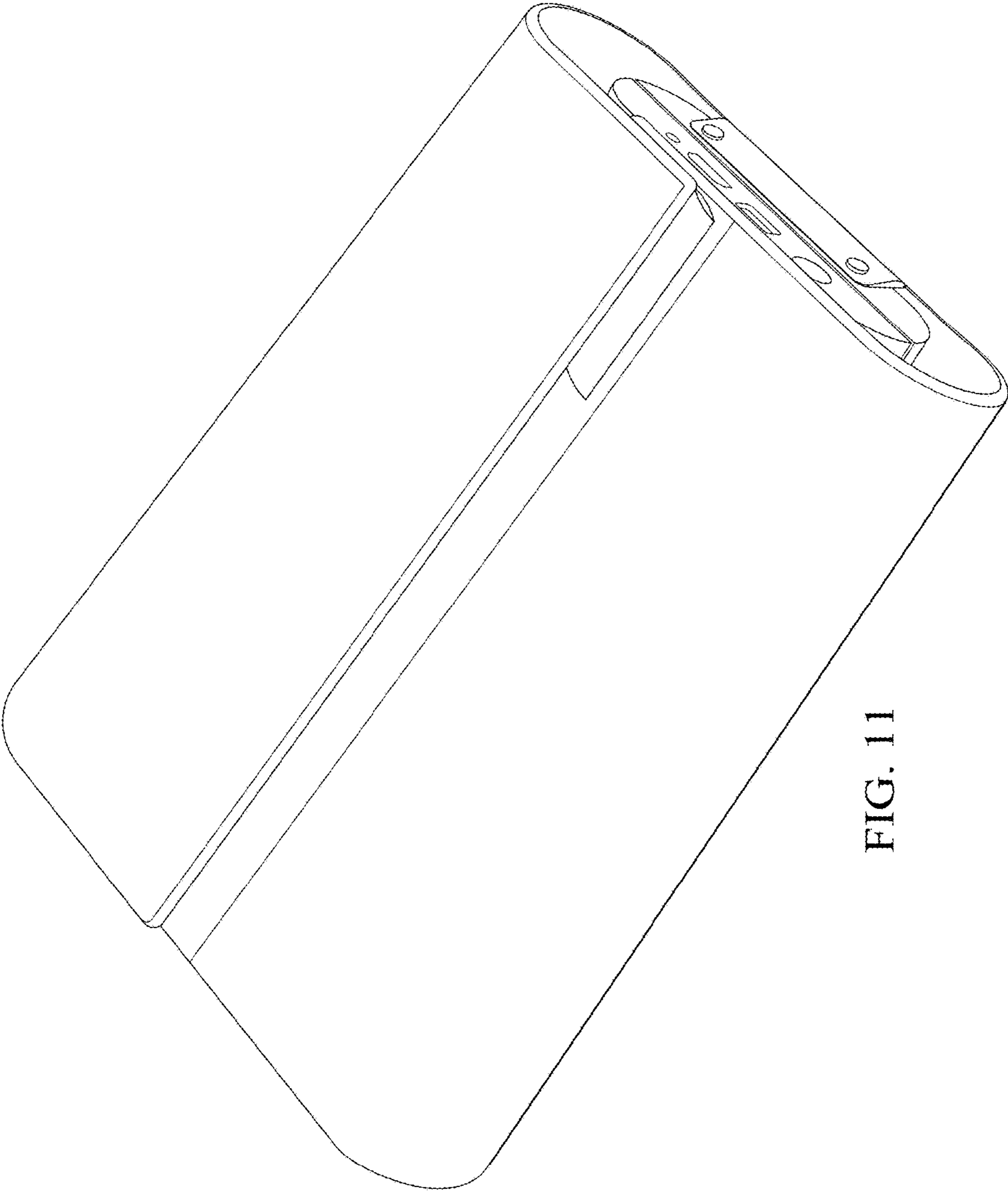


FIG. 11

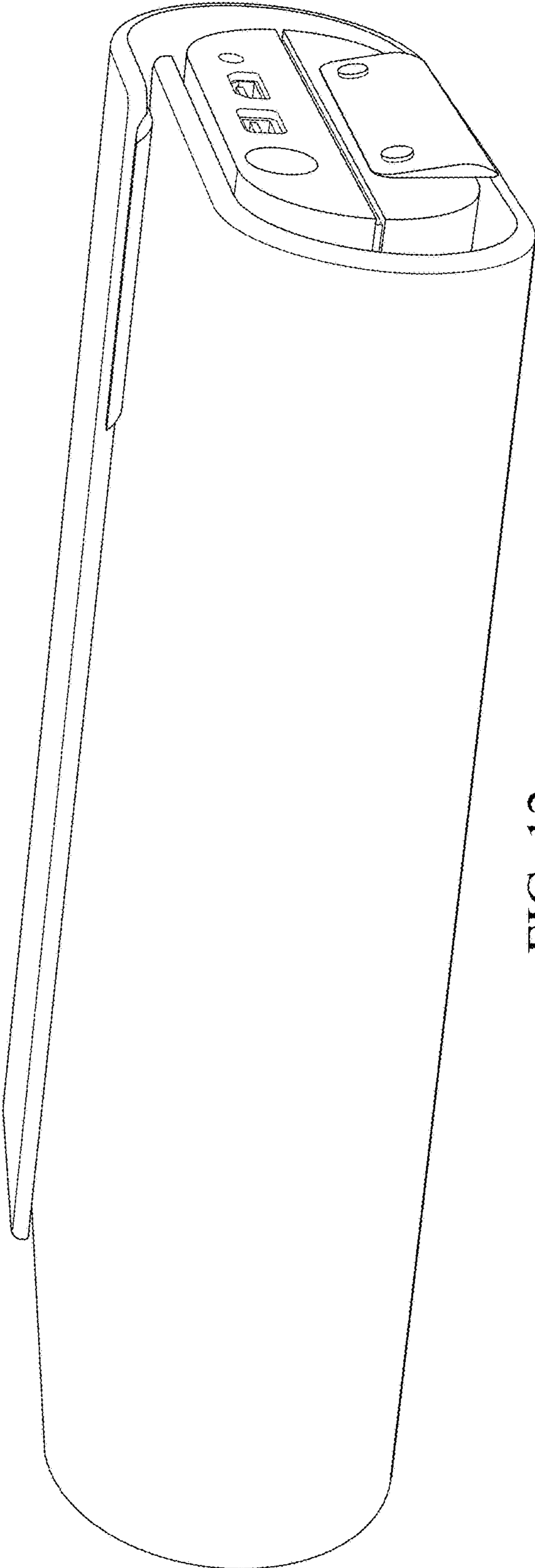


FIG. 12