



US00D812608S

(12) **United States Design Patent**  
**Jones et al.**

(10) **Patent No.:** **US D812,608 S**  
(45) **Date of Patent:** **\*\* Mar. 13, 2018**

(54) **WRIST-WORN ELECTRONIC DEVICE**

(71) Applicant: **SAMSUNG ELECTRONICS CO., LTD.**, Suwon-si (KR)

(72) Inventors: **Jeff Jones**, San Francisco, CA (US);  
**Howard Nuk**, San Francisco, CA (US);  
**Seounghyun Son**, San Francisco, CA (US);  
**Jinseok Hwang**, Walnut Creek, CA (US)

(73) Assignee: **Samsung Electronics Co., Ltd.**, Suwon-si (KR)

(\*\*) Term: **15 Years**

(21) Appl. No.: **29/560,254**

(22) Filed: **Apr. 5, 2016**

(51) **LOC (11) Cl.** ..... **14-02**

(52) **U.S. Cl.**  
USPC ..... **D14/344**

(58) **Field of Classification Search**  
USPC ..... D14/344; D2/623, 626, 639, 878;  
D8/88, 356; D10/30-39, 70, 98; D11/3,  
D11/87, 93-94, 200, 201, 210, 216, 218,  
D11/221, 230-231; D14/138 R, 144,  
D14/358; D24/167, 169, 186-187  
CPC ..... G06F 1/163; G06F 1/1628; G06F 1/1626;  
G06F 1/1635; G06F 1/08; G06F 1/10;  
G06F 1/04; G06F 1/14; G06F 1/3203;  
A41D 1/002; H04M 1/02; H04M 1/03;  
H04M 1/04; H04M 1/05; H04M 1/667;  
H04M 1/6058; Y02B 60/1217; H04B  
1/385; H04B 1/3888; H04B 1/3833;  
A44C 5/00

See application file for complete search history.

(56) **References Cited**

**U.S. PATENT DOCUMENTS**

D457,814 S \* 5/2002 Bodino ..... D10/14  
D555,028 S \* 11/2007 Highfill ..... D11/3  
D558,198 S \* 12/2007 Blankenship ..... D11/2

D568,768 S \* 5/2008 Tang ..... D10/30  
D583,815 S \* 12/2008 Giovannoni ..... D11/3  
D714,179 S \* 9/2014 Park ..... D11/3  
D715,668 S \* 10/2014 Roush ..... D10/70  
D720,248 S \* 12/2014 Law ..... D11/3  
D724,453 S \* 3/2015 Ogihara ..... D10/70  
D729,648 S \* 5/2015 Phillips ..... D10/103  
D730,347 S \* 5/2015 Jung ..... D14/344

(Continued)

**FOREIGN PATENT DOCUMENTS**

CN 201430312042 2/2015  
CN 201530369637.3 1/2016

**OTHER PUBLICATIONS**

Pandawares Technology Co., Ltd., [2016] Aliexpress.com. Apr. 5, 2016, <<http://www.aliexpress.com/item/JW018-Smart-Wristbands-Heart-Rate-Touch-Bracelet-Bluetooth-Passometer-Sports-Fitness-Tracker-for-iPhone-Andriod-Phone/32619873879.html?spm=2114.01010208.8.43.uxOzYr>>.

*Primary Examiner* — Barbara Fox  
*Assistant Examiner* — Kristin E Reed  
(74) *Attorney, Agent, or Firm* — NSIP Law

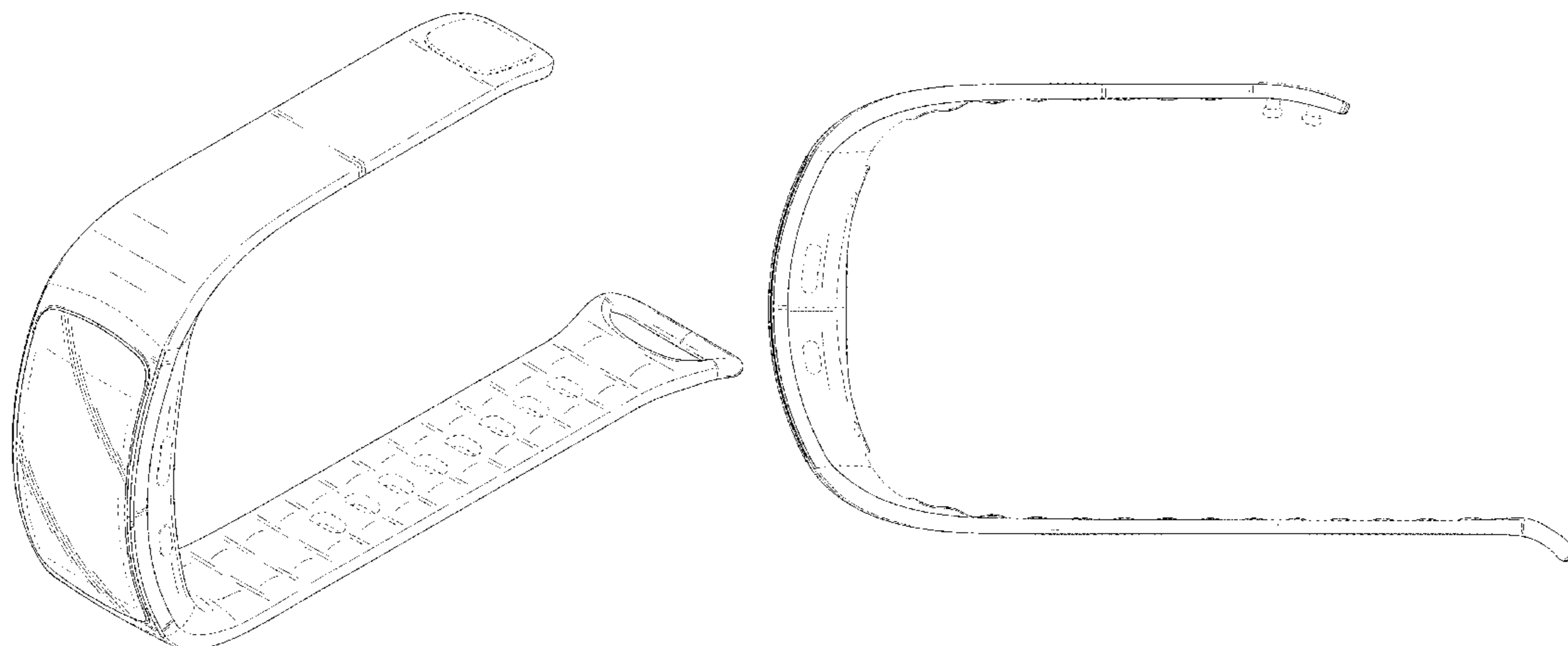
(57) **CLAIM**

We claim the ornamental design for a wrist-worn electronic device, as shown and described.

**DESCRIPTION**

FIG. 1 is a front perspective view of a wrist-worn electronic device showing our new design;  
FIG. 2 is a front view thereof;  
FIG. 3 is a rear view thereof;  
FIG. 4 is a left-side view thereof;  
FIG. 5 is a right-side view thereof;  
FIG. 6 is a top plan view thereof;  
FIG. 7 is a bottom plan view thereof; and,  
FIG. 8 is a rear-bottom perspective view thereof.

(Continued)



The broken lines in the drawings illustrate portions of the wrist-worn electronic device that form no part of the claimed design.

**1 Claim, 6 Drawing Sheets**

(56) **References Cited**

U.S. PATENT DOCUMENTS

D738,878	S	*	9/2015	Lee	.....	D10/104.2
D742,875	S	*	11/2015	Ji	.....	D10/32
D747,714	S	*	1/2016	Erbeus	.....	D10/32
D751,069	S	*	3/2016	Choi	.....	D10/32
D751,549	S	*	3/2016	Park	.....	D10/38
D752,063	S	*	3/2016	Nuovo	.....	D14/485
D753,108	S	*	4/2016	Kuwabara	.....	D11/26
D755,176	S	*	5/2016	Jung	.....	D14/344
D757,583	S	*	5/2016	Roush	.....	D10/70
2014/0218852	A1	*	8/2014	Alcazar	.....	G06F 1/163 361/679.03

\* cited by examiner

FIG. 1

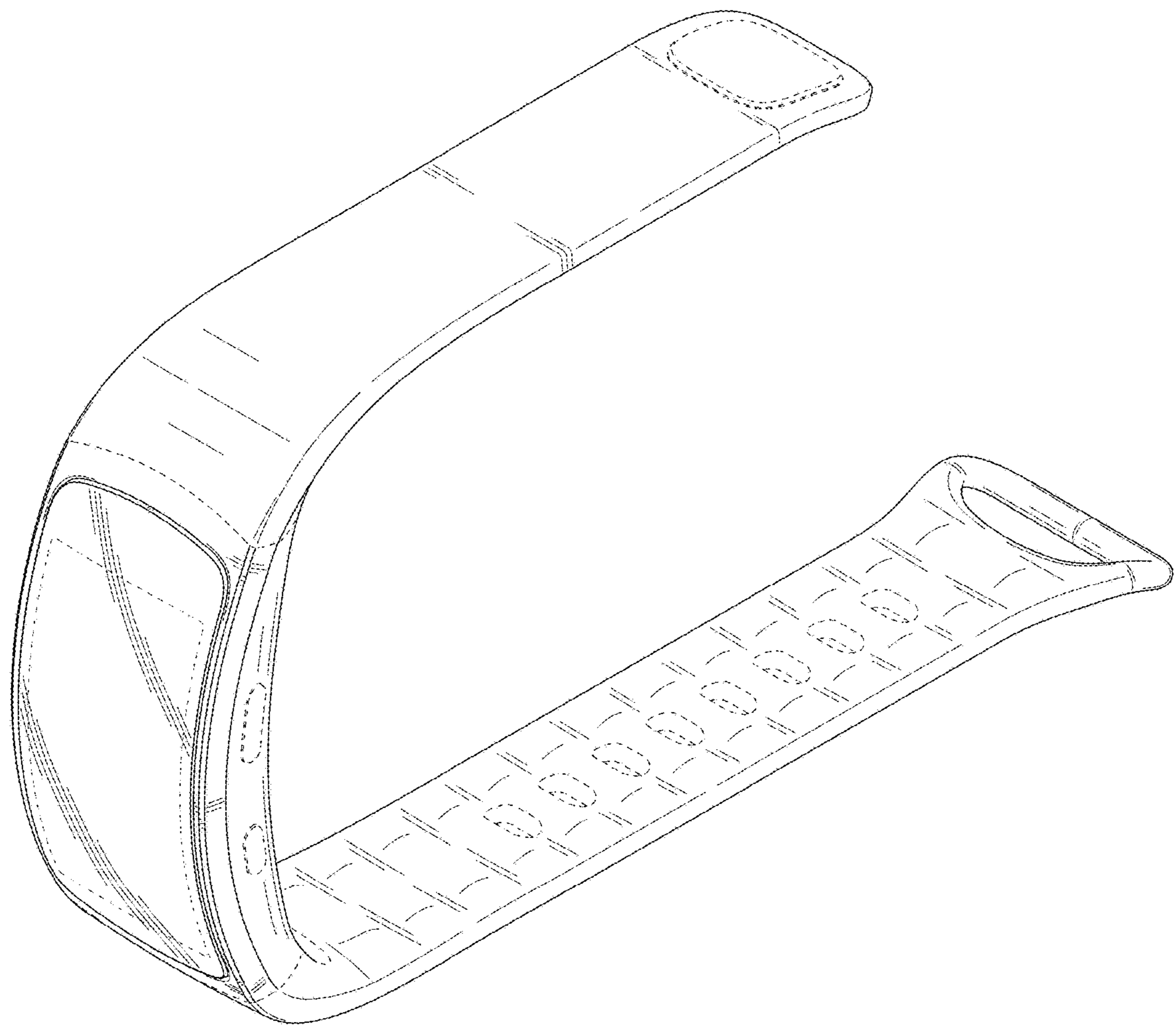


FIG. 2

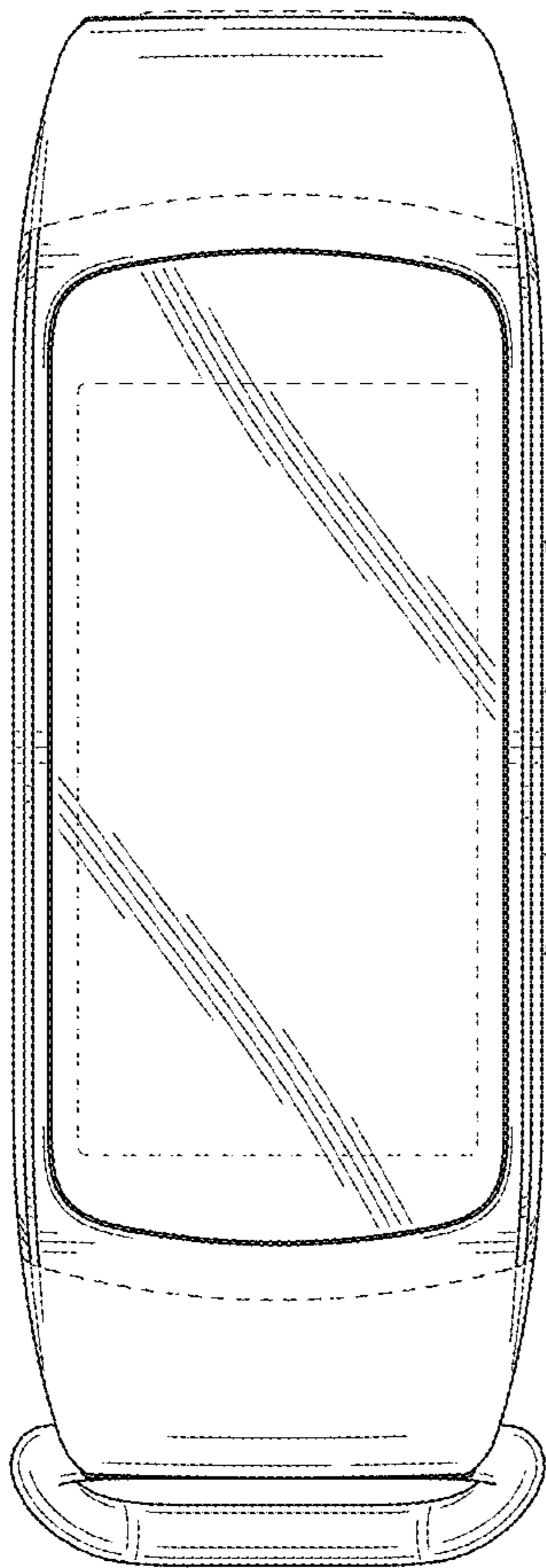


FIG. 3

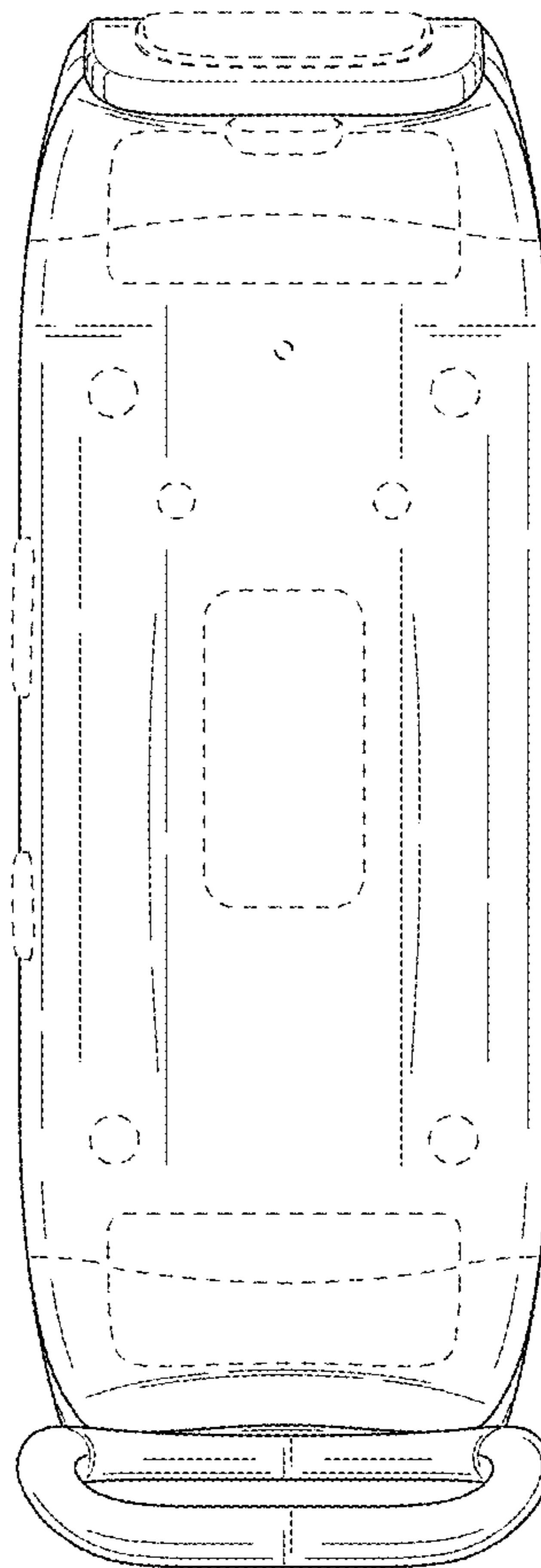


FIG. 4

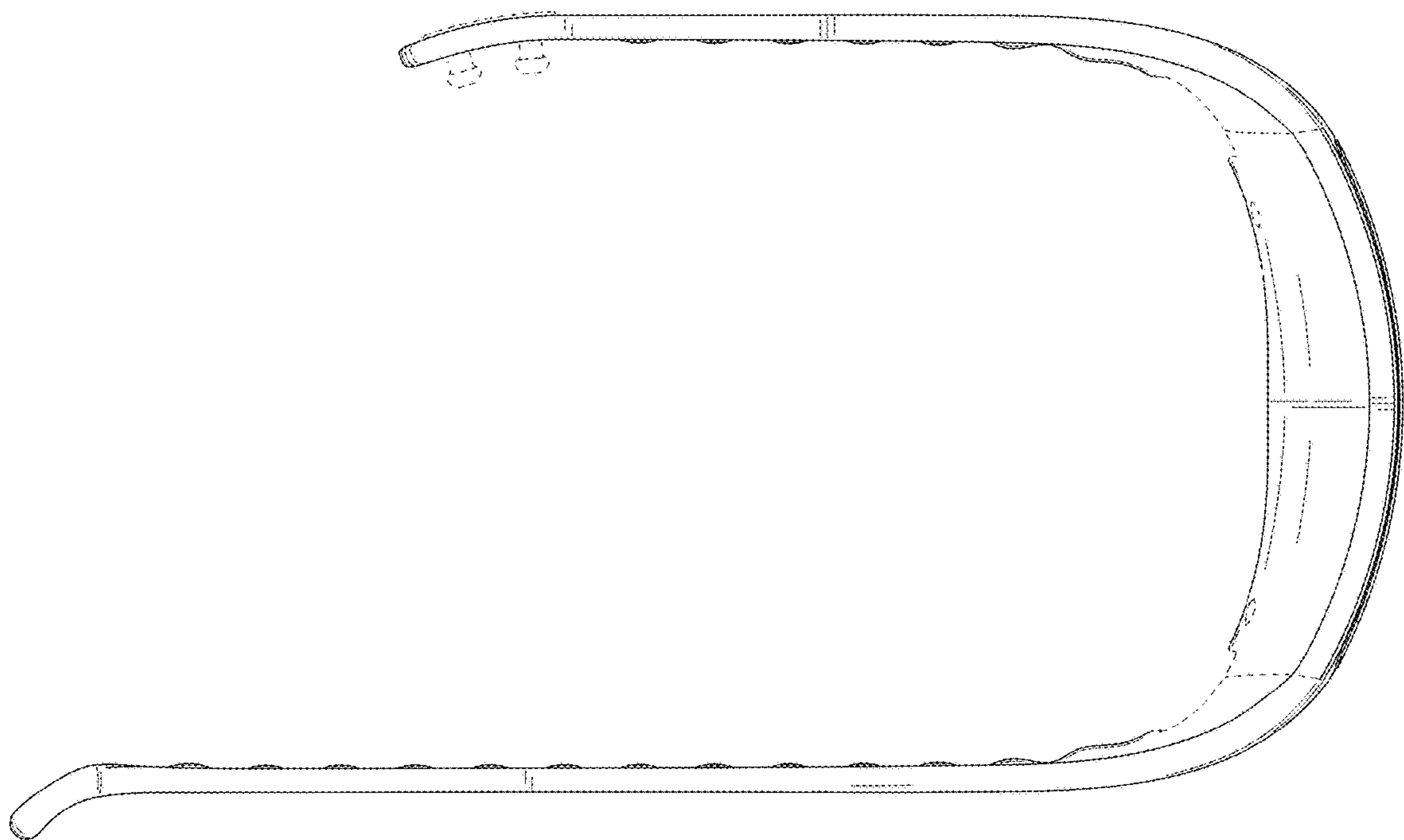


FIG. 5

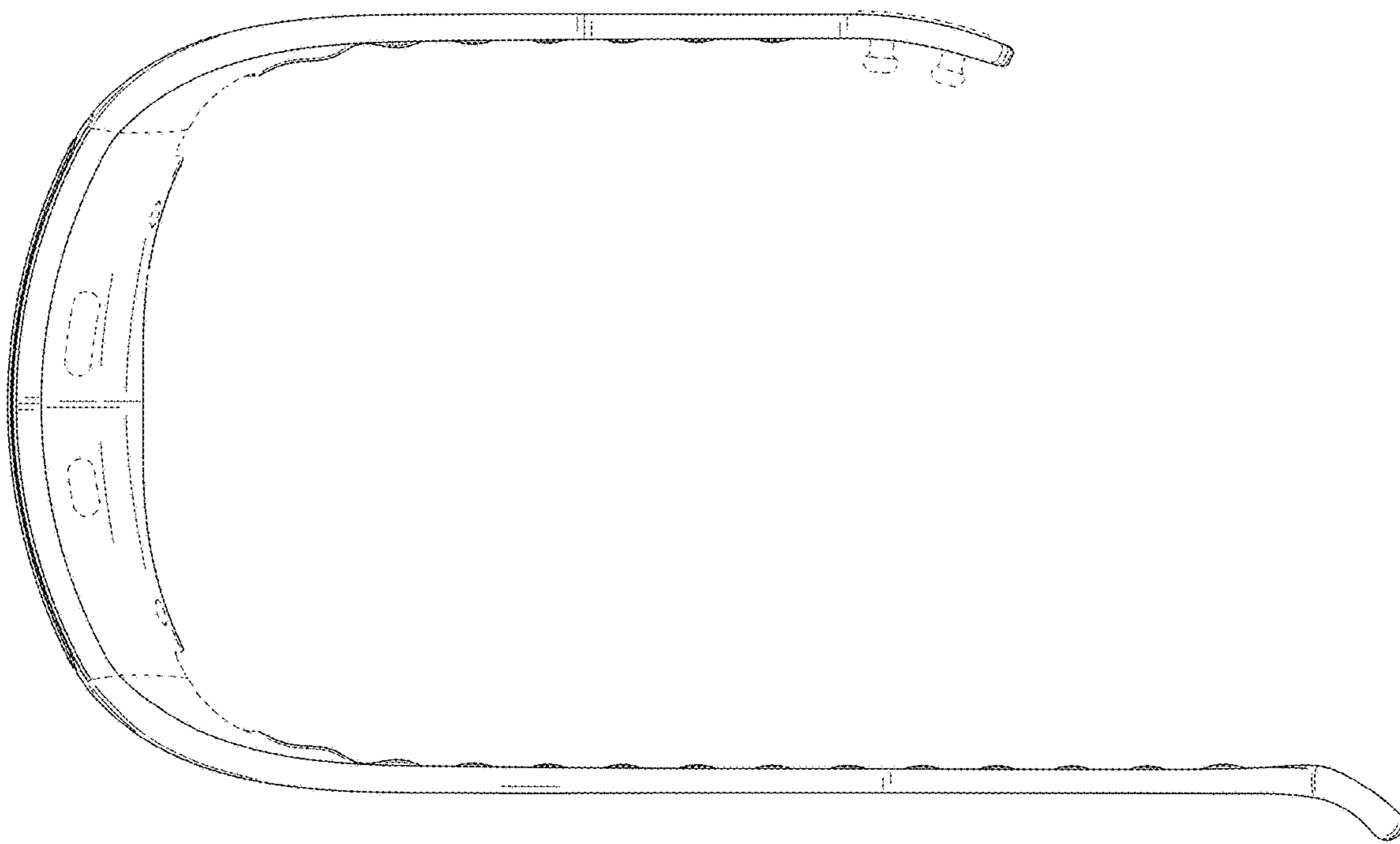


FIG. 6

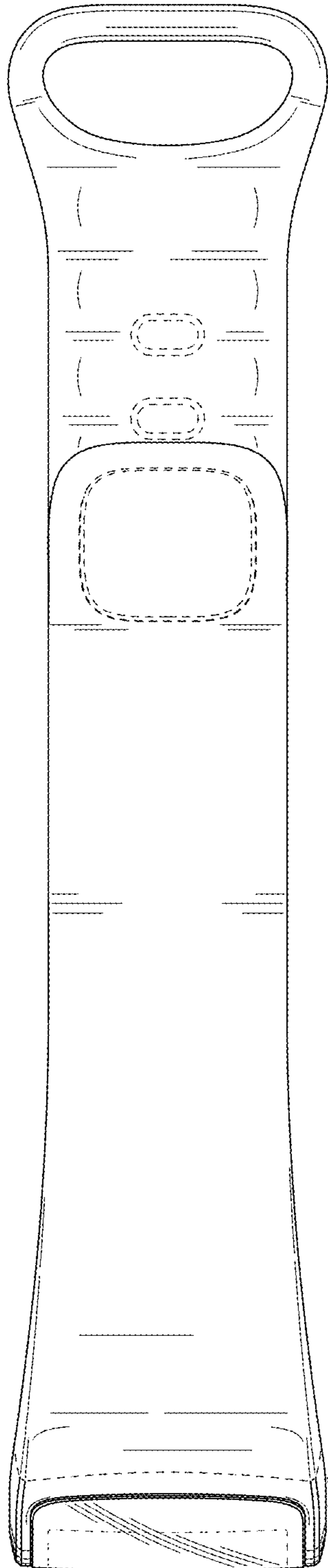


FIG. 7

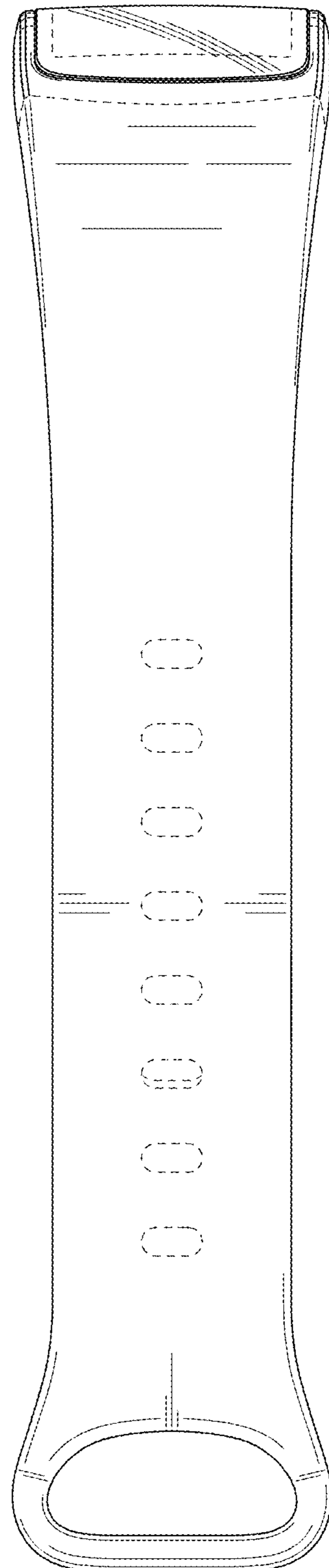


FIG. 8

