



US00D812607S

(12) **United States Design Patent**
Mistry et al.

(10) **Patent No.:** **US D812,607 S**
(45) **Date of Patent:** **** Mar. 13, 2018**

- (54) **ELECTRONIC DEVICE**
- (71) Applicant: **SAMSUNG ELECTRONICS CO., LTD.**, Suwon-si (KR)
- (72) Inventors: **Pranav Mistry**, Campbell, CA (US);
Curtis D. Aumiller, San Jose, CA (US);
Chengyuan Wei, Sunnyvale, CA (US);
Jiawei Zhang, Sunnyvale, CA (US)
- (73) Assignee: **SAMSUNG ELECTRONICS CO., LTD.**, Suwon-Si (KR)
- (**) Term: **15 Years**
- (21) Appl. No.: **29/550,030**
- (22) Filed: **Dec. 30, 2015**
- (51) **LOC (11) Cl.** **14-02**
- (52) **U.S. Cl.**
USPC **D14/344**
- (58) **Field of Classification Search**
USPC D14/344, 138 R, 144, 358; D24/167,
D24/169, 186-187; D11/3, 93-94;
D10/30-39, 70, 98; 379/433.1;
361/679.03
CPC G06F 1/163; G06F 1/1628; G06F 1/1626;
G06F 1/1635; G06F 1/08; G06F 1/10;
G06F 1/04; G06F 1/14; G06F 1/3203;
A41D 1/002; H04M 1/02; H04M 1/03;
H04M 1/04; H04M 1/05; H04M 1/667;
H04M 1/6058; Y02B 60/12; H04B 1/385;
H04B 1/3888; H04B 1/3833; G06Q
20/10; G06Q 20/108; G06Q 20/12; G06Q
20/145
See application file for complete search history.

(56) **References Cited**
U.S. PATENT DOCUMENTS

- D224,913 S * 10/1972 Maroni D10/32
- D362,396 S * 9/1995 Chester D10/128

- D433,949 S * 11/2000 Helleu D10/30
- D508,859 S * 8/2005 Ho D10/30
- D572,610 S * 7/2008 Colombo D10/39
- D631,374 S * 1/2011 Hegi D10/38
- D631,763 S * 2/2011 Vollet D10/32
- D679,611 S * 4/2013 Chastaingt D10/36
- D709,204 S * 7/2014 Kovach D24/187

(Continued)

OTHER PUBLICATIONS

Is The Neptune Pine The Smartwatch We've All Been Waiting For?, posted Dec. 4, 2013, [retrieved Jun. 26, 2017]. Retrieved from Internet, <URL: <http://www.ohgizmo.com/2013/12/04/is-the-neptune-pine-the-smartwatch-weve-all-been-waiting-for/>>.*

(Continued)

Primary Examiner — Barbara Fox
Assistant Examiner — Kristin E Reed
(74) *Attorney, Agent, or Firm* — Sughrue Mion, PLLC

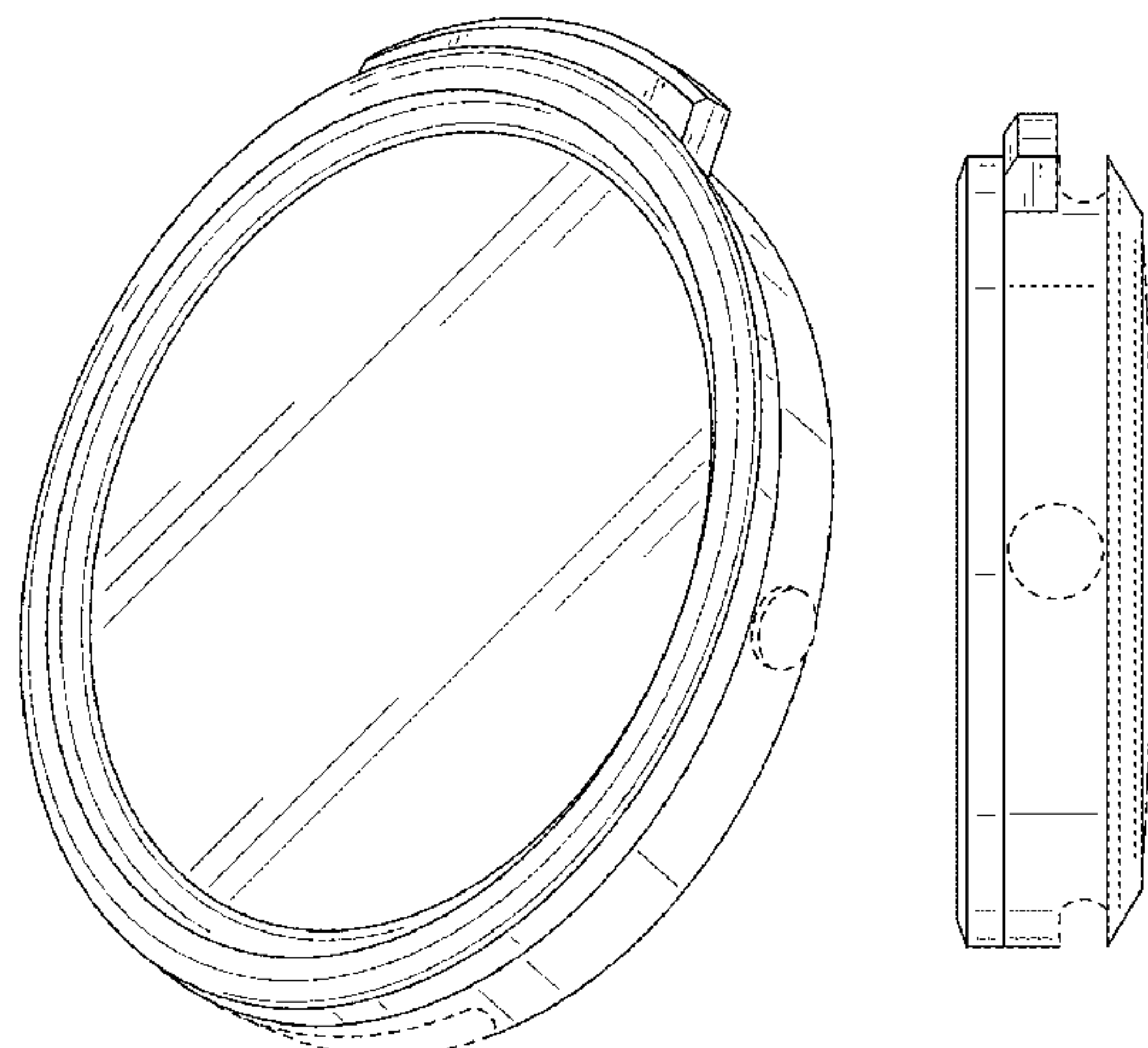
(57) **CLAIM**

The ornamental design for an electronic device, as shown and described.

DESCRIPTION

FIG. 1 is a top rear perspective view of an electronic device showing our new design;
FIG. 2 is a top view thereof;
FIG. 3 is a bottom view thereof;
FIG. 4 is a front view thereof;
FIG. 5 is a rear view thereof;
FIG. 6 is a left view thereof; and,
FIG. 7 is a right view thereof.
The features shown in dash-dash broken lines depict portions of the electronic device that form no part of the claimed design.
The dash-dot broken lines define the bounds of the claimed design and form no part thereof.

1 Claim, 5 Drawing Sheets



(56)

References Cited

U.S. PATENT DOCUMENTS

D709,875 S * 7/2014 Aumiller D14/344
D769,868 S * 10/2016 Isaacs D14/344

OTHER PUBLICATIONS

Alcatel OneTouch's new device family has a pretty tempting smartwatch, posted Sep. 4, 2014, [retrieved Jun. 24, 2017]. Retrieved from Internet, <URL: <https://www.engadget.com/2014/09/04/alcatel-hero-2-hero-8-smartwatch/> >.*

Misfit Vapor first look: Designer looks with a sporty interior, CES 2017: Misfit's first proper smartwatch goes big on style , posted Jan. 5, 2017, [retrieved Jun. 26, 2017]. Retrieved from Internet, <URL: <https://www.wearable.com/misfit/misfit-vapor-review> >.*

* cited by examiner

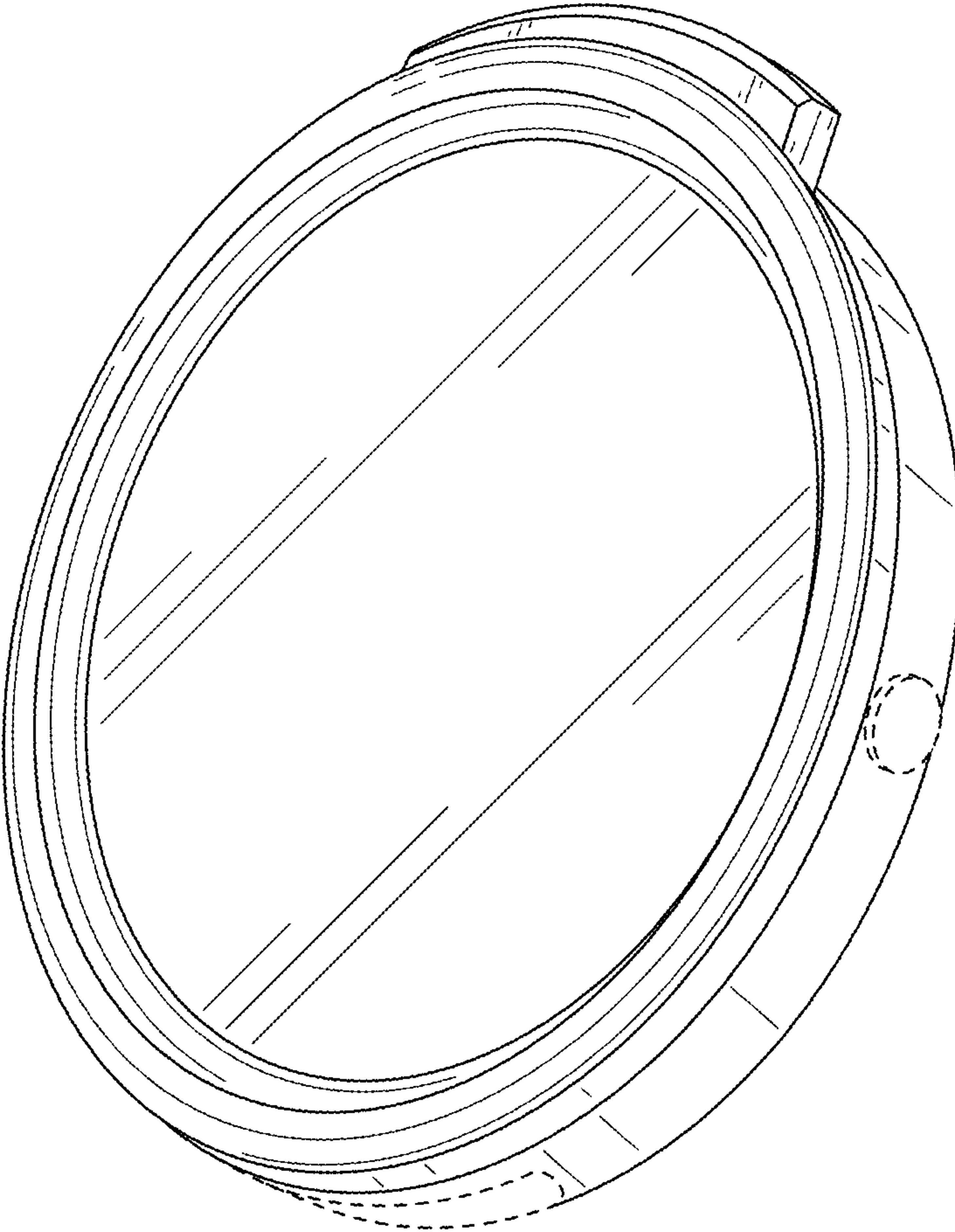


FIG. 1

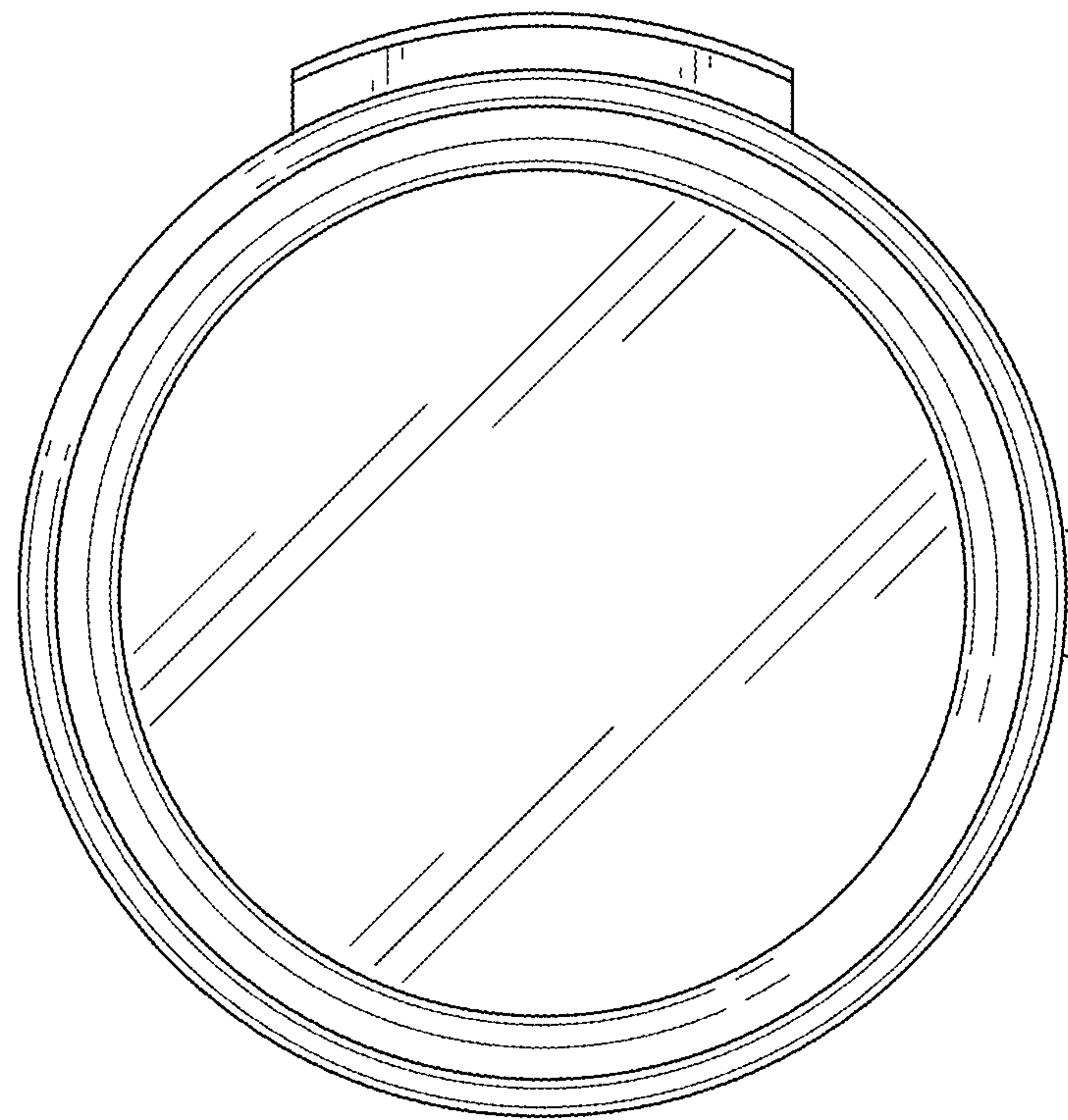


FIG. 2

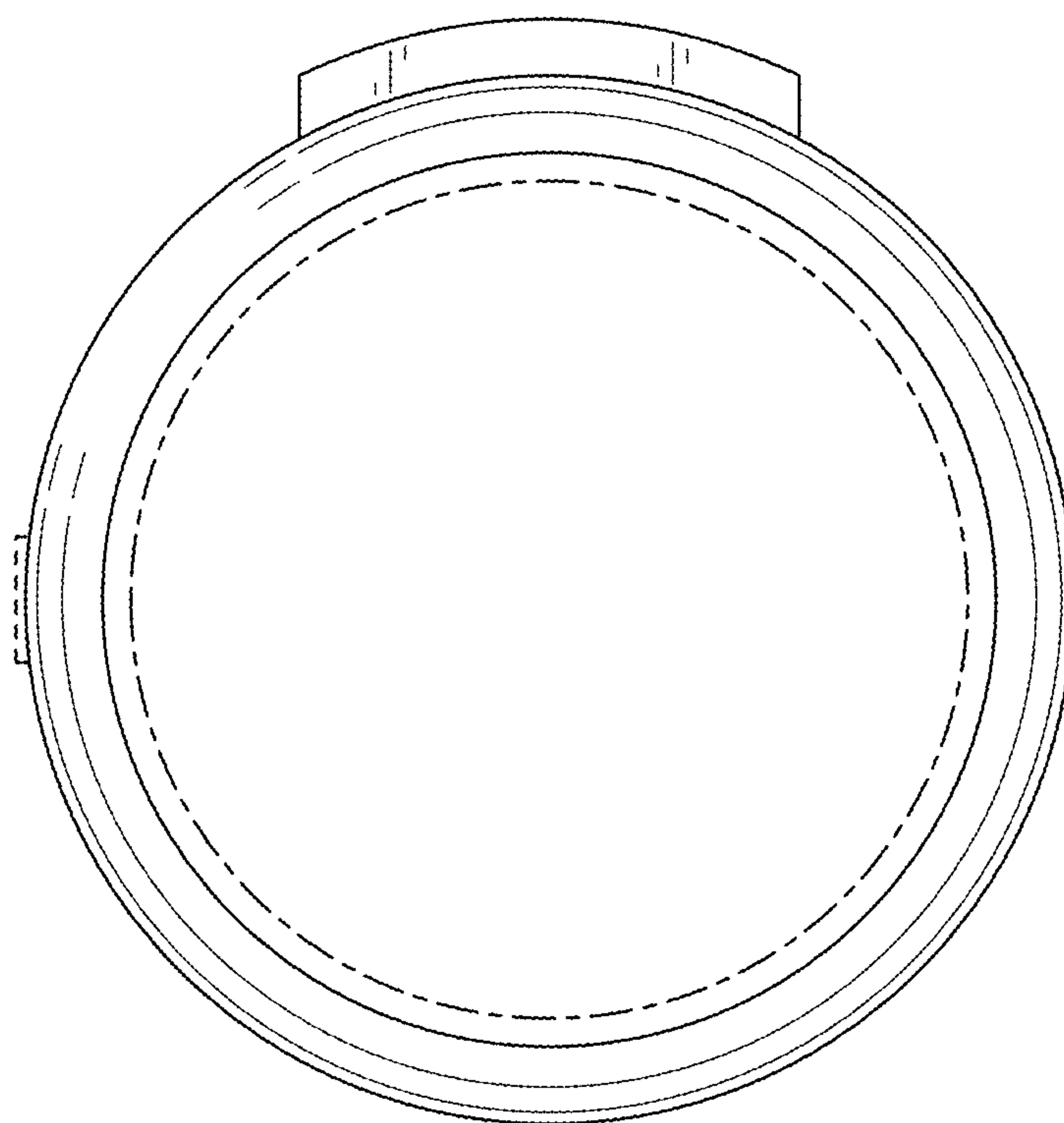


FIG. 3

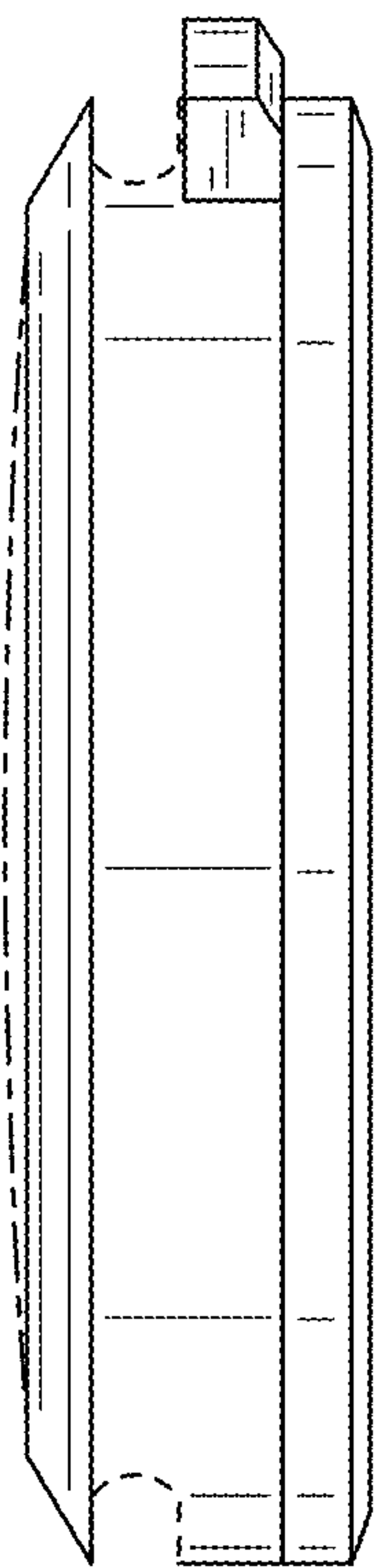


FIG. 4

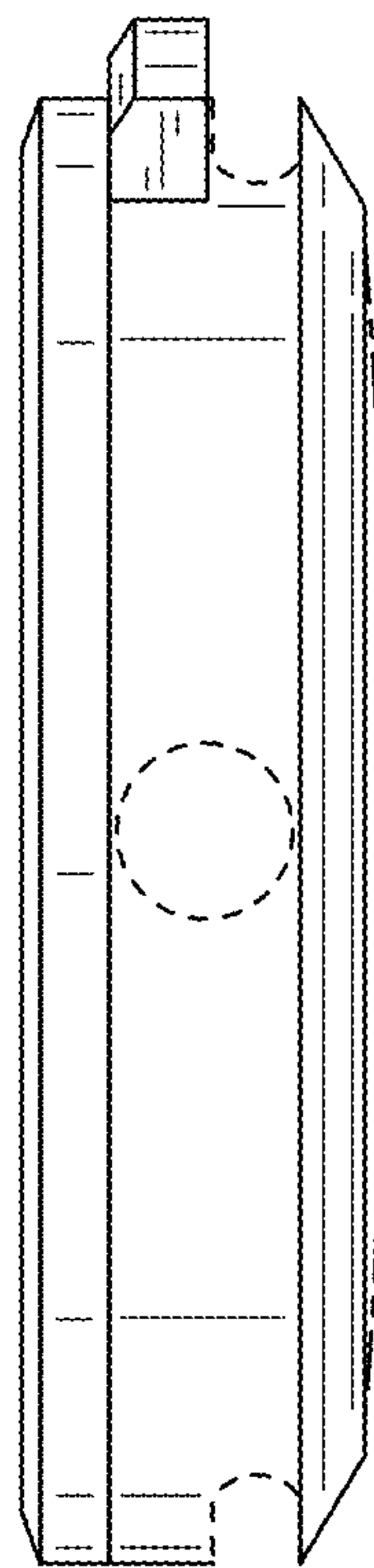


FIG. 5

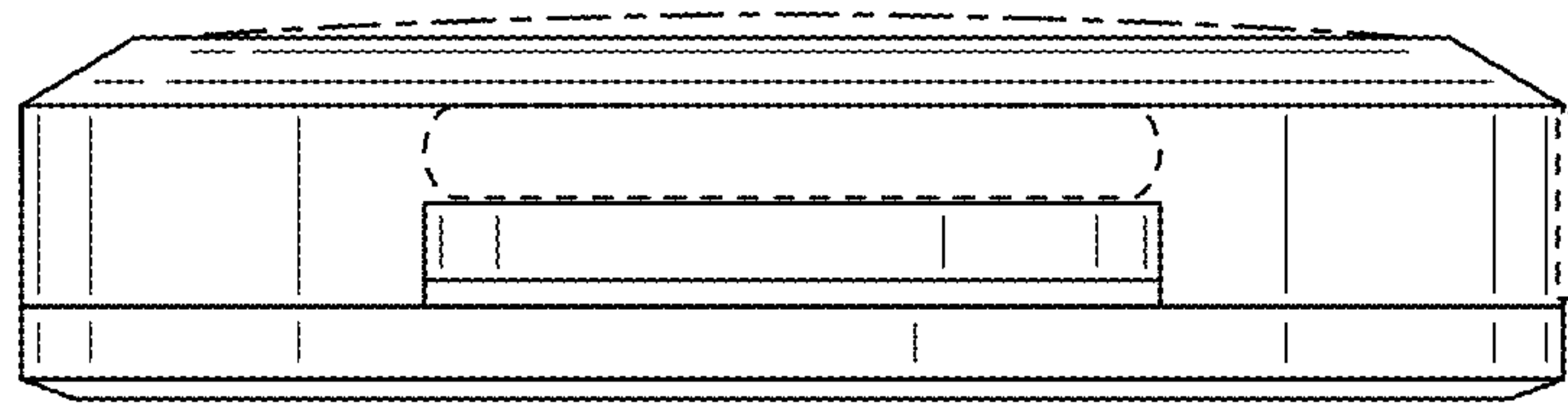


FIG. 6

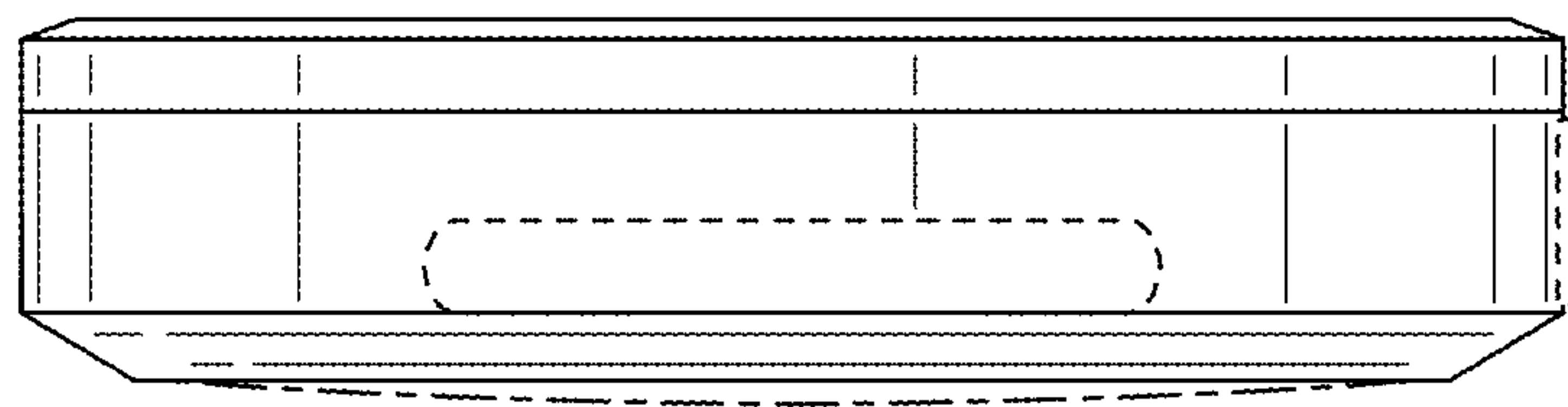


FIG. 7