



US00D812602S

(12) **United States Design Patent**
Wellard

(10) **Patent No.:** **US D812,602 S**

(45) **Date of Patent:** **** Mar. 13, 2018**

(54) **AUTO STEREO MOUNTING DEVICE**

(71) Applicant: **Metra Electronics Corporation**, Holly Hill, FL (US)

(72) Inventor: **Kennesaw Wellard**, Holly Hill, FL (US)

(73) Assignee: **Metra Electronics Corporation**, Holly Hill, FL (US)

(**) Term: **15 Years**

(21) Appl. No.: **29/563,013**

(22) Filed: **May 2, 2016**

(51) **LOC (11) Cl.** **14-03**

(52) **U.S. Cl.**
USPC **D14/258**

(58) **Field of Classification Search**
USPC D12/414, 415, 416, 417, 418, 419, 420,
D12/421, 422, 424, 425, 426, 190, 192,
D12/195, 191, 106, 345, 96, 99, 400;
D14/257, 258

CPC B60K 35/00; B60R 7/04; B60R 7/08
See application file for complete search history.

(56) **References Cited**

U.S. PATENT DOCUMENTS

D494,115 S *	8/2004	McPeck	D12/192
D515,487 S *	2/2006	Tanaka	D12/192
D608,264 S *	1/2010	Hwang	D12/192
D608,265 S *	1/2010	Collins	D12/192
D642,104 S *	7/2011	Nagode	D12/192
D654,837 S *	2/2012	Riggs	D12/192

D705,143 S *	5/2014	Kawashima	D12/192
D731,940 S *	6/2015	Okabe	D12/192
D763,154 S *	8/2016	Chang	D12/192
D770,953 S *	11/2016	Tanaka	D12/192
D771,541 S *	11/2016	Shouno	D12/192
D780,080 S *	2/2017	Ding	D12/192
2016/0129871 A1 *	5/2016	Knauf	B60K 35/00 280/730.1

OTHER PUBLICATIONS

Youtube.com. "Metra Kia Rio 2016-Up Car Stereo Dash Kits | CES 2016." Uploaded Feb. 1, 2016. Retrieved Apr. 11, 2017. (<https://www.youtube.com/watch?v=pv7TEUemq3g>).*

* cited by examiner

Primary Examiner — Karen S Acker

Assistant Examiner — Jerry Shiuan-Hua Hsu

(74) *Attorney, Agent, or Firm* — J. Wiley Horton

(57) **CLAIM**

The ornamental design for an "auto stereo mounting device," as shown and described.

DESCRIPTION

FIG. 1 is a perspective view of an auto stereo mounting device, showing my design;

FIG. 2 is a front elevation view of FIG. 1;

FIG. 3 is a rear elevation view of FIG. 1;

FIG. 4 is a right side elevation view of FIG. 1;

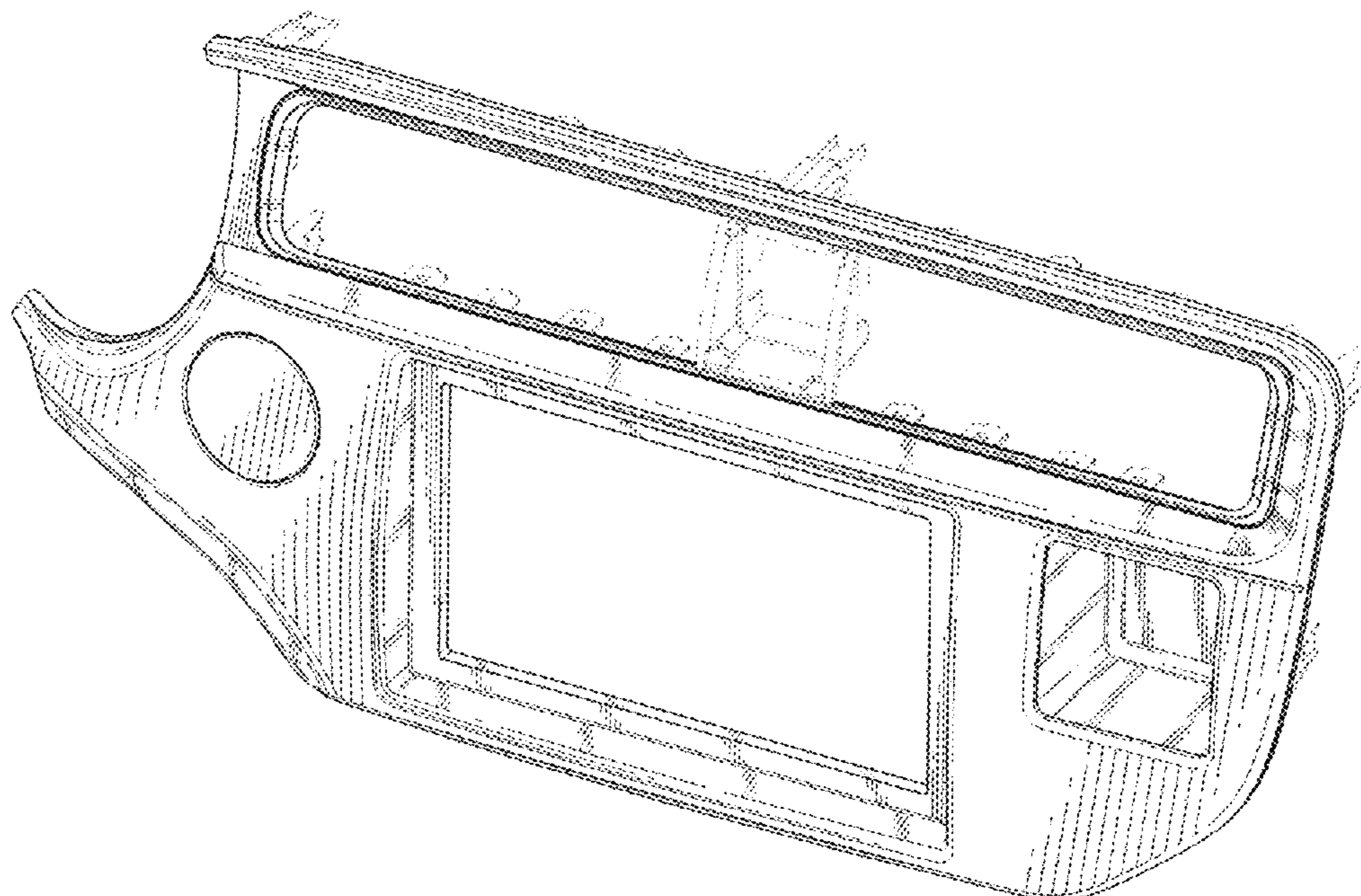
FIG. 5 is a left side elevation view of FIG. 1;

FIG. 6 is a top plan view of FIG. 1; and,

FIG. 7 is a bottom plan view of FIG. 1.

The broken lines shown in all views illustrate mounting features which form no part of the claimed design.

1 Claim, 6 Drawing Sheets



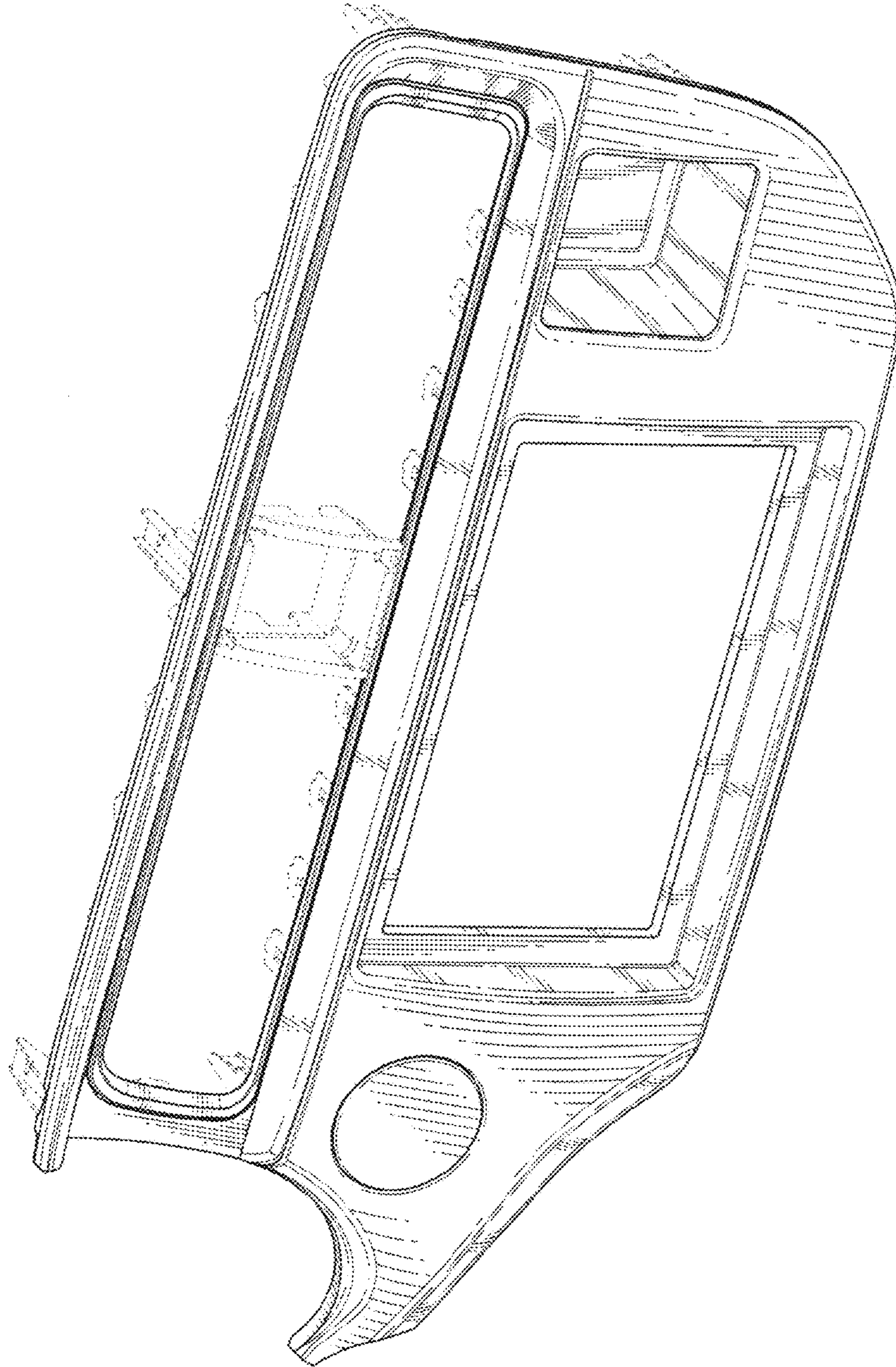


FIG. 1

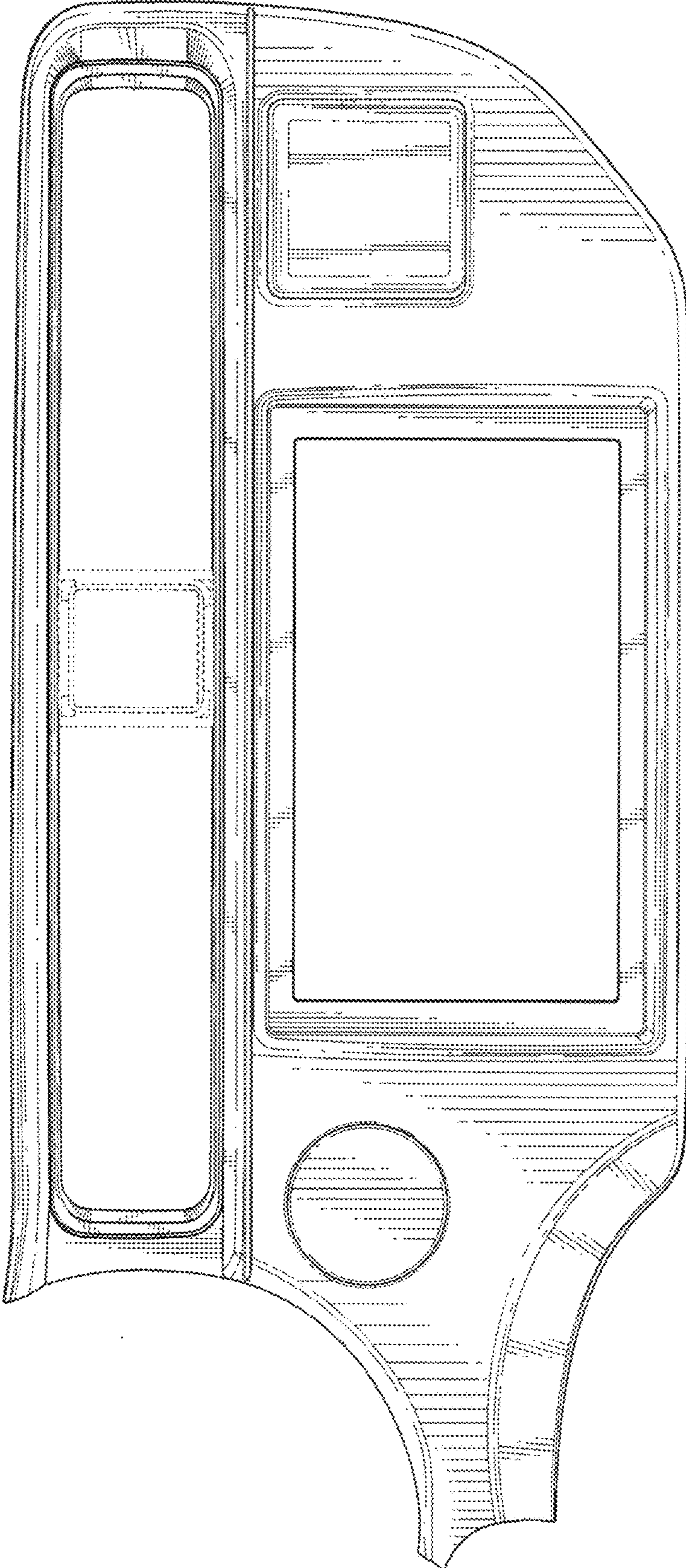


FIG. 2

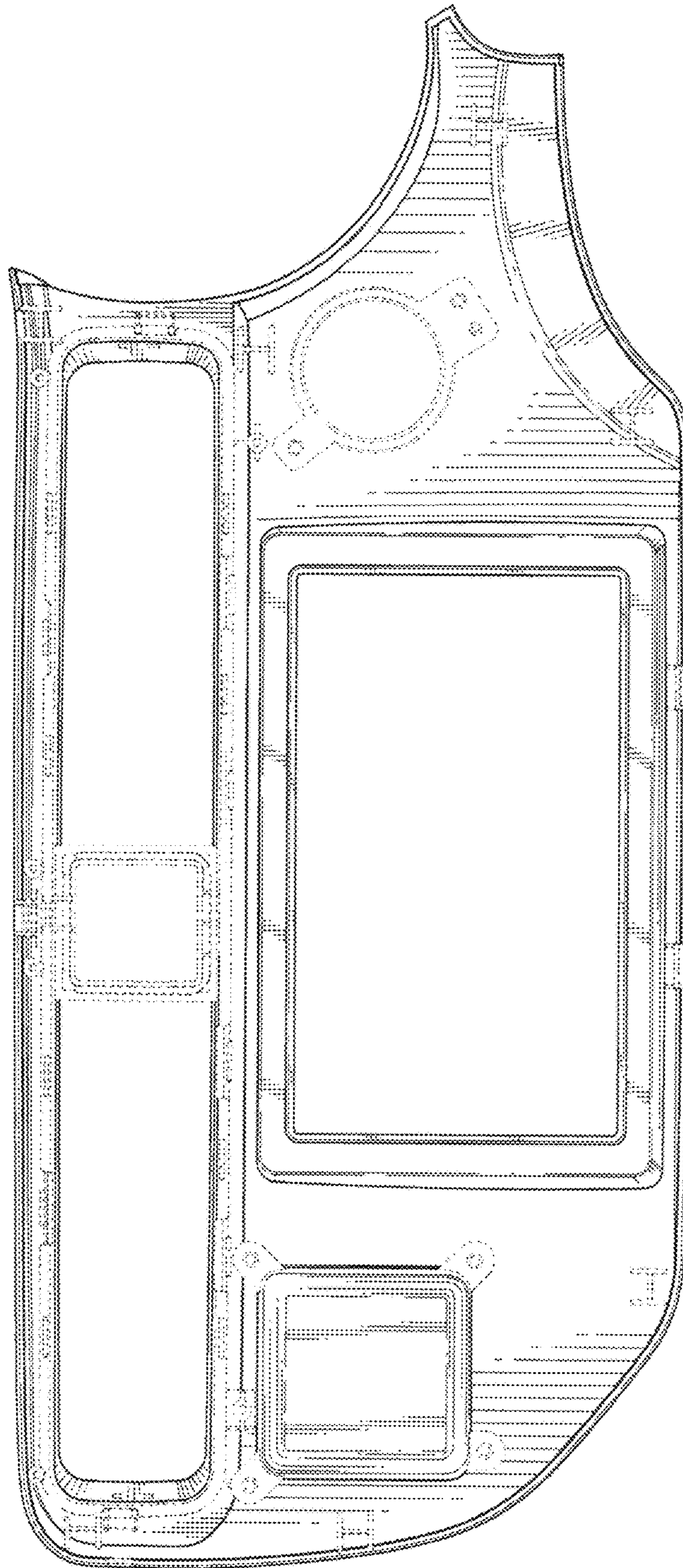


FIG. 3

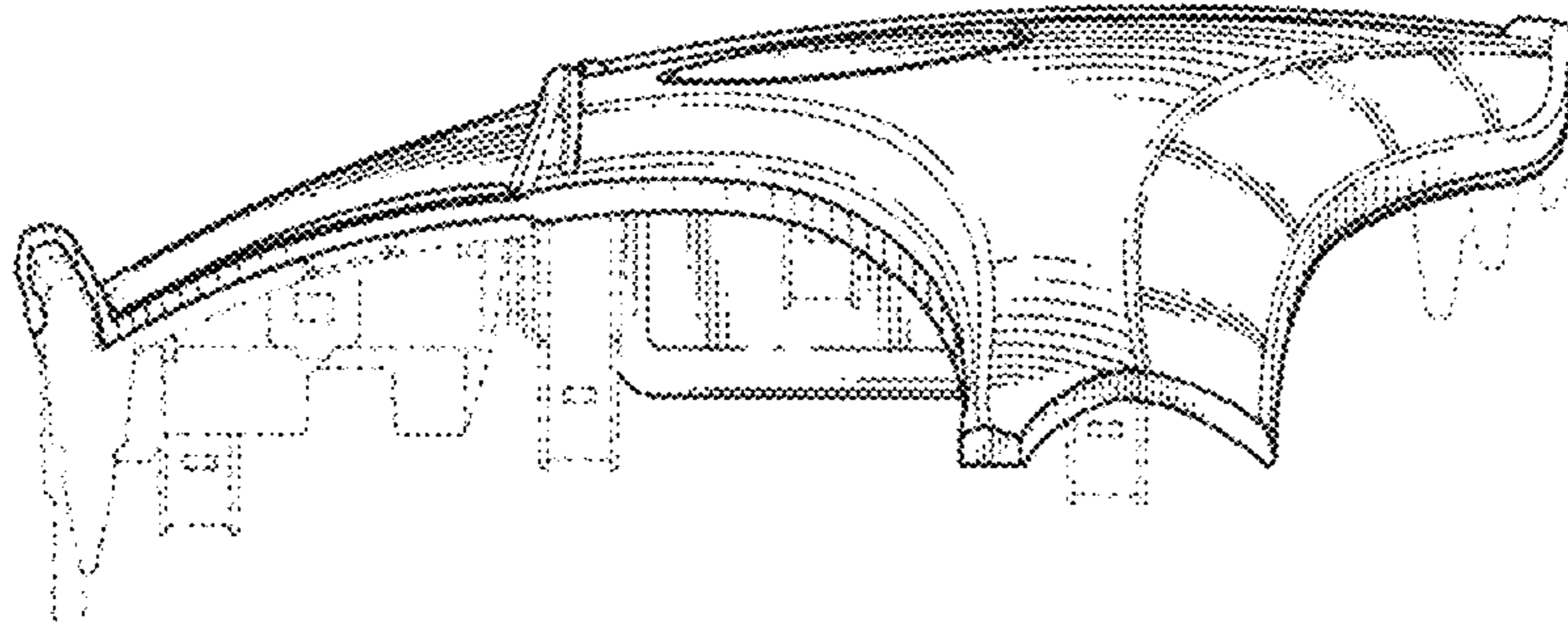


FIG. 5

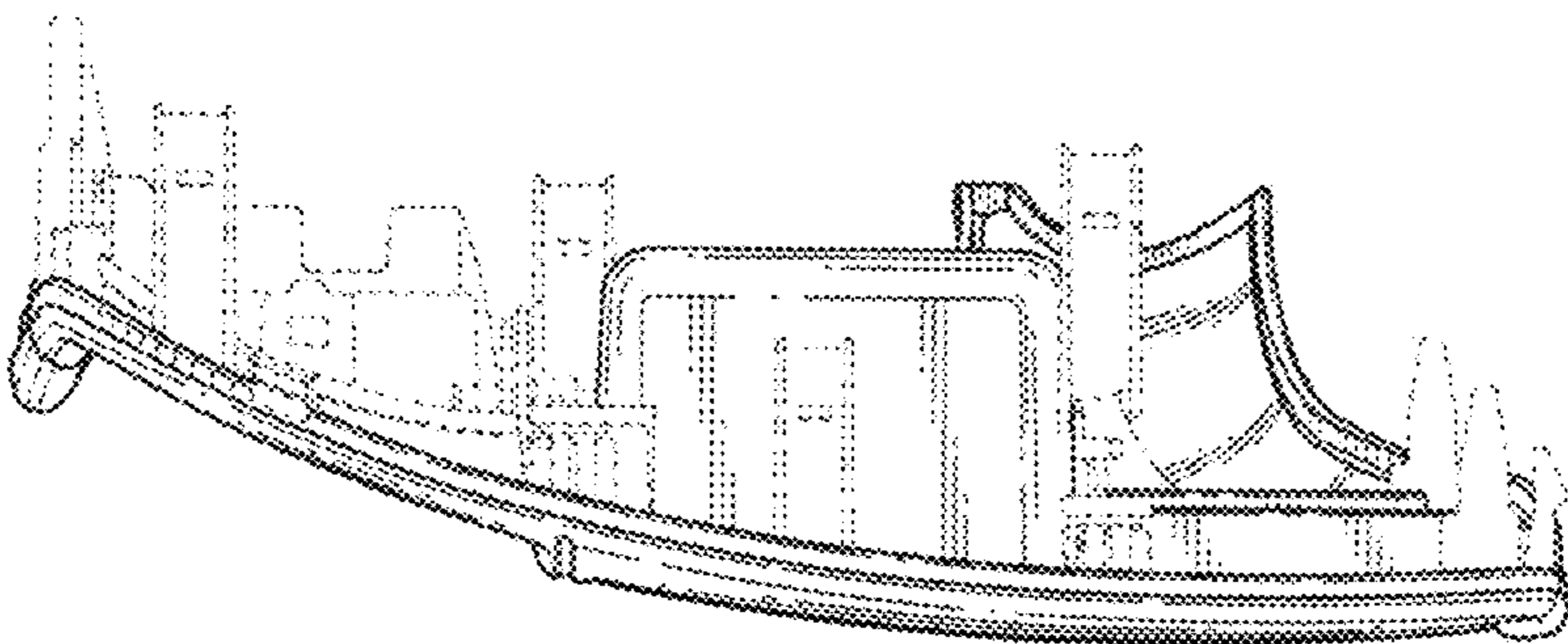


FIG. 4

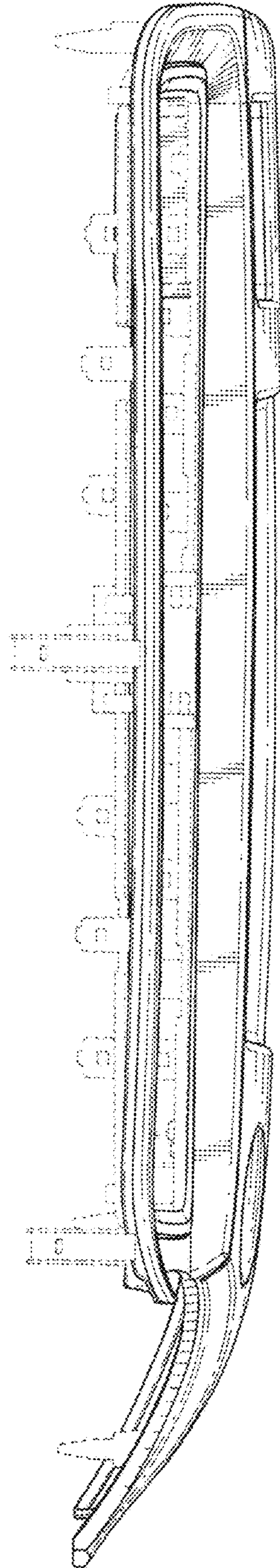


FIG. 6

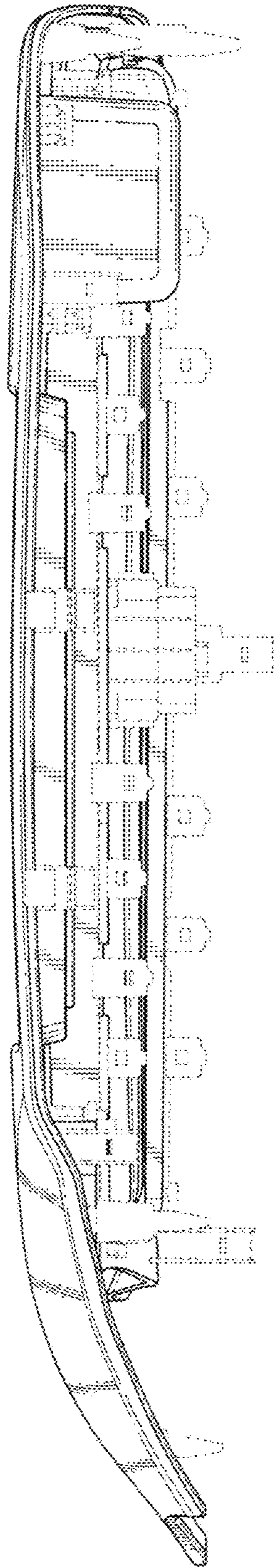


FIG. 7