



US00D812596S

(12) **United States Design Patent** (10) **Patent No.:** **US D812,596 S**
Iellici (45) **Date of Patent:** **** Mar. 13, 2018**

(54) **ANTENNA**
(71) Applicant: **Airgain Incorporated**, San Diego, CA (US)
(72) Inventor: **Devis Iellici**, Cambridge (GB)
(73) Assignee: **Airgain, Inc.**, San Diego, CA (US)
(**) Term: **15 Years**
(21) Appl. No.: **29/573,114**
(22) Filed: **Aug. 2, 2016**
(51) **LOC (11) Cl.** **14-03**
(52) **U.S. Cl.**
USPC **D14/230**
(58) **Field of Classification Search**
USPC D8/396; D12/42, 43; D13/101, 182;
D14/138, 230-238.1, 299, 358
CPC H01L 33/48; H01L 33/486; H03H 1/00
See application file for complete search history.

7,705,783 B2 4/2010 Rao et al.
7,729,662 B2 6/2010 Abramov et al.
D621,819 S 8/2010 Tsai et al.
7,843,390 B2 11/2010 Liu
D633,483 S 3/2011 Su et al.
D635,127 S 3/2011 Tsai et al.
7,907,971 B2 3/2011 Salo et al.
D635,560 S 4/2011 Tsai et al.
D635,963 S 4/2011 Poddaturi
D635,964 S 4/2011 Poddaturi
D635,965 S 4/2011 Mi et al.
D636,382 S 4/2011 Poddaturi
7,965,242 B2 6/2011 Abramov et al.
D649,962 S 12/2011 Tseng et al.
D651,198 S 12/2011 Mi et al.

(Continued)

Primary Examiner — John Windmuller
Assistant Examiner — Benjamin M Weeks
(74) *Attorney, Agent, or Firm* — Clause Eight IPS;
Michael Catania

(57) **CLAIM**

The ornamental design for an antenna, as shown and described.

(56) **References Cited**

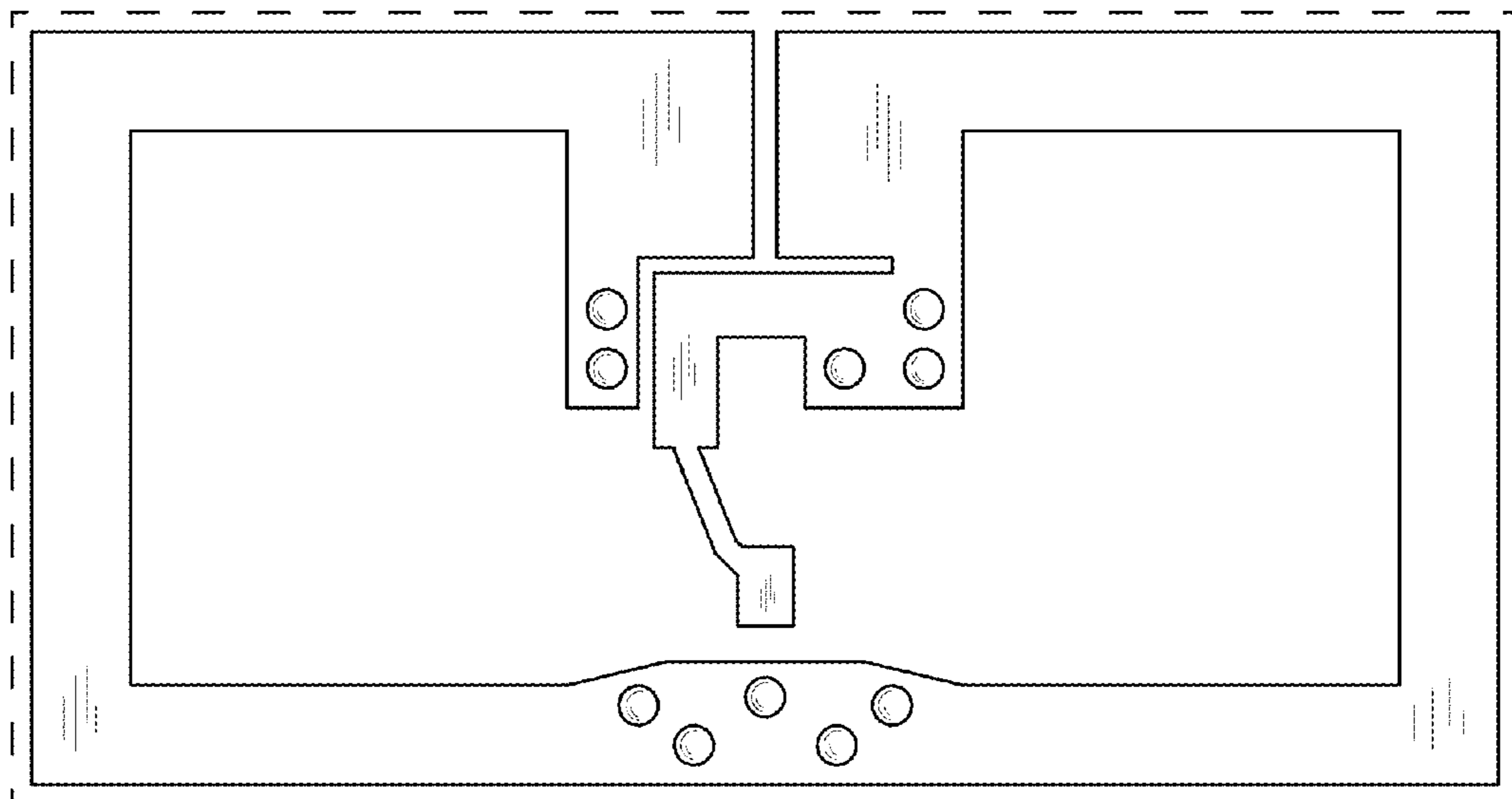
U.S. PATENT DOCUMENTS

7,061,437 B2 6/2006 Lin et al.
7,148,849 B2 12/2006 Lin
7,215,296 B2 5/2007 Abramov et al.
D546,821 S 7/2007 Oliver
D549,696 S 8/2007 Oshima et al.
7,333,067 B2 2/2008 Hung et al.
7,336,959 B2 2/2008 Khitrik et al.
D573,589 S 7/2008 Montgomery et al.
7,405,704 B1 8/2008 Lin et al.
7,477,195 B2 1/2009 Vance
D592,195 S 5/2009 Wu et al.
7,570,215 B2 8/2009 Abramov et al.
D599,334 S 9/2009 Chiang
D606,053 S 12/2009 Wu et al.
D607,442 S 1/2010 Su et al.
D608,769 S 1/2010 Bufe
D612,368 S 3/2010 Yang et al.

DESCRIPTION

FIG. 1 is a top plan view of a preferred embodiment of an antenna with a base in broken lines.
FIG. 2 is a side elevation view of the antenna of FIG. 1.
FIG. 3 is a side elevation view of the antenna of FIG. 1.
FIG. 4 is a front elevation view of the antenna of FIG. 1.
FIG. 5 is a rear elevation view of the antenna of FIG. 1.
FIG. 6 is a bottom plan view of the antenna of FIG. 1.
FIG. 7 is a top perspective view of the antenna of FIG. 1; and,
FIG. 8 is a bottom perspective view of the antenna of FIG. 1.
The broken lines show environment only and form no part of the claimed design.

1 Claim, 4 Drawing Sheets



(56)

References Cited

U.S. PATENT DOCUMENTS

D654,059 S	2/2012	Mi et al.	D706,751 S	6/2014	Chang et al.
D654,060 S	2/2012	Ko et al.	D708,602 S	7/2014	Gosalia et al.
D658,639 S	5/2012	Huang et al.	D709,053 S	7/2014	Chang et al.
D659,129 S	5/2012	Mi et al.	D710,832 S	8/2014	Yang
D659,685 S	5/2012	Huang et al.	D710,833 S	8/2014	Zheng et al.
D659,688 S	5/2012	Huang et al.	D711,357 S *	8/2014	McDonnell D14/230
8,175,036 B2	5/2012	Visuri et al.	8,854,265 B1	10/2014	Yang et al.
8,184,601 B2	5/2012	Abramov et al.	D716,775 S	11/2014	Bidermann
D662,916 S	7/2012	Huang et al.	D737,255 S *	8/2015	Ozeki D13/154
8,248,970 B2	8/2012	Abramov et al.	D762,197 S *	7/2016	Yang D14/230
D671,097 S	11/2012	Mi et al.	D768,117 S *	10/2016	Yang D14/230
8,310,402 B2	11/2012	Yang	D783,006 S *	4/2017	Podduturi D14/230
D676,429 S	2/2013	Gosalia et al.	D785,604 S *	5/2017	Chang D14/230
D678,255 S	3/2013	Ko et al.	2002/0003499 A1	1/2002	Kouam et al.
8,423,084 B2	4/2013	Abramov et al.	2004/0222936 A1	11/2004	Hung et al.
D684,565 S	6/2013	Wei	2005/0073462 A1	4/2005	Lin et al.
D685,352 S	7/2013	Wei	2005/0190108 A1	9/2005	Lin et al.
D685,772 S	7/2013	Zheng et al.	2006/0208900 A1	9/2006	Tavassoli Hozouri
D686,600 S	7/2013	Yang	2007/0030203 A1	2/2007	Tsai et al.
D689,474 S	9/2013	Yang et al.	2008/0150829 A1	6/2008	Lin et al.
D692,870 S	11/2013	He	2009/0002244 A1	1/2009	Woo
D694,738 S	12/2013	Yang	2009/0058739 A1	3/2009	Konishi
D695,279 S	12/2013	Yang et al.	2009/0135072 A1	5/2009	Ke et al.
D695,280 S	12/2013	Yang et al.	2009/0262028 A1	10/2009	Murnbru et al.
D703,195 S	4/2014	Zheng	2010/0188297 A1	7/2010	Chen et al.
D703,196 S	4/2014	Zheng	2010/0309067 A1	12/2010	Tsou et al.
D706,247 S	6/2014	Zheng et al.	2011/0006950 A1	1/2011	Park et al.
D706,750 S	6/2014	Bringuir	2012/0038514 A1	2/2012	Bang
			2012/0229348 A1	9/2012	Chiang
			2012/0242546 A1	9/2012	Hu et al.

* cited by examiner

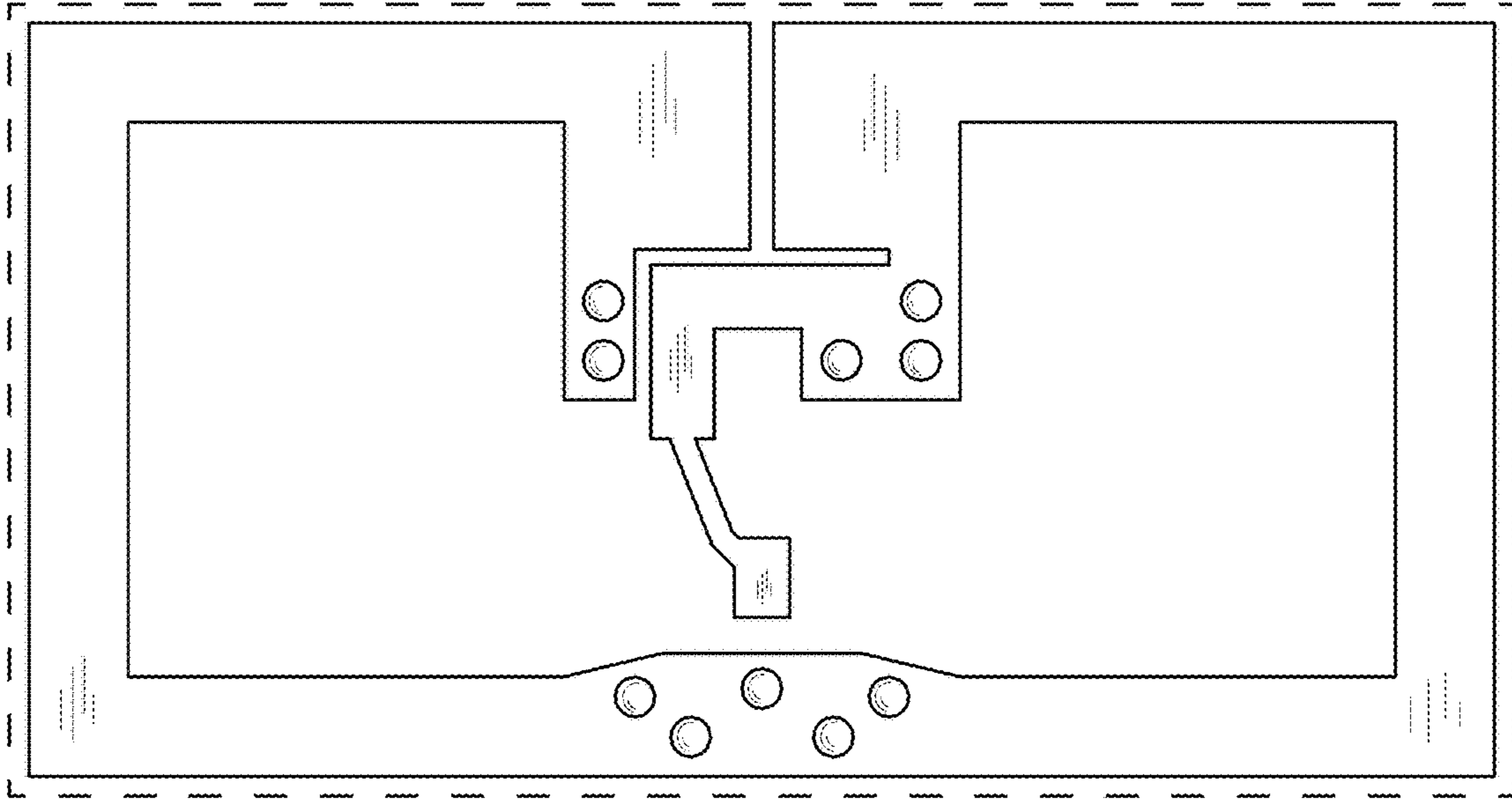


FIG. 1



FIG. 2

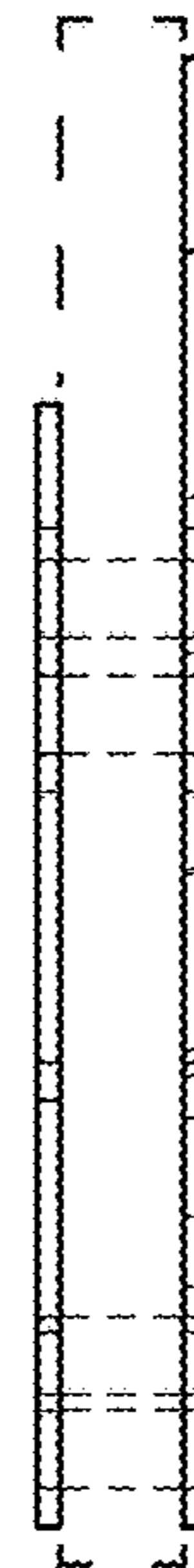


FIG. 3

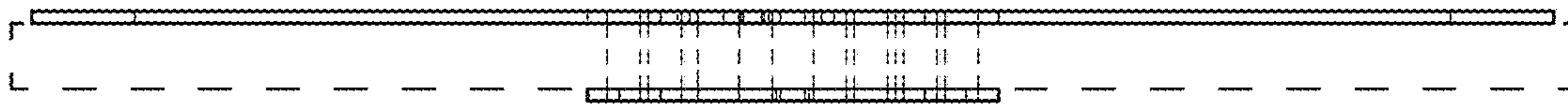


FIG. 4

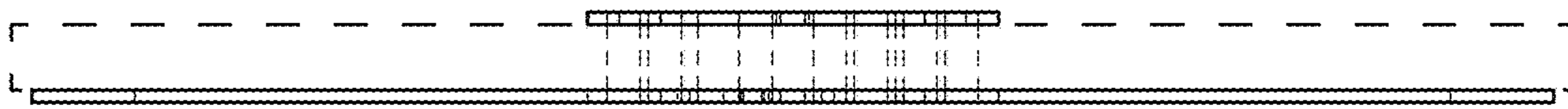


FIG. 5

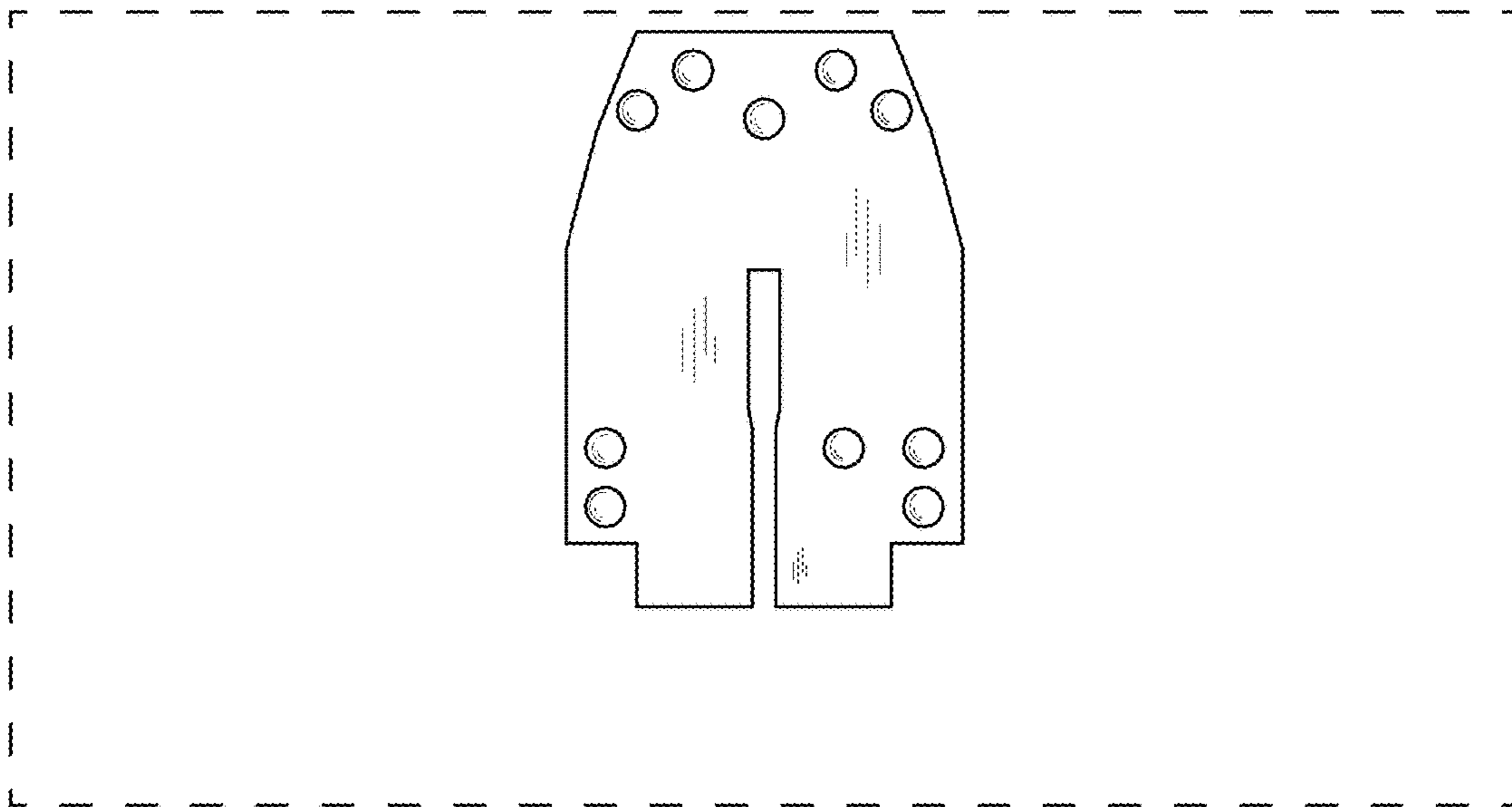


FIG. 6

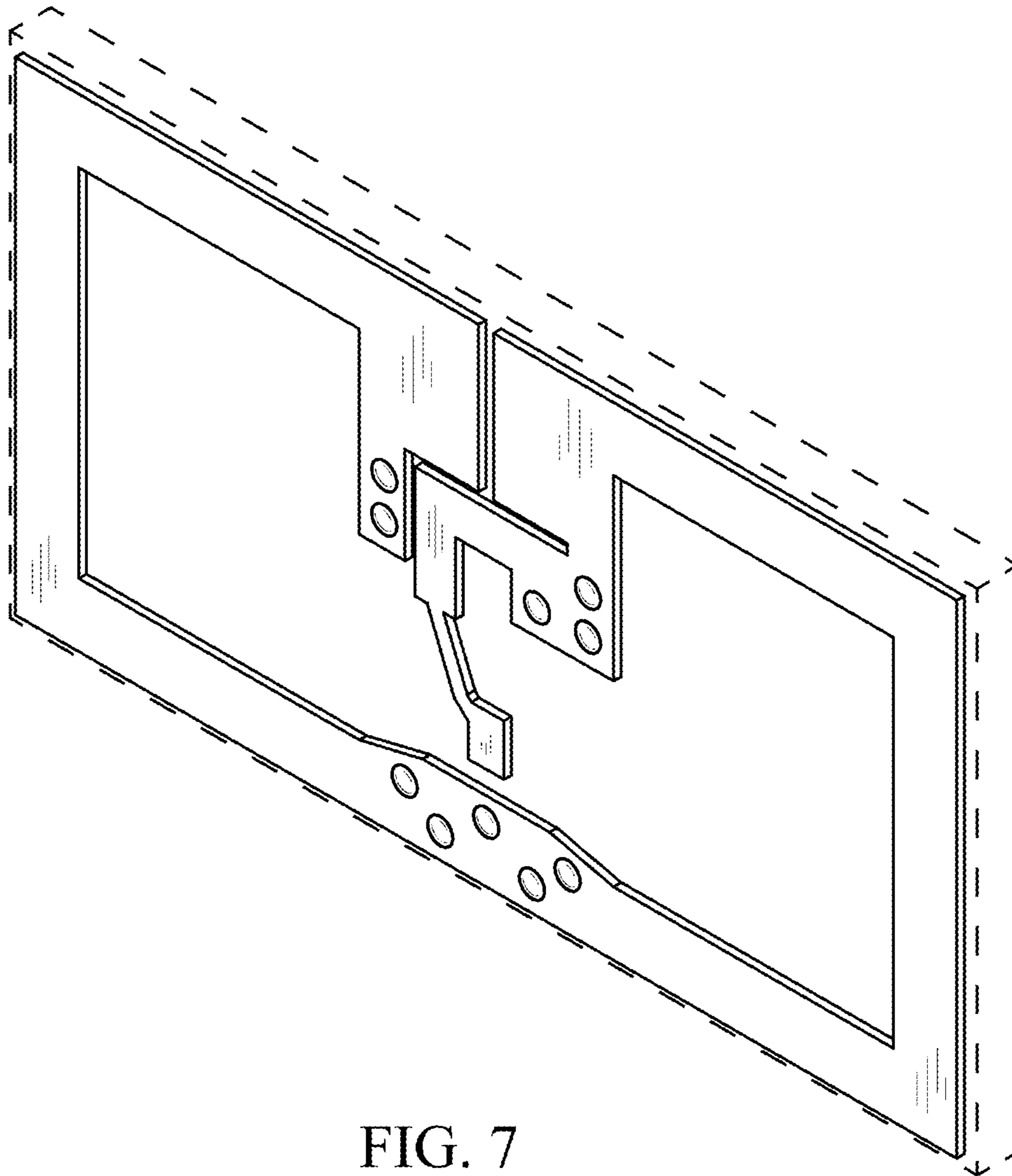


FIG. 7

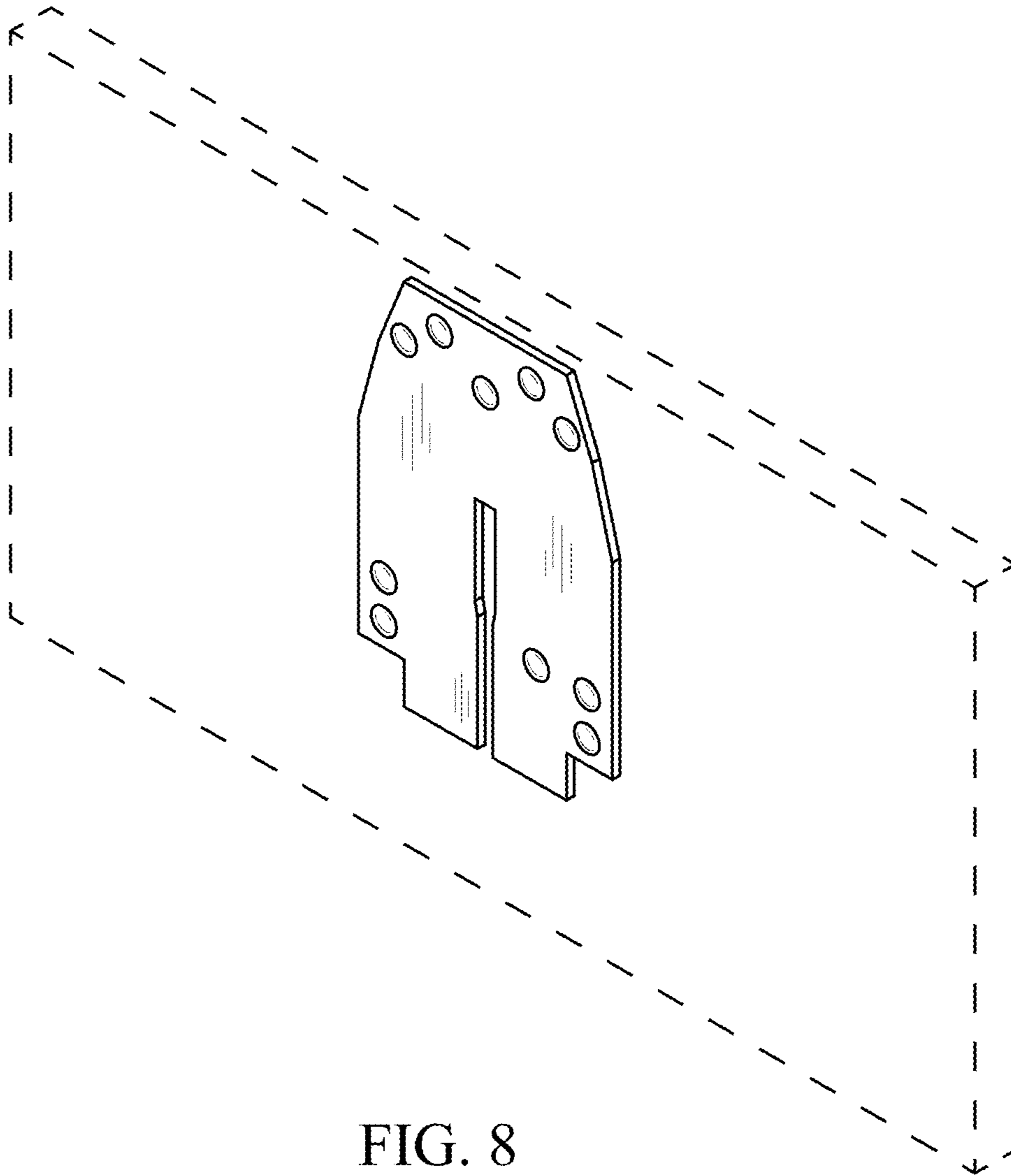


FIG. 8