



US00D812594S

(12) **United States Design Patent**
Katopis

(10) **Patent No.:** **US D812,594 S**

(45) **Date of Patent:** **** *Mar. 13, 2018**

(54) **ANIMAL PAW-THEMED EARBUD**

(71) Applicant: **Chris J. Katopis**, Washington, DE (US)

(72) Inventor: **Chris J. Katopis**, Washington, DE (US)

(*) Notice: This patent is subject to a terminal disclaimer.

(**) Term: **15 Years**

(21) Appl. No.: **29/588,381**

(22) Filed: **Dec. 20, 2016**

(51) **LOC (11) Cl.** **14-01**

(52) **U.S. Cl.**

USPC **D14/223**; D14/205; D14/207

(58) **Field of Classification Search**

USPC D14/223, 205, 206, 207; D24/174;
181/129, 130, 135; 128/864, 866, 867;
381/381, 380; D1/106

CPC H04R 25/00; H04R 25/02; H04R 1/10;
H04R 1/1016; H04R 1/105; H04R
1/1083; H04R 1/1041; H04R 2420/07;
H04R 2430/01; H04R 1/02

See application file for complete search history.

(56) **References Cited**

U.S. PATENT DOCUMENTS

D255,968 S *	7/1980	Shack	D7/551.3
D375,484 S *	11/1996	Leifer	D14/403
D378,869 S	4/1997	Mikell		
D383,136 S *	9/1997	Leifer	D14/205
D397,740 S	9/1998	Georgevich		
D427,743 S *	7/2000	Macias	D1/107
D436,002 S *	1/2001	Shih	D7/396.2
D445,518 S	7/2001	Warden		
D457,705 S	5/2002	Haslet et al.		
D466,662 S	12/2002	Lorkovic		
D473,769 S	4/2003	Kelleghan		
D477,371 S *	7/2003	Niu	D17/22
D490,638 S	6/2004	Gray et al.		

D493,036 S	7/2004	O'Neal		
D506,585 S	6/2005	Muller et al.		
D531,364 S	10/2006	Crane		
D558,933 S *	1/2008	Hood	D30/158
D571,108 S	6/2008	Slabaugh		
D571,929 S	6/2008	Palmer, III		
D572,141 S	7/2008	Slabaugh		
D581,830 S	12/2008	Slabaugh		
D585,727 S	2/2009	Kelleghan		
D591,162 S	4/2009	Slabaugh		

(Continued)

OTHER PUBLICATIONS

Iuulla—Paw Print Earrings, announced Oct. 12, 2015 (dated via reviews) [online], [site visited Oct. 13, 2017]. Available from internet, URL: <<https://www.luulla.com/product/310260/14k-gold-paw-print-earrings---solid-gold-studs---cats-and-dogs-lover-gift---paw-print-jewelry>>.*

(Continued)

Primary Examiner — Keli L Hill

Assistant Examiner — Karra S Johnson

(74) *Attorney, Agent, or Firm* — Chris J. Katopis

(57)

CLAIM

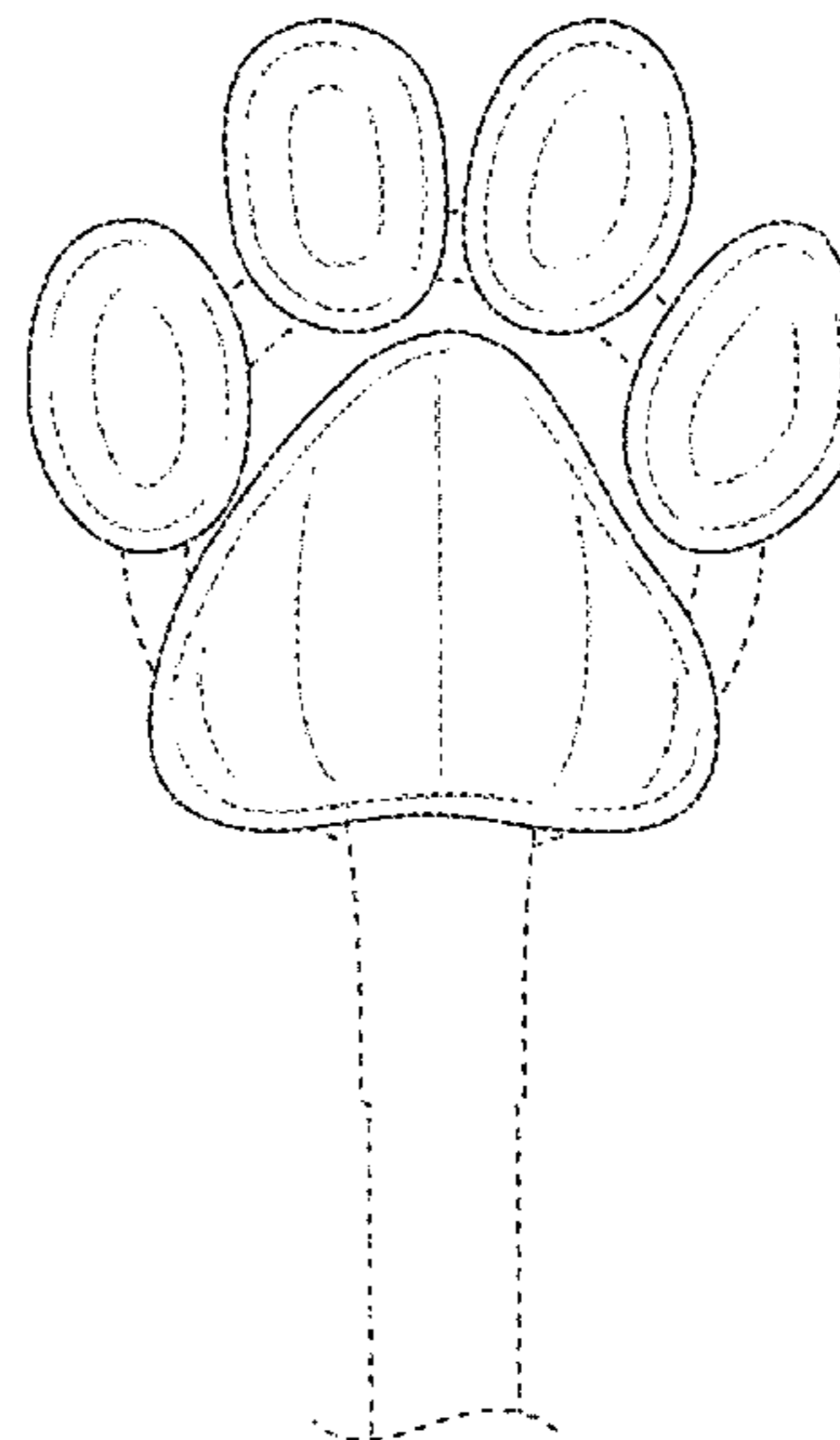
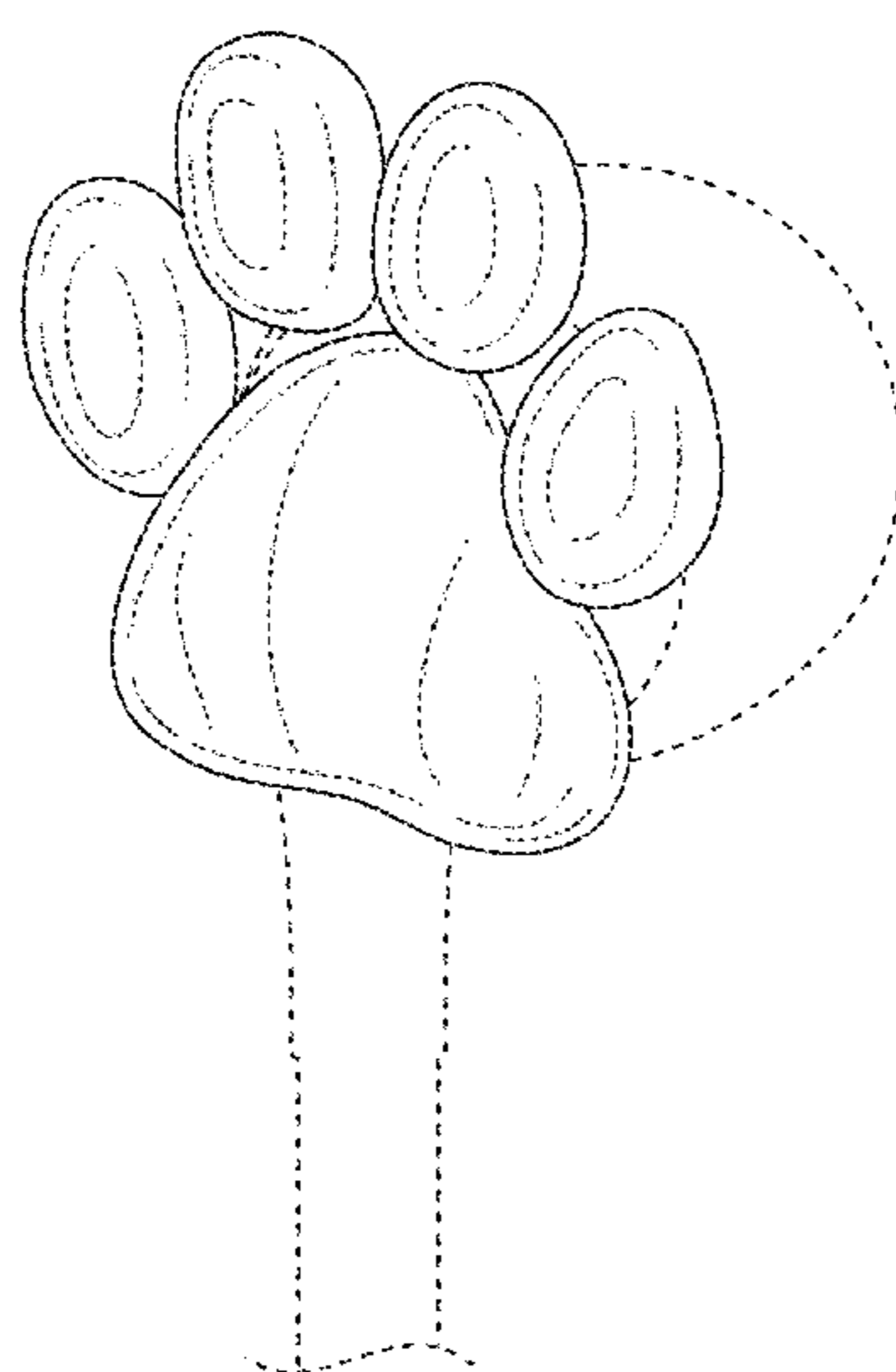
The ornamental design for an animal paw-themed earbud, as shown and described.

DESCRIPTION

FIG. 1 is a front perspective view of an animal paw-themed earbud, showing the new design; FIG. 2 is a front view thereof; FIG. 3 is a back view thereof; FIG. 4 is a side view thereof; FIG. 5 is a top view thereof; and, FIG. 6 is a bottom view thereof.

The broken lines shown are included for the purpose of illustrating portions of the animal paw-themed earbud that form no part of the claim.

1 Claim, 6 Drawing Sheets



(56)

References Cited

U.S. PATENT DOCUMENTS

D591,478 S * 5/2009 Slusarczyk D1/107
 D591,914 S * 5/2009 Witham D30/199
 D602,656 S * 10/2009 Fuhrer D30/162
 D607,887 S * 1/2010 Tsai D14/480.2
 D614,074 S 4/2010 Castaline et al.
 D620,057 S 7/2010 Gickler
 D634,374 S 3/2011 Gickler
 D636,134 S 4/2011 Spurgeon
 D640,564 S * 6/2011 Kerr D9/607
 D642,336 S * 7/2011 Desrosiers D30/122
 D654,245 S 2/2012 School
 D656,280 S * 3/2012 St. Clair D30/122
 D658,631 S * 5/2012 Lee D14/205
 D661,456 S * 6/2012 Couttenye D1/107
 D676,202 S 2/2013 Hansen
 D684,016 S 6/2013 Arranaga
 D685,565 S 7/2013 Bhandula
 D689,328 S 9/2013 Hollinger
 D691,853 S * 10/2013 Gilmour D7/510
 D693,862 S * 11/2013 Wirth, Jr. D15/140
 D702,437 S 4/2014 Laboret
 D703,749 S 4/2014 Pascale
 8,732,919 B1 * 5/2014 Malueg-Ray A61G 17/08
 27/1
 D721,420 S 1/2015 Hawkins

D721,421 S 1/2015 Hawkins
 D756,835 S 5/2016 Morgan
 D757,374 S * 5/2016 Breit D30/133
 D759,339 S * 6/2016 Smith D99/5
 D761,874 S 7/2016 Katopis
 D766,659 S 9/2016 Laurain
 D796,952 S * 9/2017 Katopis D9/438
 2006/0010913 A1 * 1/2006 Torres A44C 25/00
 63/23
 2011/0132269 A1 * 6/2011 Davidson A45C 11/00
 119/161
 2011/0169183 A1 * 7/2011 Axelrod B29C 45/14778
 264/46.4
 2012/0068396 A1 * 3/2012 Wirth, Jr. B23Q 1/032
 269/289 R

OTHER PUBLICATIONS

Iuulla—Paw Print Necklace Pendant, announced Jan. 27, 2014 (dated via reviews) [online], [site visited Oct. 13, 2017]. Available from internet, URL: <<https://www.luulla.com/product/119092/paw-print-necklace-pendant---sterling-silver---cats-and-dogs-paw>>.*
 Amazon—Paw Print Car Decal, announced Mar. 13, 2014 [online], [site visited Oct. 13, 2017]. Available from internet, URL: <<https://www.amazon.co.uk/Window-Bumper-Sticker-Emblem-stickers/dp/B00HVPONIM>>.*

* cited by examiner

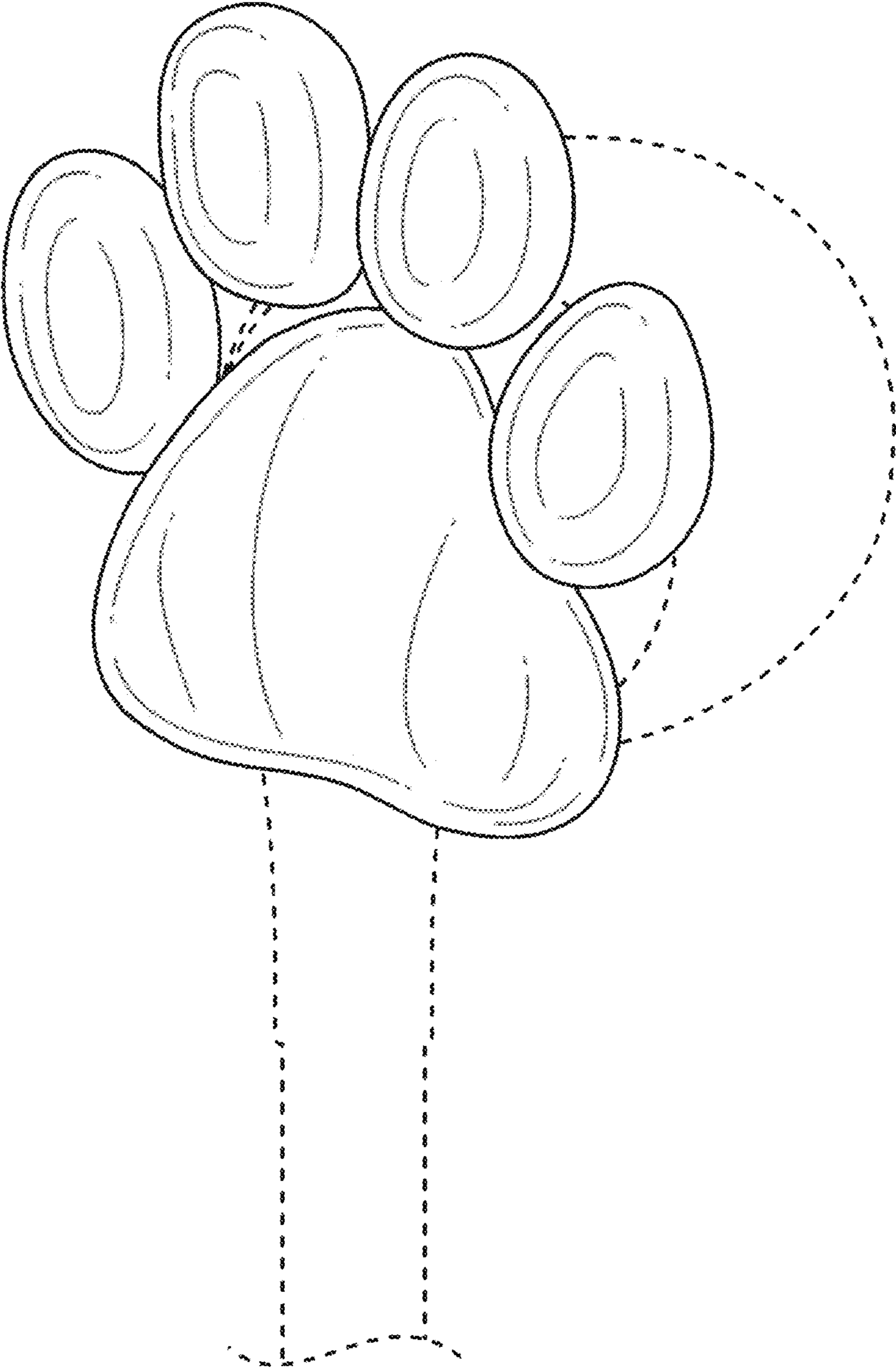


FIG. 1

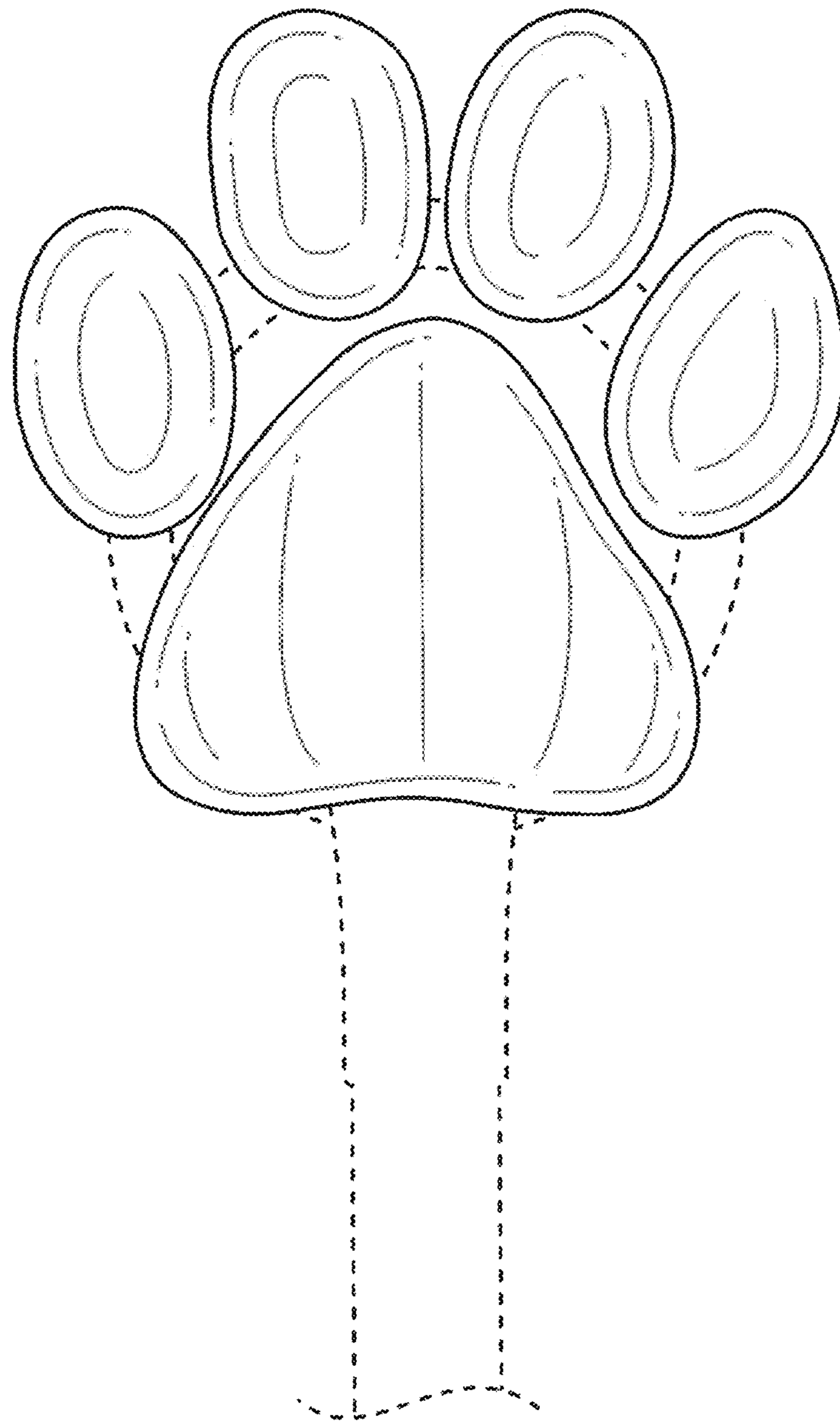


FIG. 2

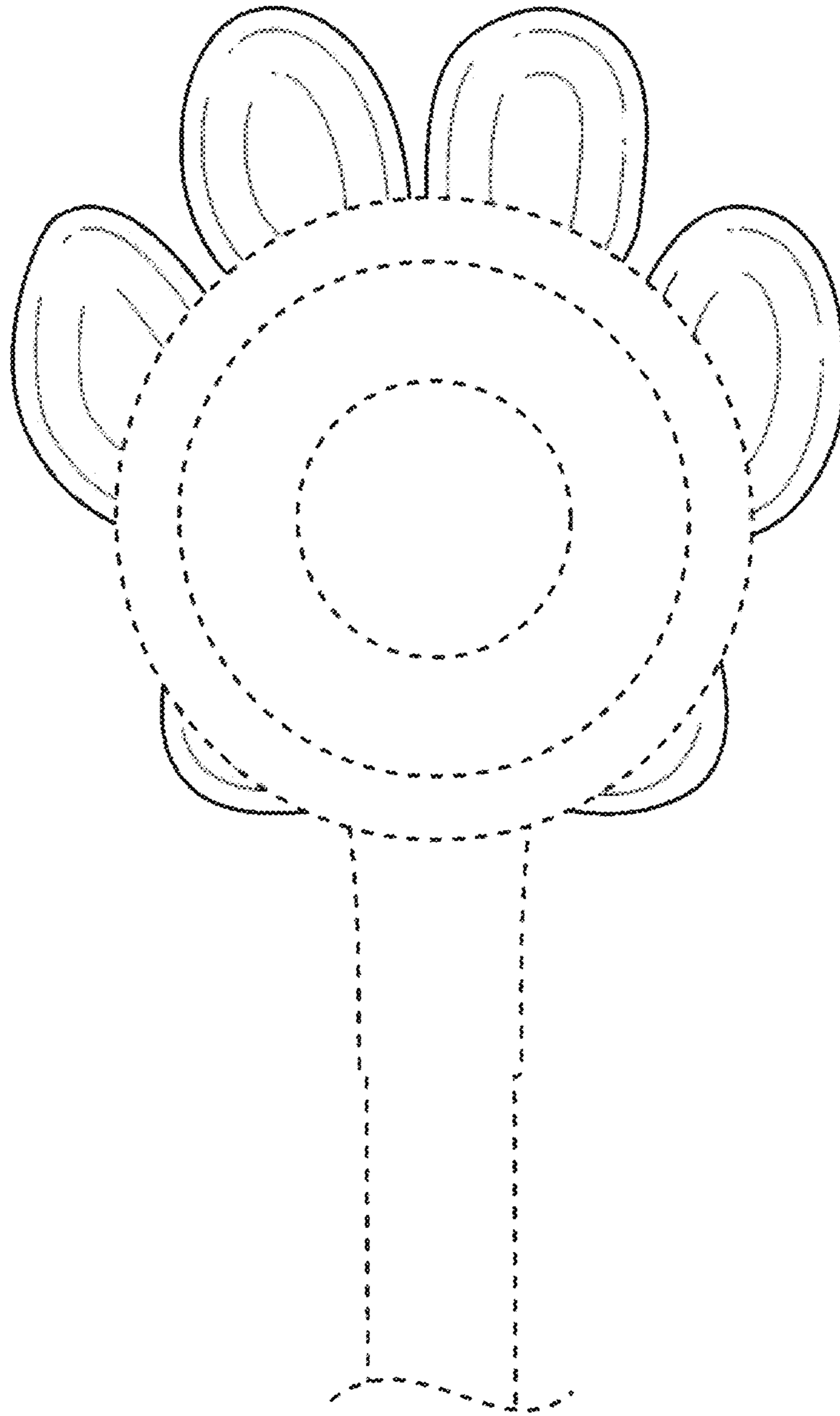


FIG. 3

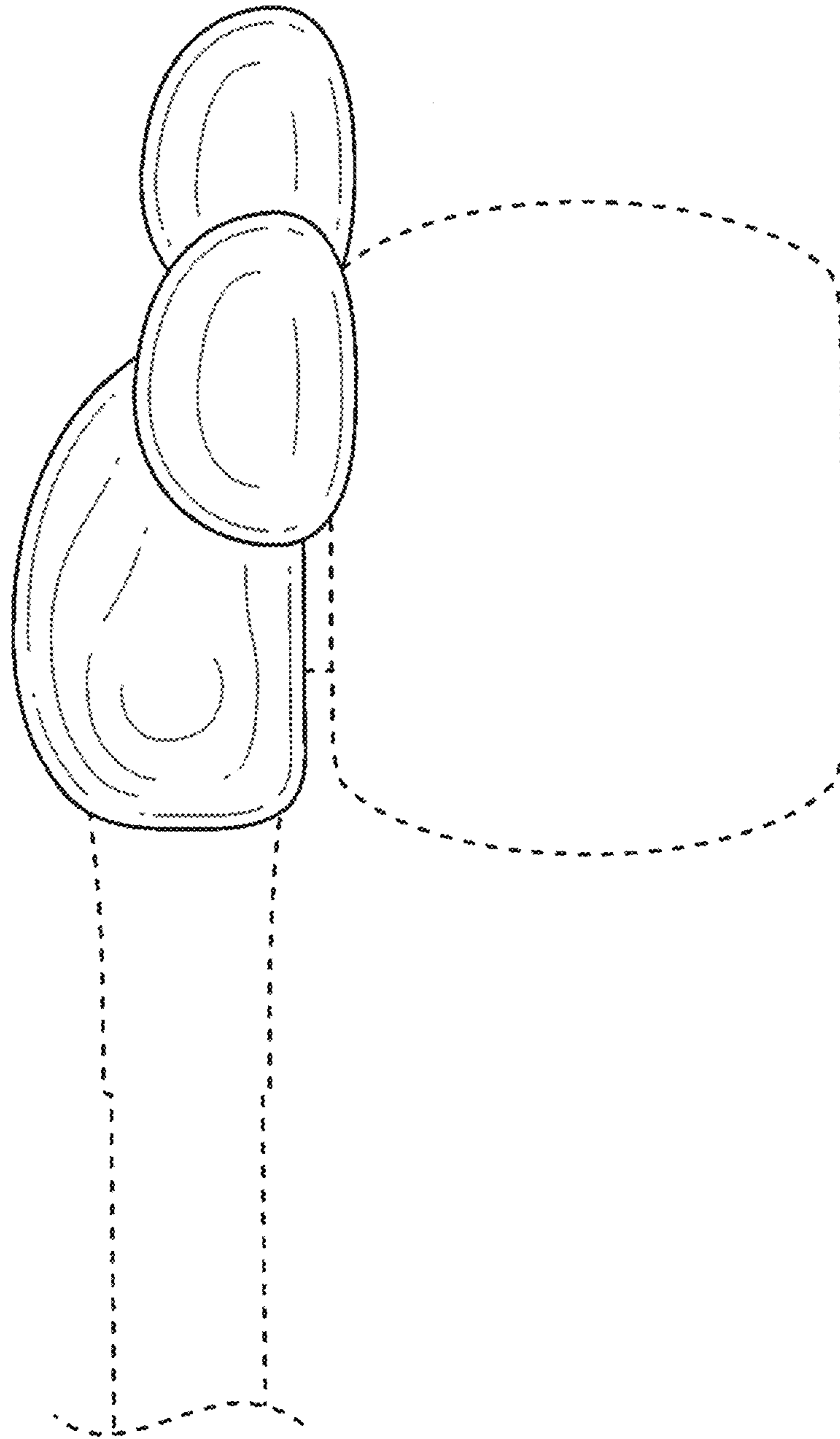


FIG. 4

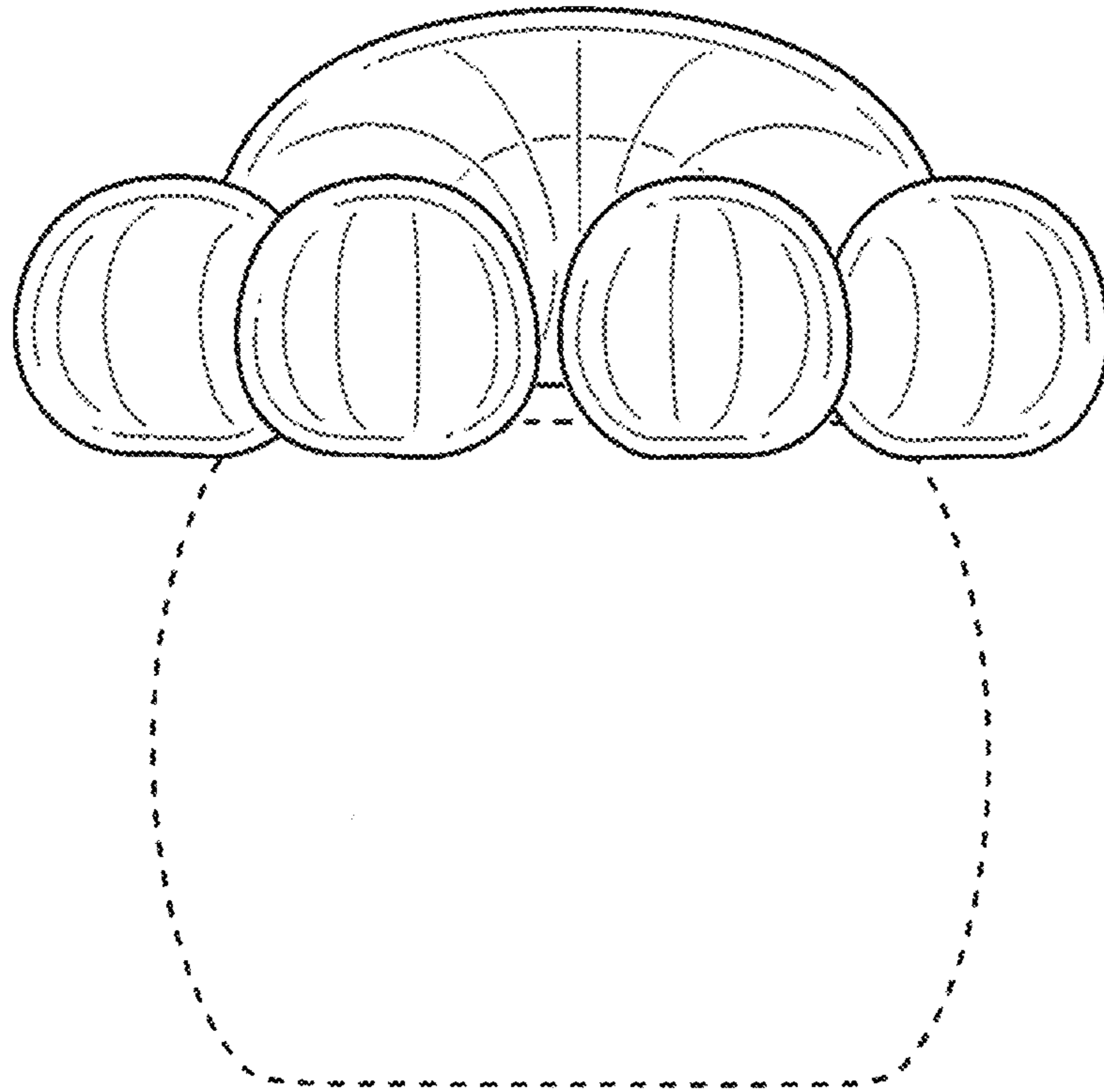


FIG. 5

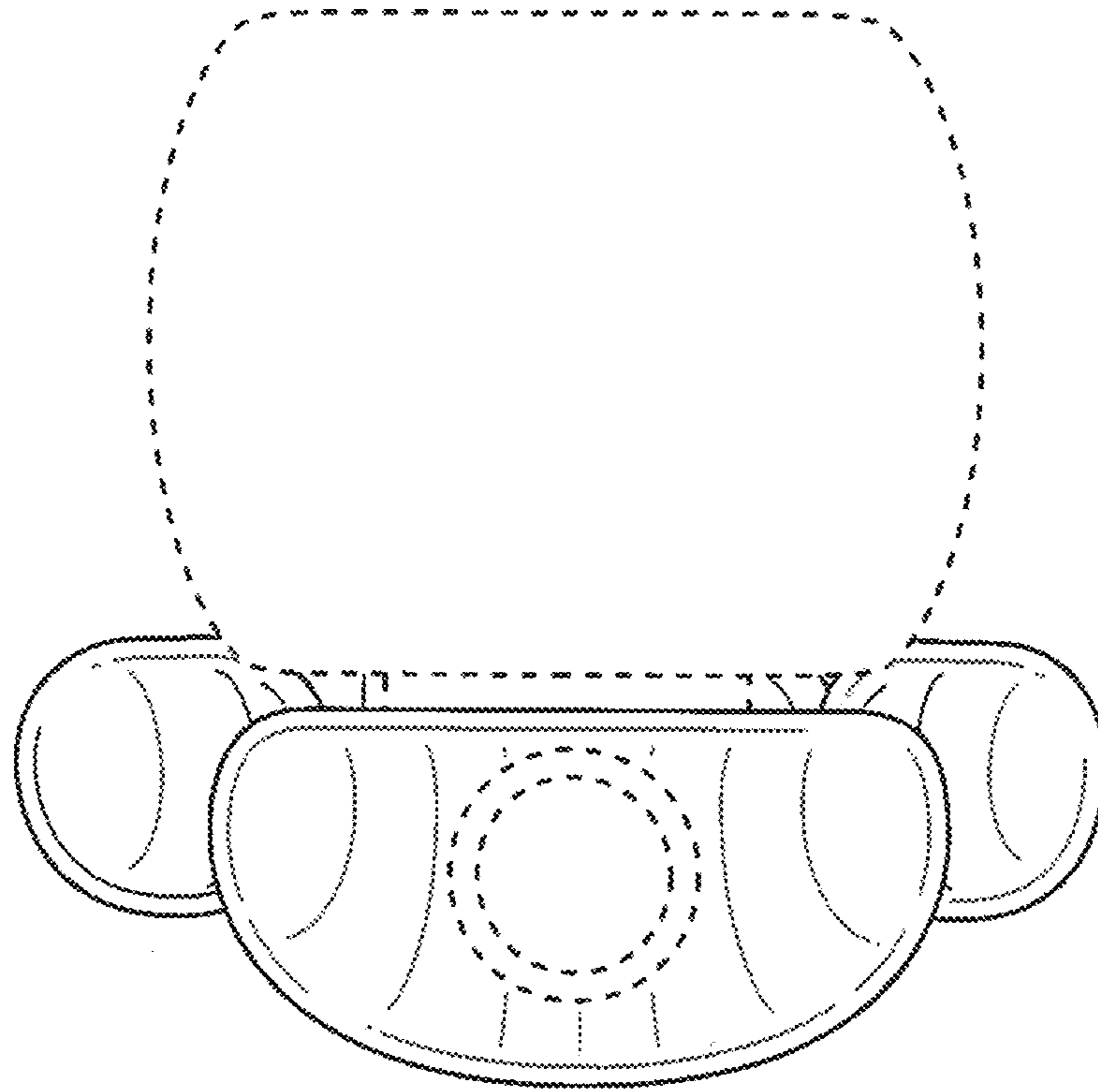


FIG. 6