



US00D812592S

(12) **United States Design Patent**
Lagerstedt et al.

(10) **Patent No.:** **US D812,592 S**
(45) **Date of Patent:** **** Mar. 13, 2018**

(54) **REMOTE CONTROL**

(71) Applicant: **Savant Systems, LLC**, Hyannis, MA (US)

(72) Inventors: **Jonas Lagerstedt**, San Francisco, CA (US); **Martin Gschwandtl**, San Francisco, CA (US); **Robert Brunner**, San Francisco, CA (US)

(73) Assignee: **Savant Systems, LLC**, Hyannis, MA (US)

(**) Term: **15 Years**

(21) Appl. No.: **29/541,424**

(22) Filed: **Oct. 2, 2015**

(51) **LOC (11) Cl.** **14-03**

(52) **U.S. Cl.**
USPC **D14/218**

(58) **Field of Classification Search**
USPC D14/218; D13/168; D21/566; D10/104, D10/106

CPC G05D 1/0038; G08C 23/04; G08C 17/02; H04N 5/23203; H04N 7/142; H03G 9/02; H03G 3/001; H03G 1/02; H03G 3/04
See application file for complete search history.

(56) **References Cited**

U.S. PATENT DOCUMENTS

D365,102 S * 12/1995 Gioscia D14/218
D367,061 S 2/1996 Davison
D382,878 S 8/1997 Erlin
D392,641 S * 3/1998 Fenner D14/218
D424,061 S 5/2000 Backs et al.

D489,361 S 5/2004 Mori et al.
D491,924 S 6/2004 Kaminski et al.
D532,779 S * 11/2006 Kim D14/218
D543,197 S 5/2007 Loughnane
D583,363 S * 12/2008 Song D13/168
D586,301 S 2/2009 Corsini et al.
D603,842 S 11/2009 Bruce et al.
D620,456 S 7/2010 Akana et al.
D636,761 S 4/2011 Hansen et al.
D640,669 S * 6/2011 Cho D14/218
D669,452 S 10/2012 Akana et al.
D714,740 S 10/2014 Corsini et al.
D722,044 S * 2/2015 Daniel D14/218
D725,633 S * 3/2015 Sung D14/218
D793,365 S * 8/2017 Kato D14/218

* cited by examiner

Primary Examiner — John Windmuller

(74) *Attorney, Agent, or Firm* — Cesari and McKenna, LLP; James A. Blanchette

(57) **CLAIM**

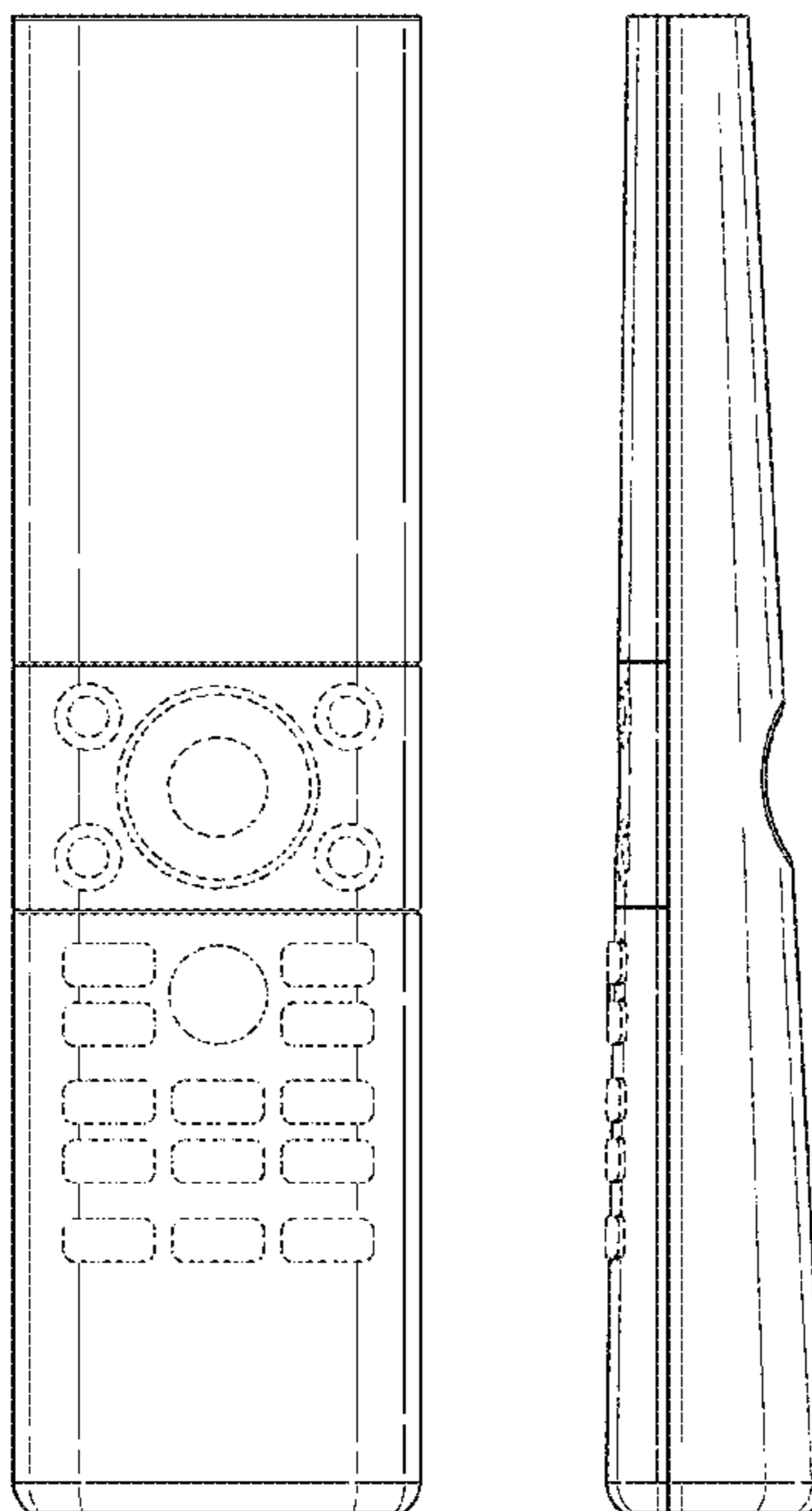
We claim the ornamental design for a remote control, as shown and described.

DESCRIPTION

FIG. 1 is a perspective view showing the new design; FIG. 2 is a top plan view thereof; FIG. 3 is a left side elevational view thereof; FIG. 4 is a front elevational view thereof; FIG. 5 is a right side elevational view thereof; FIG. 6 is a back elevational view thereof; and, FIG. 7 is a bottom plan view thereof.

The broken lines in the figures depict portions of the remote control that are not part of the claimed design.

1 Claim, 4 Drawing Sheets



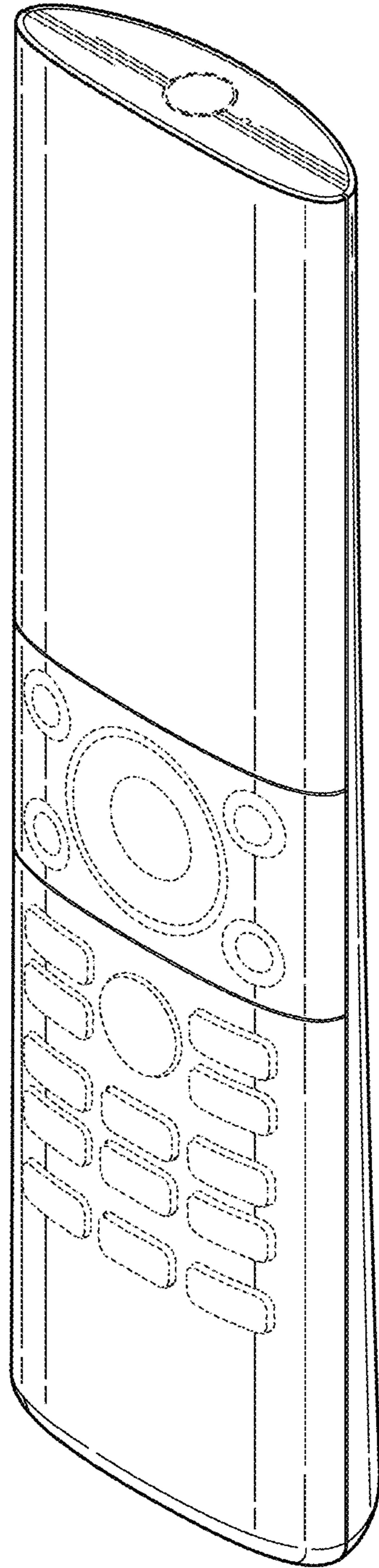


FIG. 1

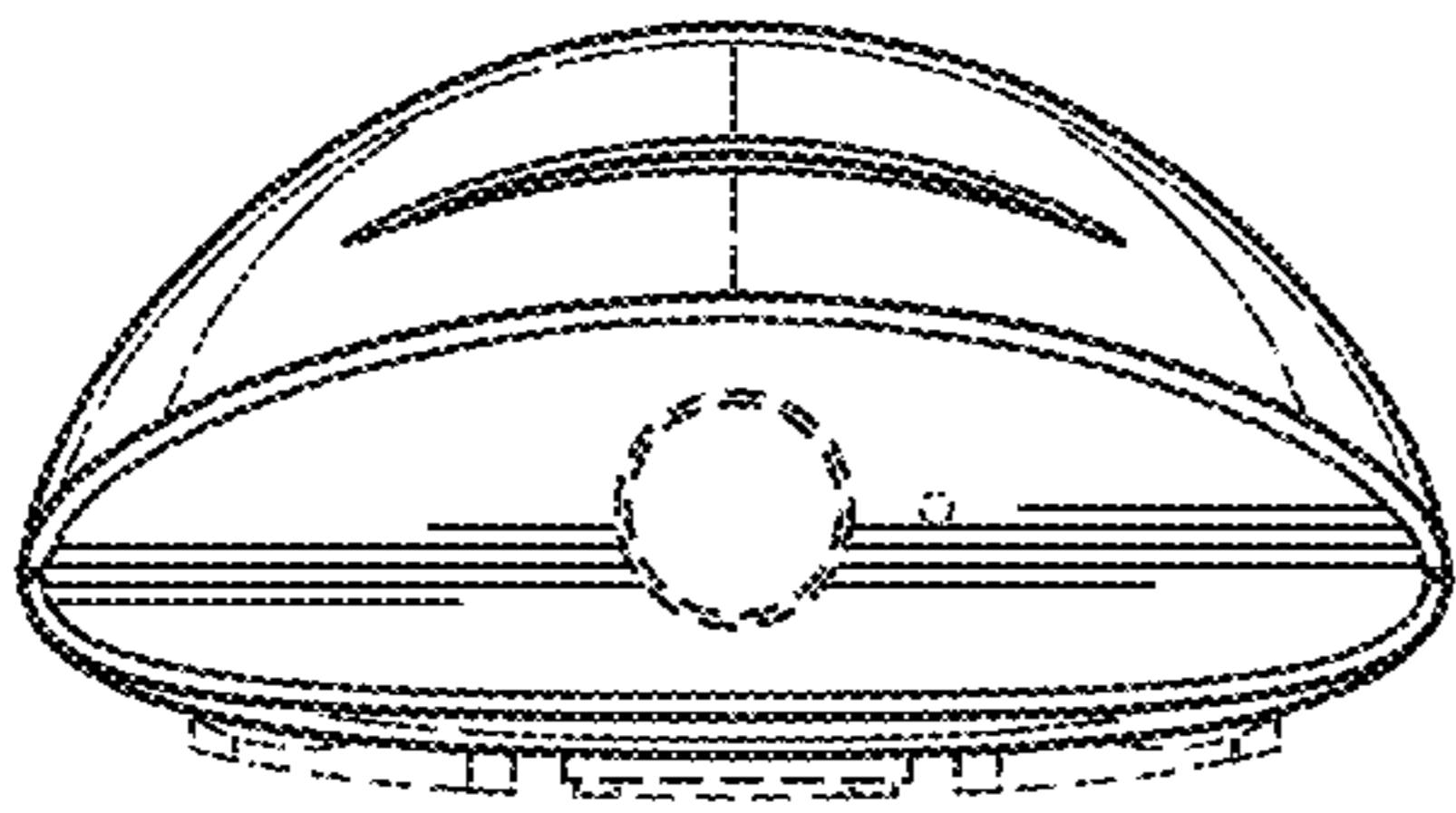


FIG. 2

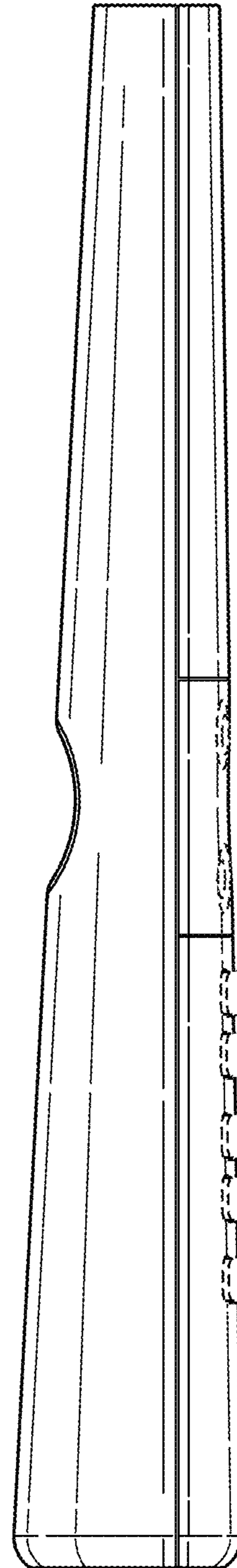


FIG. 3

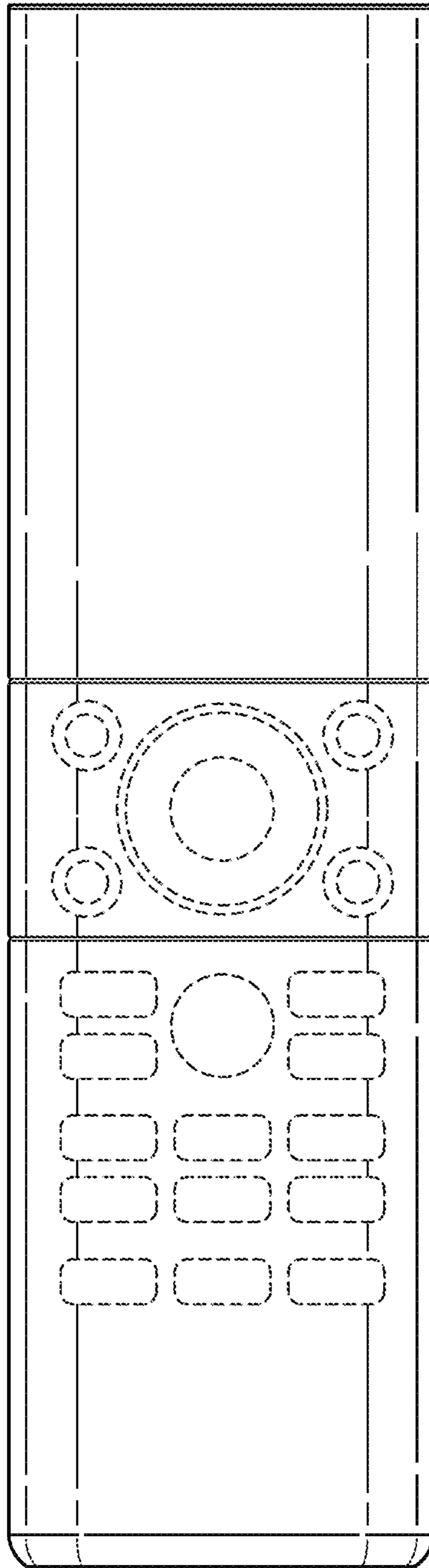


FIG. 4

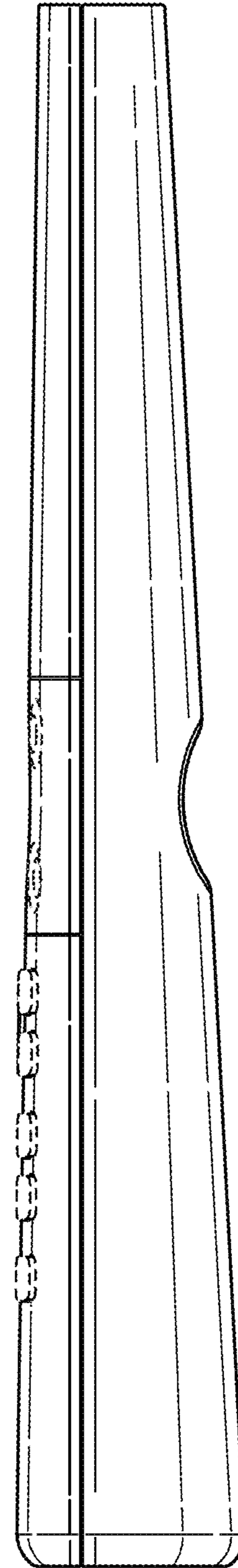


FIG. 5

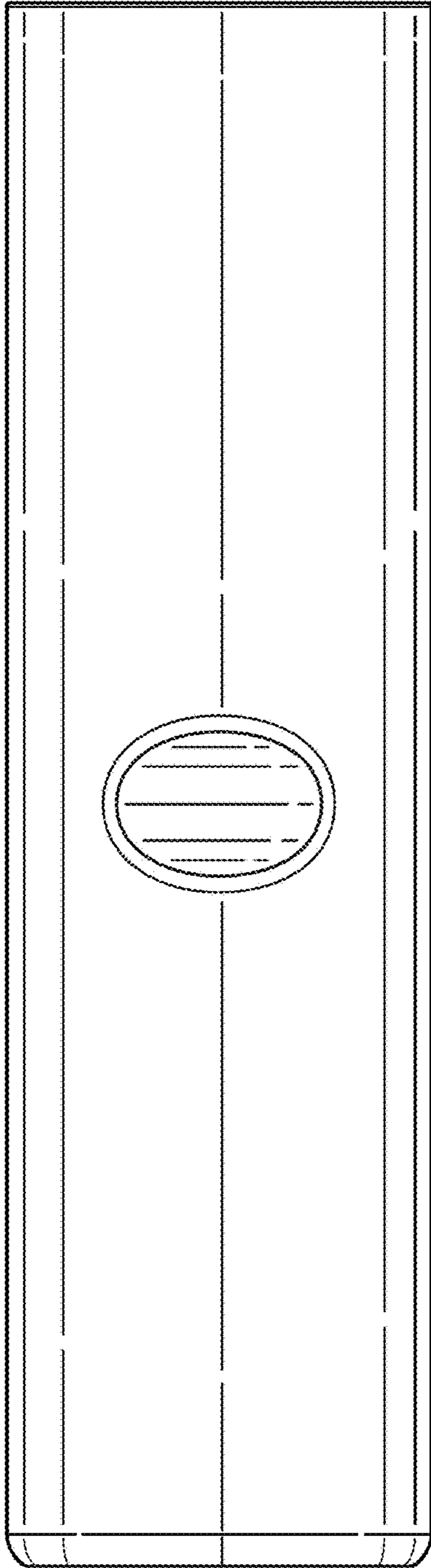


FIG. 6

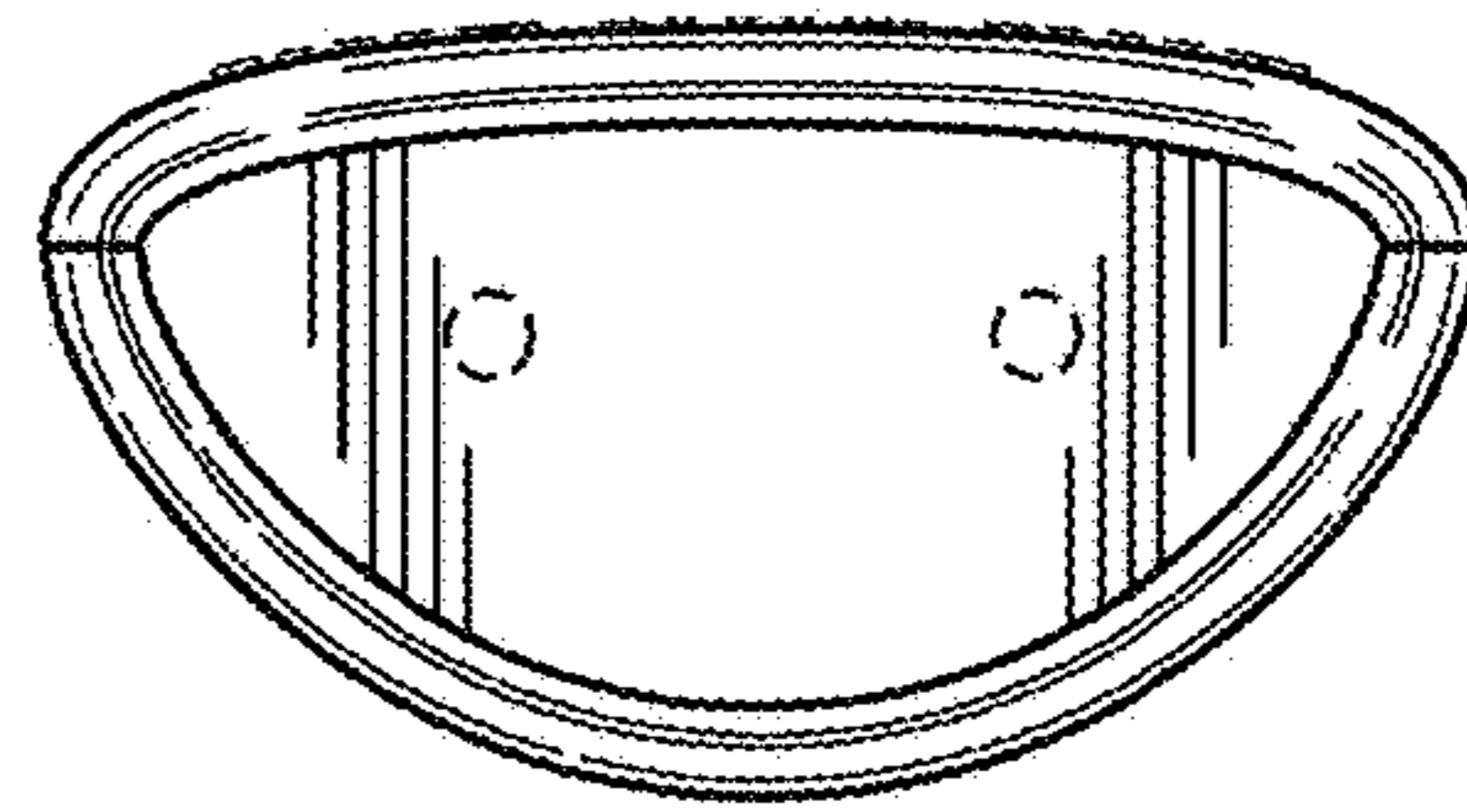


FIG. 7