



US00D812590S

(12) **United States Design Patent**
Modestine et al.

(10) **Patent No.:** **US D812,590 S**
(45) **Date of Patent:** **** Mar. 13, 2018**

(54) **WIRELESS SPEAKER**

(71) Applicant: **BOT HOME AUTOMATION, INC.**,
Santa Monica, CA (US)

(72) Inventors: **John Modestine**, Los Angeles, CA
(US); **Mark Siminoff**, Santa Monica,
CA (US); **Christopher Loew**, Palo
Alto, CA (US)

(**) Term: **15 Years**

(21) Appl. No.: **29/571,957**

(22) Filed: **Jul. 22, 2016**

(51) **LOC (11) Cl.** **14-01**

(52) **U.S. Cl.**

USPC **D14/214**; D14/213

(58) **Field of Classification Search**

USPC D14/168, 188, 194, 195, 196, 204, 210,

D14/211, 212, 213, 214, 215, 216

CPC B60R 11/0217; G06F 1/1688; G10K 9/22;

G10K 11/004; H03F 1/327; H04M 1/03;

H04M 1/035; H04N 5/642; H04N

21/4852; H04S 3/00; H04S 7/30; H04R

1/02; H04R 1/06; H04R 1/021; H04R

1/025; H04R 1/026; H04R 1/028; H04R

1/105; H04R 1/323; H04R 1/403; H04R

1/2803; H04R 1/2834; H04R 5/02; H04R

7/20; H04R 9/06; H04R 9/025; H04R

2201/021; H04R 2400/00; H04R 2400/07;

H04R 2499/11; H04R 2499/13; H04R

2499/15

See application file for complete search history.

(56) **References Cited**

U.S. PATENT DOCUMENTS

D100,131 S * 6/1936 Stevens D14/194

2,396,121 A * 3/1946 Patino C10M 3/00

312/244

D176,481 S * 12/1955 Petertil D14/194

D227,120 S * 6/1973 Schneider D14/212

D251,556 S * 4/1979 Kadota 369/11

D305,024 S * 12/1989 Nishiyori D14/131

D355,193 S * 2/1995 Irby D14/210

D409,199 S * 5/1999 Taguchi D14/217

D424,563 S * 5/2000 Schmeichel D14/188

D546,813 S * 7/2007 Lewis D14/168

D588,107 S * 3/2009 Khoo D14/215

(Continued)

OTHER PUBLICATIONS

TechCrunch—Ring’s Smart Doorbell, announced May 13, 2015
[online], [site visited Jul. 6, 2017]. Available from internet, URL:
<<https://techcrunch.com/2015/05/13/rings-smart-doorbell-gets-a-smart-speaker/>>.*

(Continued)

Primary Examiner — Keli L Hill

Assistant Examiner — Karra S Johnson

(57) **CLAIM**

The ornamental design for a wireless speaker, as shown and described.

DESCRIPTION

FIG. 1 is a front perspective view of the wireless speaker according to the present design;

FIG. 2 is a front elevational view of the wireless speaker of FIG. 1;

FIG. 3 is a rear elevational view of the wireless speaker of FIG. 1;

FIG. 4 is a right-side elevational view of the wireless speaker of FIG. 1;

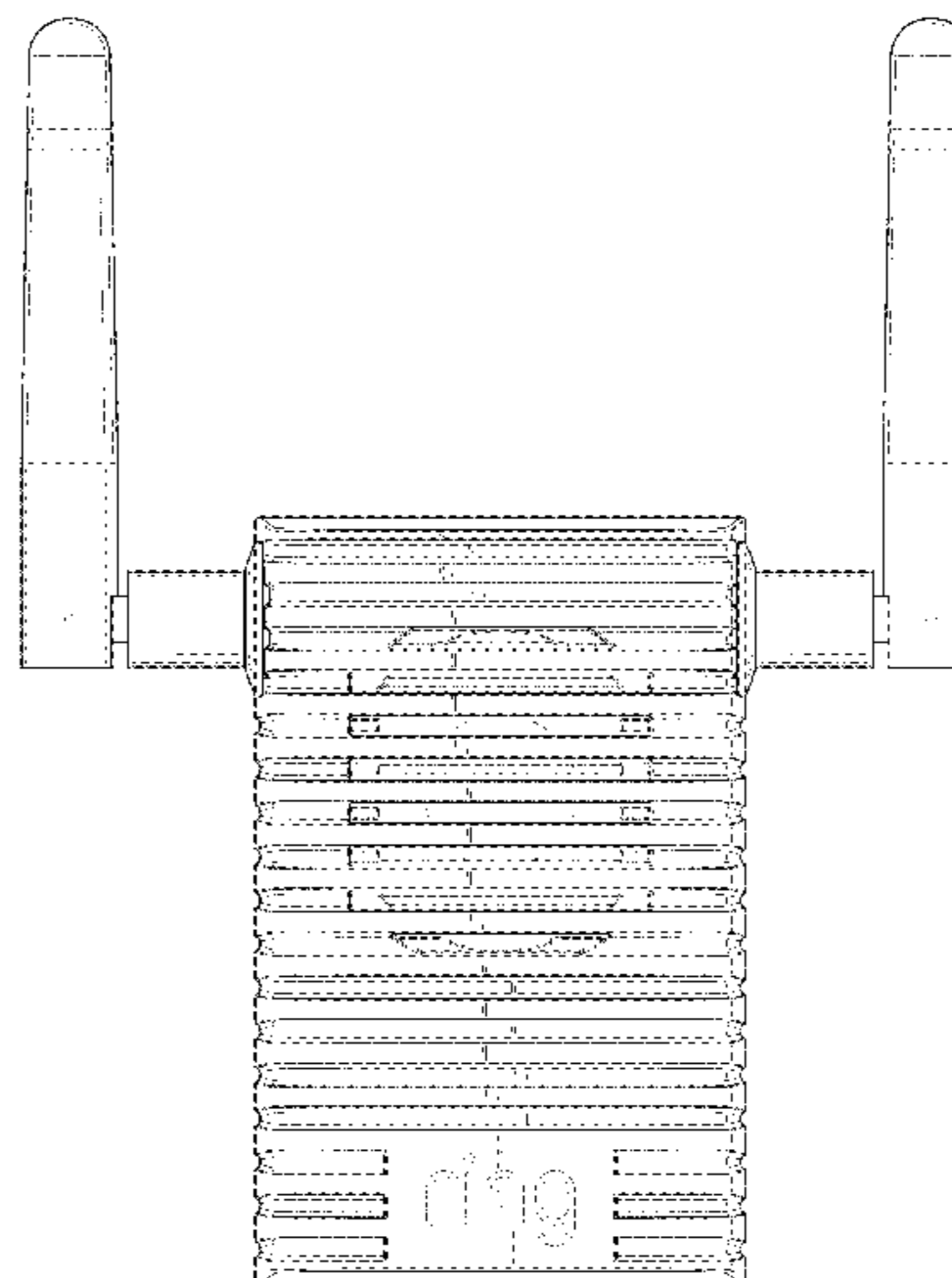
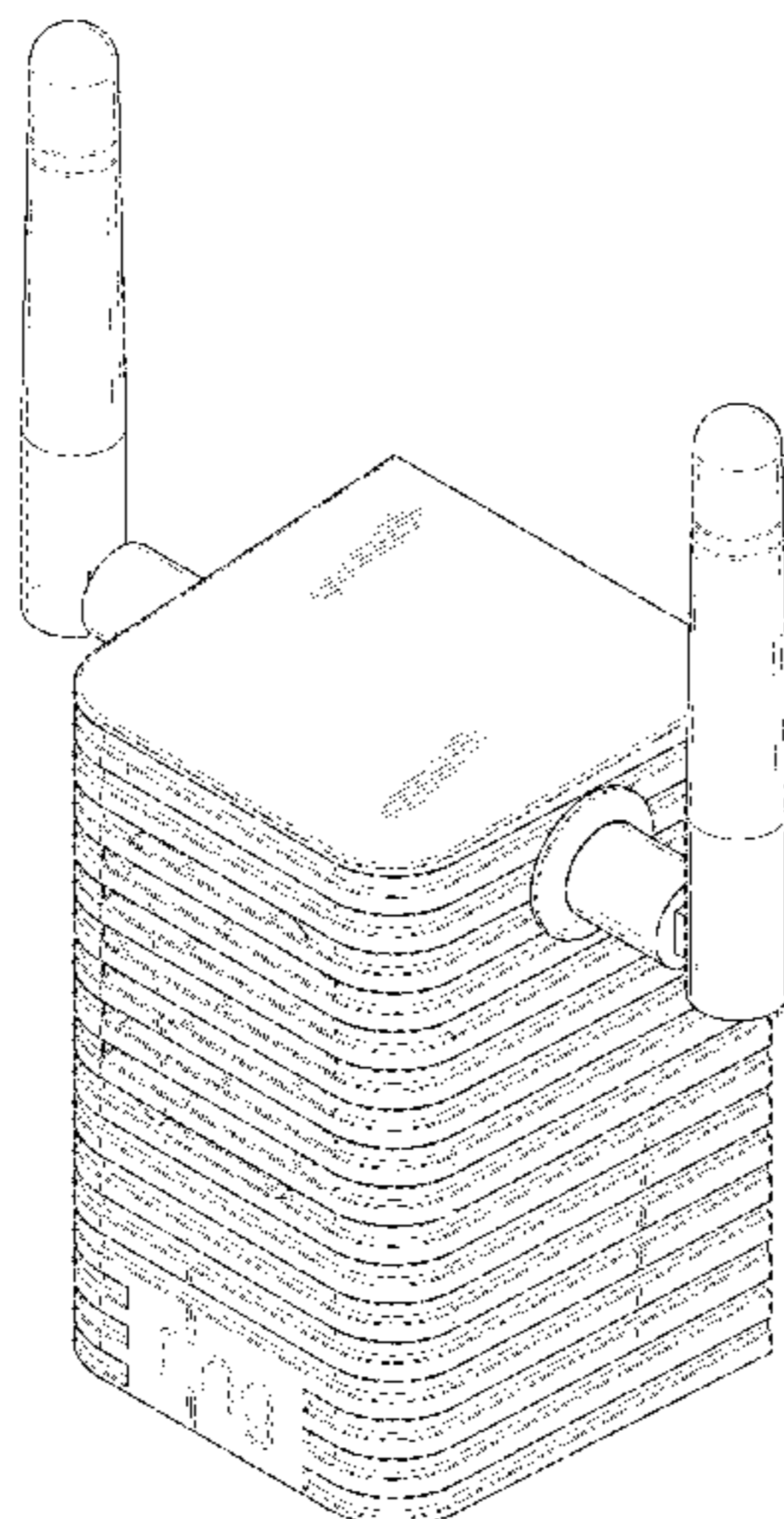
FIG. 5 is a left-side elevational view of the wireless speaker of FIG. 1;

FIG. 6 is a top plan view of the wireless speaker of FIG. 1; and,

FIG. 7 is a bottom plan view of the wireless speaker of FIG. 1.

Broken lines showing features of the wireless speaker form no part of the claimed design.

1 Claim, 7 Drawing Sheets



(56)

References Cited

U.S. PATENT DOCUMENTS

D589,029 S * 3/2009 Lee D14/207
9,386,368 B2 * 7/2016 Johansen H04R 1/326
D767,533 S * 9/2016 Mchatet D14/214
D788,061 S * 5/2017 Siminoff D10/118.2
D789,820 S * 6/2017 Siminoff D10/118.2

OTHER PUBLICATIONS

Amazon—Ring Chime Pro, announced Dec. 7, 2016 [online], [site visited Jul. 6, 2017]. Available from internet, URL: <<https://www.amazon.com/Ring-Chime-Pro-Extender-Devices/dp/B01N9EX0YR>>.*

Darrell Etherington. Ring's Smart Doorbell Gets a Smart Speaker. May 13, 2015. 6 pages. <https://techcrunch.com/2015/05/13rings-smart-doorbell-gets-a-smart-speaker/>.

Ring Video Doorbell. Internet Archive Way Back Machine. May 14, 2015. 3 pages. <https://web.archive.org/web/20150514131143/https://ring.com/chime>.

* cited by examiner

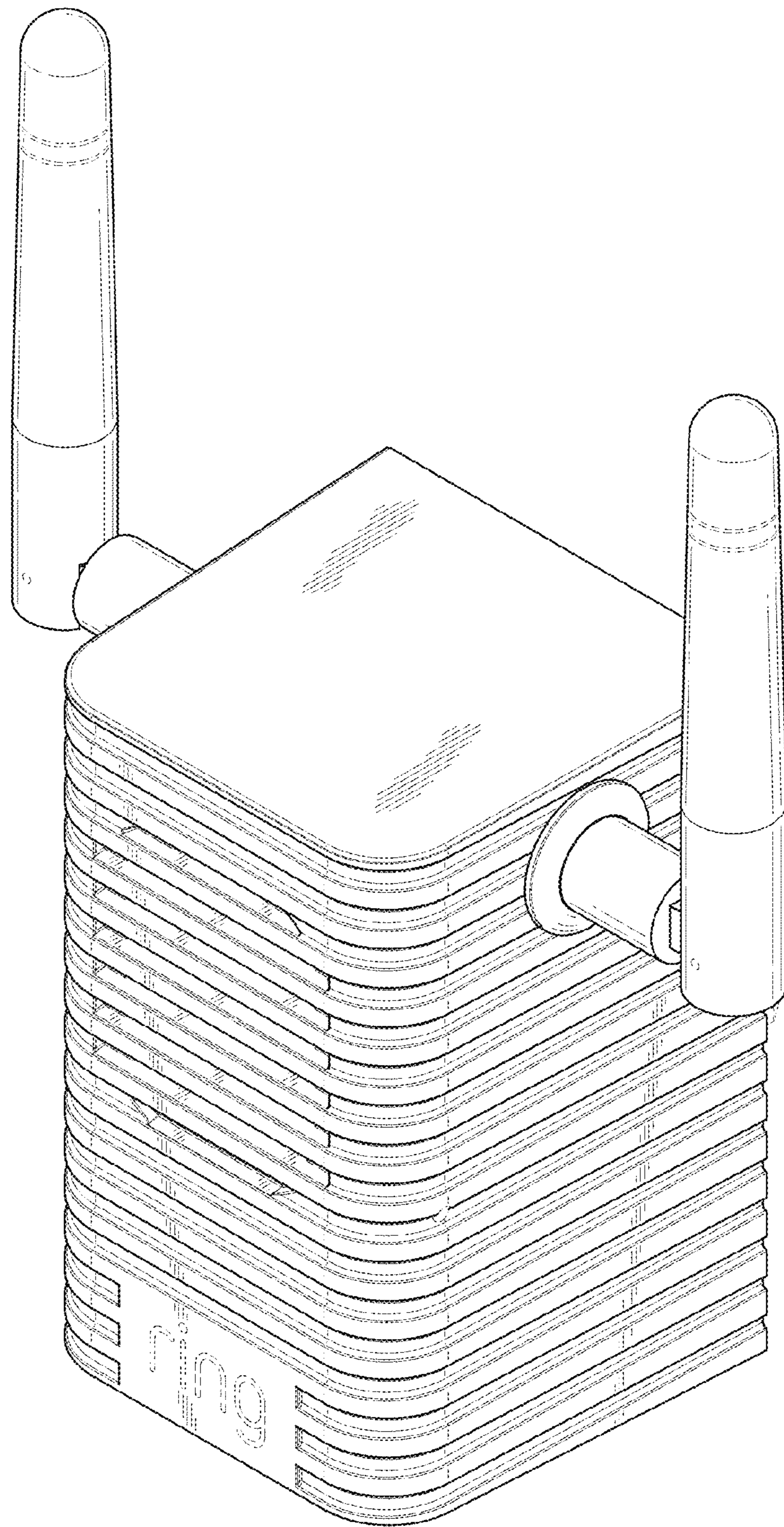


FIG. 1

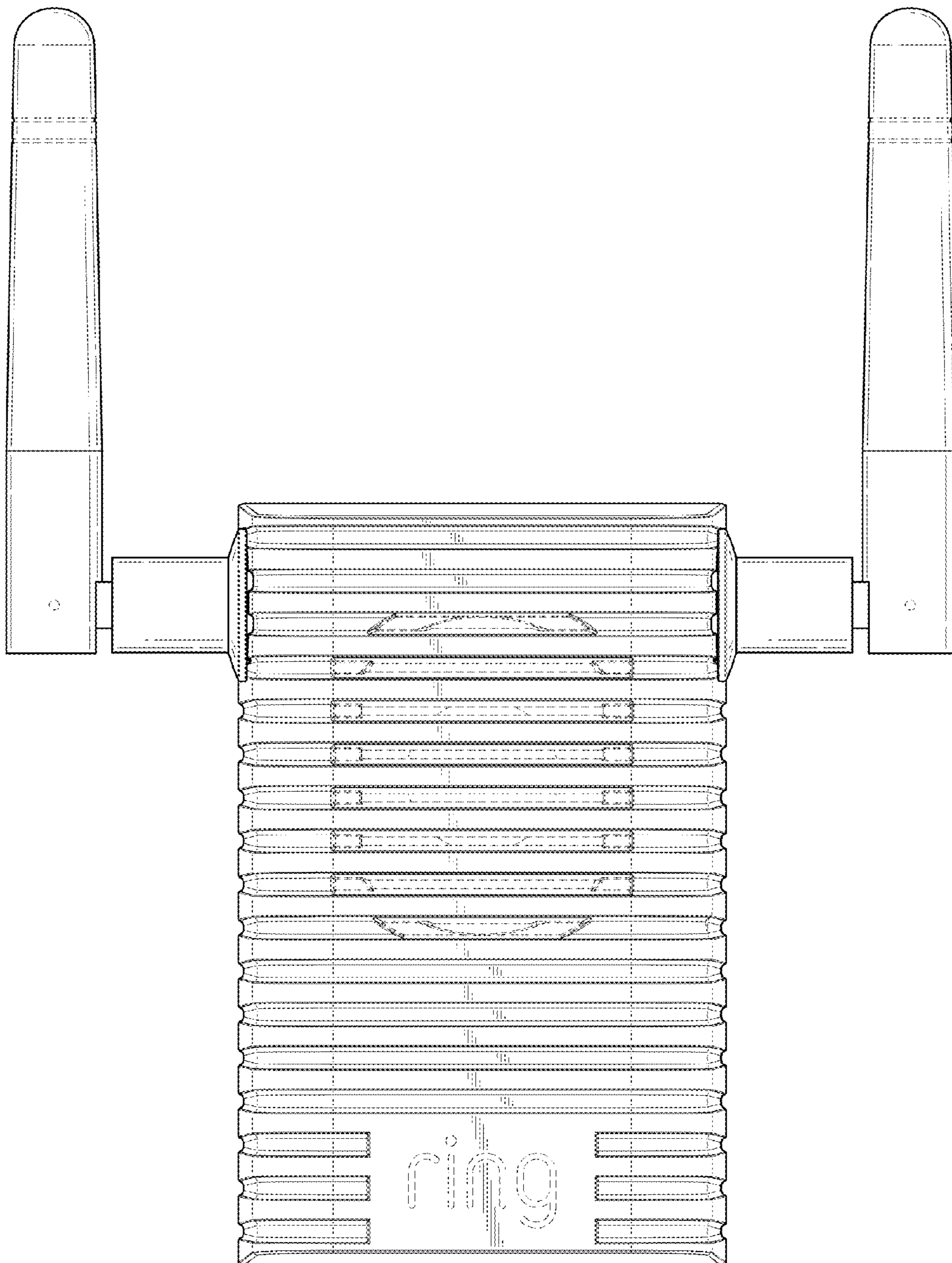


FIG. 2

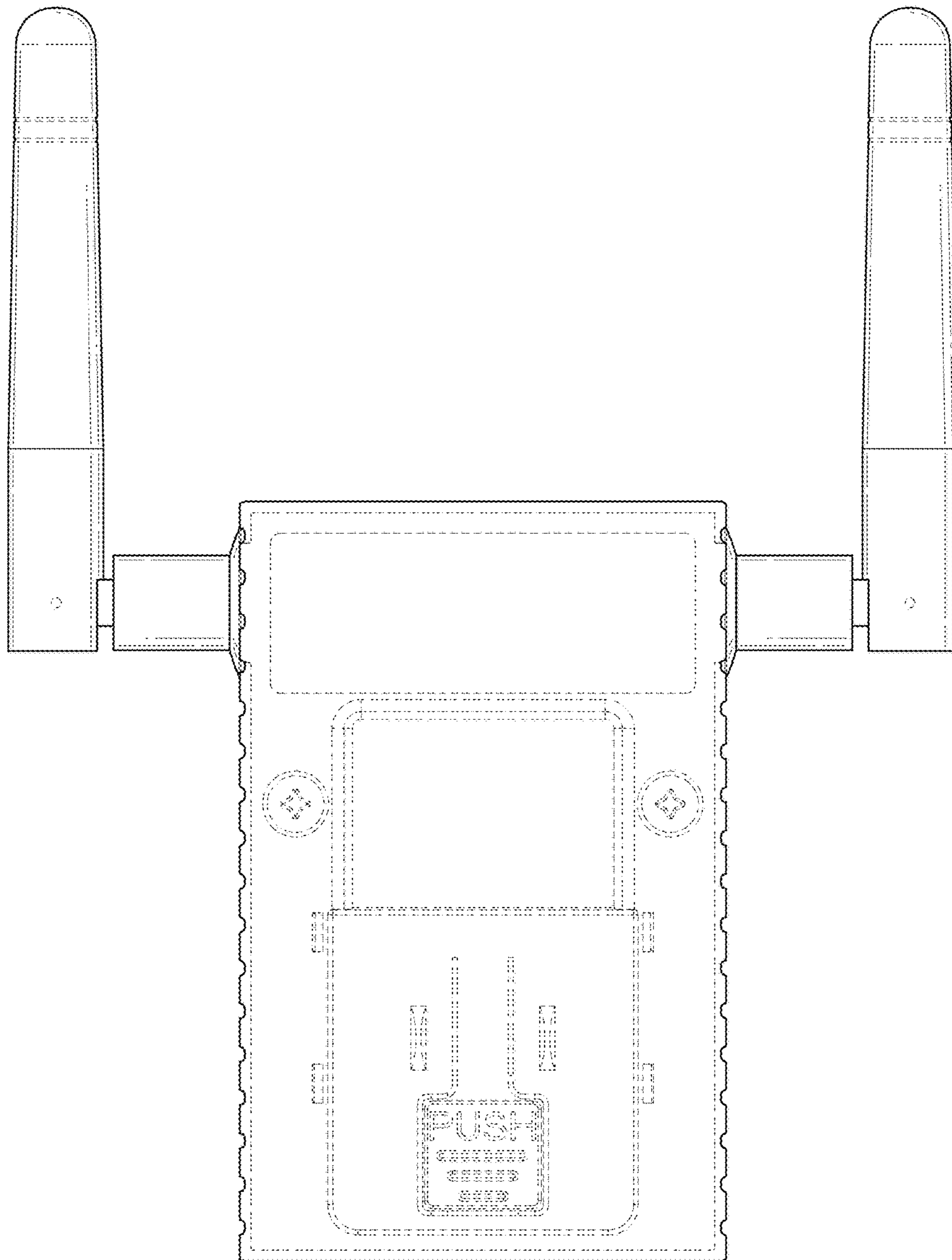


FIG. 3

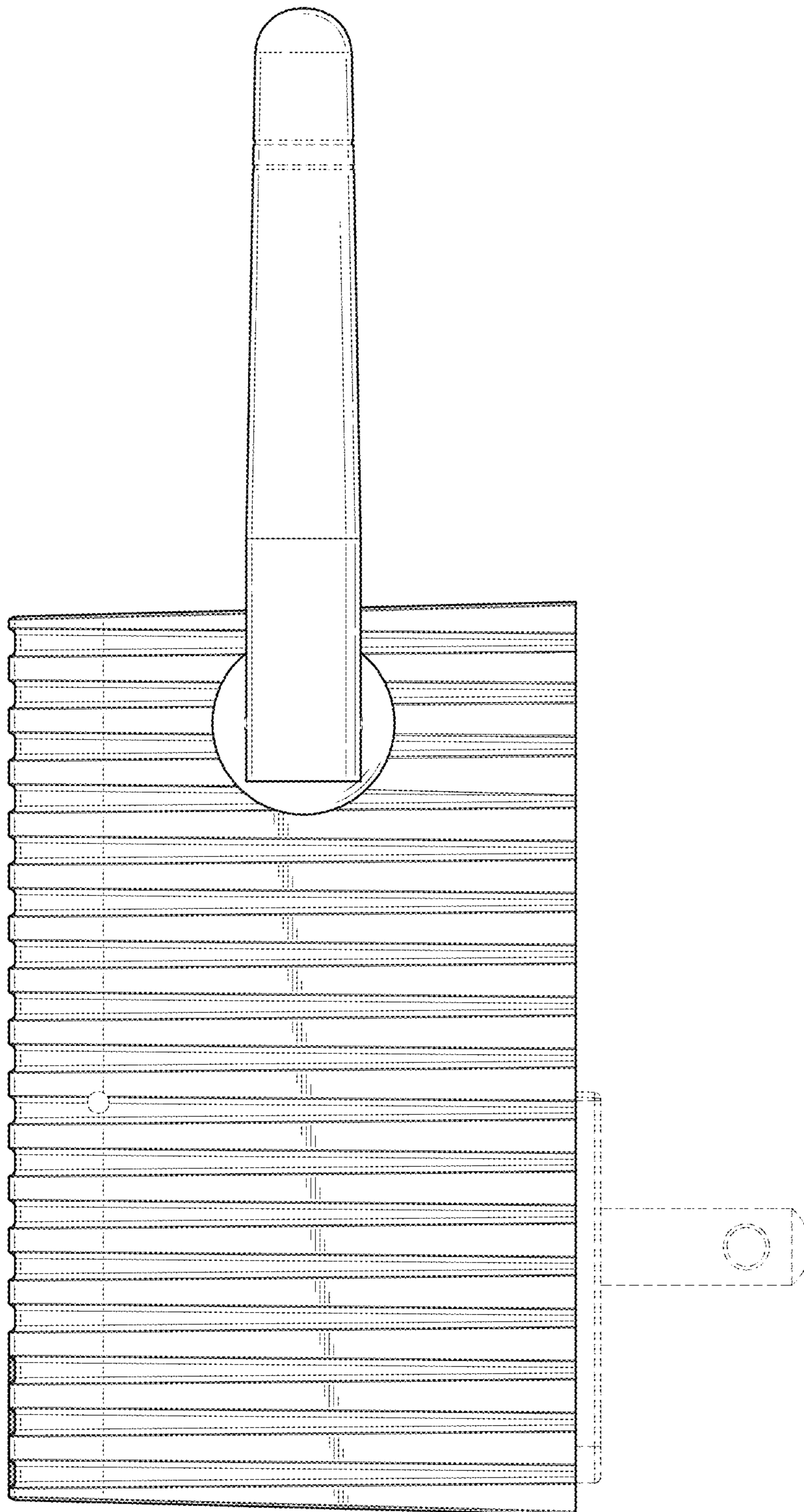


FIG. 4

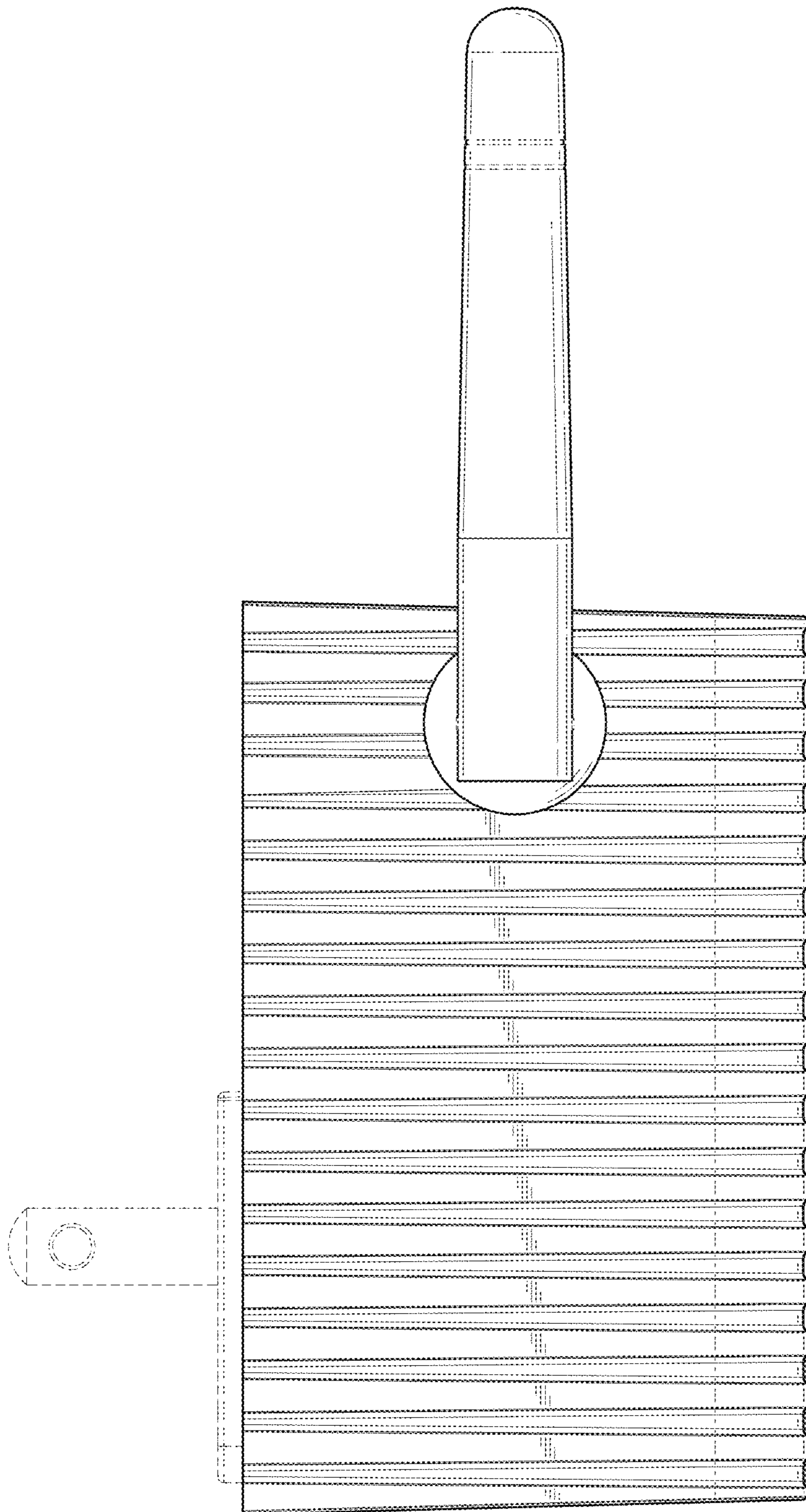


FIG. 5

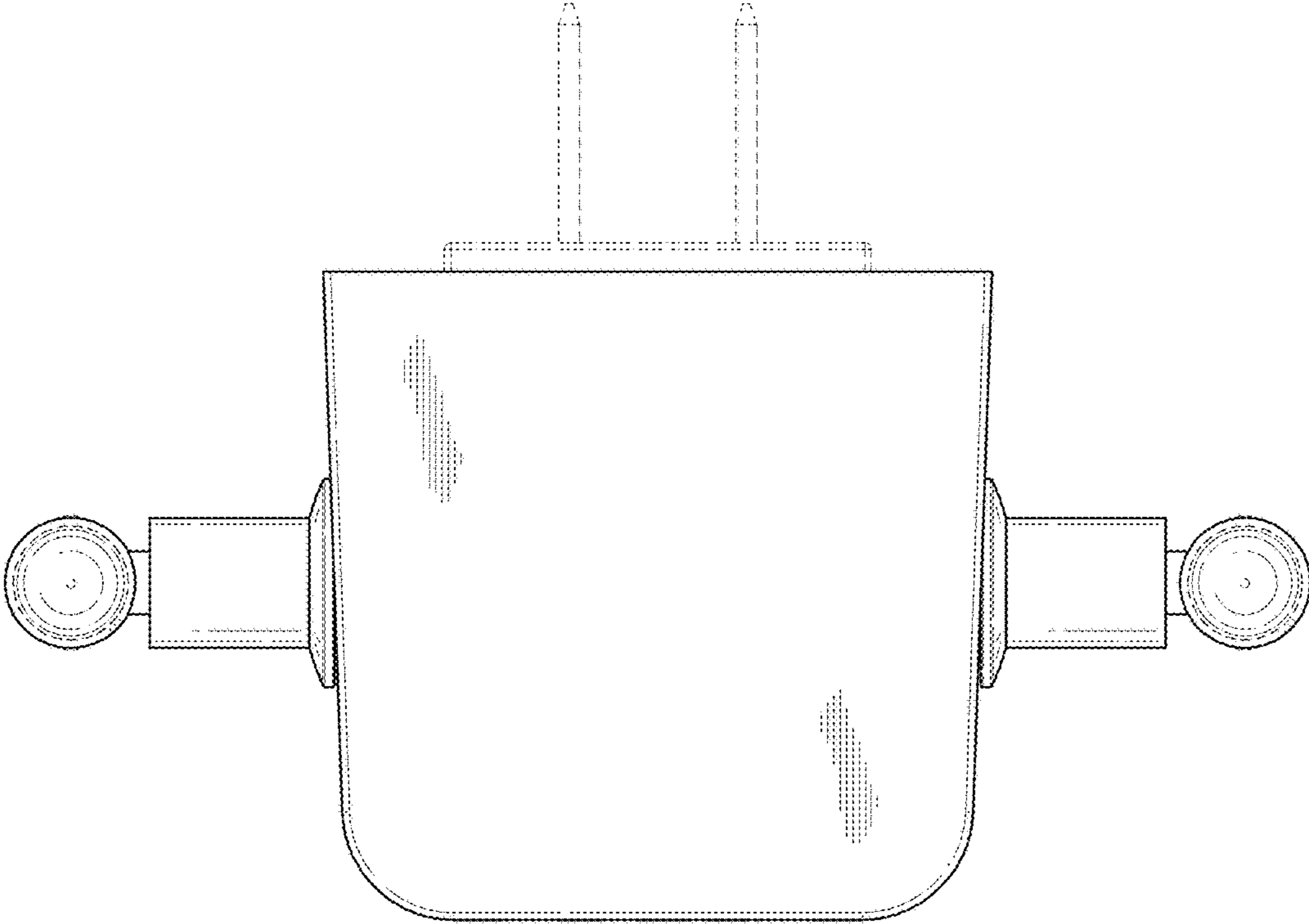


FIG. 6

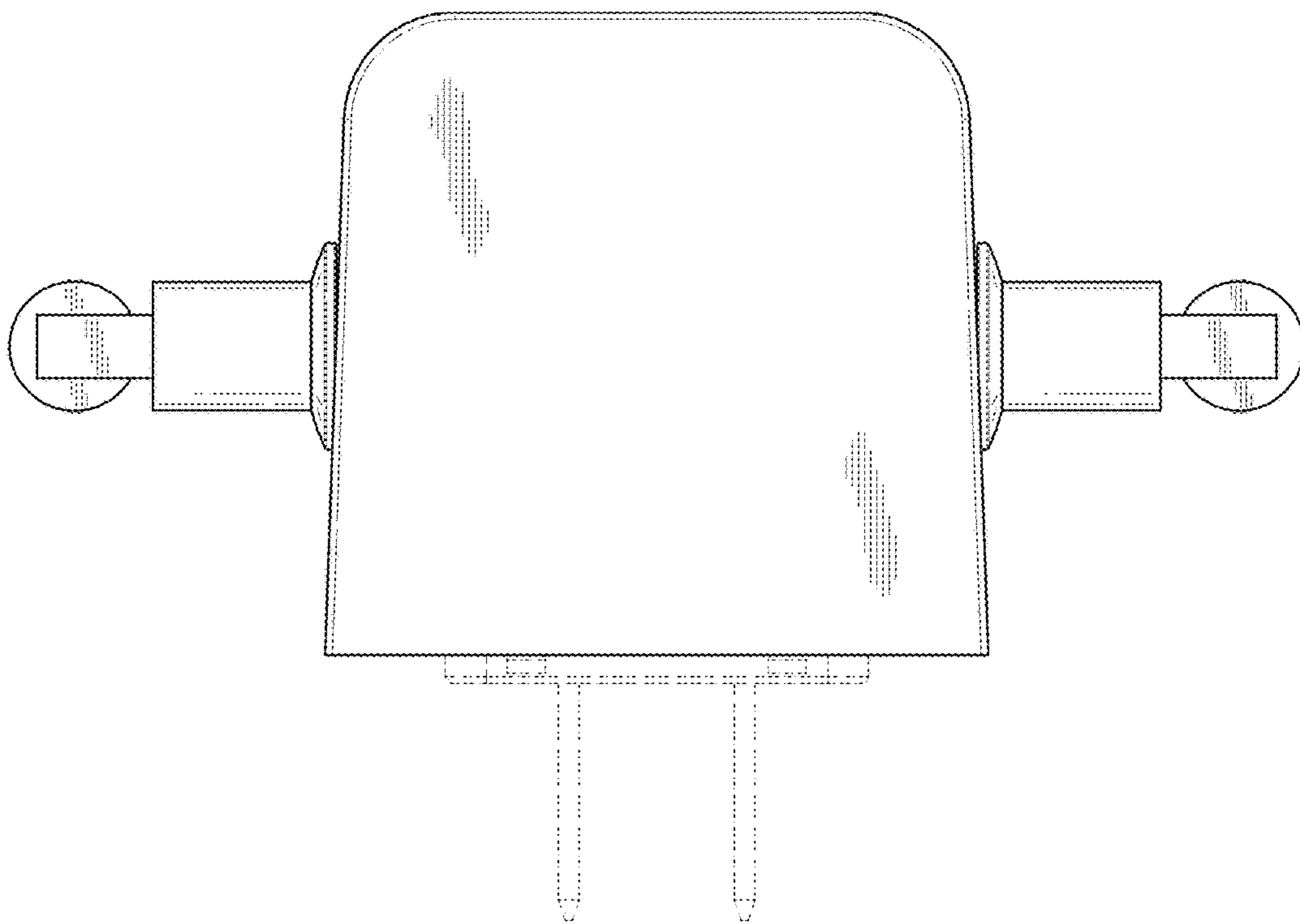


FIG. 7