



US00D812588S

(12) **United States Design Patent**
Levine

(10) **Patent No.:** **US D812,588 S**
(45) **Date of Patent:** **** Mar. 13, 2018**

- (54) **EAR-COVER BACKING PORTION OF HEADPHONE DEVICE**
- (71) Applicant: **New Audio LLC**, New York, NY (US)
- (72) Inventor: **Jonathan E. Levine**, New York, NY (US)
- (73) Assignee: **New Audio LLC**, New York, NY (US)
- (**) Term: **15 Years**
- (21) Appl. No.: **29/583,762**
- (22) Filed: **Nov. 8, 2016**

Related U.S. Application Data

- (63) Continuation of application No. 29/532,834, filed on Jul. 10, 2015, now Pat. No. Des. 772,841, which is a continuation of application No. 29/481,794, filed on Feb. 10, 2014, now Pat. No. Des. 736,174.
- (51) **LOC (11) Cl.** **14-01**
- (52) **U.S. Cl.**
USPC **D14/205**; D14/225
- (58) **Field of Classification Search**
USPC D14/205, 206, 223, 225; D29/112;
2/209; 181/129, 130, 135; 379/430, 431;
381/380, 381, 374; 455/90.3, 575.1,
455/569.1
CPC H04R 1/1066; H04R 1/1016; H04R 5/033;
H04R 5/0335; H04R 1/10
See application file for complete search history.

(56) **References Cited**

U.S. PATENT DOCUMENTS

1,483,315 A	2/1924	Saal
1,648,832 A	11/1927	Urban
1,651,623 A	12/1927	Obergfell
2,782,423 A	2/1957	Simon et al.

2,858,544 A	11/1958	Roth	
3,073,410 A	1/1963	Gongoll	
3,440,663 A	4/1969	Seguin	
3,454,964 A	7/1969	Brinkhoff	
3,488,457 A	1/1970	Lahti	
3,505,684 A	4/1970	Hutchinson	
3,562,816 A	2/1971	Hutchinson	
3,579,640 A	5/1971	Beguine	
3,593,341 A	7/1971	Aileo	
3,815,155 A	6/1974	Davison	
3,922,725 A	12/1975	Csiki	
3,984,885 A	10/1976	Yoshimura	
D244,301 S	5/1977	Besasio	
D246,519 S	* 11/1977	Kato D14/205
4,437,538 A	3/1984	Ohlsson	
4,439,645 A	3/1984	Scalzo	
4,471,496 A	9/1984	Gardner, Jr.	
4,958,697 A	9/1990	Moody	
D313,092 S	12/1990	Nilsson	
4,987,592 A	1/1991	Flagg	
D318,053 S	7/1991	Ludeke	

(Continued)

Primary Examiner — Paula Allen Greene

(74) *Attorney, Agent, or Firm* — Perkins Coie LLP

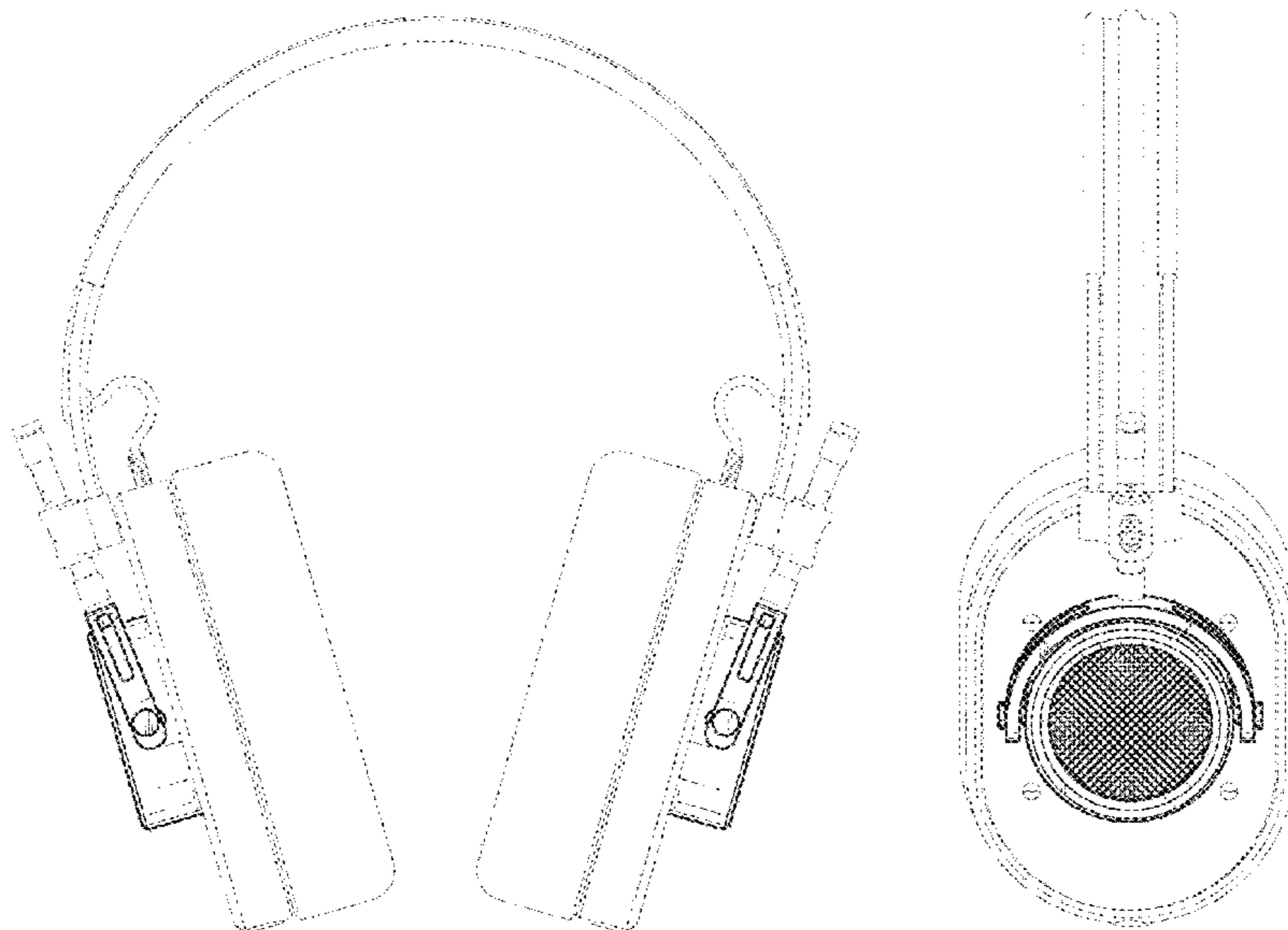
(57) **CLAIM**

The ornamental design for an ear-cover backing portion of a headphone device, as shown and described.

DESCRIPTION

FIG. 1 is a perspective view of an ear-cover backing portion of a headphone device showing my new design.
 FIG. 2 is a front elevational view thereof.
 FIG. 3 is a back elevational view thereof.
 FIG. 4 is a first side elevational view thereof.
 FIG. 5 is a second side elevational view thereof.
 FIG. 6 is a top plan view thereof; and,
 FIG. 7 is a bottom plan view thereof.
 The broken lines depict environment that forms no part of the claimed design.

1 Claim, 5 Drawing Sheets



(56)

References Cited

U.S. PATENT DOCUMENTS

5,035,005 A *	7/1991	Hung	H04M 1/05 2/209	8,098,872 B2 *	1/2012	Chang	H04R 1/1075 381/370
5,068,923 A	12/1991	Sjoqvist		D657,344 S	4/2012	Brunner	
D328,461 S	8/1992	Daido		D662,080 S *	6/2012	Carr	D14/205
5,144,678 A	9/1992	Lenz		8,213,644 B2 *	7/2012	Choi	H04R 9/06 381/151
5,384,857 A	1/1995	Nordin		D666,579 S *	9/2012	Hou	D14/205
5,406,037 A	4/1995	Nageno		8,325,962 B2 *	12/2012	Ishida	H04R 5/0335 381/370
5,420,381 A	5/1995	Gardner, Jr.		D677,243 S *	3/2013	Kitayama	D14/205
5,438,626 A *	8/1995	Neuman	H04R 5/0335 381/370	D680,999 S *	4/2013	Chan	D14/158
D410,466 S	6/1999	Mouri et al.		8,737,668 B1 *	5/2014	Blair	H04R 1/1066 381/378
5,970,160 A	10/1999	Nilsson		D706,241 S	6/2014	Szymanski	
5,996,123 A	12/1999	Leight		8,755,555 B2	6/2014	Dougherty	
D432,522 S *	10/2000	Kieltyka	D14/214	D712,872 S *	9/2014	Yuen	D14/205
D435,249 S *	12/2000	Yasutomi	D14/205	D721,052 S	1/2015	Carr	
6,263,085 B1 *	7/2001	Weffer	H04R 1/1075 379/430	D727,280 S	4/2015	Levine	
6,392,196 B1 *	5/2002	Lin	A61F 11/14 2/209	D727,281 S	4/2015	Levine	
6,449,806 B1	9/2002	Engelhard		D728,512 S *	5/2015	Nakagawa	D14/205
D476,639 S	7/2003	Bergeron		D729,194 S *	5/2015	Boeckel	D14/205
D512,708 S	12/2005	Harris, Jr.		D736,174 S	8/2015	Levine	
7,245,735 B2	7/2007	Han		D736,175 S	8/2015	Levine	
D563,382 S	3/2008	Wikel		D737,799 S	9/2015	Carr	
D567,215 S *	4/2008	Lee	D14/205	D741,842 S	10/2015	Levine	
7,388,960 B2 *	6/2008	Kuo	H04R 1/1041 379/430	D746,790 S	1/2016	Strasberg	
7,391,878 B2 *	6/2008	Liao	H04R 5/033 381/370	D762,191 S *	7/2016	Levine	D14/205
D573,581 S	7/2008	Gondo		D765,055 S *	8/2016	Hsieh	D14/205
D576,604 S	9/2008	Suzuki		D768,110 S *	10/2016	Suzuki	D14/205
D581,394 S	11/2008	Lee		D772,841 S *	11/2016	Levine	D14/205
D588,100 S	3/2009	Densho		D780,155 S *	2/2017	Levine	D14/205
D594,847 S *	6/2009	Suzuki	D14/205	D782,995 S *	4/2017	Matthews	D14/205
D616,865 S	6/2010	Marchand		D789,327 S *	6/2017	Miyake	D14/205
D620,474 S	7/2010	Komiyama		D792,376 S *	7/2017	Morimoto	D14/205
D635,958 S *	4/2011	Ando	D14/205	D795,218 S *	8/2017	Ohmachi	D14/205
D639,776 S	6/2011	Arimoto		2005/0105755 A1 *	5/2005	Yueh	H04R 1/1041 381/371
D652,021 S *	1/2012	Miyawaki	D14/216	2008/0056525 A1 *	3/2008	Fujiwara	H04R 1/1033 381/374
D652,022 S *	1/2012	Miyawaki	D14/216	2010/0177907 A1 *	7/2010	Morisawa	H04R 1/1066 381/74
				2017/0041696 A1 *	2/2017	Levine	H04R 1/1033
				2017/0041697 A1 *	2/2017	Levine	H04R 1/1033

* cited by examiner

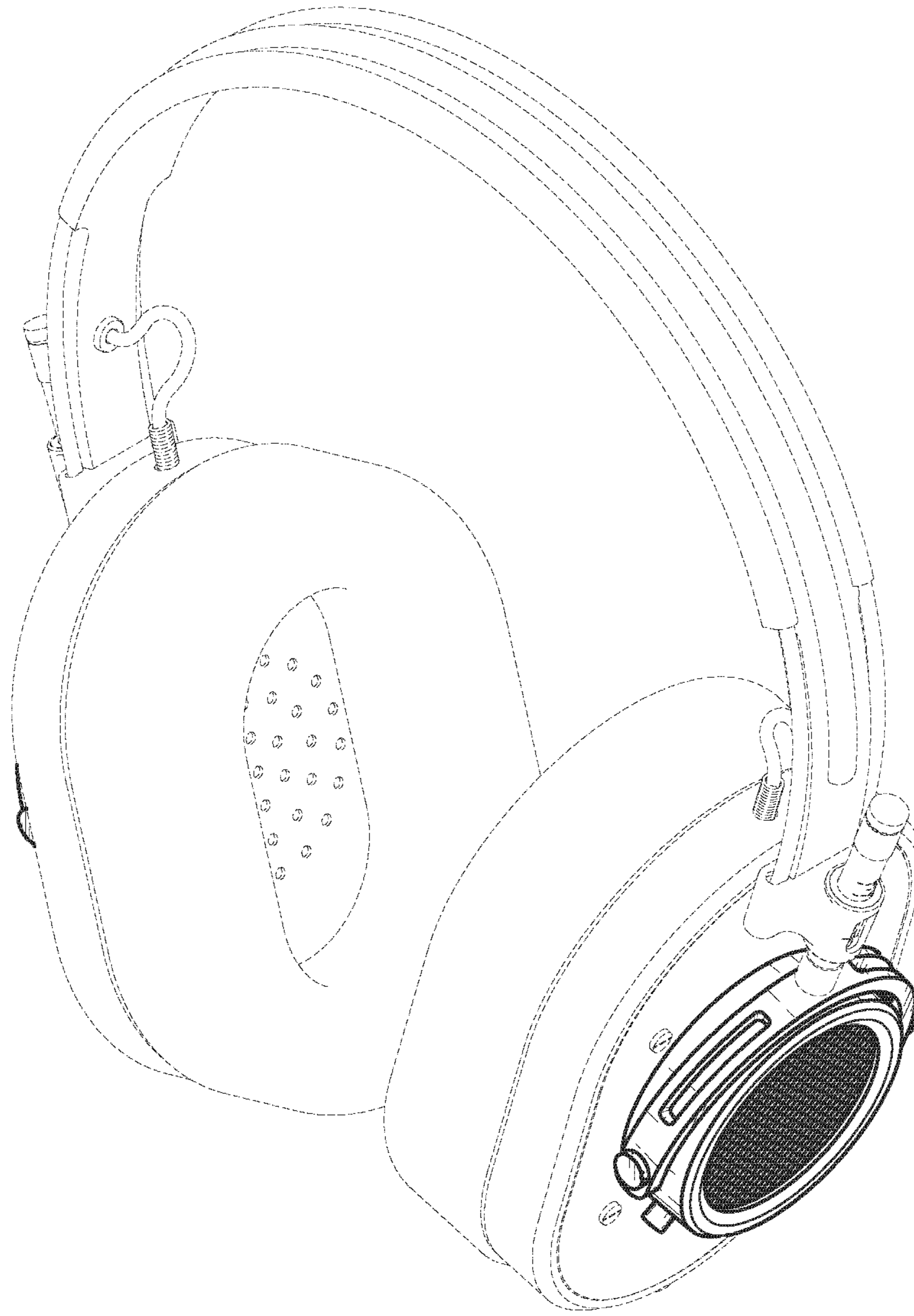


Fig. 1



Fig. 2



Fig. 3

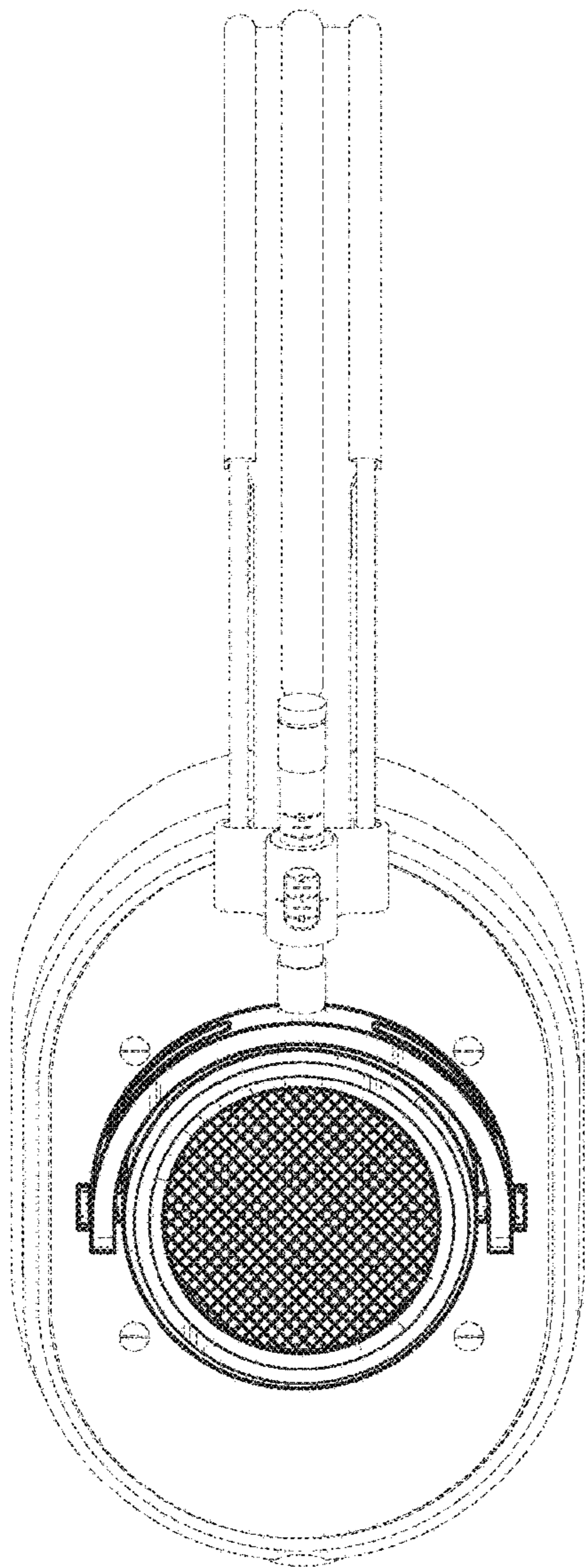


Fig. 4

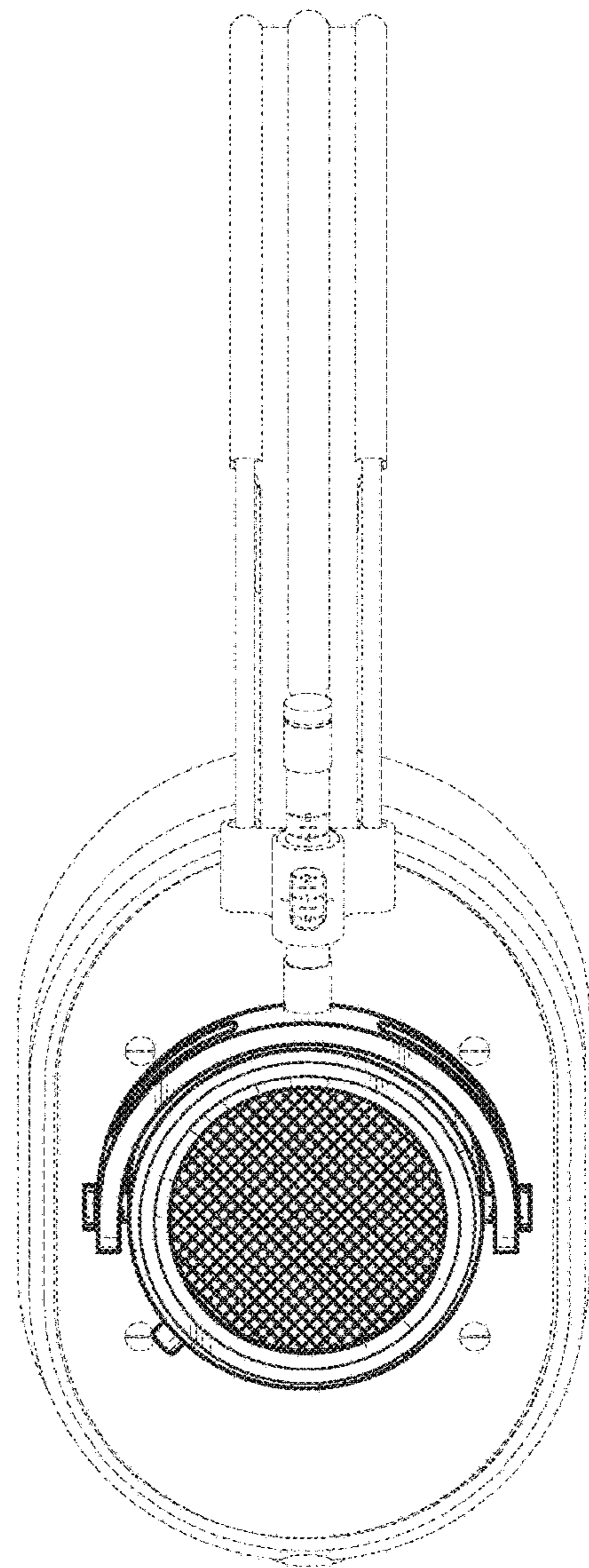


Fig. 5

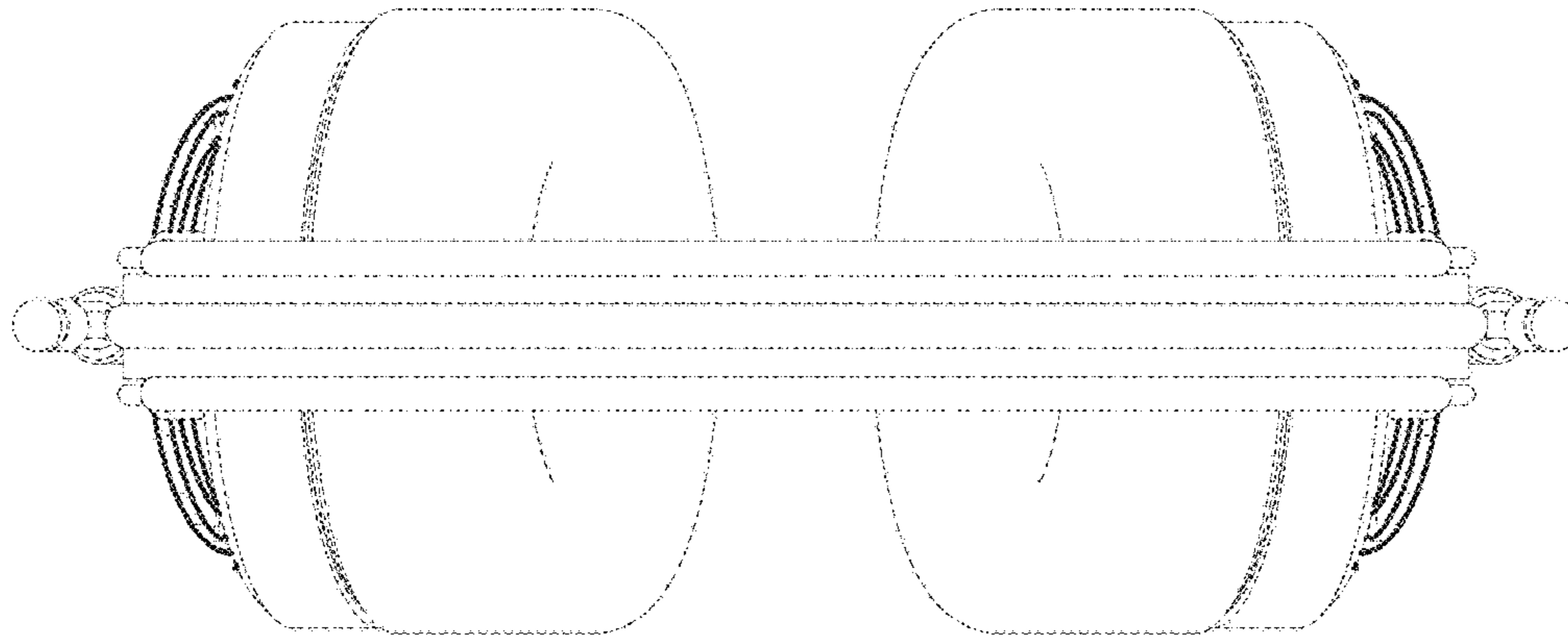


Fig. 6

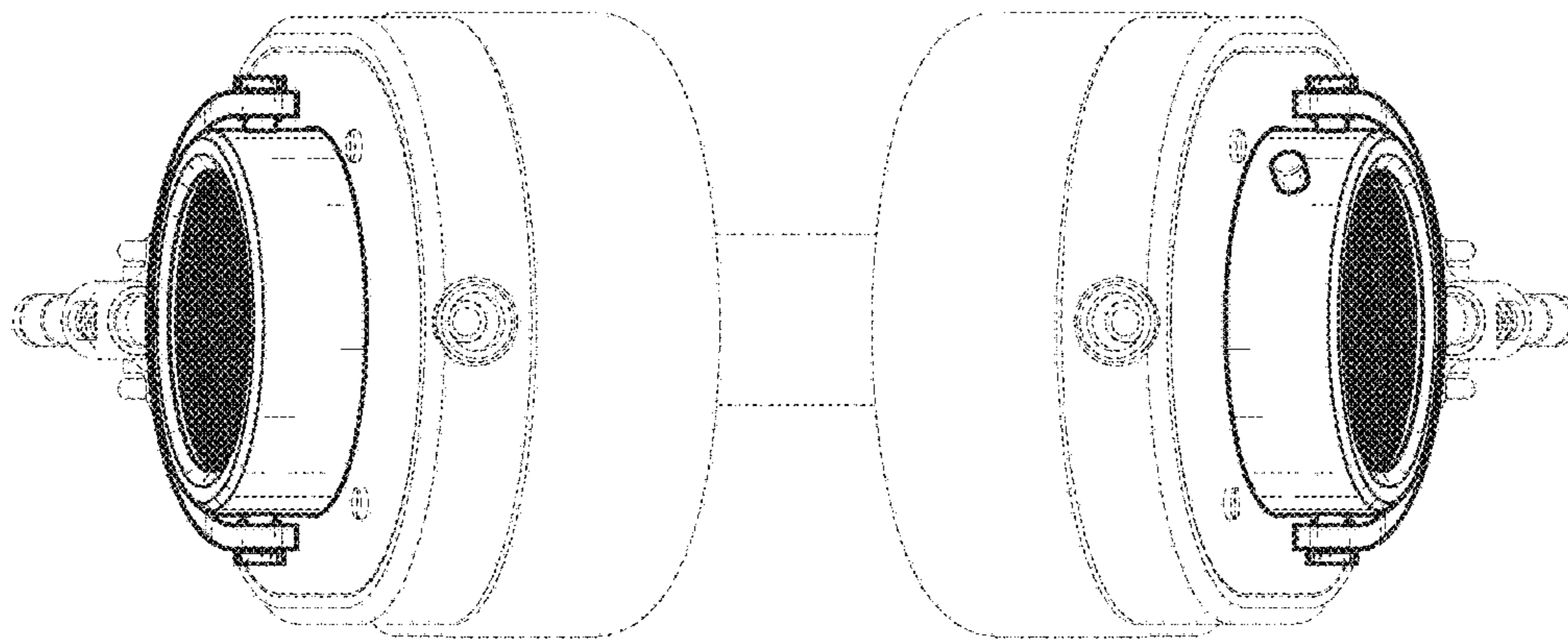


Fig. 7