



US00D812581S

(12) **United States Design Patent**
Song et al.

(10) **Patent No.:** **US D812,581 S**
(45) **Date of Patent:** **** Mar. 13, 2018**

(54) **TELEVISION RECEIVER**
(71) Applicant: **LG DISPLAY CO., LTD.**, Seoul (KR)
(72) Inventors: **Hyun Jin Song**, Jeonju-si (KR); **Ji Woon Min**, Paju-si (KR); **Young Nam Lee**, Incheon (KR); **Jin Ho Choi**, Paju-si (KR); **Il Yong Kim**, Daejeon (KR); **Jang Hyun Cho**, Seoul (KR)
(73) Assignee: **LG DISPLAY CO., LTD.**, Seoul (KR)
(**) Term: **15 Years**

D765,615 S * 9/2016 Kim D14/126
D785,583 S * 5/2017 Muller D14/126
D786,261 S * 5/2017 Harris D14/448

* cited by examiner

Primary Examiner — Michael A Pratt
(74) *Attorney, Agent, or Firm* — Birch, Stewart, Kolasch & Birch, LLP

(21) Appl. No.: **35/501,942**
(22) Filed: **May 19, 2016**

(80) **Hague Agreement Data**
Int. Filing Date: **May 19, 2016**
Int. Reg. No.: **DM/091185**
Int. Reg. Date: **May 19, 2016**
Int. Reg. Pub. Date: **Nov. 25, 2016**

(30) **Foreign Application Priority Data**
Nov. 19, 2015 (KR) 30-2015-0058363
(51) **LOC (11) Cl.** **14-03**
(52) **U.S. Cl.**
USPC **D14/126**
(58) **Field of Classification Search**
USPC D14/126, 127, 128, 336, 448
CPC ... G06F 1/1601; G06F 1/1643; H05K 5/0004;
H05K 5/0017; H05K 5/02; H05K 5/0217
See application file for complete search history.

(56) **References Cited**
U.S. PATENT DOCUMENTS

D687,431 S * 8/2013 Landis D14/336
D734,282 S * 7/2015 Shin D14/126

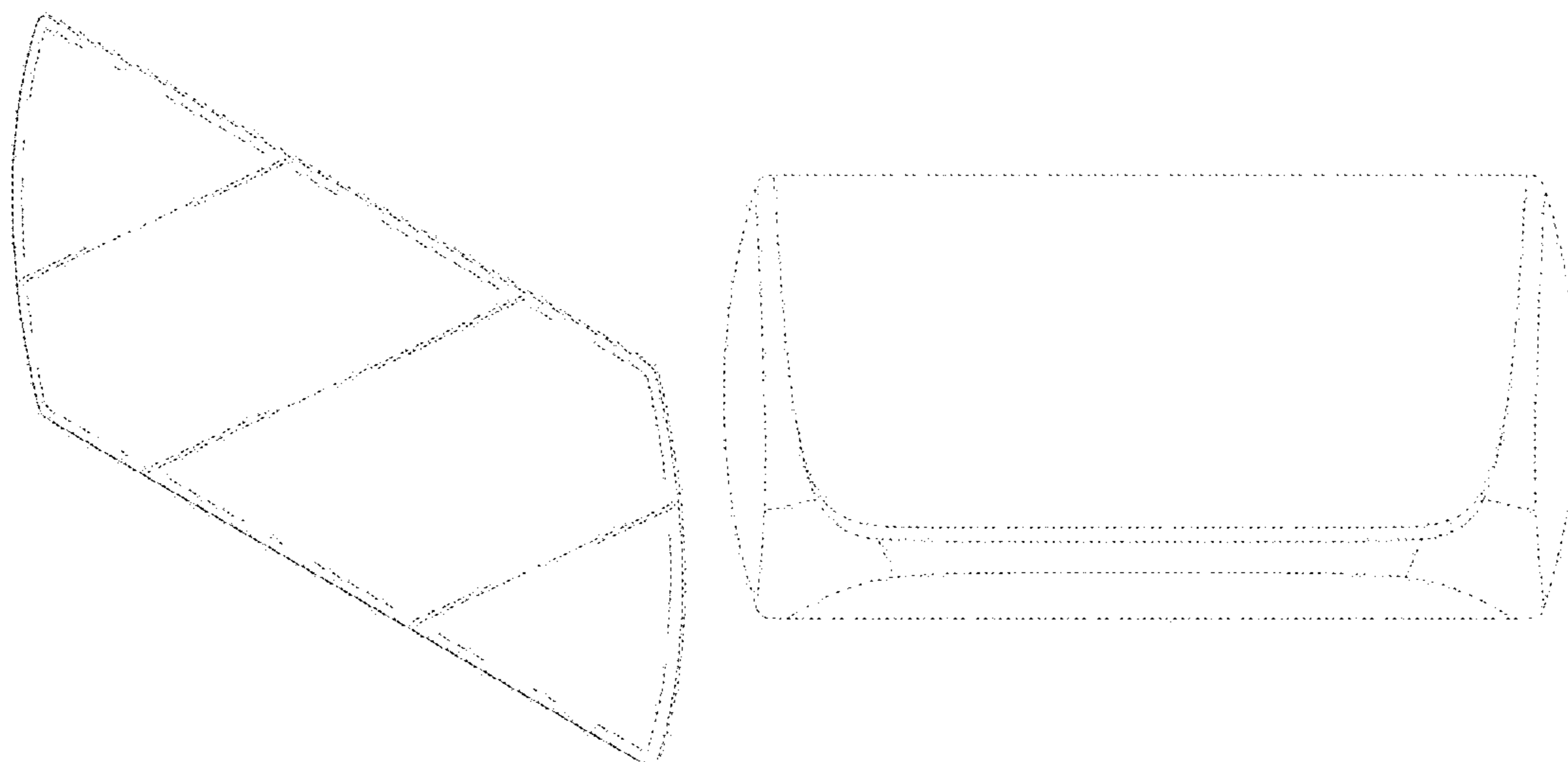
(57) **CLAIM**
The ornamental design for a television receiver, as shown and described.

DESCRIPTION

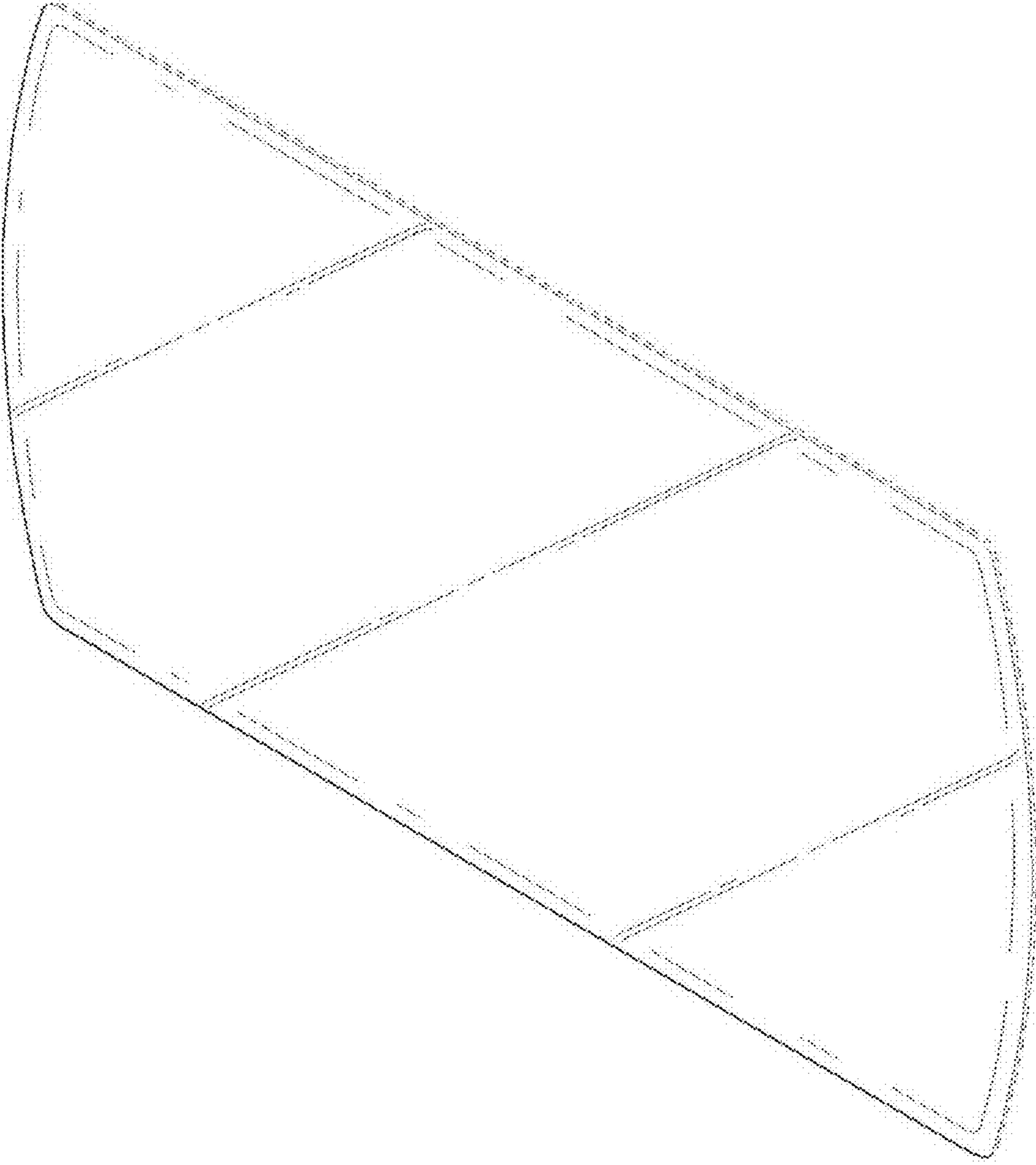
- 1. Television receiver
- 1.1 : Perspective
- 1.2 : Front
- 1.3 : Back
- 1.4 : Left
- 1.5 : Top
- 1.6 : Bottom
- 1.7 : Back perspective view
- 1.8 : Reference view 1
- 1.9 : Reference view 2
- 1.10 : Reference view 3

The broken lines depict portions of the television receiver that form no part of the claimed design; the reproduction 1.1 is a perspective view of the television receiver; the reproduction 1.2 is a front view thereof; the reproduction 1.3 is a back view thereof; the reproduction 1.4 is a left side view thereof where the right side view is a mirror image; the reproduction 1.5 is a top plan view thereof; the reproduction 1.6 is a bottom plan view thereof; the reproduction 1.7 is a back perspective view thereof; the reproduction 1.8 is a reference view showing an example of the usage of the design; the reproduction 1.9 is another reference view showing an example of the usage of the design; the reproduction 1.10 is the other reference view showing an example of the usage of the design.

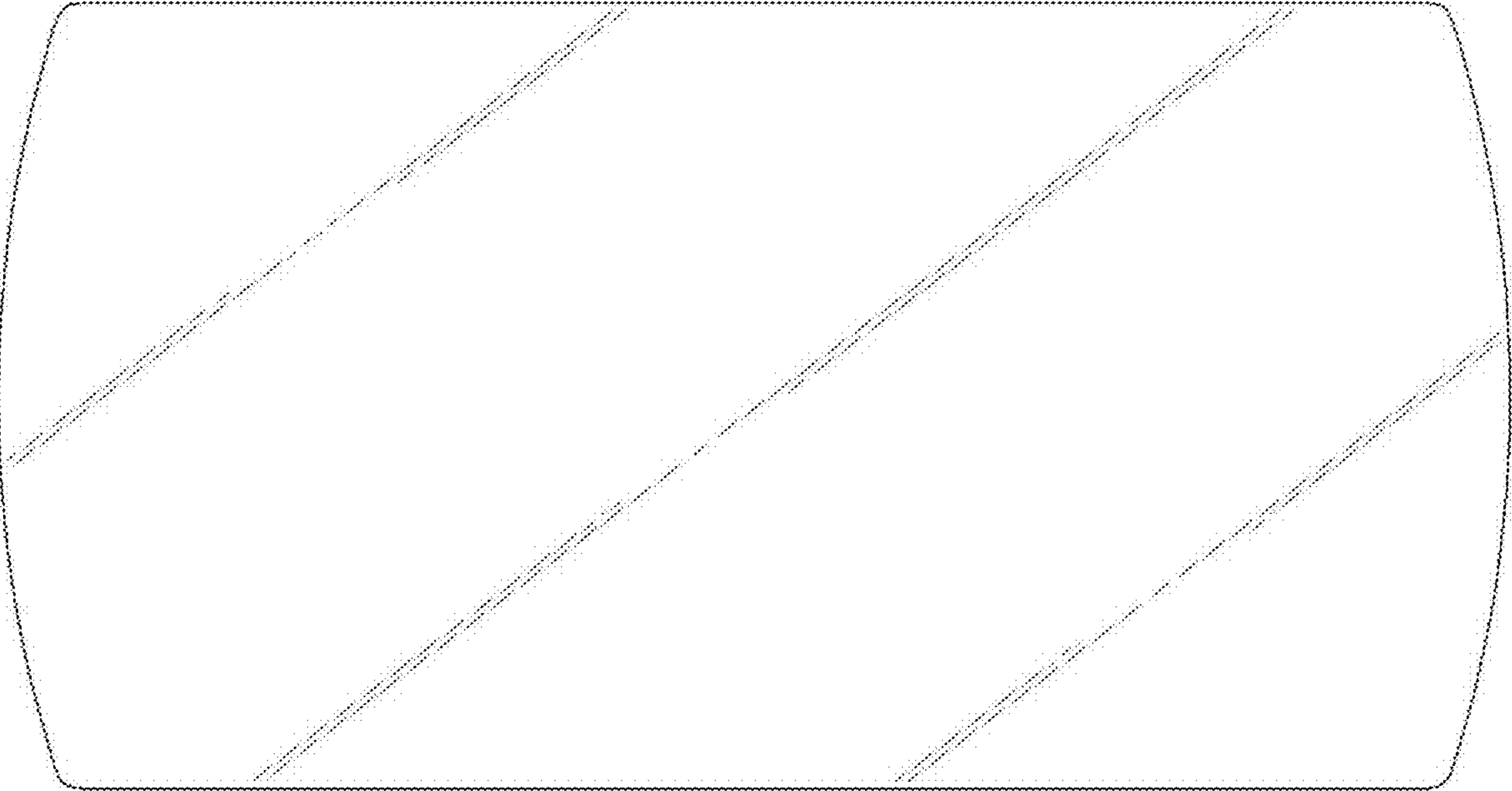
1 Claim, 10 Drawing Sheets



1.1



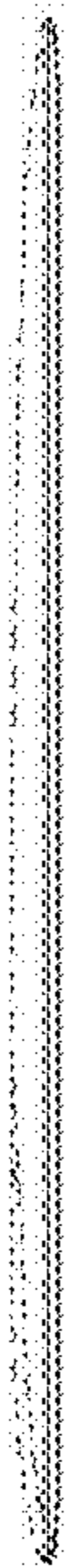
1.2



1.3



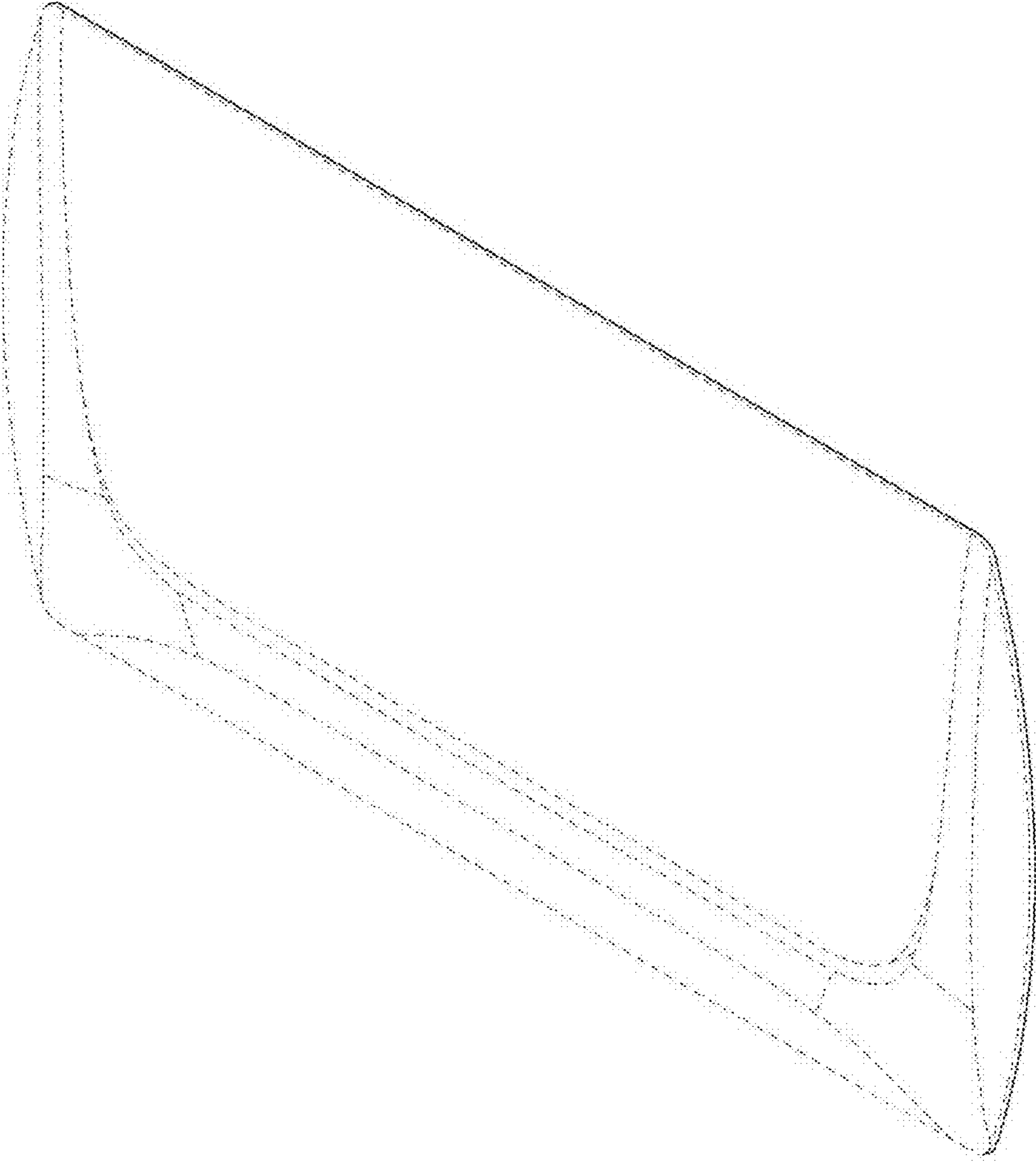
1.4



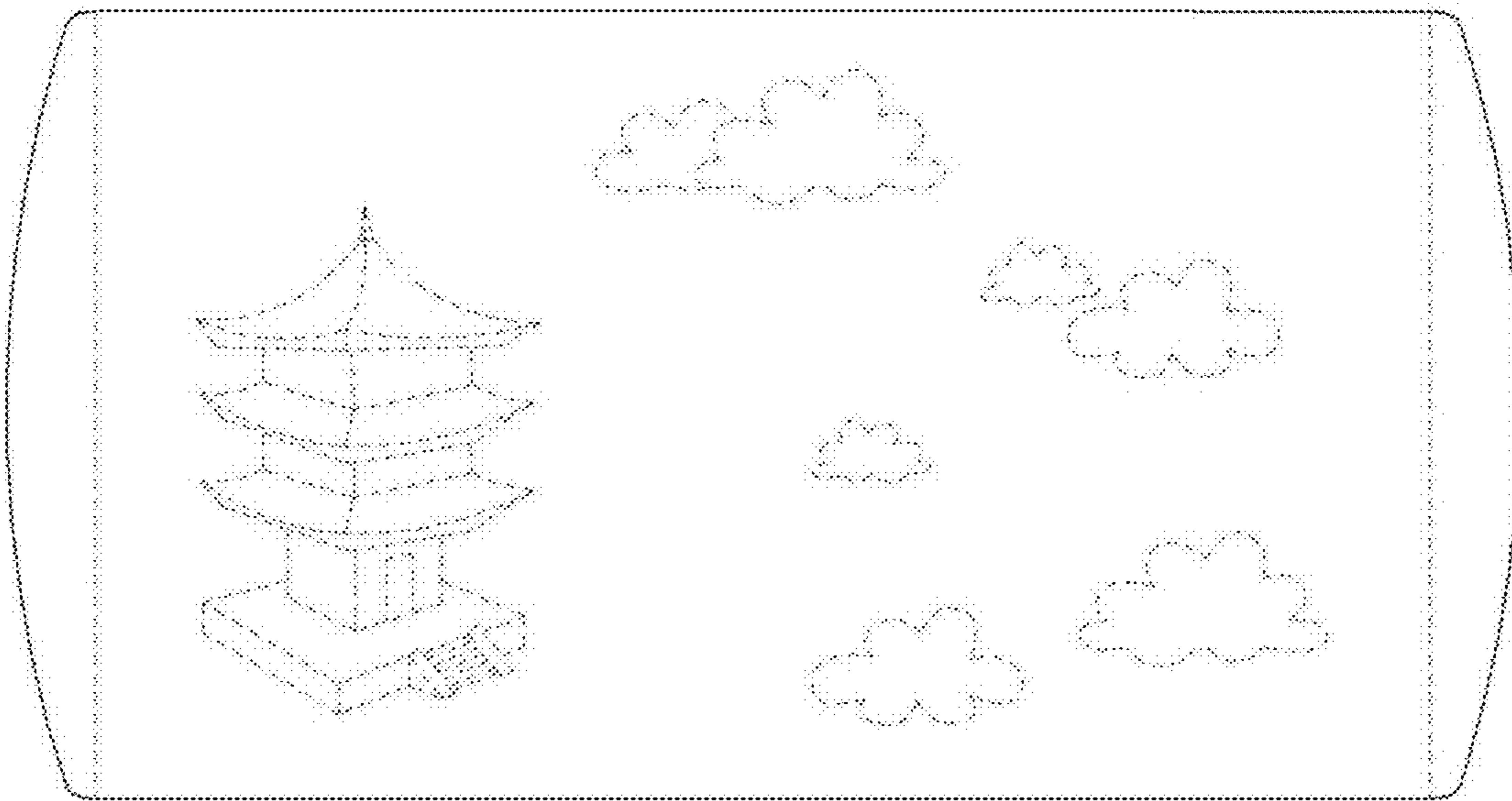
1.5

1.6

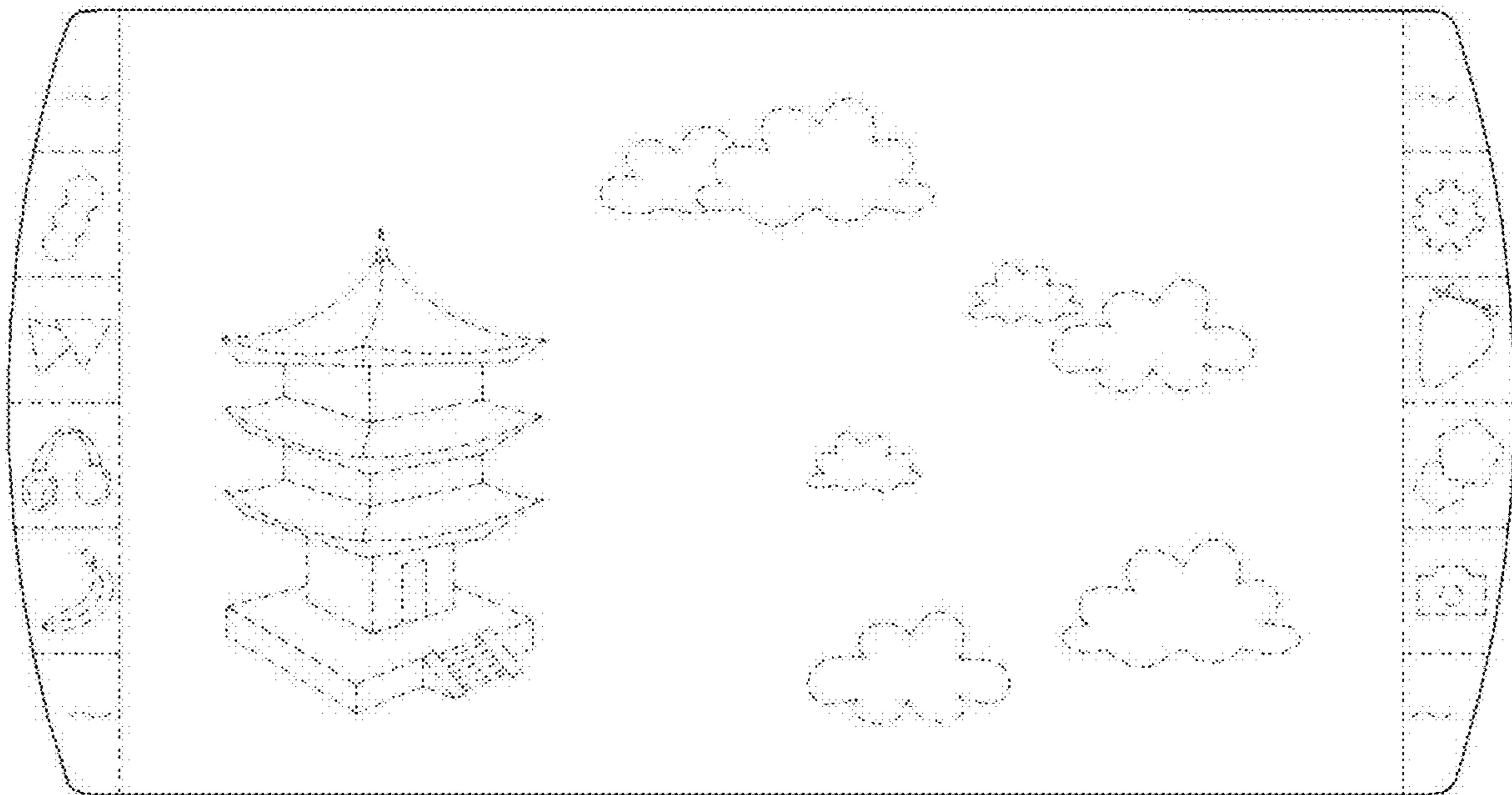
1.7



1.8



1.9



1.10

