



US00D812580S

(12) **United States Design Patent**
Won et al.

(10) **Patent No.:** **US D812,580 S**
(45) **Date of Patent:** **** Mar. 13, 2018**

(54) **TELEVISION RECEIVER**

(71) Applicant: **LG ELECTRONICS INC.**, Seoul (KR)

(72) Inventors: **Hyojin Won**, Seoul (KR); **Taeho Kim**, Seoul (KR); **Yongho Lee**, Seoul (KR)

(73) Assignee: **LG Electronics Inc.**, Seoul (KR)

(**) Term: **15 Years**

(21) Appl. No.: **35/501,628**

(22) Filed: **Mar. 30, 2016**

(80) **Hague Agreement Data**

Int. Filing Date: **Mar. 30, 2016**

Int. Reg. No.: **DM/091169**

Int. Reg. Date: **Mar. 30, 2016**

Int. Reg. Pub. Date: **Sep. 30, 2016**

(30) **Foreign Application Priority Data**

Oct. 6, 2015 (KR) 30-2015-0050403

(51) **LOC (11) Cl.** **14-03**

(52) **U.S. Cl.**
USPC **D14/126**

(58) **Field of Classification Search**

USPC D14/125, 126, 128, 133, 239, 336, 371,
D14/374-377, 448, 450; D20/10, 19, 39;
D21/329, 515; 312/7.2; 348/180, 184,
348/325, 739, 836, 838; 248/465,
248/917-924; 345/87, 104, 133, 156,
345/168, 173

CPC G06F 1/1601; G06F 1/1643; H04N 5/64;
H04N 5/66; H04N 5/655; H04N 7/00;
H04N 9/3141; H04N 13/0459; H04N
17/04; H04N 17/004; H04N 21/43637;
G02B 6/0068; H05K 5/02; H05K 5/0004;
H05K 5/0017; H05K 5/0217

See application file for complete search history.

(56) **References Cited**

U.S. PATENT DOCUMENTS

D624,895 S *	10/2010	Kasuga	D14/126
D626,103 S *	10/2010	Buzzard	D14/126
D671,083 S *	11/2012	Kim	D14/126
D676,006 S *	2/2013	Choi	D14/126
D682,234 S *	5/2013	Lee	D14/126
D699,695 S *	2/2014	Kim	D14/126
D714,746 S *	10/2014	Euisseok	D14/126
D730,857 S *	6/2015	Park	D14/126
D741,274 S *	10/2015	Joe	D14/126
D742,343 S *	11/2015	Moon	D14/126
D753,618 S *	4/2016	Ryu	D14/126
D763,211 S *	8/2016	Kim	D14/126

(Continued)

Primary Examiner — Keli L Hill

(74) *Attorney, Agent, or Firm* — Birch, Stewart, Kolasch & Birch, LLP

(57) **CLAIM**

The ornamental design for a television receiver, as shown and described.

DESCRIPTION

1. Television receiver

1.1 : Perspective

1.2 : Front

1.3 : Back

1.4 : Left

1.5 : Right

1.6 : Top

1.7 : Bottom

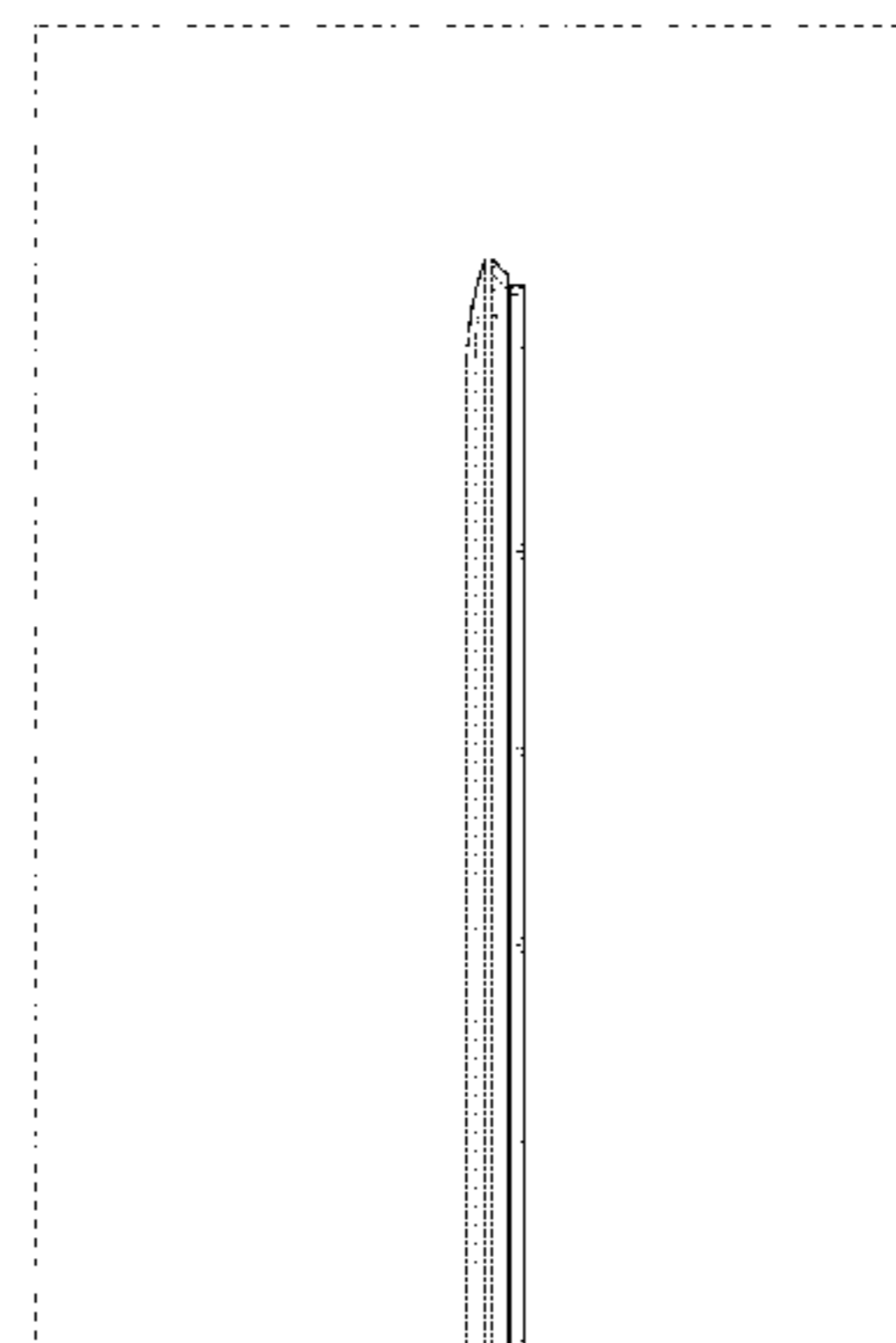
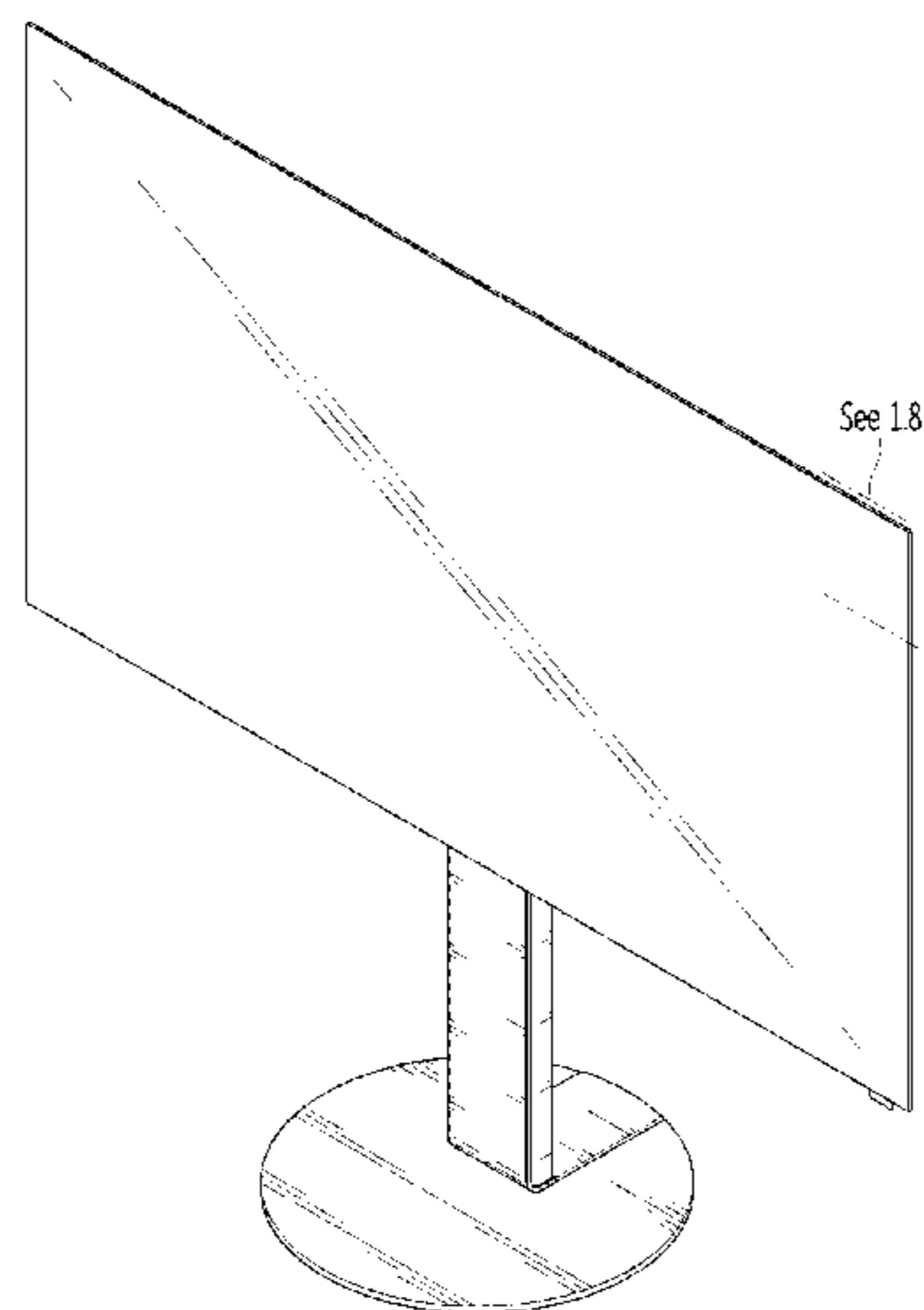
1.8 : Enlarged

1.9 : Enlarged

The dot-dash broken lines shown in figures 1.1, 1.4, 1.8 and 1.9 are included to show partially enlarged views only and form no part of the claimed design.

The evenly spaced broken lines shown in figures 1.3 and 1.5 are included for the purpose of illustrating portions of the television receiver that form no part of the claim.

1 Claim, 8 Drawing Sheets



(56)

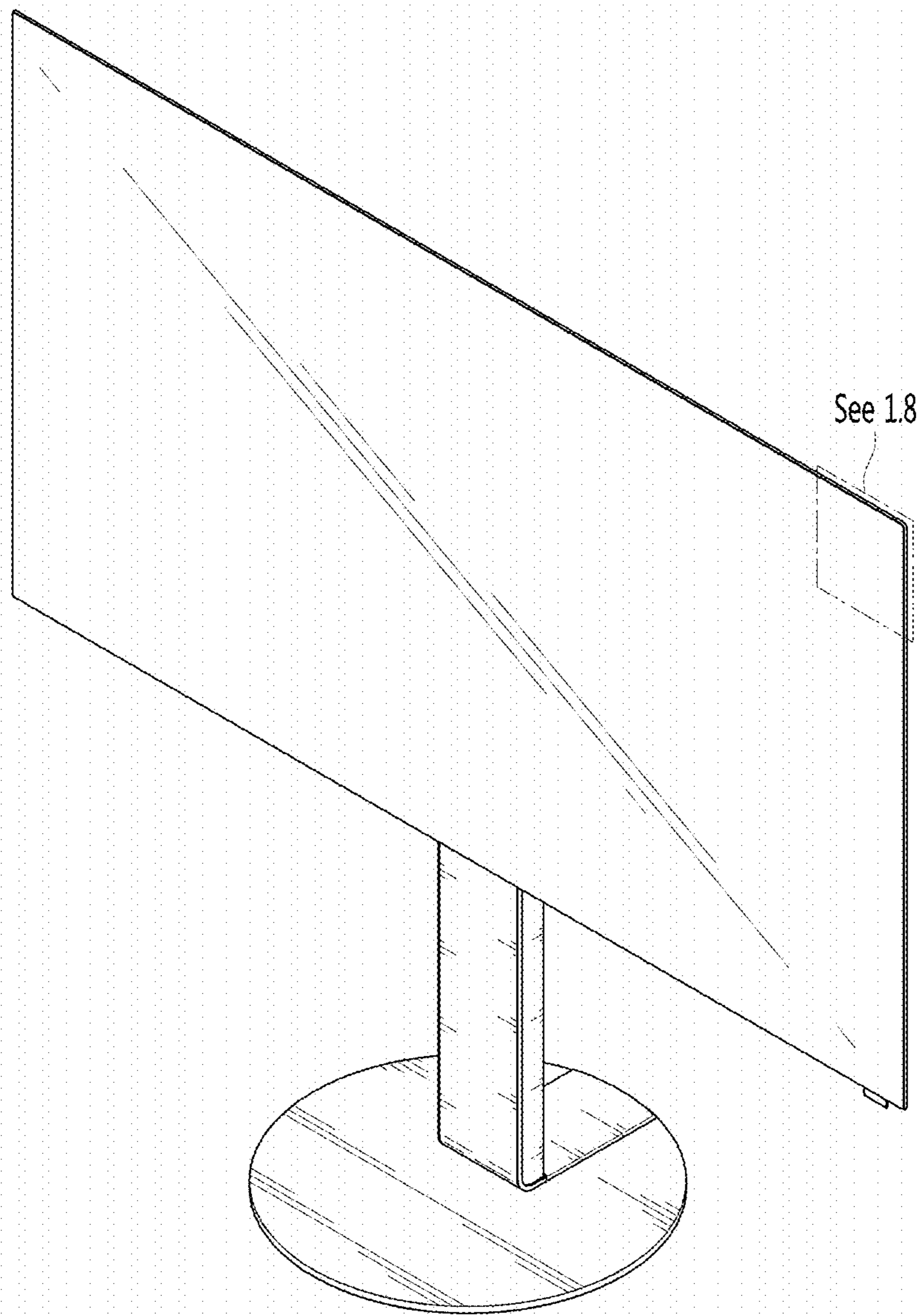
References Cited

U.S. PATENT DOCUMENTS

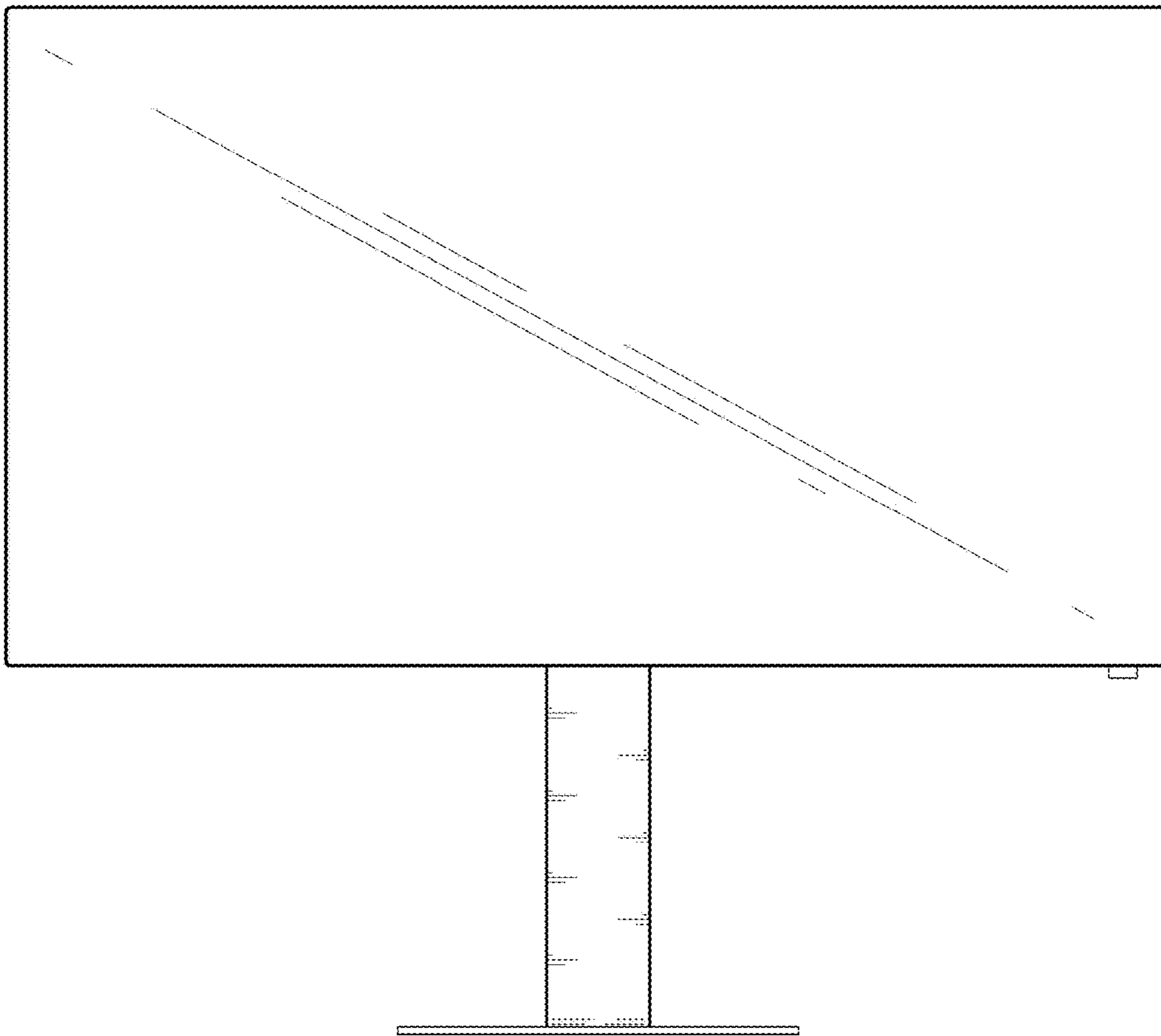
D786,813 S * 5/2017 McManigal D14/126
D788,107 S * 5/2017 Lee D14/374

* cited by examiner

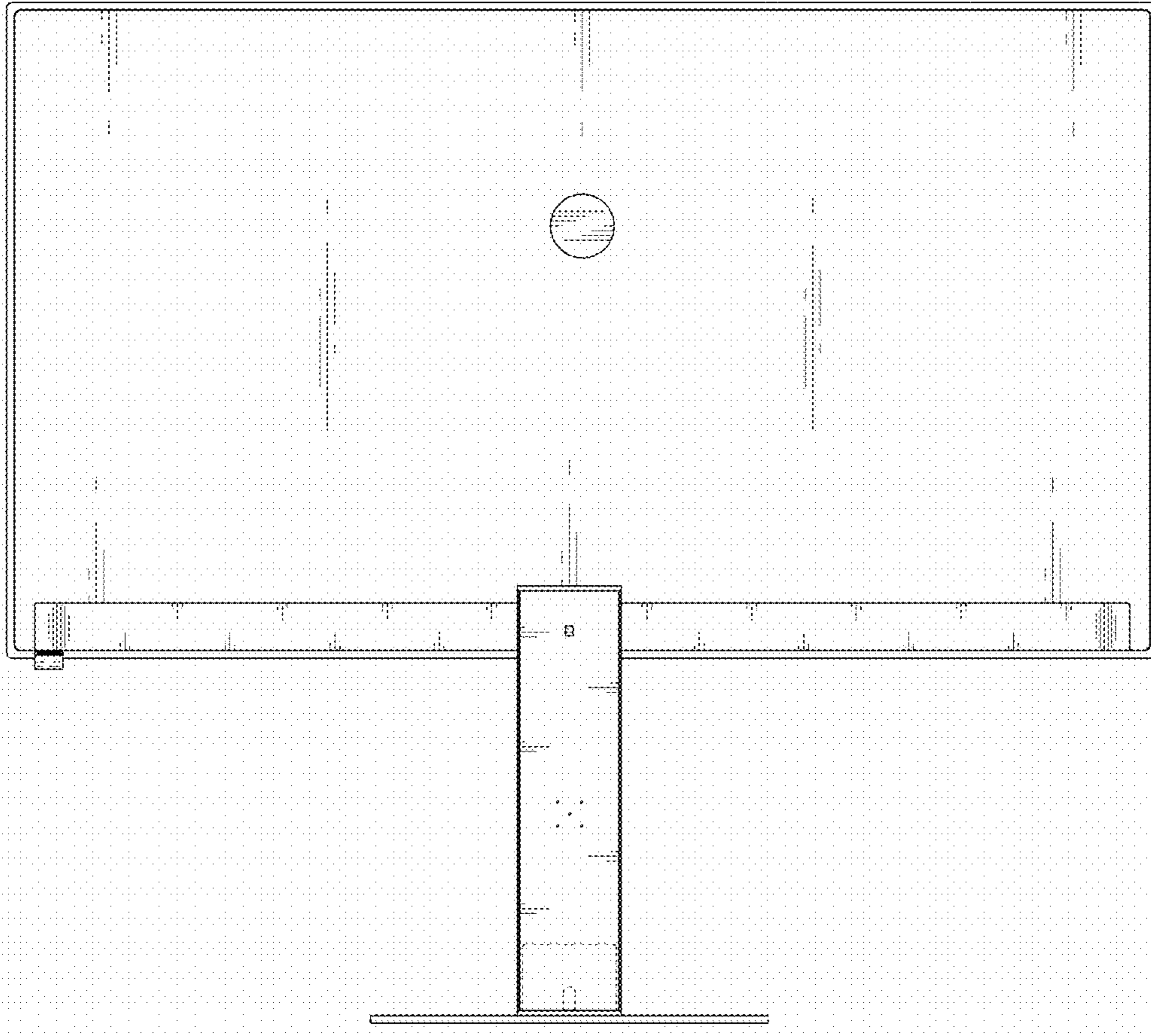
1.1



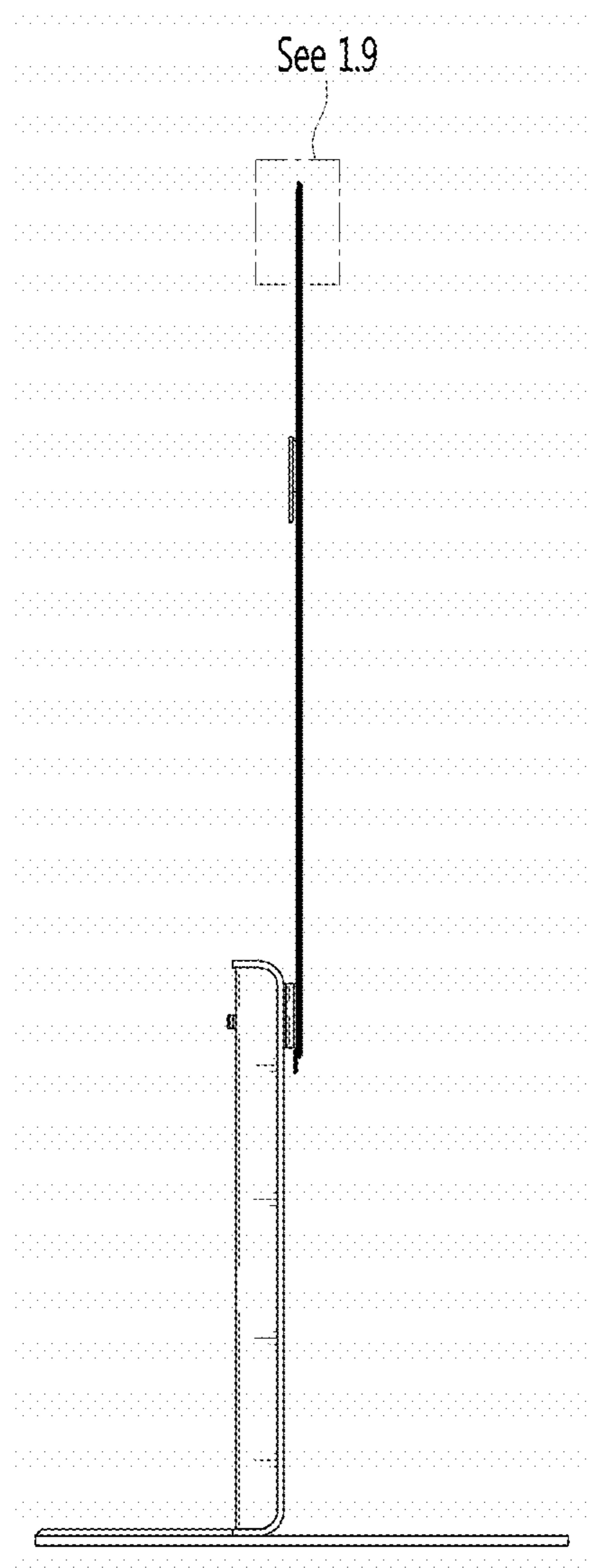
1.2



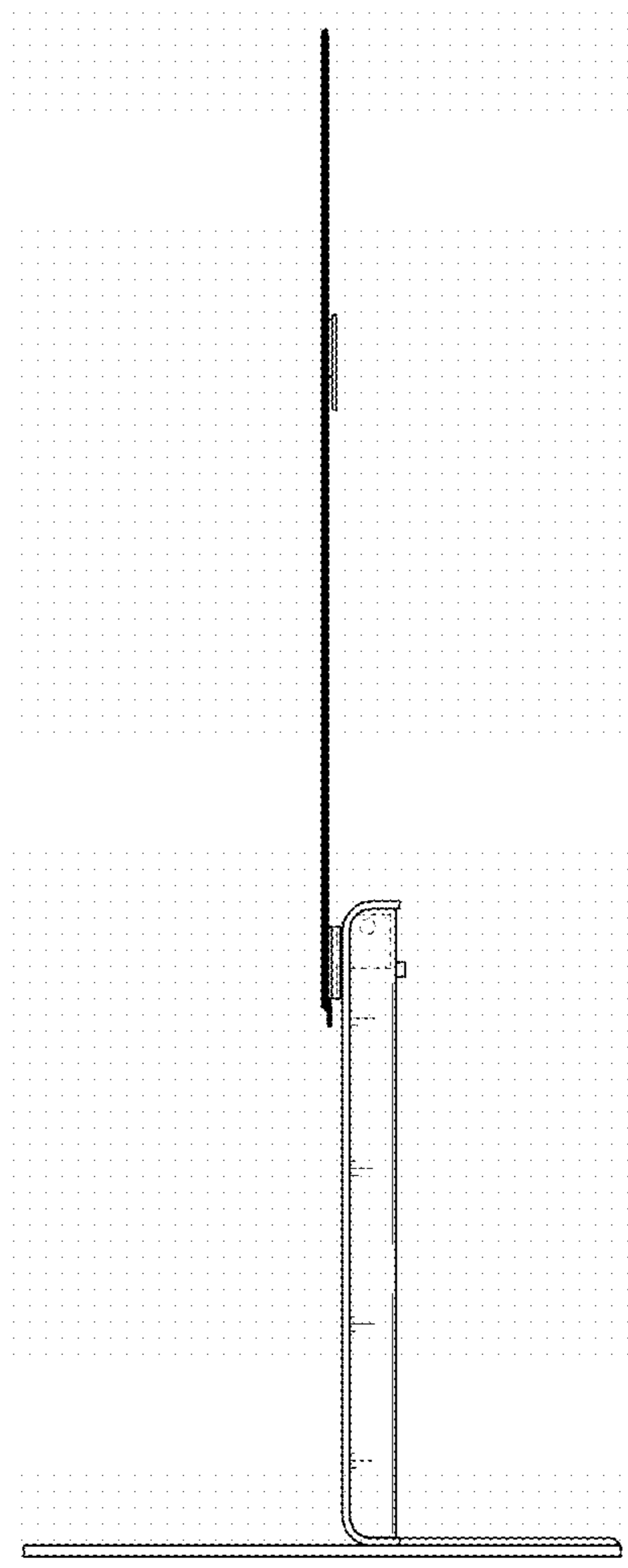
1.3



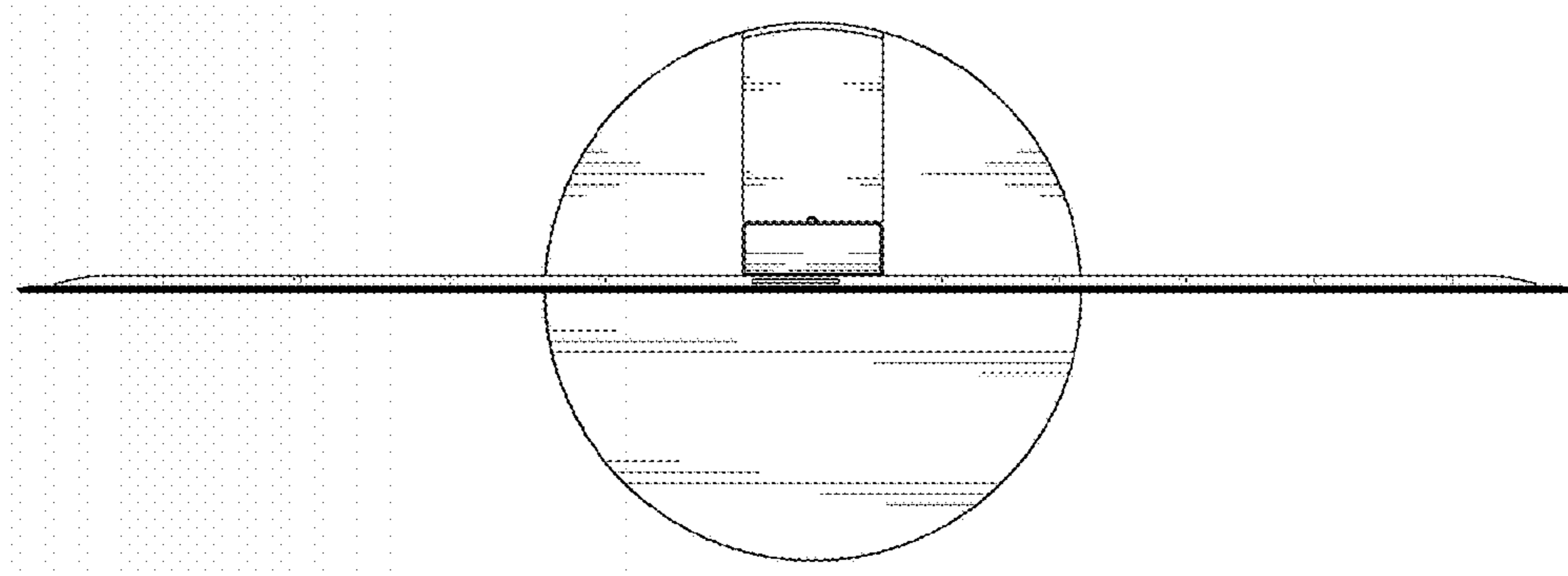
1.4



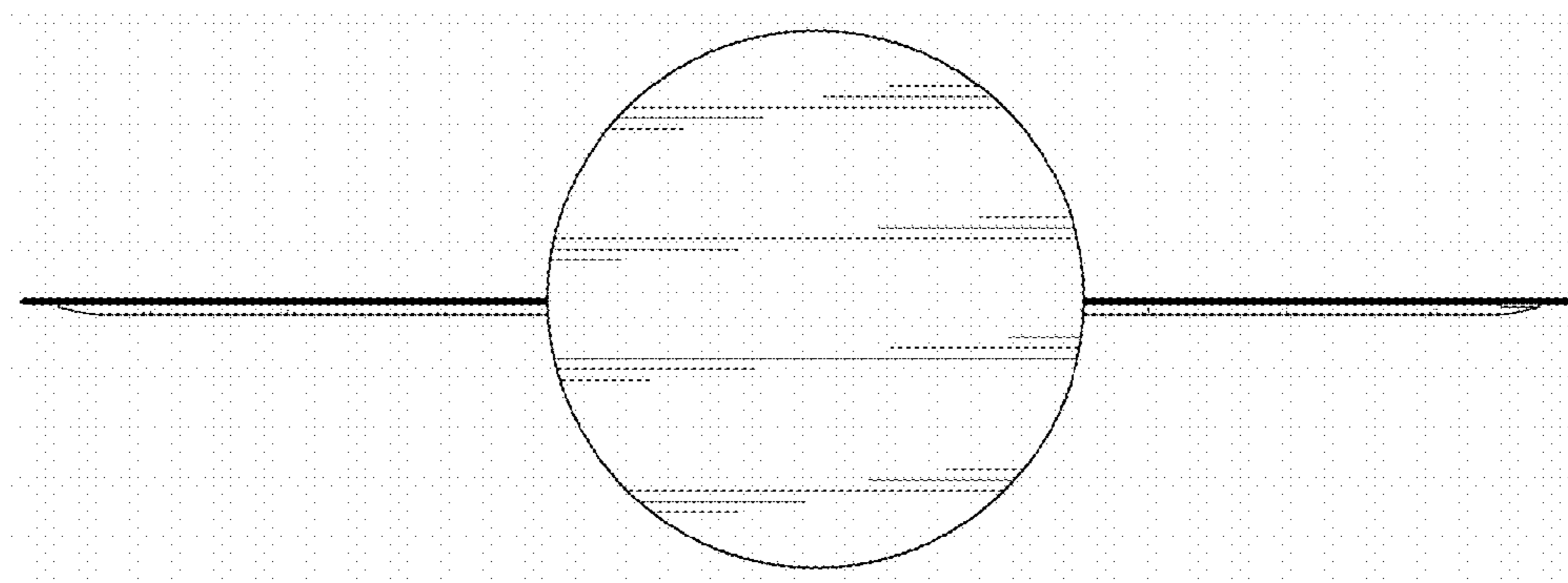
1.5



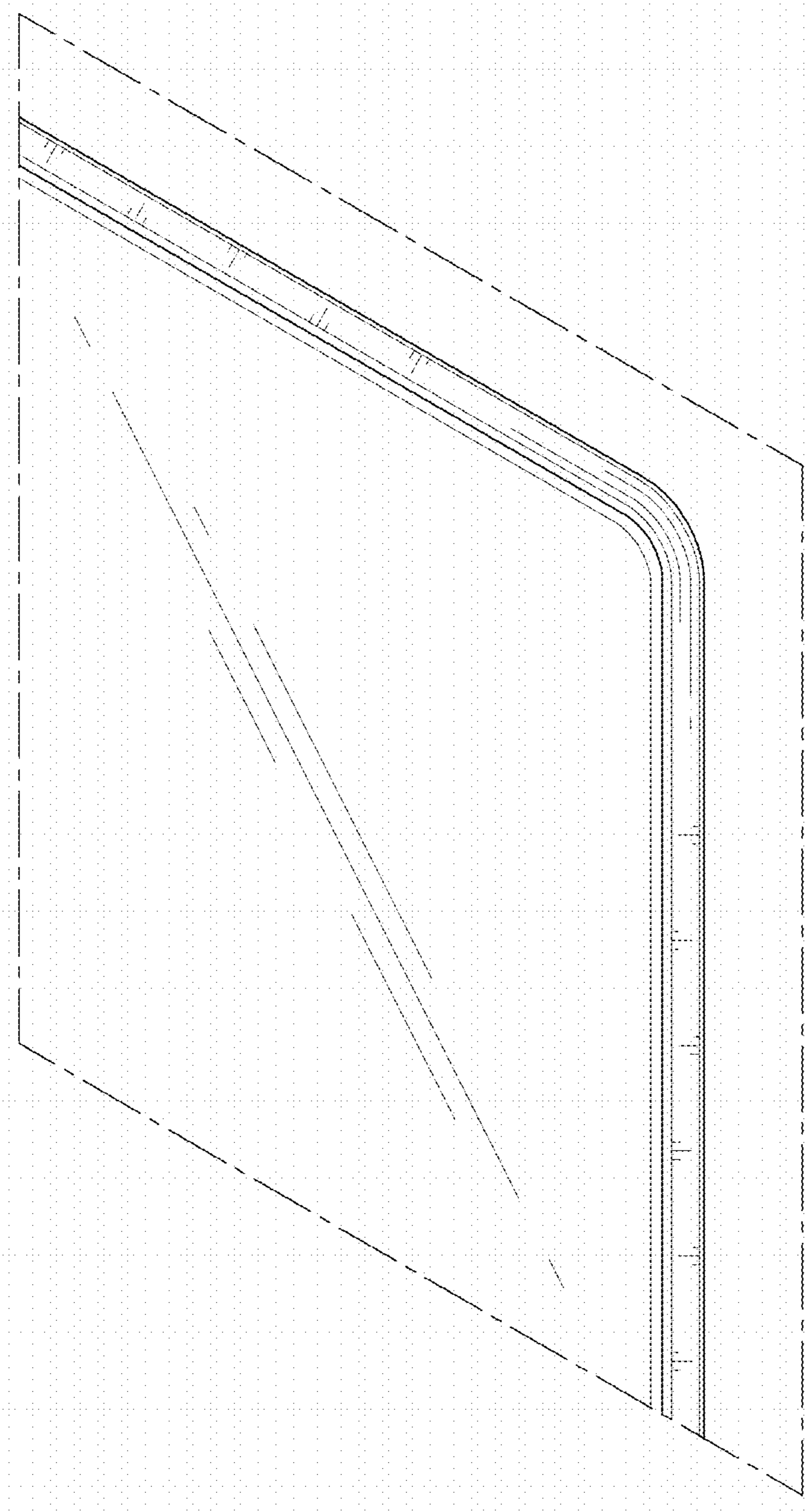
1.6



1.7



1.8



1.9

