



US00D812576S

(12) **United States Design Patent**  
**Gustavsson et al.**

(10) **Patent No.:** **US D812,576 S**  
(45) **Date of Patent:** **\*\* Mar. 13, 2018**

(54) **CONTROL PANEL**  
(71) Applicant: **HTC Sweden AB**, Söderköping (SE)  
(72) Inventors: **Daniel Gustavsson**, Söderköping (SE); **Magnus Grettve**, Göteborg (SE); **Ivar Frischer**, Göteborg (SE); **Matias Cindric**, Mölndal (SE)  
(73) Assignee: **HTC SWEDEN AB**, Söderköping (SE)  
(\*\*) Term: **15 Years**

D493,146 S \* 7/2004 Brett ..... D13/164  
D525,212 S \* 7/2006 Kim ..... D13/162  
D563,624 S \* 3/2008 Kato ..... D34/35  
D571,736 S \* 6/2008 Copeland ..... A61M 37/0076  
D13/110  
D603,350 S \* 11/2009 Melzner ..... D13/164  
D638,374 S \* 5/2011 Corcoran ..... D13/168  
D641,712 S \* 7/2011 Berning ..... D13/164  
D642,542 S \* 8/2011 Berning ..... D13/164  
D666,159 S \* 8/2012 Adenau ..... D13/164  
D689,443 S \* 9/2013 Ewringmann ..... D13/164  
D707,189 S \* 6/2014 Martello ..... D13/164  
D735,680 S \* 8/2015 Harrison ..... D13/162  
D773,405 S \* 12/2016 Daubenmerkl ..... D13/164

\* cited by examiner

(21) Appl. No.: **29/587,041**  
(22) Filed: **Dec. 9, 2016**

*Primary Examiner* — Selina Sikder  
(74) *Attorney, Agent, or Firm* — Michael G. Johnston;  
Moore & Van Allen PLLC

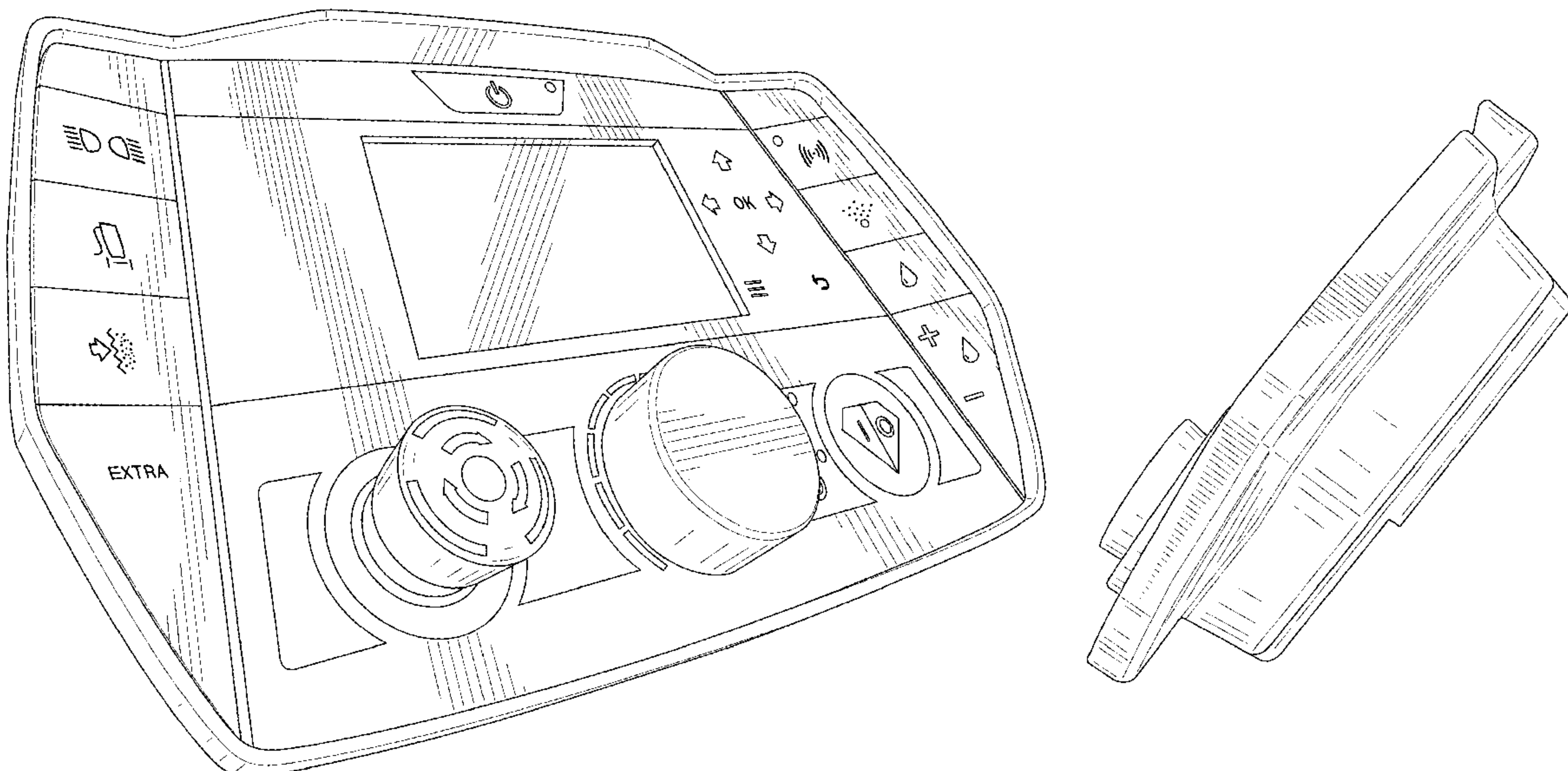
(30) **Foreign Application Priority Data**  
Jun. 9, 2016 (EM) ..... 003182641-0008  
(51) **LOC (11) Cl.** ..... **13-03**  
(52) **U.S. Cl.**  
USPC ..... **D13/164**  
(58) **Field of Classification Search**  
USPC ..... D13/162, 164, 168; D15/28; D32/28;  
D34/35  
CPC ..... H05K 5/0017; H05K 5/02; H05K 5/03;  
H05K 5/06; G05B 15/02; G05B 11/01;  
G05B 19/02; G05B 19/04; G05B 19/409;  
G05B 2219/23406  
See application file for complete search history.

(57) **CLAIM**  
The ornamental design for a control panel, as shown and described.

(56) **References Cited**  
U.S. PATENT DOCUMENTS  
D360,404 S \* 7/1995 Cotten ..... D13/164  
D398,289 S \* 9/1998 Burke ..... D13/162  
D404,391 S \* 1/1999 Herbstritt ..... D13/162  
D416,235 S \* 11/1999 Hanesworth ..... D13/164  
D442,559 S \* 5/2001 Marcomini ..... D13/162

**DESCRIPTION**  
FIG. 1 is a front left perspective view of a control panel showing my new design.  
FIG. 2 is a rear right perspective view of the control panel as shown in FIG. 1.  
FIG. 3 is a front elevation view of the control panel as shown in FIG. 1.  
FIG. 4 is a rear elevation view of the control panel as shown in FIG. 1.  
FIG. 5 is a left side elevation view of the control panel as shown in FIG. 1.  
FIG. 6 is a right side elevation view of the control panel as shown in FIG. 1; and,  
FIG. 7 is a top front perspective view of the control panel as shown in FIG. 1.

**1 Claim, 6 Drawing Sheets**



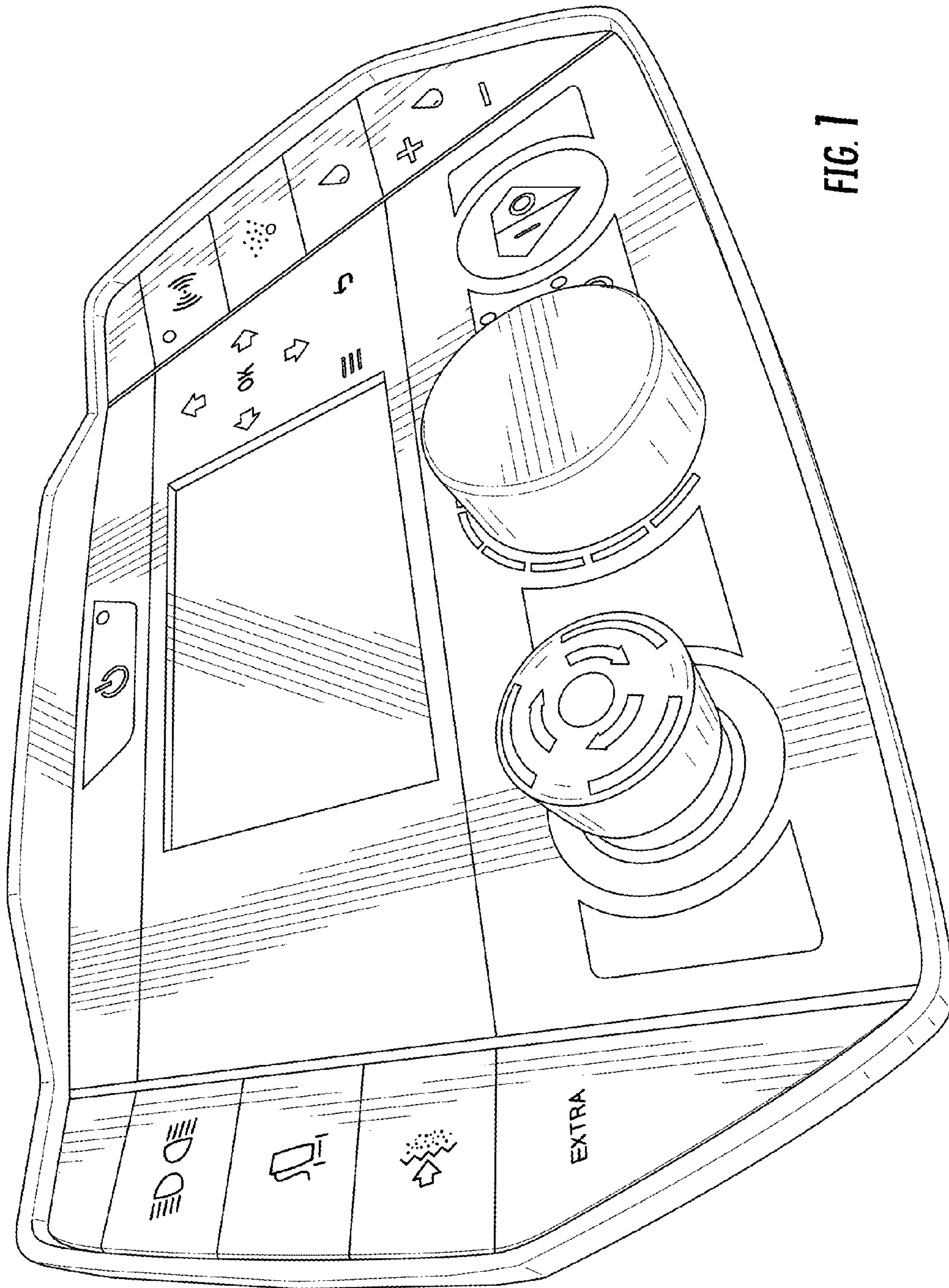


FIG. 1



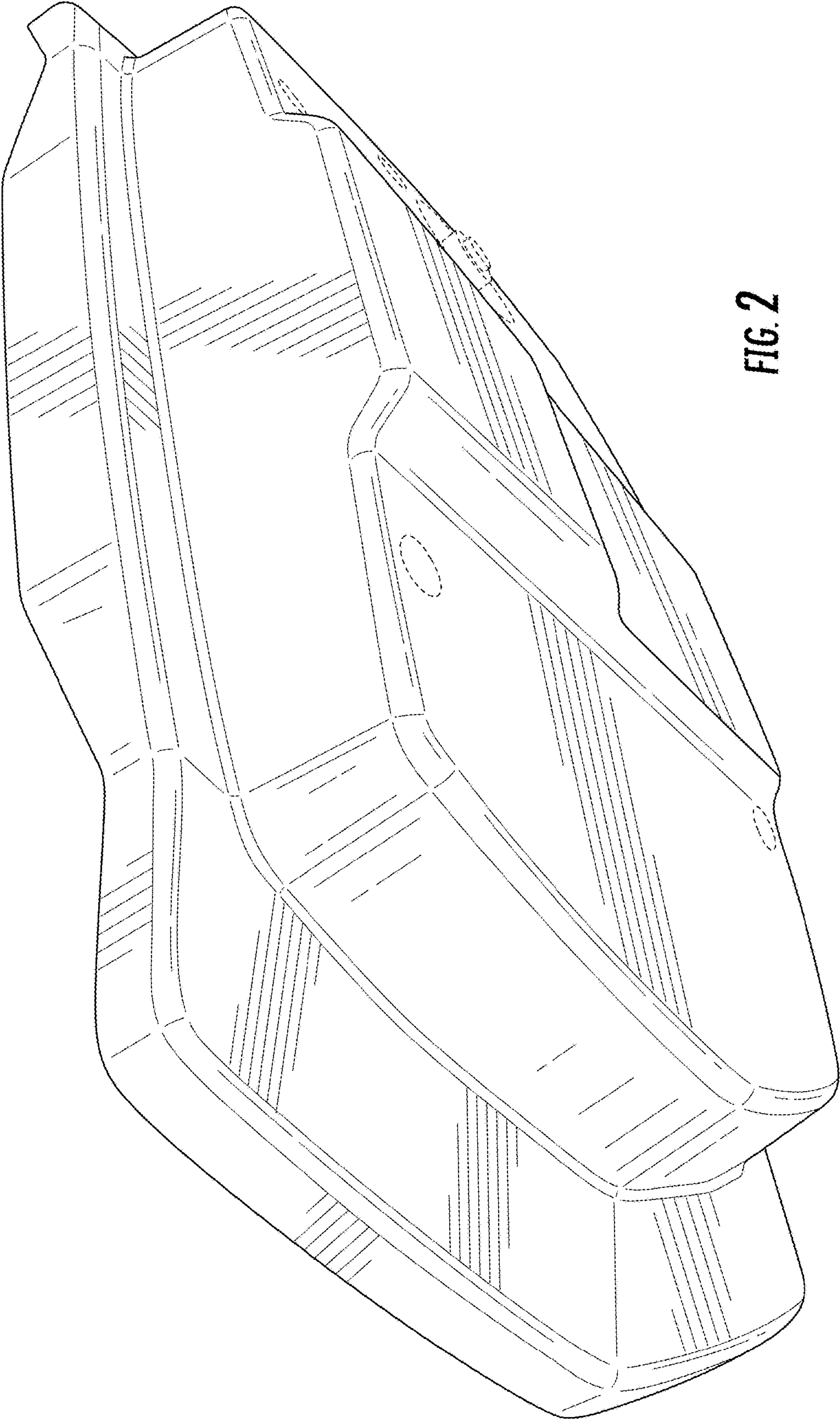


FIG. 2





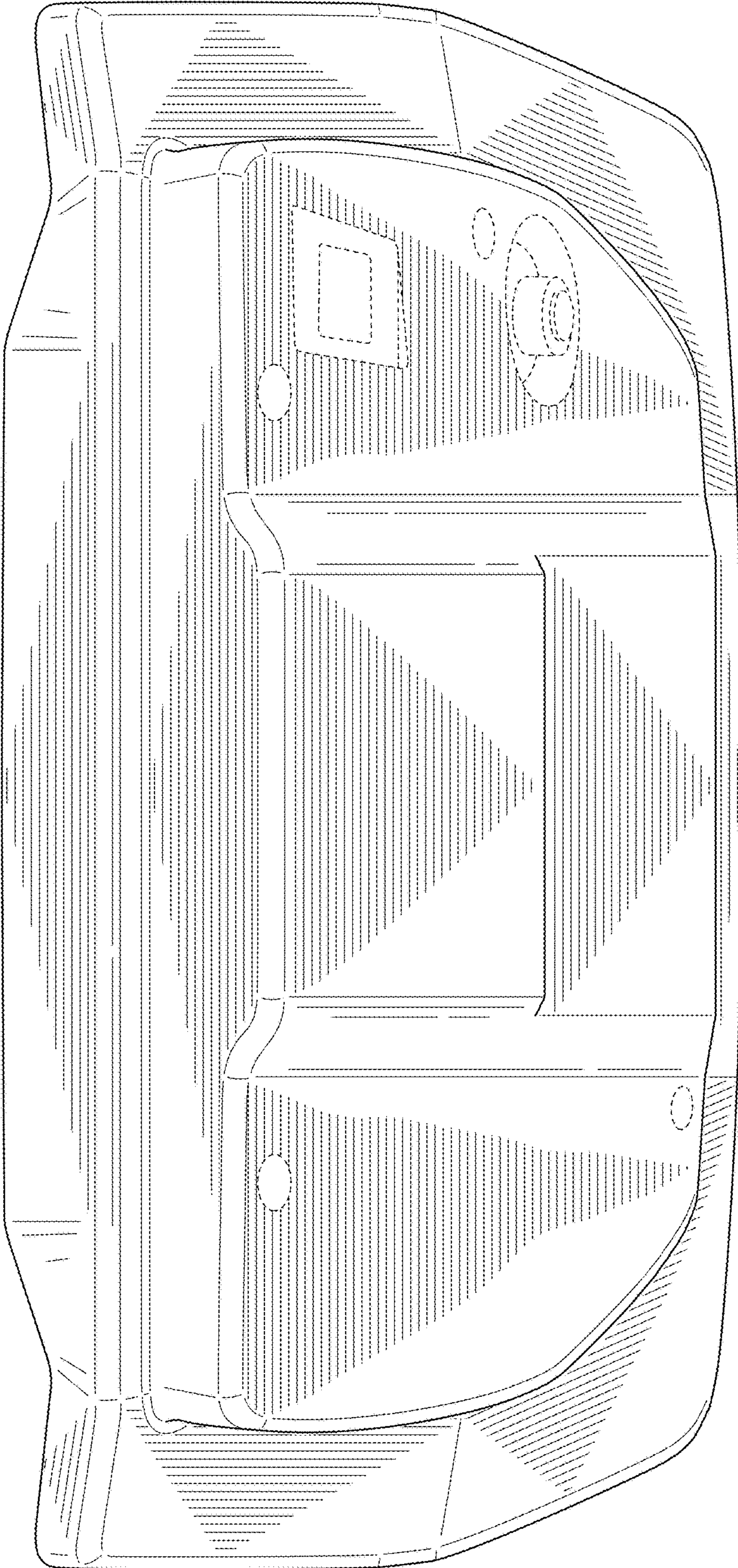


FIG. 4

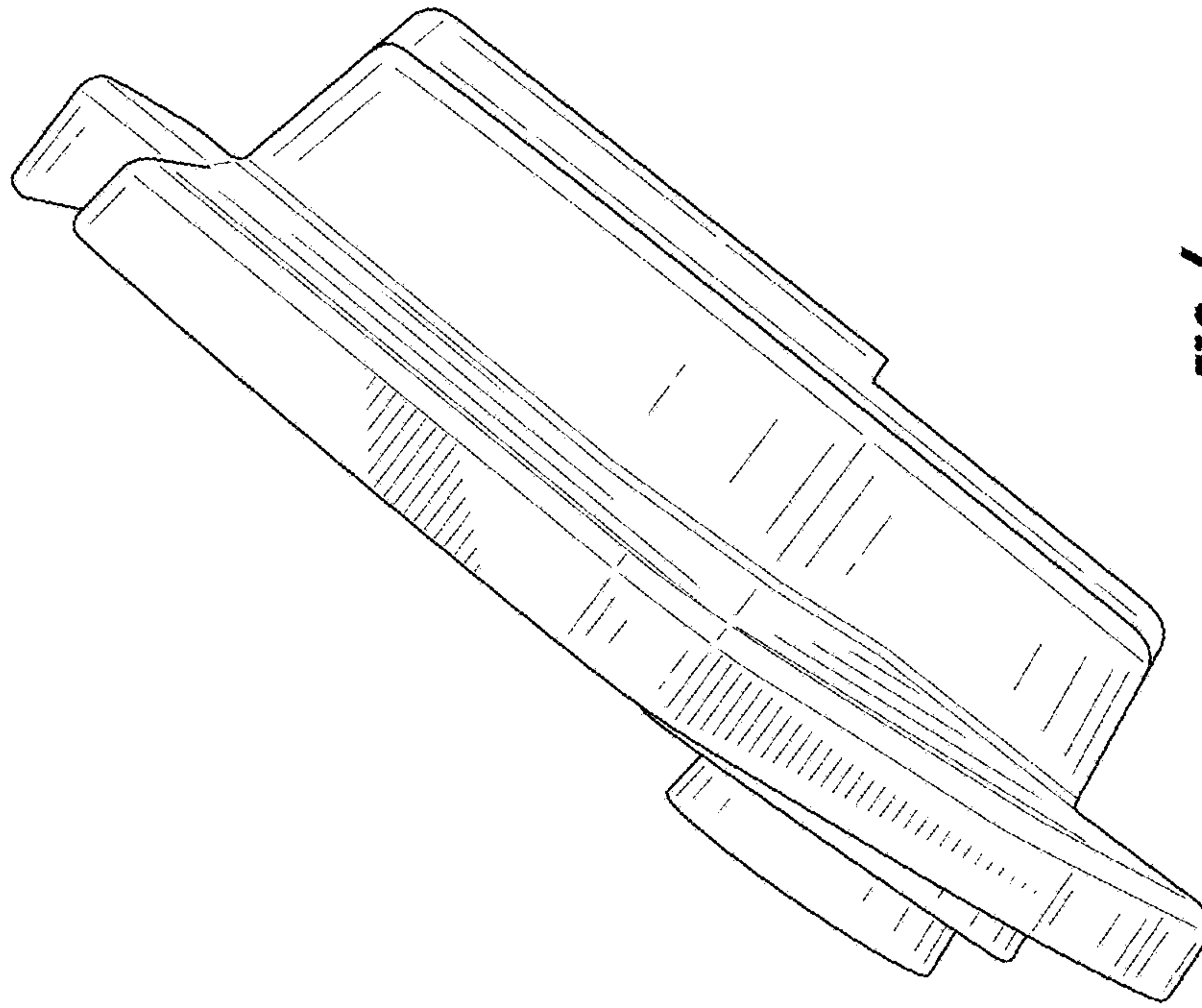


FIG. 6

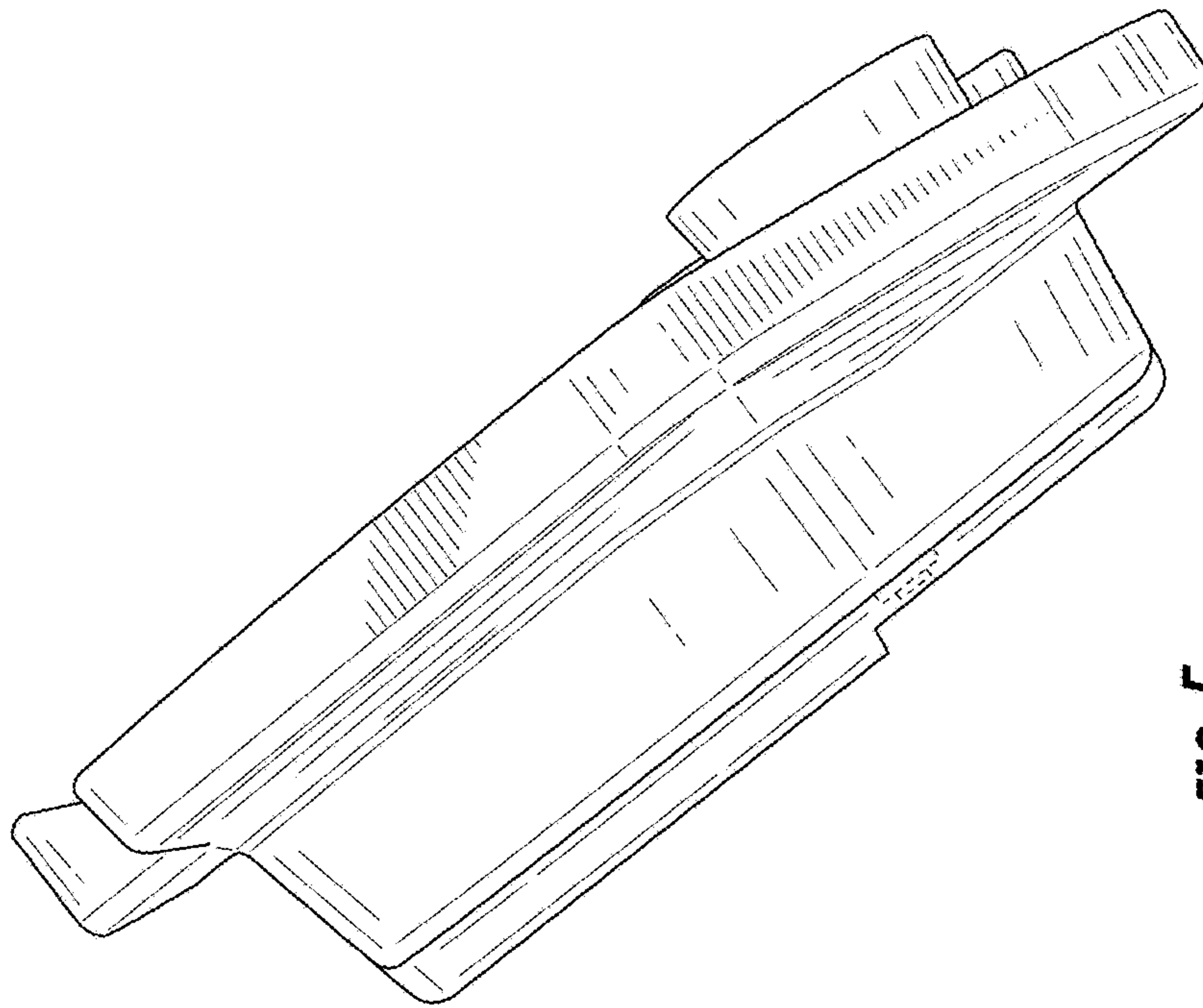


FIG. 5



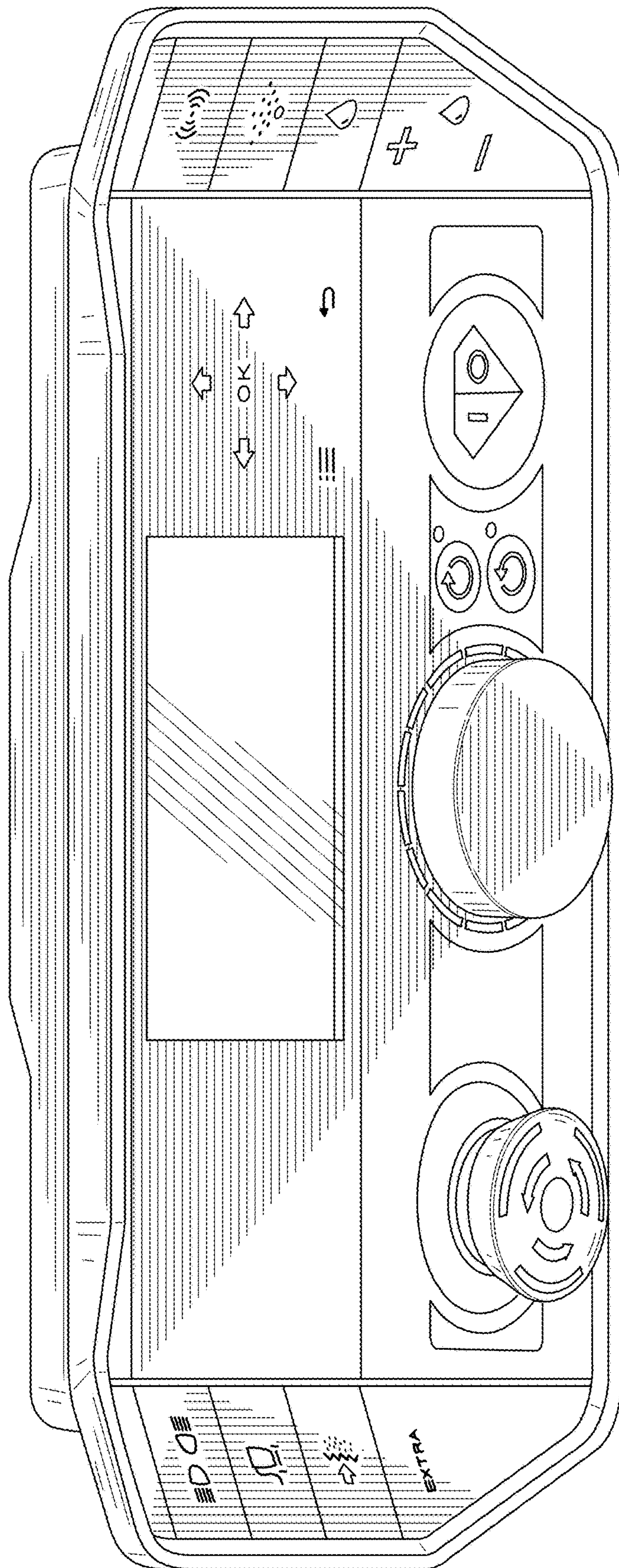


FIG. 7