



US00D812575S

(12) **United States Design Patent**
Amano

(10) **Patent No.:** **US D812,575 S**
(45) **Date of Patent:** **** Mar. 13, 2018**

(54) **SWITCH**

(71) Applicants: **CITIZEN ELECTRONICS CO., LTD.**, Yamanashi-ken (JP); **CITIZEN WATCH CO., LTD.**, Tokyo (JP)

(72) Inventor: **Kaori Amano**, Yamanashi-ken (JP)

(73) Assignees: **CITIZEN ELECTRONICS CO., LTD.**, Yamanashi-Ken (JP); **CITIZEN WATCH CO., LTD.**, Tokyo (JP)

(**) Term: **15 Years**

(21) Appl. No.: **29/601,216**

(22) Filed: **Apr. 20, 2017**

Related U.S. Application Data

(62) Division of application No. 29/539,655, filed on Sep. 16, 2015, now Pat. No. Des. 789,307.

(30) **Foreign Application Priority Data**

Mar. 23, 2015 (JP) D2015-006256
Mar. 23, 2015 (JP) D2015-006264
Mar. 23, 2015 (JP) D2015-006265

(51) **LOC (11) Cl.** **13-03**

(52) **U.S. Cl.**
USPC **D13/158**; D13/171

(58) **Field of Classification Search**
USPC D13/158, 160, 171, 180
CPC H01H 13/02; H01H 13/04; H01H 13/14;
H01H 13/48; H01H 13/50; H01H 13/7006; H01H 13/705; H01H 13/85;
H01H 5/30; H01H 13/83
See application file for complete search history.

(56) **References Cited**

U.S. PATENT DOCUMENTS

6,646,217 B2 11/2003 Omata
6,747,218 B2 6/2004 Huseman

7,075,020 B2 7/2006 Asada
7,557,320 B1 7/2009 Crooijmans
8,212,160 B2* 7/2012 Tsao H01H 13/64
200/1 B
D680,503 S 4/2013 Kawashima
D688,636 S 8/2013 Oishi
8,759,704 B2 6/2014 Inamoto
8,809,709 B2* 8/2014 Watanabe H01H 13/04
200/294
D714,230 S 9/2014 Sun
D719,924 S 12/2014 Ueno
D741,819 S 10/2015 Ueno
(Continued)

FOREIGN PATENT DOCUMENTS

JP D1425373 10/2011
JP D1425595 10/2011

Primary Examiner — Selina Sikder

(74) *Attorney, Agent, or Firm* — Wenderoth, Lind & Ponack, L.L.P.

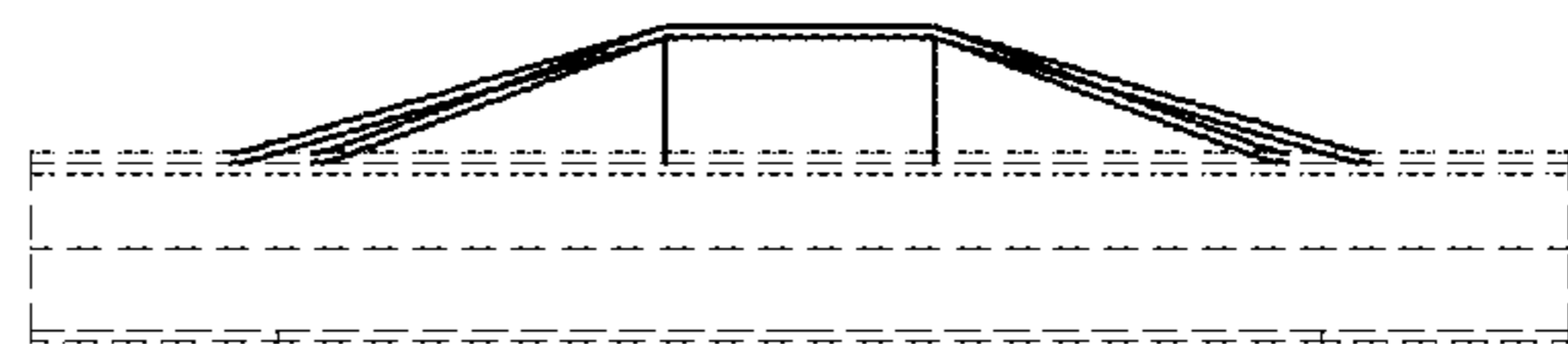
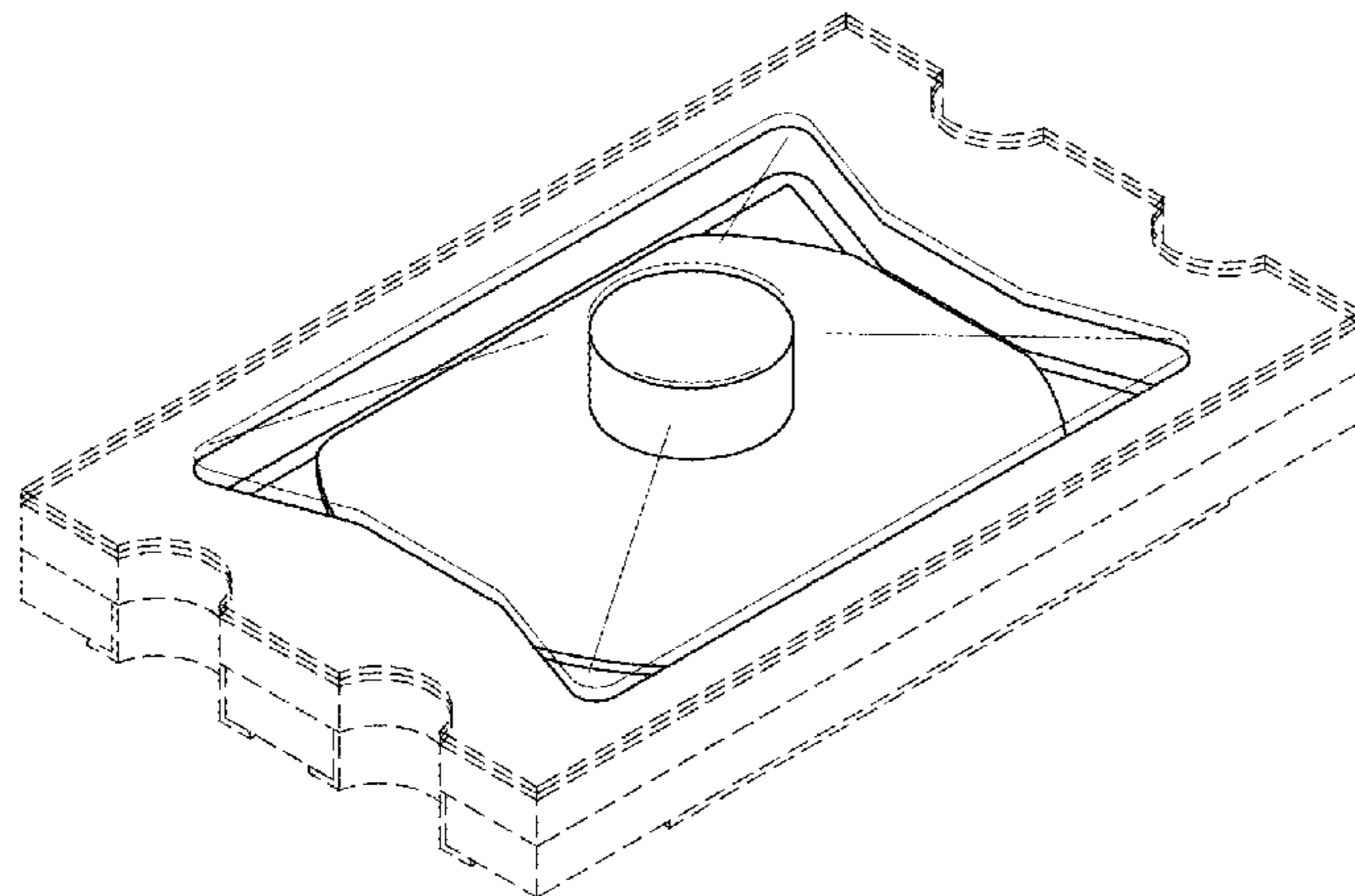
(57) **CLAIM**

The ornamental design for a switch, as shown and described.

DESCRIPTION

FIG. 1 is a top perspective view of a switch showing an upper surface with front and left side surfaces; FIG. 2 is a bottom perspective view thereof showing a bottom surface with rear and right side surfaces; FIG. 3 is a front view thereof, a rear view being identical to FIG. 3; FIG. 4 is a top plan view thereof; FIG. 5 is a bottom plan view thereof; and, FIG. 6 is a left side view thereof, a right side view being identical to FIG. 6.
The broken lines shown herein are for illustrative purpose only and form no part of the claimed design.

1 Claim, 3 Drawing Sheets



(56)

References Cited

U.S. PATENT DOCUMENTS

9,406,460	B2	8/2016	Nakaoka	
D789,307	S *	6/2017	Amano	D13/180
9,793,072	B2 *	10/2017	Watanabe	H01H 13/50
2011/0284357	A1	11/2011	Yasunaga	
2012/0055773	A1	3/2012	Nakaoka	
2013/0068599	A1	3/2013	Kikuchi	
2013/0087443	A1 *	4/2013	Kikuchi	H01H 13/48 200/520

* cited by examiner

Fig. 1

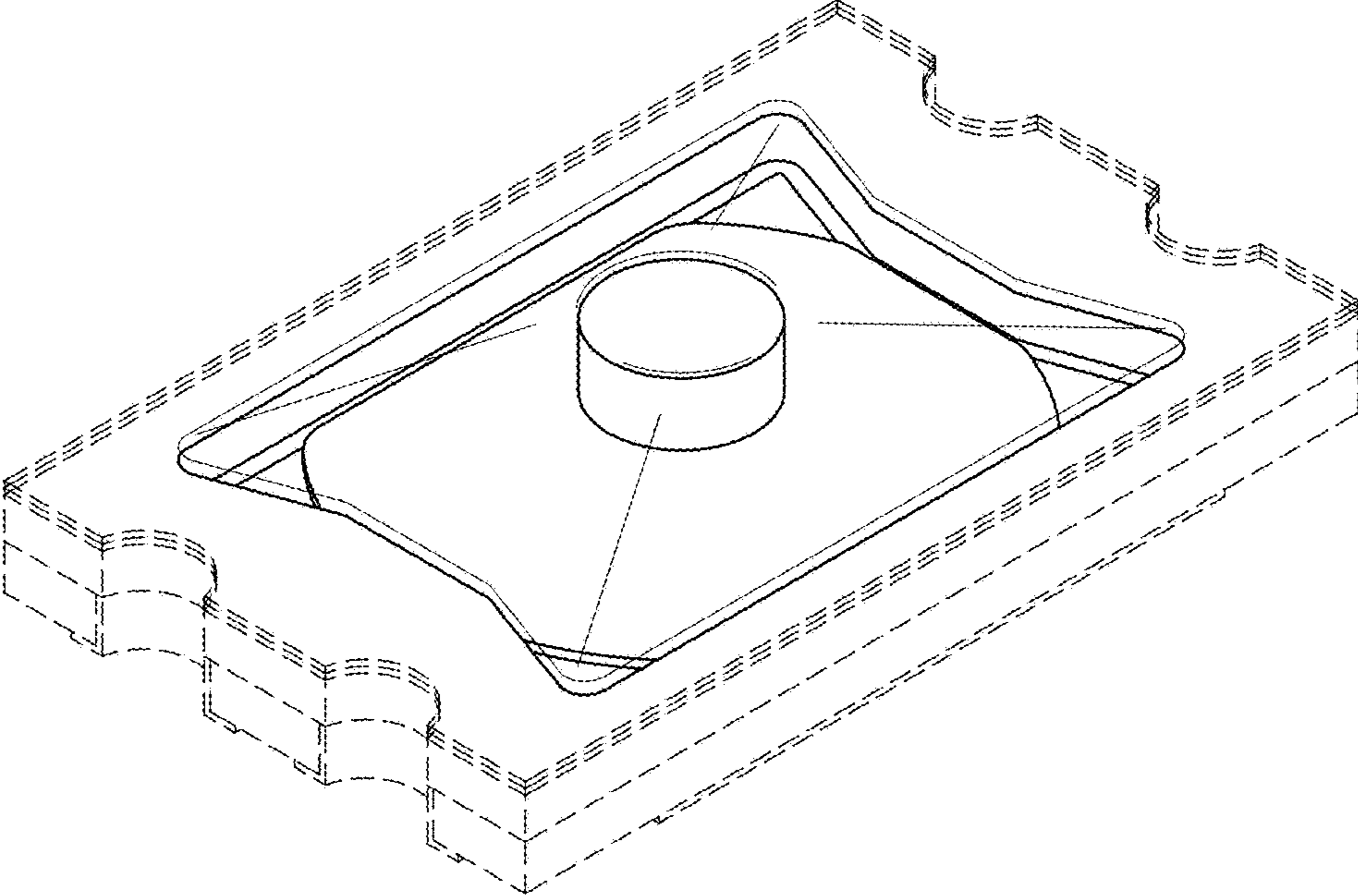


Fig. 2

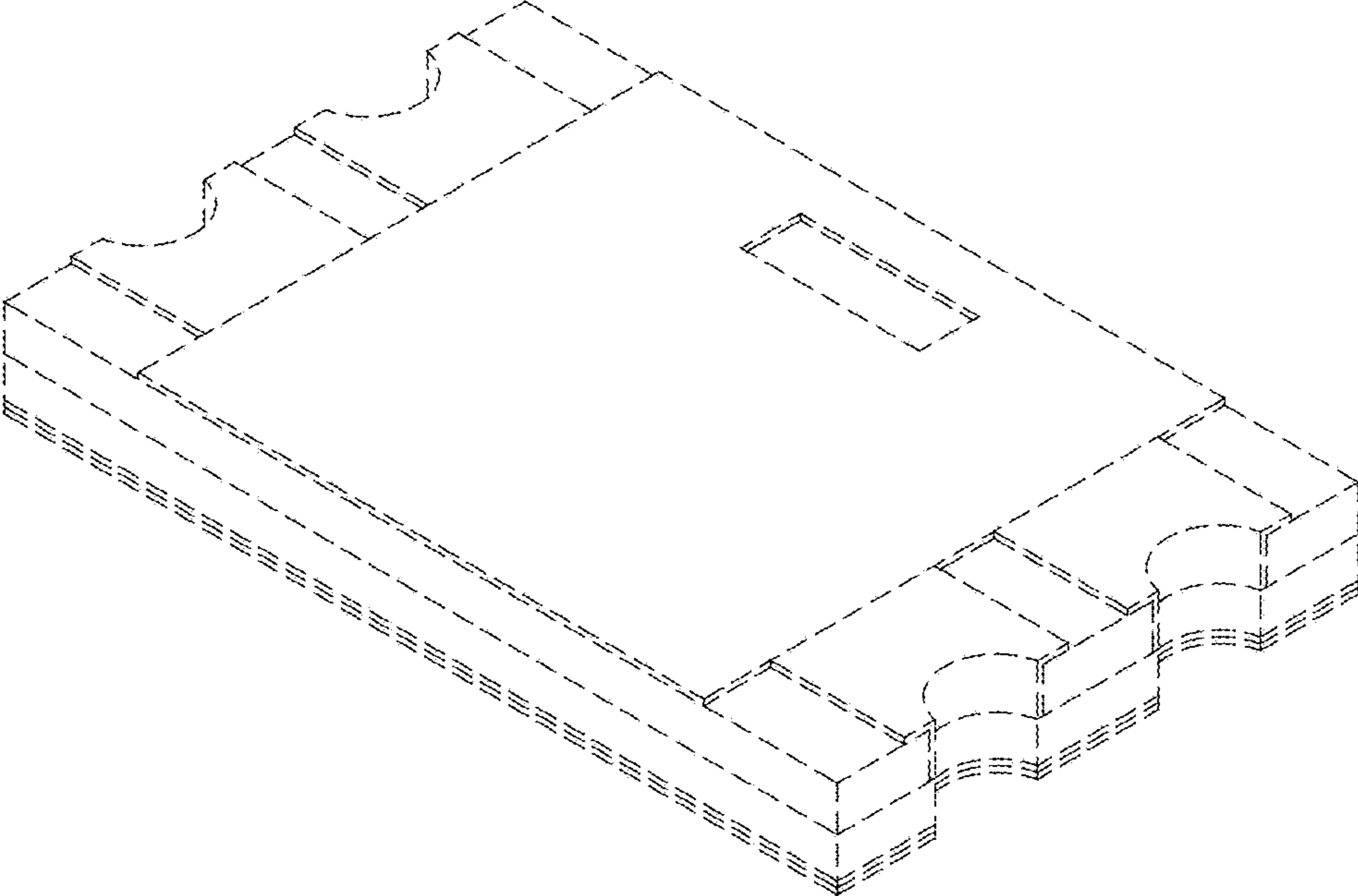


Fig. 3

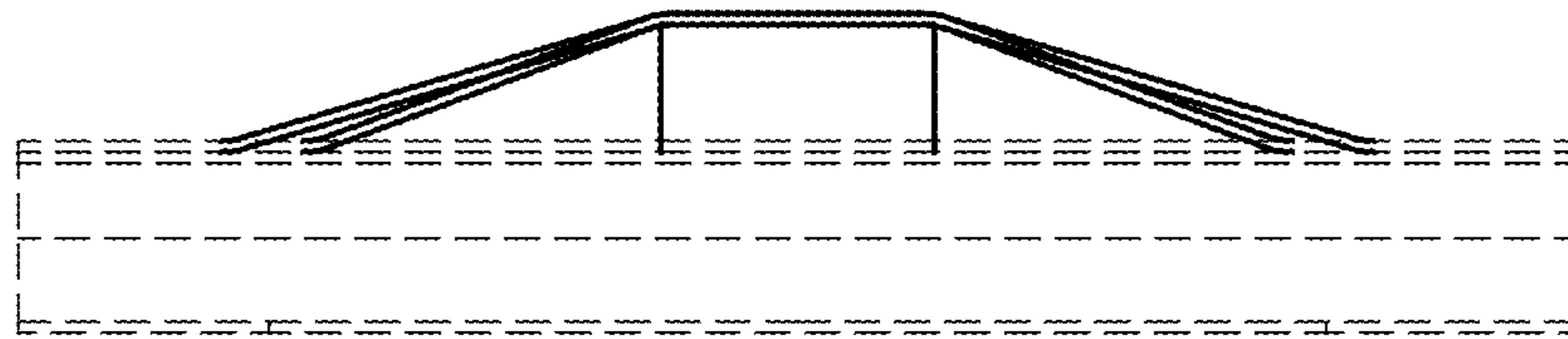


Fig. 4

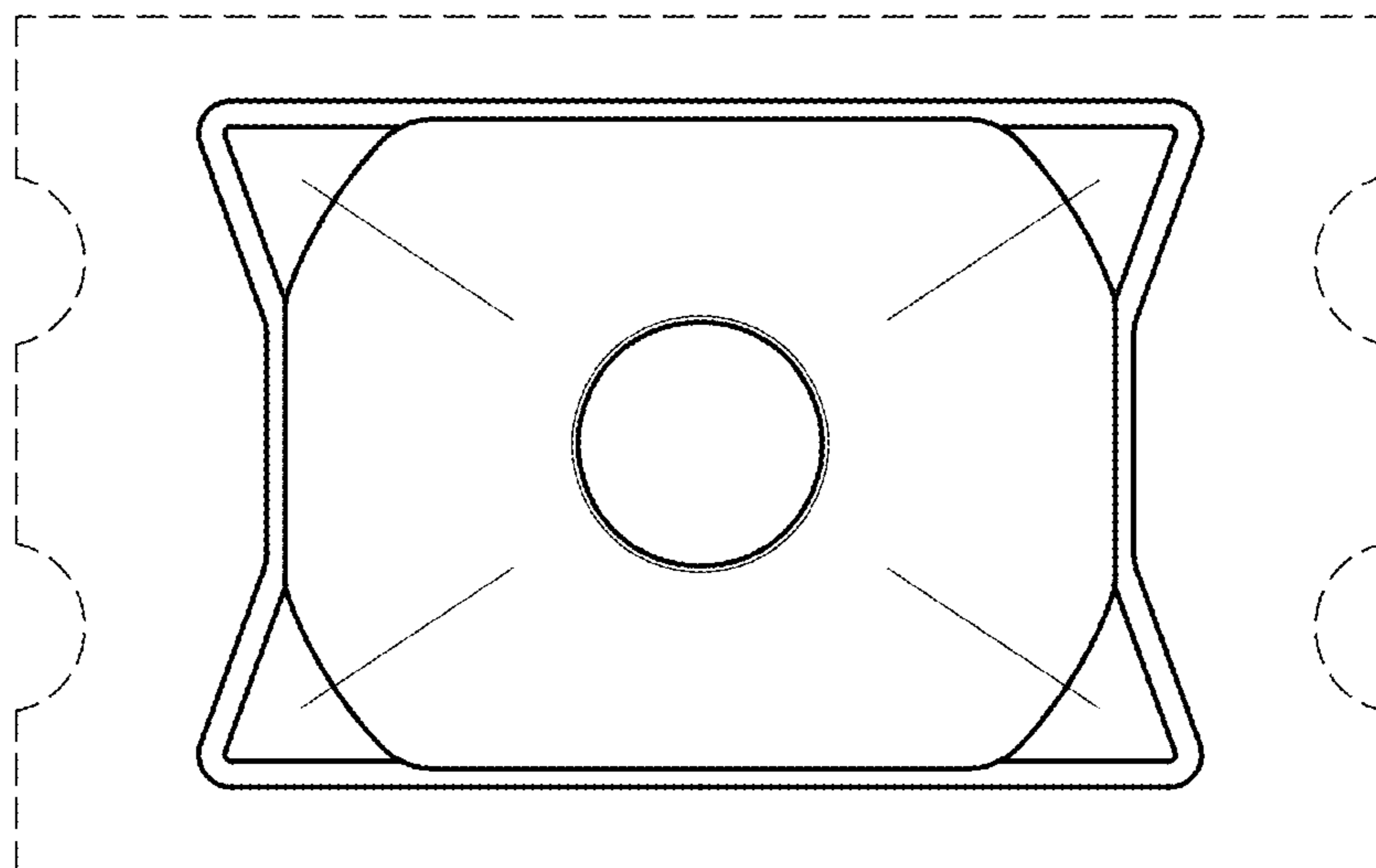


Fig. 5

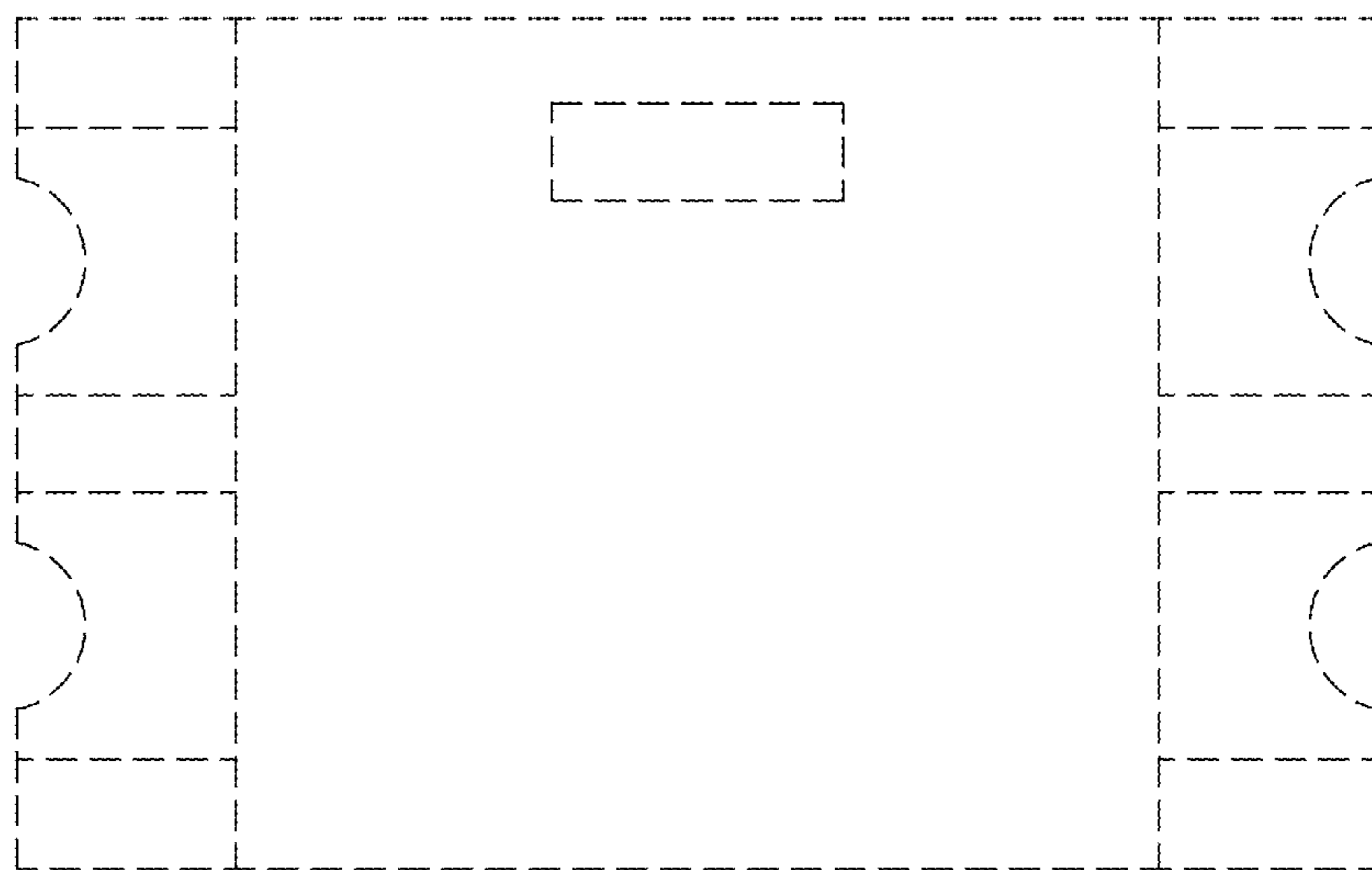


Fig. 6

