



US00D812574S

(12) **United States Design Patent**  
**Amano**

(10) **Patent No.:** **US D812,574 S**  
(45) **Date of Patent:** **\*\* Mar. 13, 2018**

(54) **SWITCH**

(71) Applicants: **CITIZEN ELECTRONICS CO., LTD.**, Yamanashi-ken (JP); **CITIZEN WATCH CO., LTD.**, Tokyo (JP)

(72) Inventor: **Kaori Amano**, Yamanashi-ken (JP)

(73) Assignees: **CITIZEN ELECTRONICS CO., LTD.**, Yamanashi-Ken (JP); **CITIZEN WATCH CO., LTD.**, Tokyo (JP)

(\*\*) Term: **15 Years**

(21) Appl. No.: **29/601,213**

(22) Filed: **Apr. 20, 2017**

**Related U.S. Application Data**

(62) Division of application No. 29/539,655, filed on Sep. 16, 2015, now Pat. No. Des. 789,307.

(30) **Foreign Application Priority Data**

Mar. 23, 2015 (JP) ..... D2015-006256  
Mar. 23, 2015 (JP) ..... D2015-006264  
Mar. 23, 2015 (JP) ..... D2015-006265

(51) **LOC (11) Cl.** ..... **13-03**

(52) **U.S. Cl.**  
USPC ..... **D13/158**; D13/171

(58) **Field of Classification Search**  
USPC ..... D13/158, 160, 171, 180  
CPC ..... H01H 13/02; H01H 13/04; H01H 13/14;  
H01H 13/48; H01H 13/50; H01H 13/7006; H01H 13/705; H01H 13/85;  
H01H 5/30; H01H 13/83  
See application file for complete search history.

(56) **References Cited**

**U.S. PATENT DOCUMENTS**

6,646,217 B2 11/2003 Omata  
6,747,218 B2 6/2004 Huseman

7,075,020 B2 7/2006 Asada  
7,557,320 B1 7/2009 Crooijmans  
8,212,160 B2\* 7/2012 Tsao ..... H01H 13/64  
200/1 B  
D680,503 S 4/2013 Kawashima  
D688,636 S 8/2013 Oishi  
8,759,704 B2 6/2014 Inamoto  
8,809,709 B2\* 8/2014 Watanabe ..... H01H 13/04  
200/294  
D714,230 S 9/2014 Sun  
D719,924 S 12/2014 Ueno  
D741,819 S 10/2015 Ueno

(Continued)

**FOREIGN PATENT DOCUMENTS**

JP D1425373 10/2011  
JP D1425595 10/2011

*Primary Examiner* — Selina Sikder

(74) *Attorney, Agent, or Firm* — Wenderoth, Lind & Ponack, L.L.P.

(57) **CLAIM**

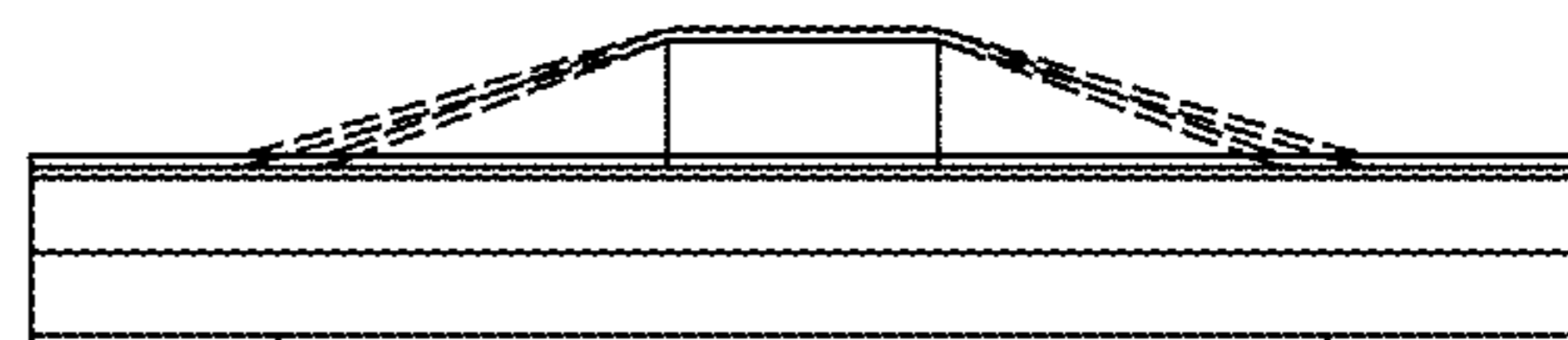
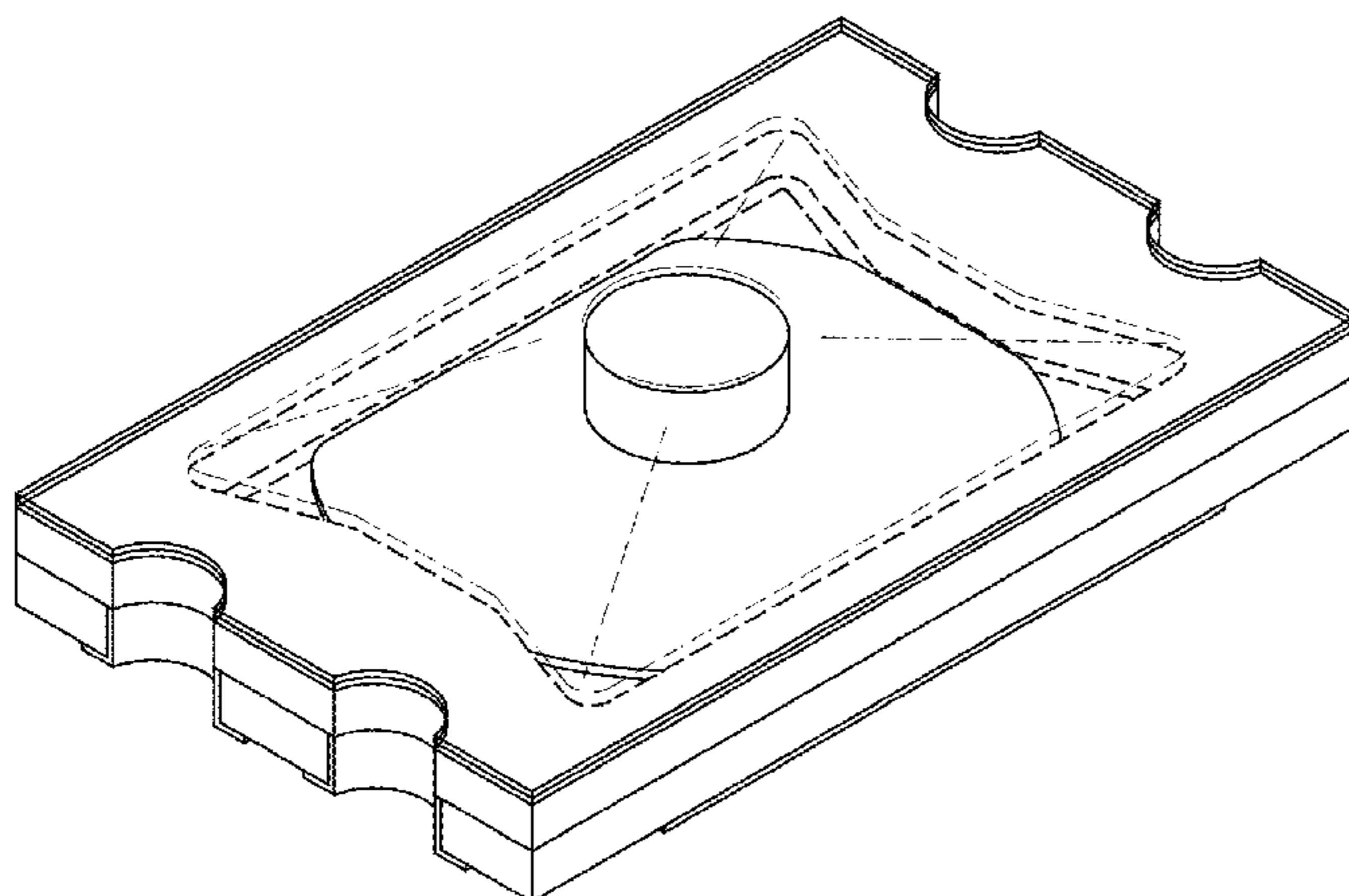
The ornamental design for a switch, as shown and described.

**DESCRIPTION**

FIG. 1 is a top perspective view of a switch showing an upper surface with front and left side surfaces; FIG. 2 is a bottom perspective view thereof showing a bottom surface with rear and right side surfaces; FIG. 3 is a front view thereof, a rear view being identical to FIG. 3; FIG. 4 is a top plan view thereof; FIG. 5 is a bottom plan view thereof; and, FIG. 6 is a left side view thereof, a right side view being identical to FIG. 6.

The broken lines shown herein are for illustrative purpose only and form no part of the claimed design.

**1 Claim, 3 Drawing Sheets**



(56)

**References Cited**

U.S. PATENT DOCUMENTS

9,406,460	B2	8/2016	Nakaoka	
D789,307	S *	6/2017	Amano .....	D13/180
9,793,072	B2 *	10/2017	Watanabe .....	H01H 13/50
2011/0284357	A1	11/2011	Yasunaga	
2012/0055773	A1	3/2012	Nakaoka	
2013/0068599	A1	3/2013	Kikuchi	
2013/0087443	A1 *	4/2013	Kikuchi .....	H01H 13/48 200/520

\* cited by examiner

Fig. 1

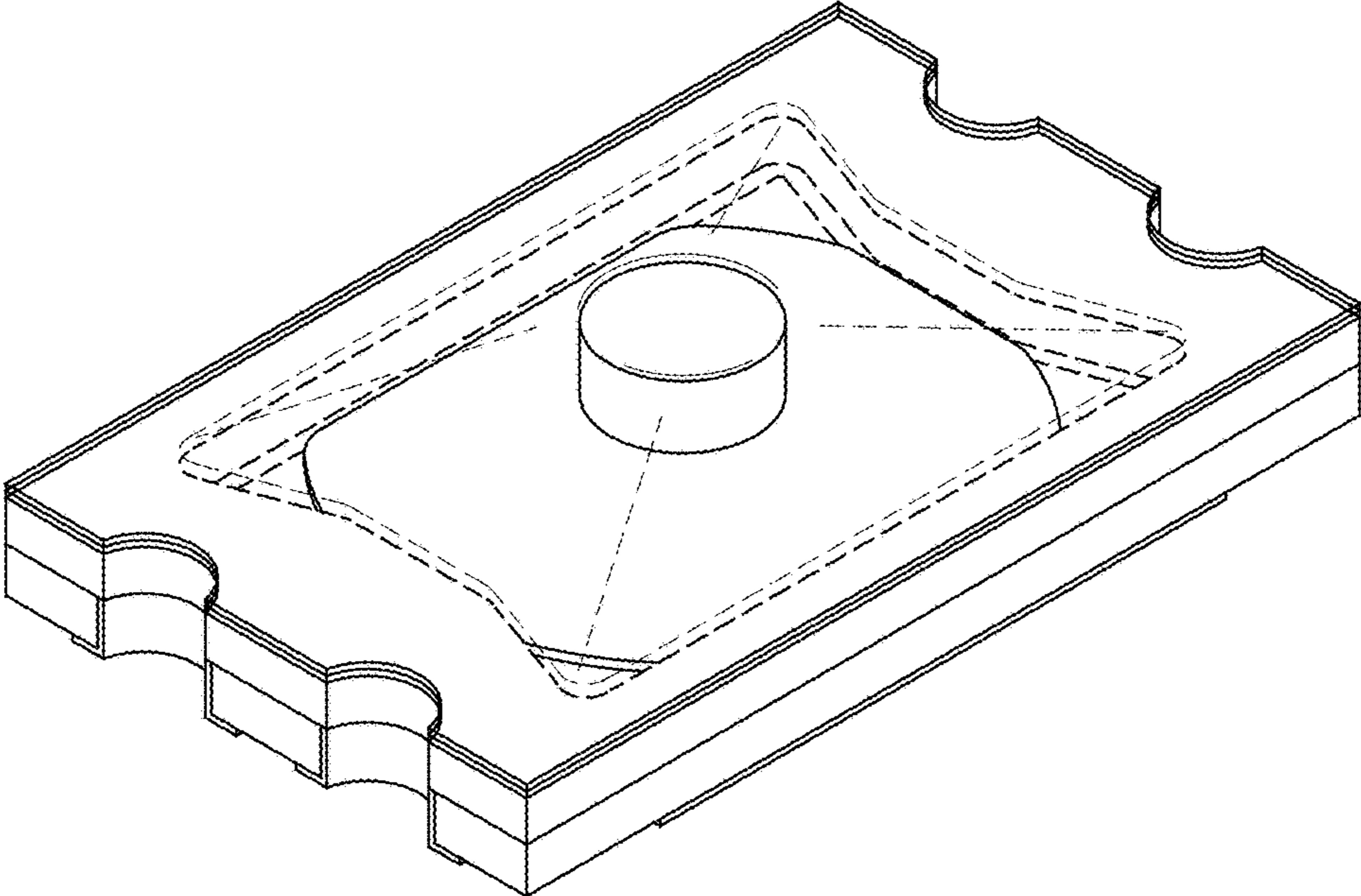


Fig. 2

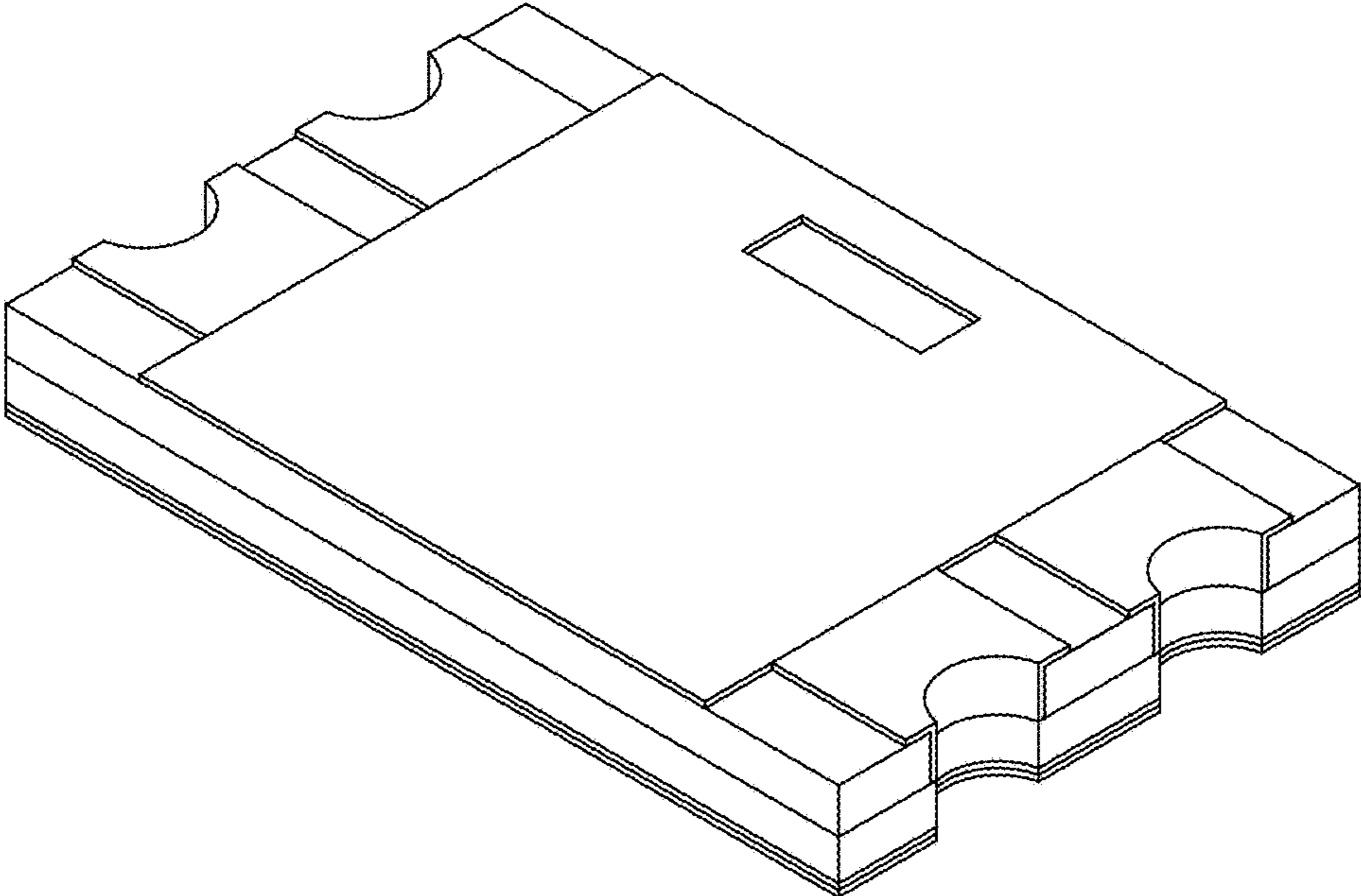


Fig. 3

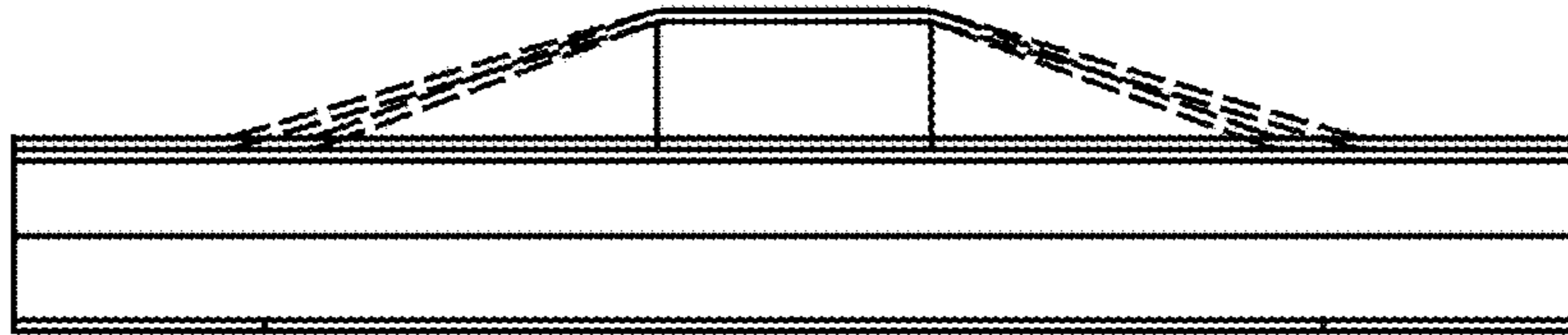


Fig. 4

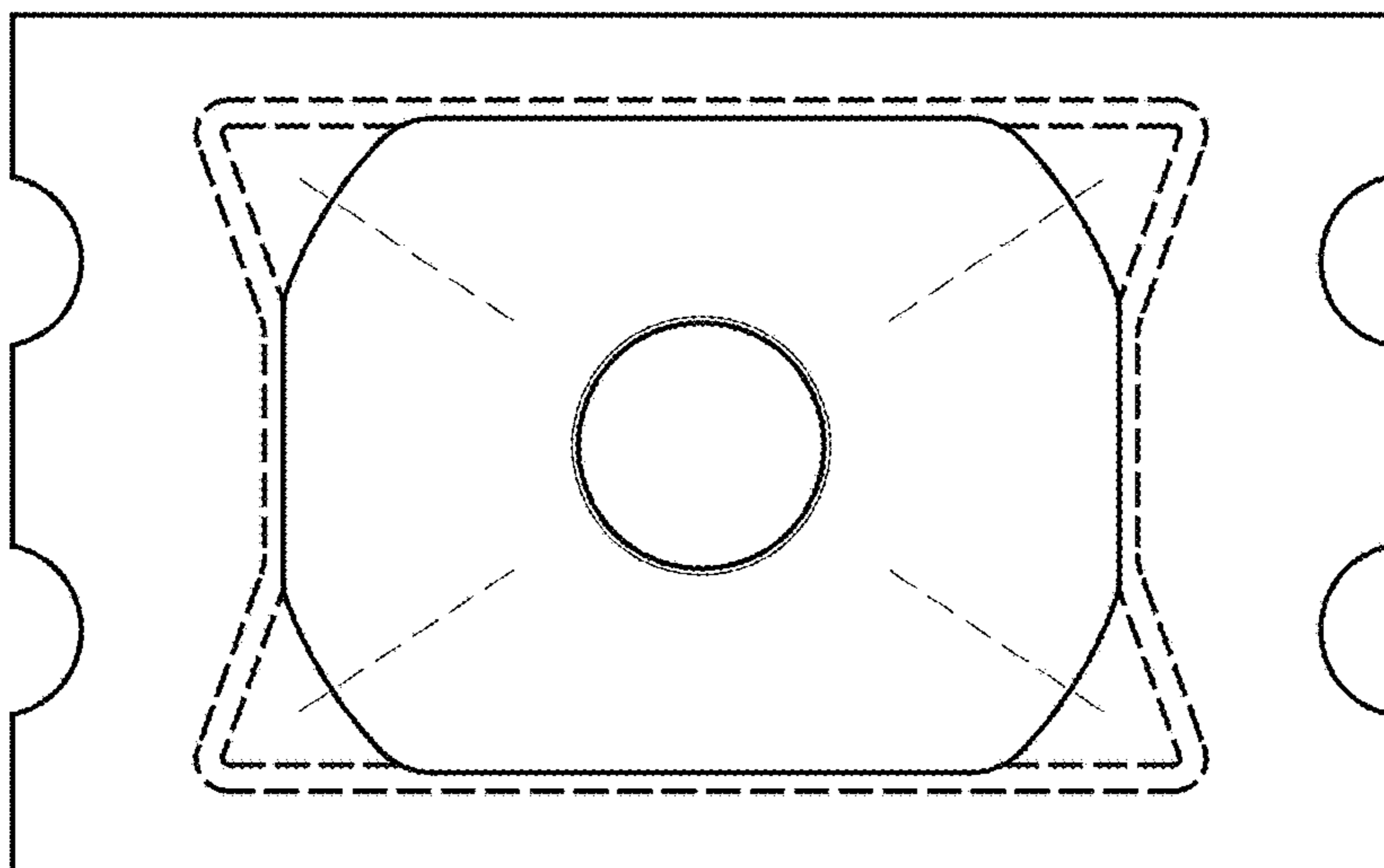


Fig. 5

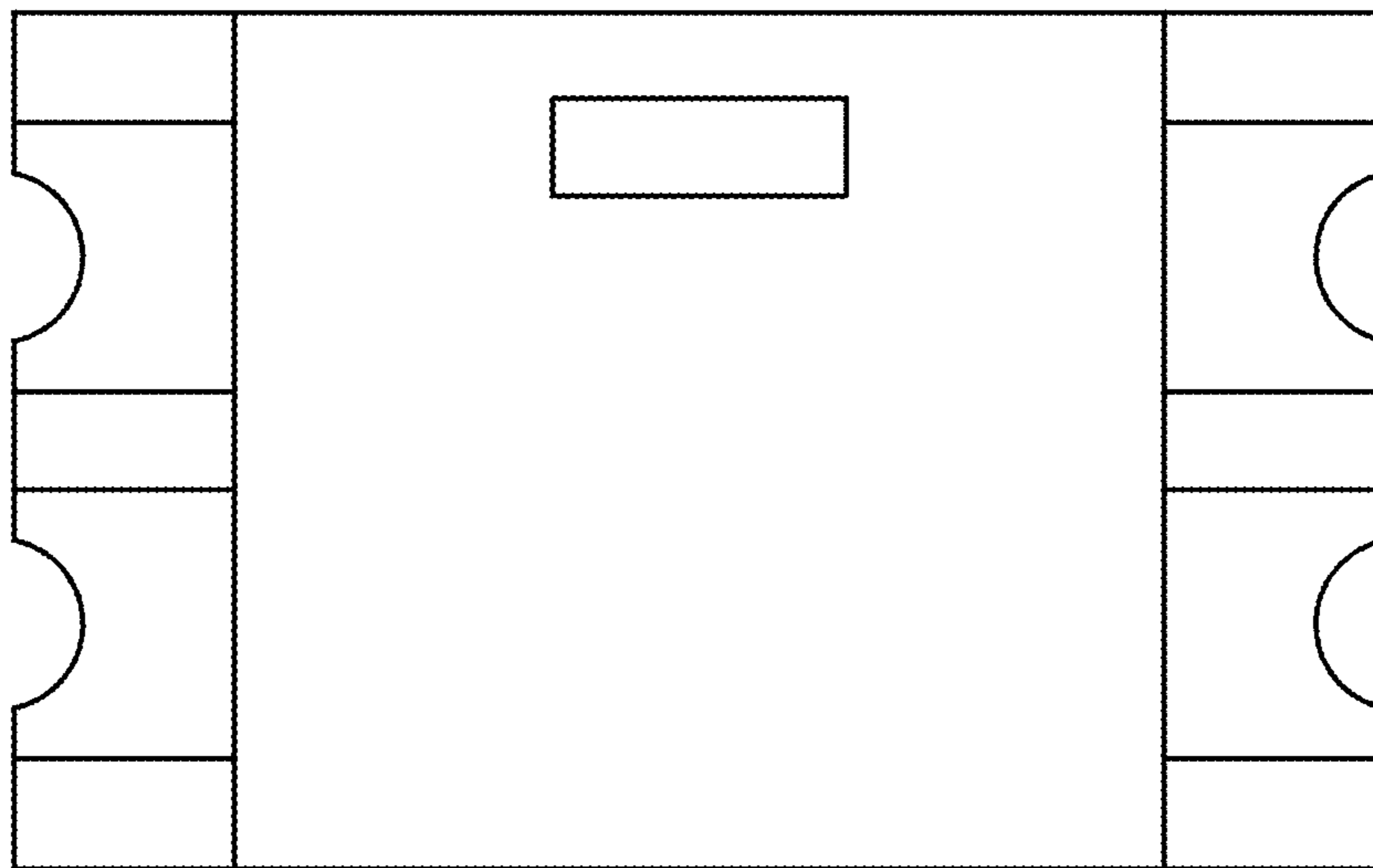


Fig. 6

