



US00D812572S

(12) **United States Design Patent**
Fontaine et al.

(10) **Patent No.:** **US D812,572 S**
(45) **Date of Patent:** **** Mar. 13, 2018**

(54) **ADAPTER FOR PATCH PANEL ASSEMBLY**

7,641,513 B2 * 1/2010 Hoath H04Q 1/136
439/490

(71) Applicant: **BELDEN CANADA INC.**,
Saint-Laurent (CA)

7,686,643 B2 * 3/2010 Pepe H04Q 1/136
439/489

(72) Inventors: **Marc Fontaine**, Les Cedres (CA);
Jean-Sebastien Plamondon, Laval
(CA)

D664,025 S * 7/2012 Horn D8/354
9,078,051 B2 * 7/2015 Ruiz H04Q 1/136
9,348,104 B2 * 5/2016 Thijs H05K 7/186
2009/0053923 A1 * 2/2009 Navarro G01R 31/041
439/489

(73) Assignee: **BELDEN CANADA INC.**,
Saint-Laurent (CA)

2010/0120264 A1 * 5/2010 Caveney H04Q 1/136
439/49
2011/0189886 A1 * 8/2011 Chen H04Q 1/13
439/488

(**) Term: **15 Years**

* cited by examiner

(21) Appl. No.: **29/547,095**

Primary Examiner — Selina Sikder

(22) Filed: **Dec. 1, 2015**

(74) *Attorney, Agent, or Firm* — Hugh Mansfield

(30) **Foreign Application Priority Data**

(57) **CLAIM**

Jun. 12, 2015 (CA) 162925

The ornamental design for a an adapter for patch panel assembly, as shown and described.

(51) **LOC (11) Cl.** **13-03**

DESCRIPTION

(52) **U.S. Cl.**

USPC **D13/154**

(58) **Field of Classification Search**

USPC D13/154, 156, 177, 184, 199; D8/354,
D8/356; D14/251, 256, 299

CPC H04Q 1/136

See application file for complete search history.

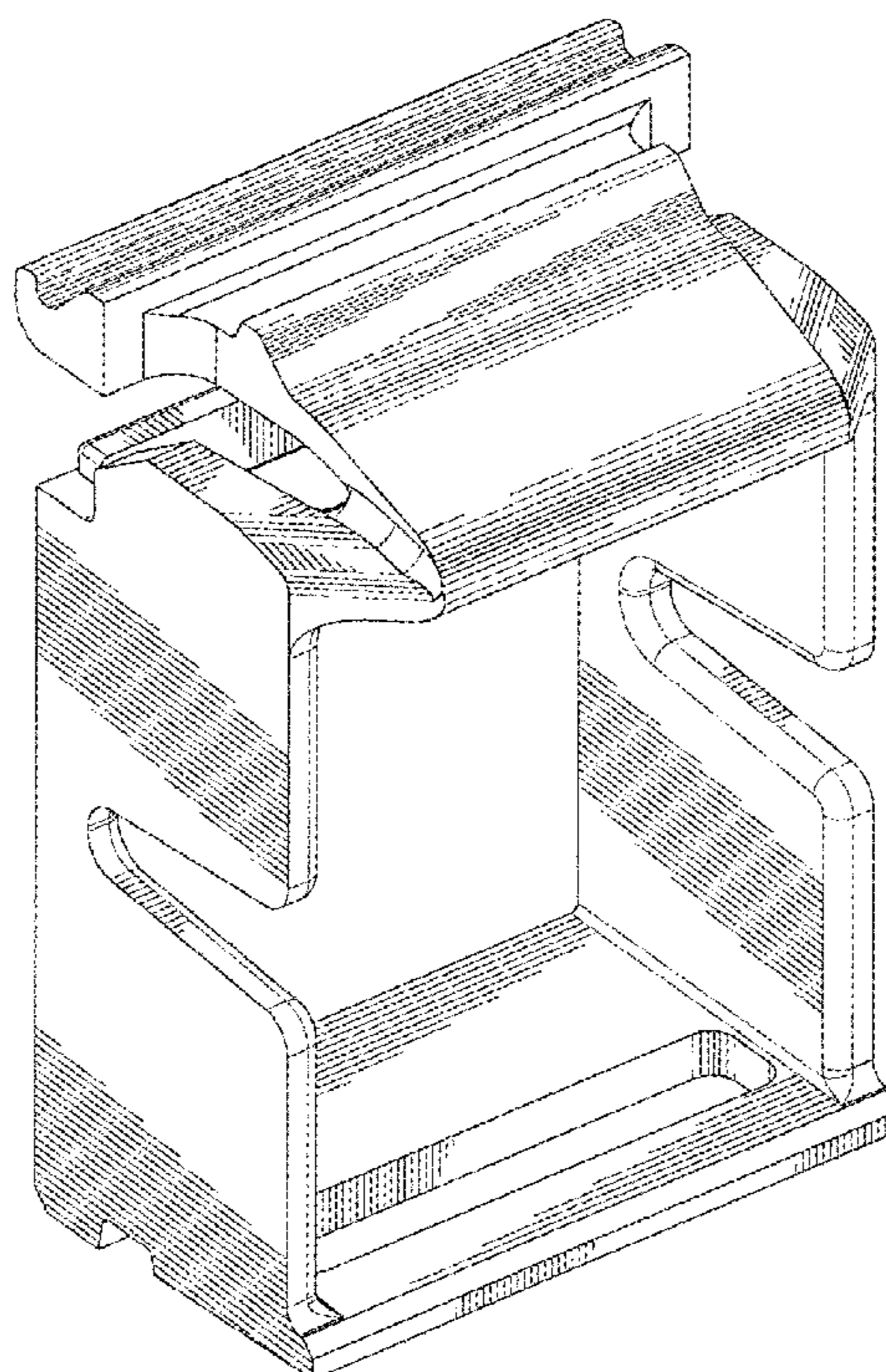
FIG. 1 is a right front raised perspective view of an adapter for patch panel assembly;
FIG. 2 is a front view thereof;
FIG. 3 is a right side view thereof;
FIG. 4 is a left side view thereof;
FIG. 5 is a rear view thereof;
FIG. 6 is a top plan view thereof;
FIG. 7 is a bottom view thereof; and,
FIG. 8 is a left rear raised perspective view of an adapter for patch panel assembly.

(56) **References Cited**

U.S. PATENT DOCUMENTS

D327,055 S * 6/1992 Derbyshire D13/156
D436,836 S * 1/2001 Erwin D8/354

1 Claim, 6 Drawing Sheets



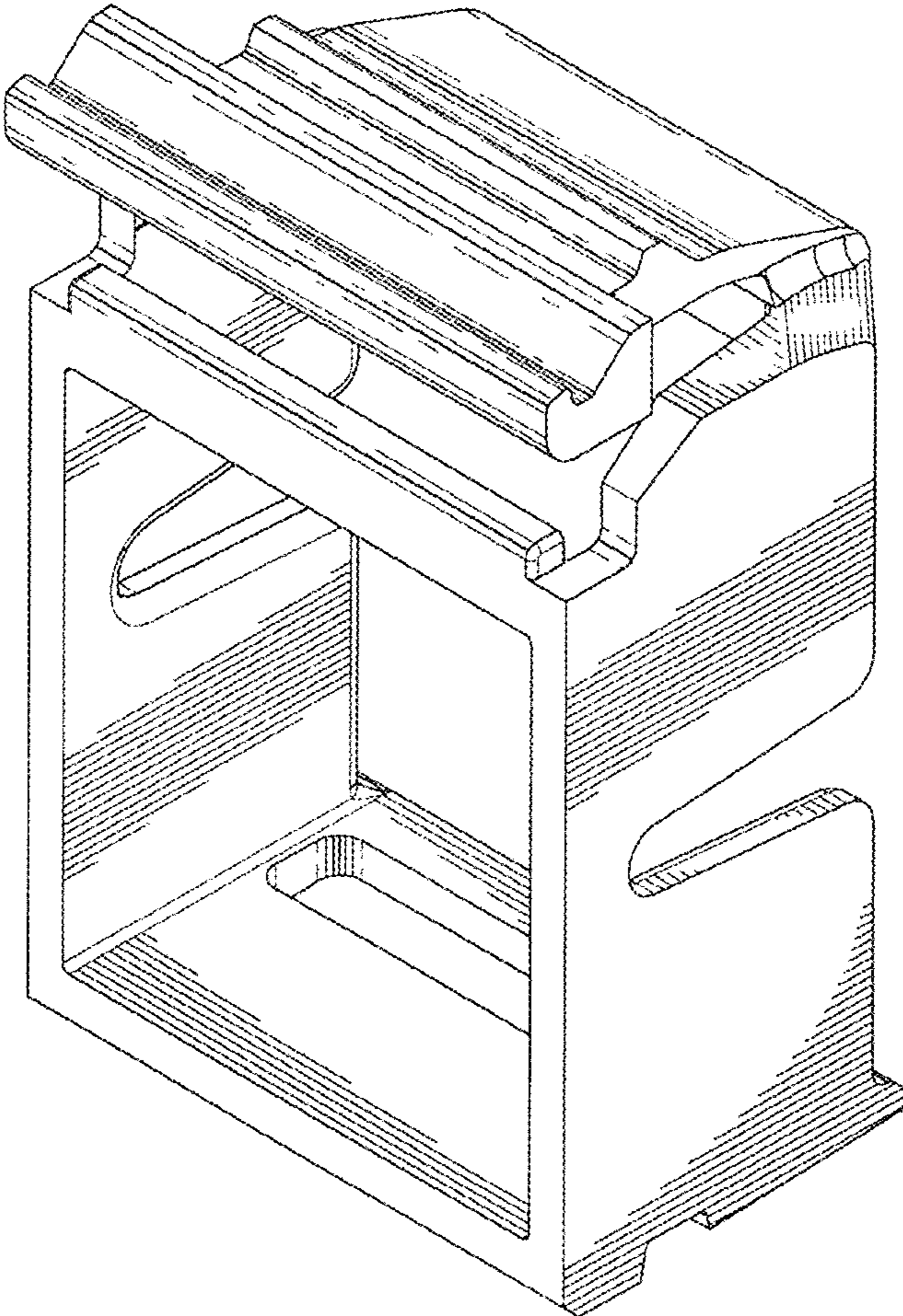


FIG. 1

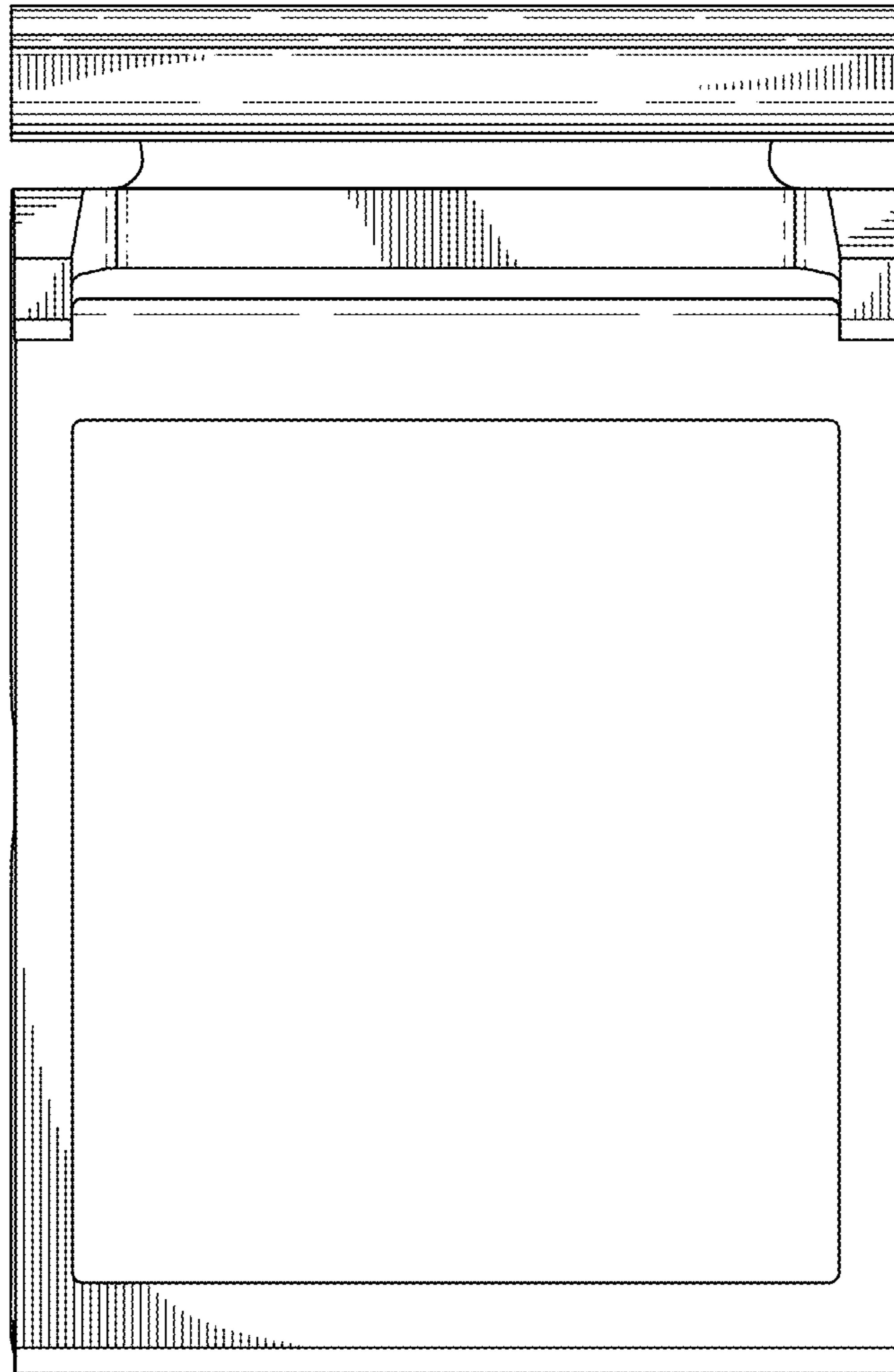


Fig. 2

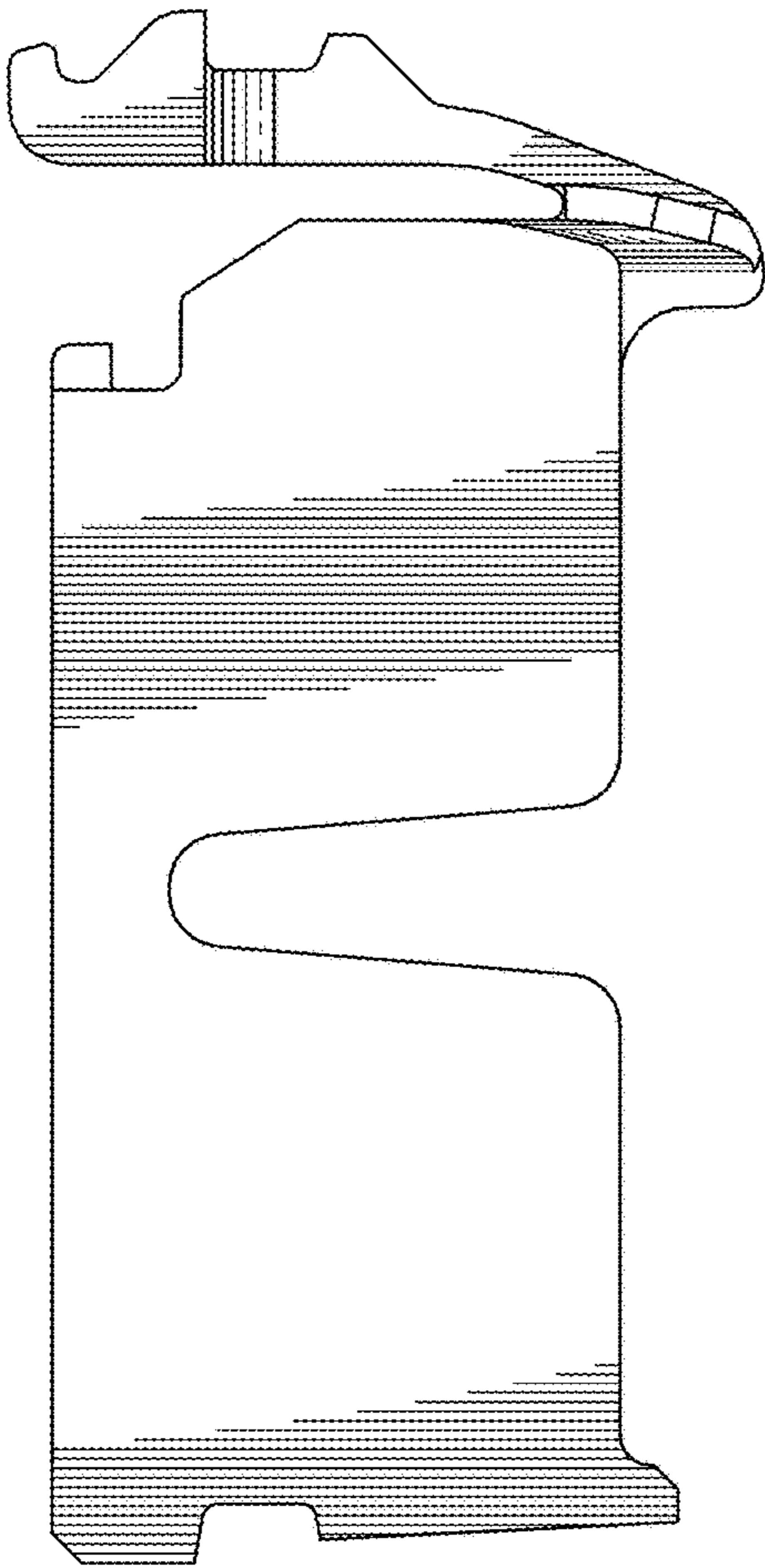


Fig. 3

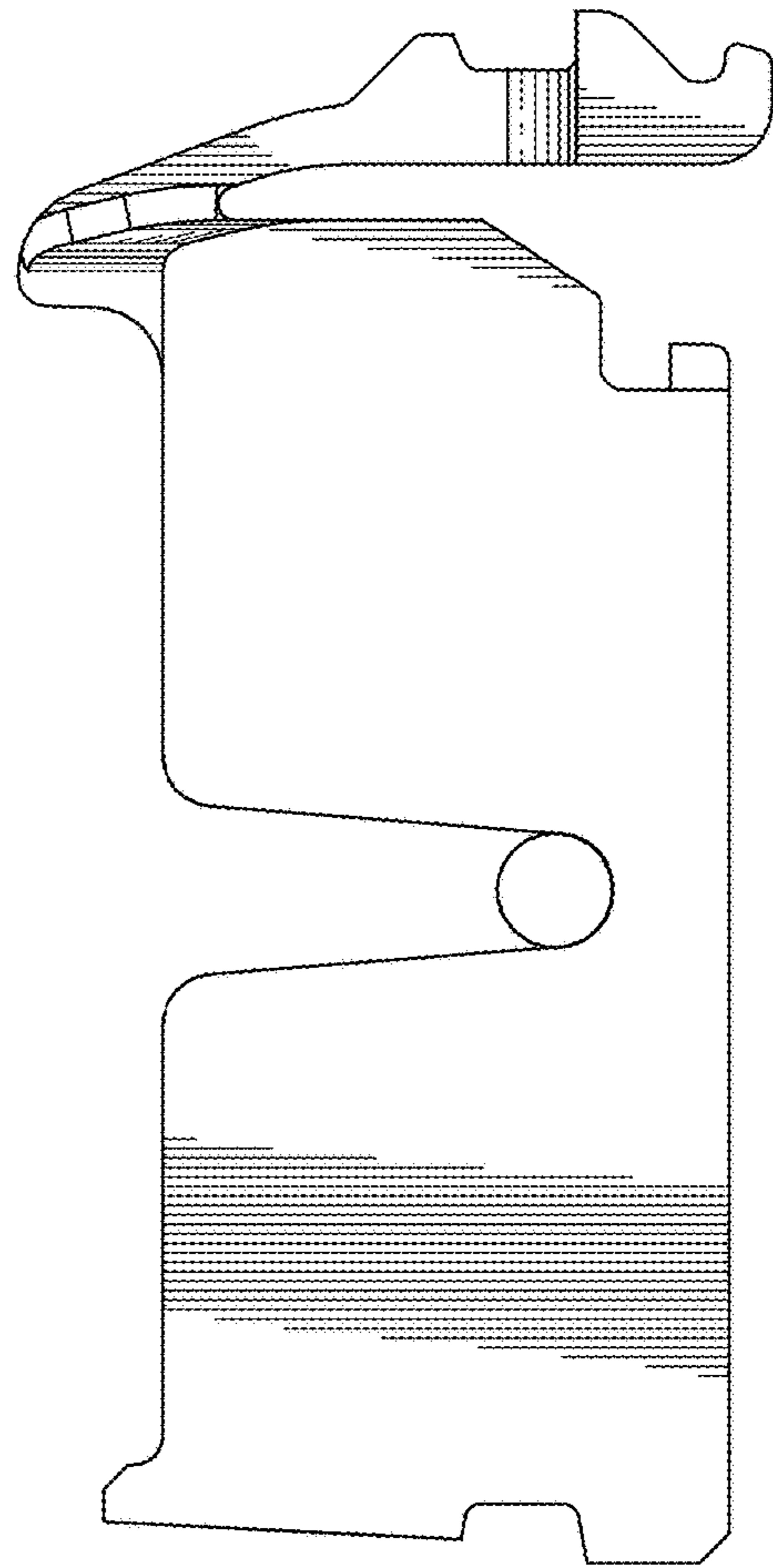


Fig. 4

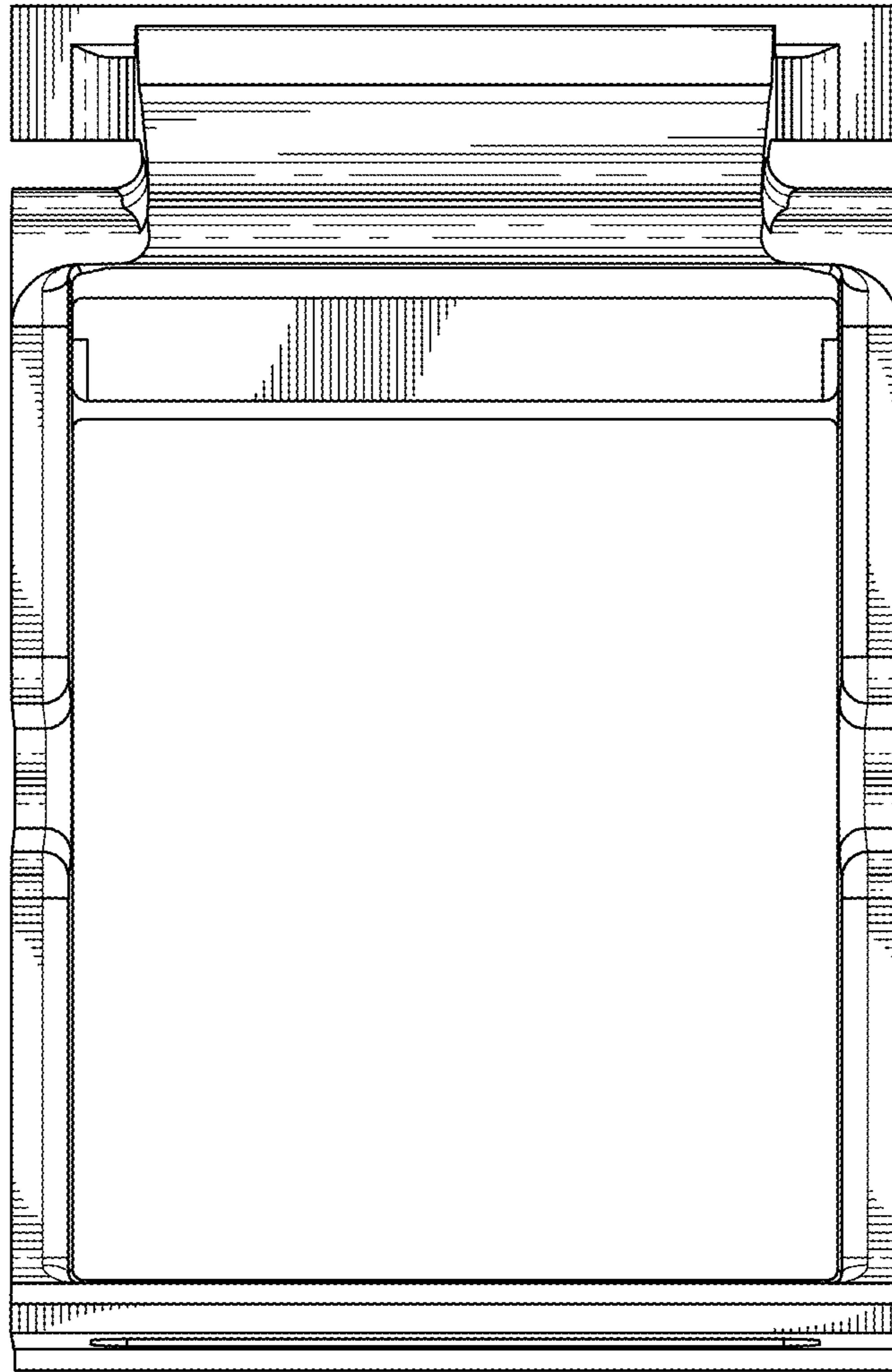


FIG. 5

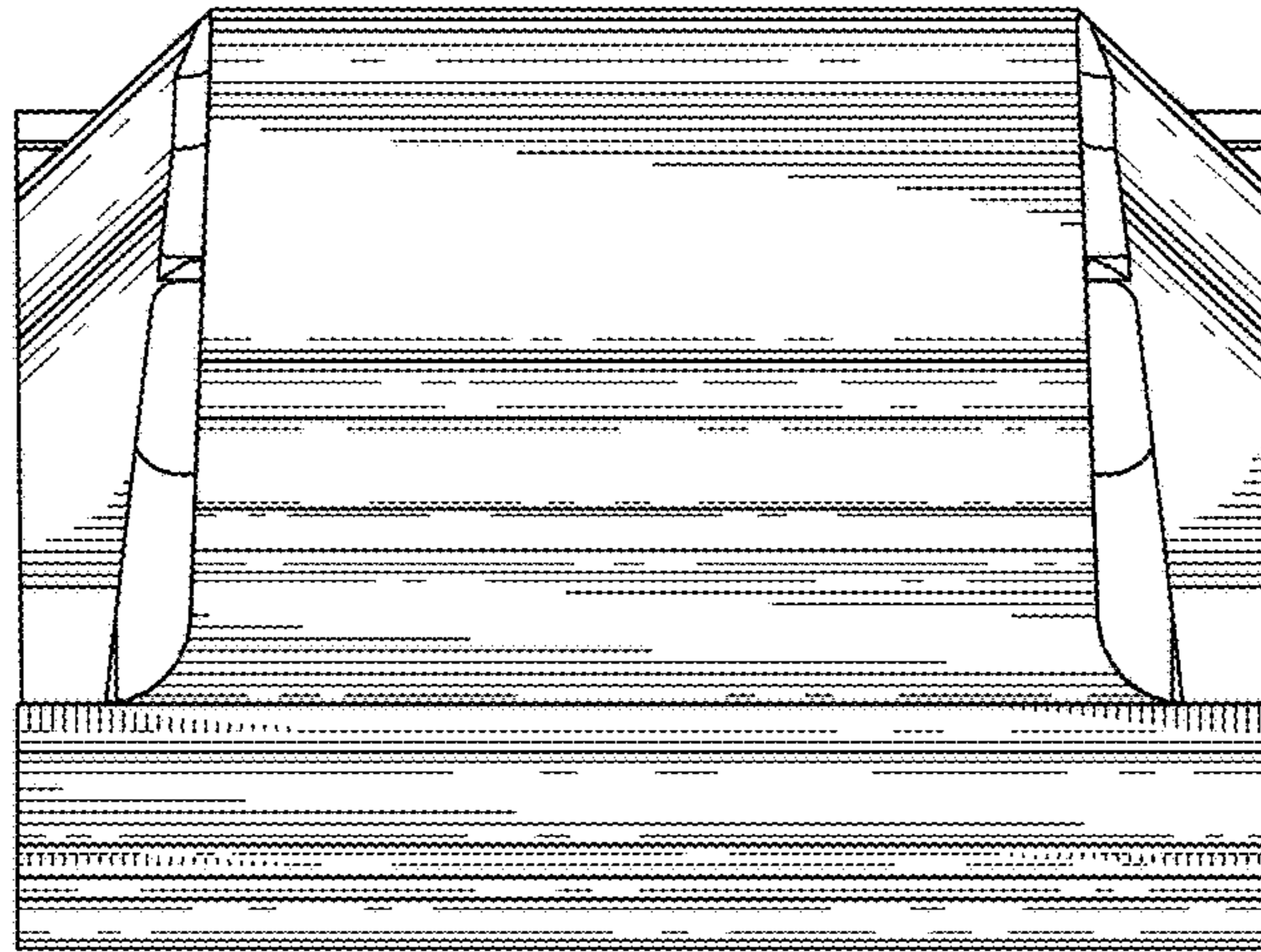


Fig-6

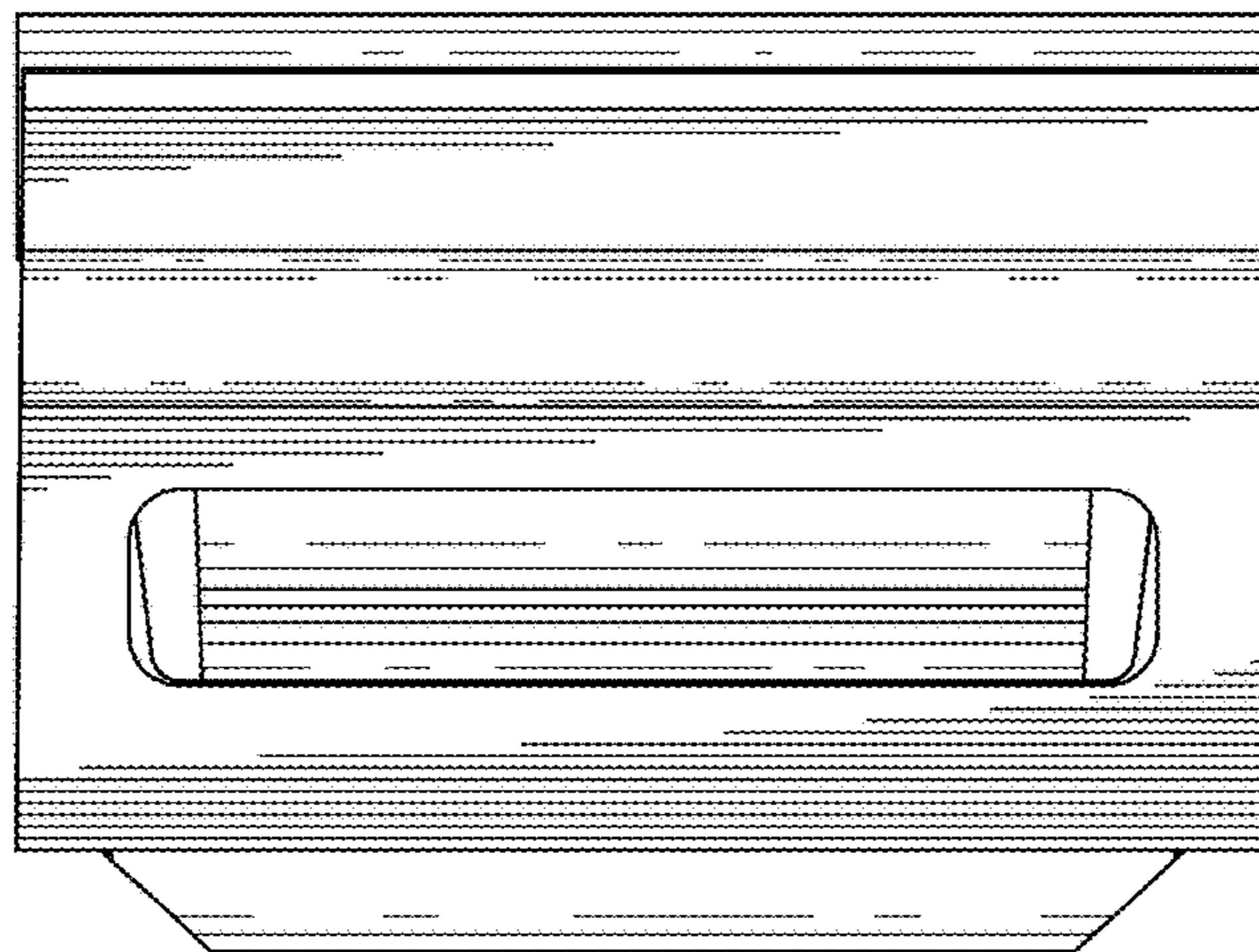


Fig-7

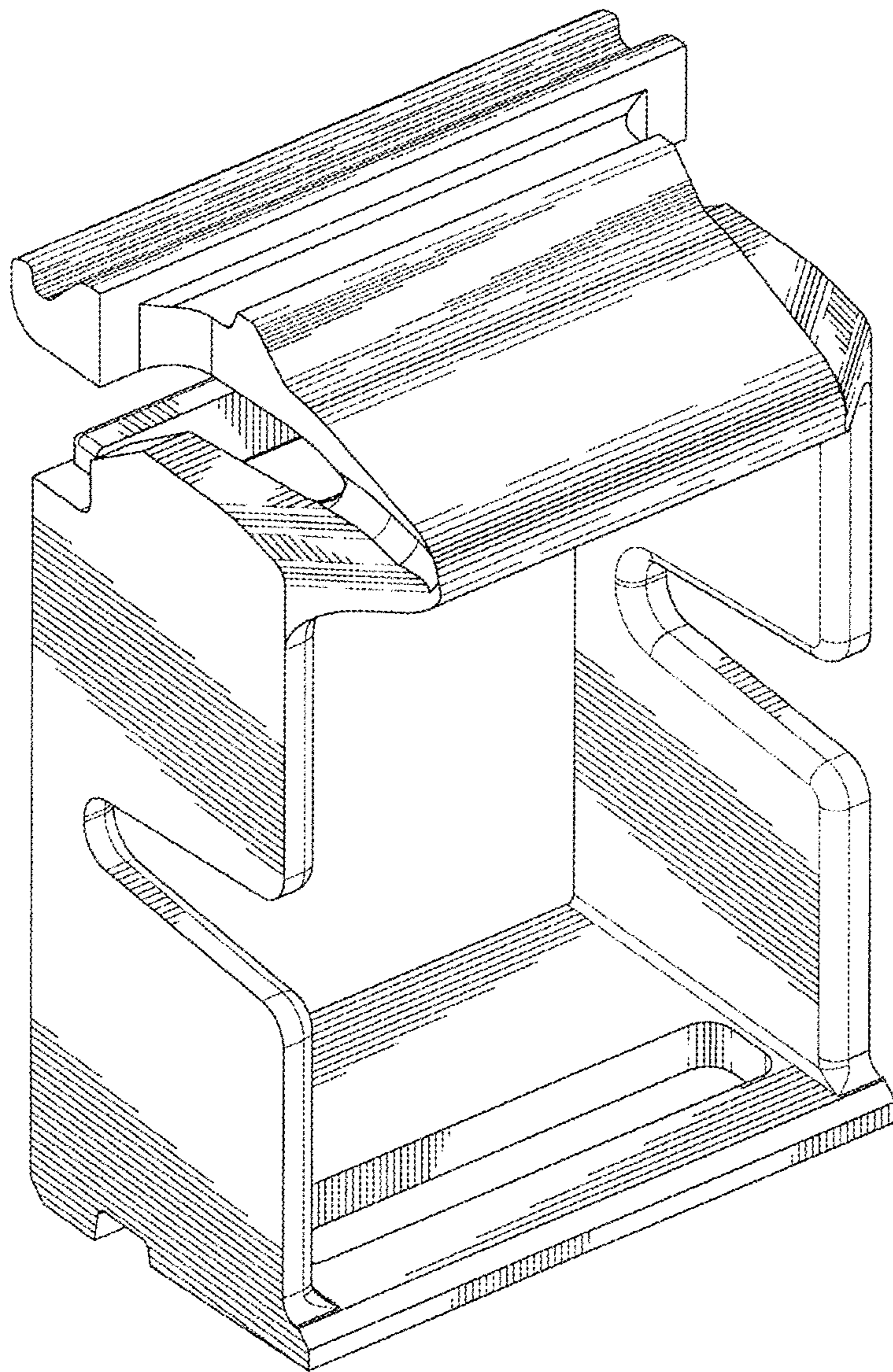


FIG. 8