



US00D812571S

(12) **United States Design Patent**  
**Jackson et al.**

(10) **Patent No.:** **US D812,571 S**  
(45) **Date of Patent:** **\*\* Mar. 13, 2018**

(54) **BOX FOR ELECTRICAL ELEMENTS**

(71) Applicant: **Hubbell Limited**, London (GB)

(72) Inventors: **Carl Jackson**, Dukinfield (GB); **Dean Renshaw**, Droylsden (GB); **Jason Clark**, Dukinfield (GB)

(73) Assignee: **Hubbell Limited**, London (GB)

(\*\*) Term: **15 Years**

(21) Appl. No.: **29/551,022**

(22) Filed: **Jan. 8, 2016**

(30) **Foreign Application Priority Data**

Jul. 10, 2015 (EM) ..... 002735282

(51) **LOC (11) Cl.** ..... **13-03**

(52) **U.S. Cl.**  
USPC ..... **D13/152**

(58) **Field of Classification Search**

USPC ..... D13/152-156, 139.1-139.3, 133, 184,  
D13/199; D8/349, 353; D14/496  
CPC .. H01H 2085/2075; H02G 3/08; H02G 3/123;  
H02G 3/081; H02G 3/14; H02G 3/16;  
H05K 5/00; H05K 5/008; H05K 5/0086;  
H05K 5/04; G06F 1/181; B65D 43/00  
See application file for complete search history.

(56) **References Cited**

**U.S. PATENT DOCUMENTS**

5,352,850 A \* 10/1994 Norris ..... H02G 3/16  
174/51  
D556,143 S \* 11/2007 Ni ..... D13/152  
D560,170 S \* 1/2008 Ni ..... D13/152  
D563,896 S \* 3/2008 Greenslate ..... D10/104.1  
D583,320 S \* 12/2008 Miyamoto ..... D13/133

D669,864 S \* 10/2012 Korcz ..... D13/156  
D722,296 S \* 2/2015 Taylor ..... D13/152  
D742,326 S \* 11/2015 Leung ..... D13/152  
D745,466 S \* 12/2015 Hagarty ..... D13/153  
9,345,157 B2 \* 5/2016 Joist  
D766,186 S \* 9/2016 Hagarty ..... D13/152  
D778,241 S \* 2/2017 Holbrook ..... D13/152  
2004/0195237 A1 \* 10/2004 Shotey ..... H02G 3/14  
220/3.2  
2017/0110863 A1 \* 4/2017 Wentworth ..... H05K 5/0204

\* cited by examiner

*Primary Examiner* — Rosemary K Tarcza

*Assistant Examiner* — Christy M Nemeth

(74) *Attorney, Agent, or Firm* — Craig J. Lervick; Larkin Hoffman Daly & Lindgren, Ltd.

(57) **CLAIM**

The ornamental design for a box for electrical elements, as shown and described.

**DESCRIPTION**

The present design application is related to U.S. Design patent application Ser. Nos. 29/551,025 and 29/551,026, both filed on the filing date of this application.

FIG. 1 is a front perspective view of a box for electrical elements of the present design;

FIG. 2 is an exploded front perspective view thereof;

FIG. 3 is a rear perspective view thereof;

FIG. 4 is a rear elevation view thereof;

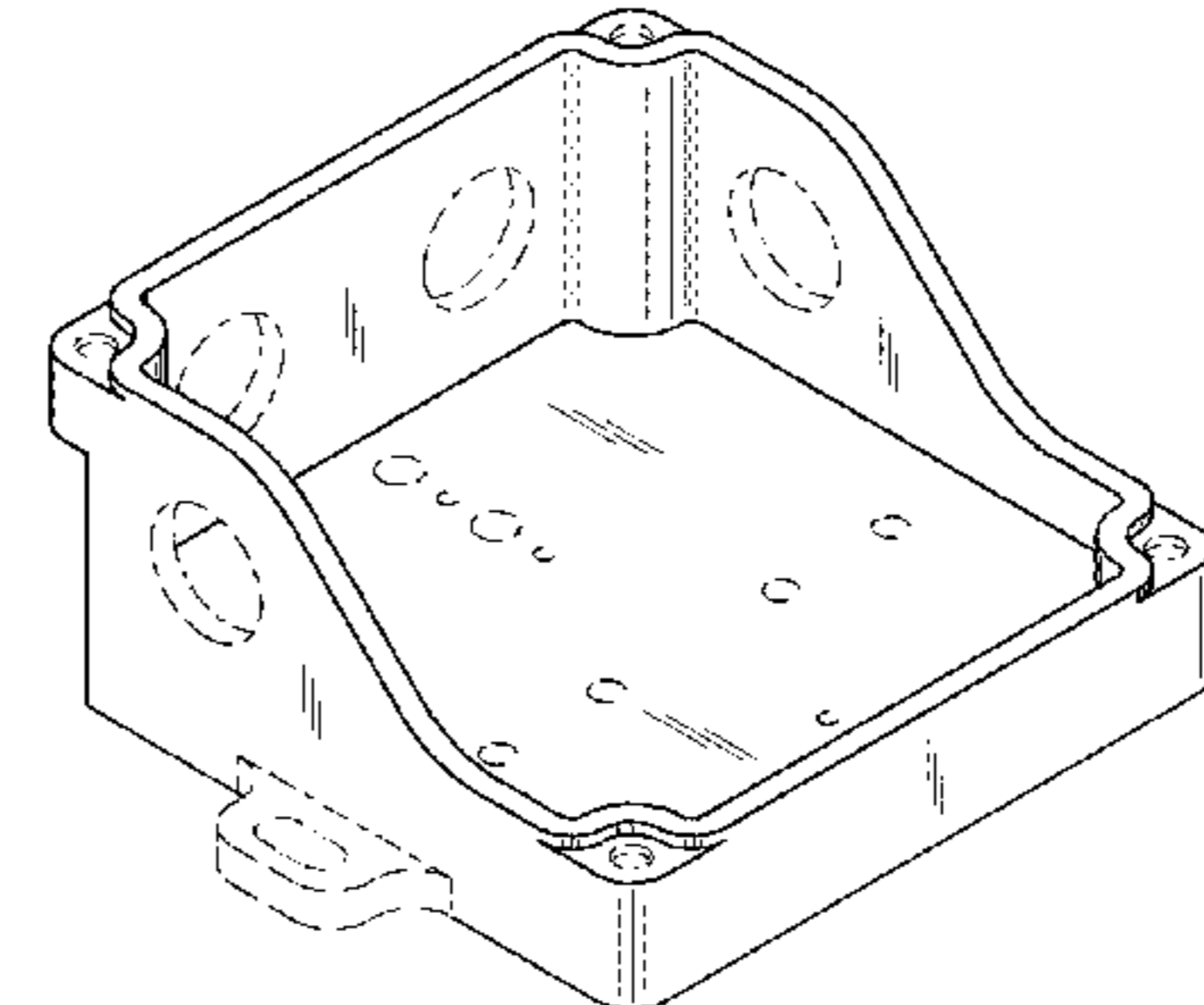
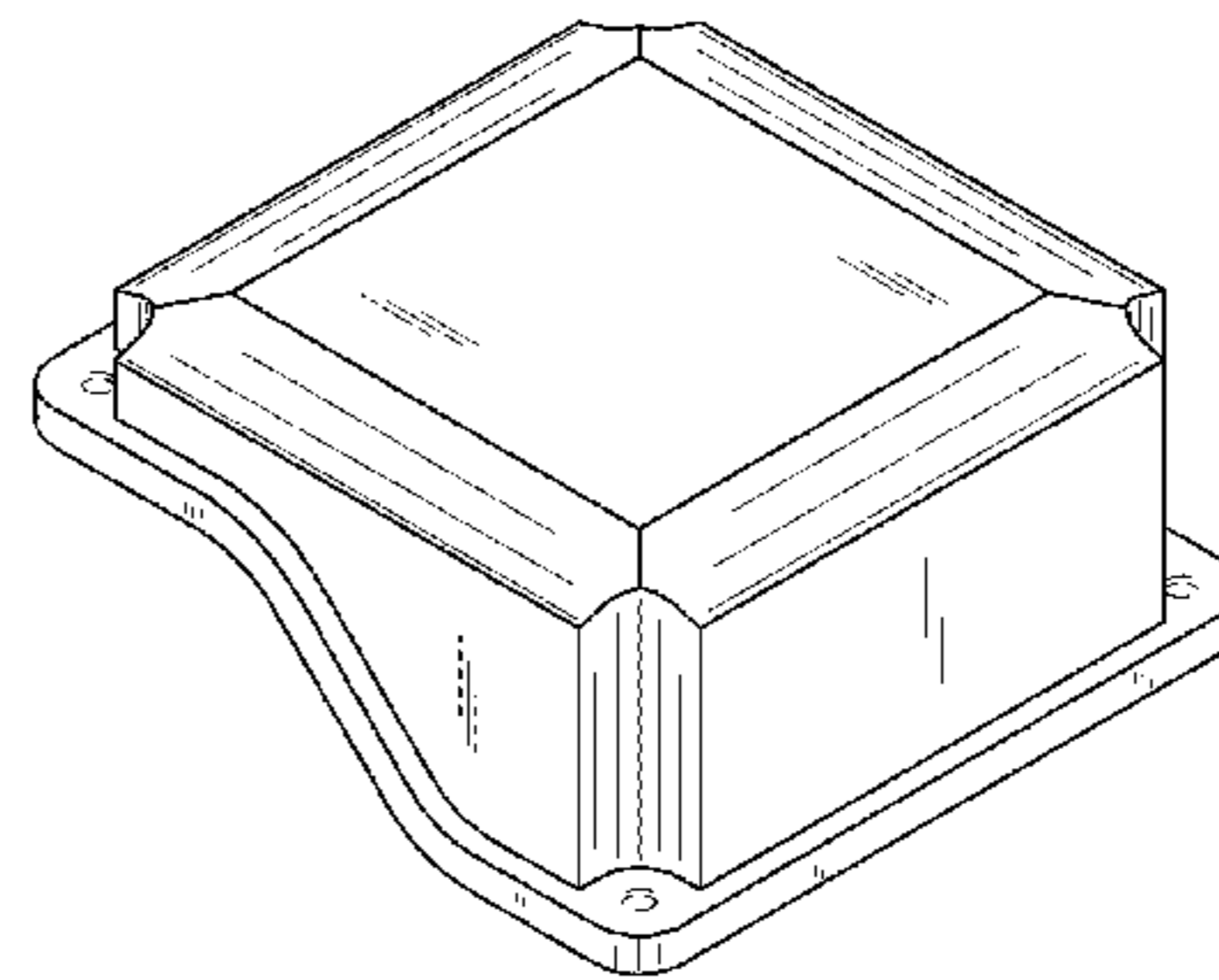
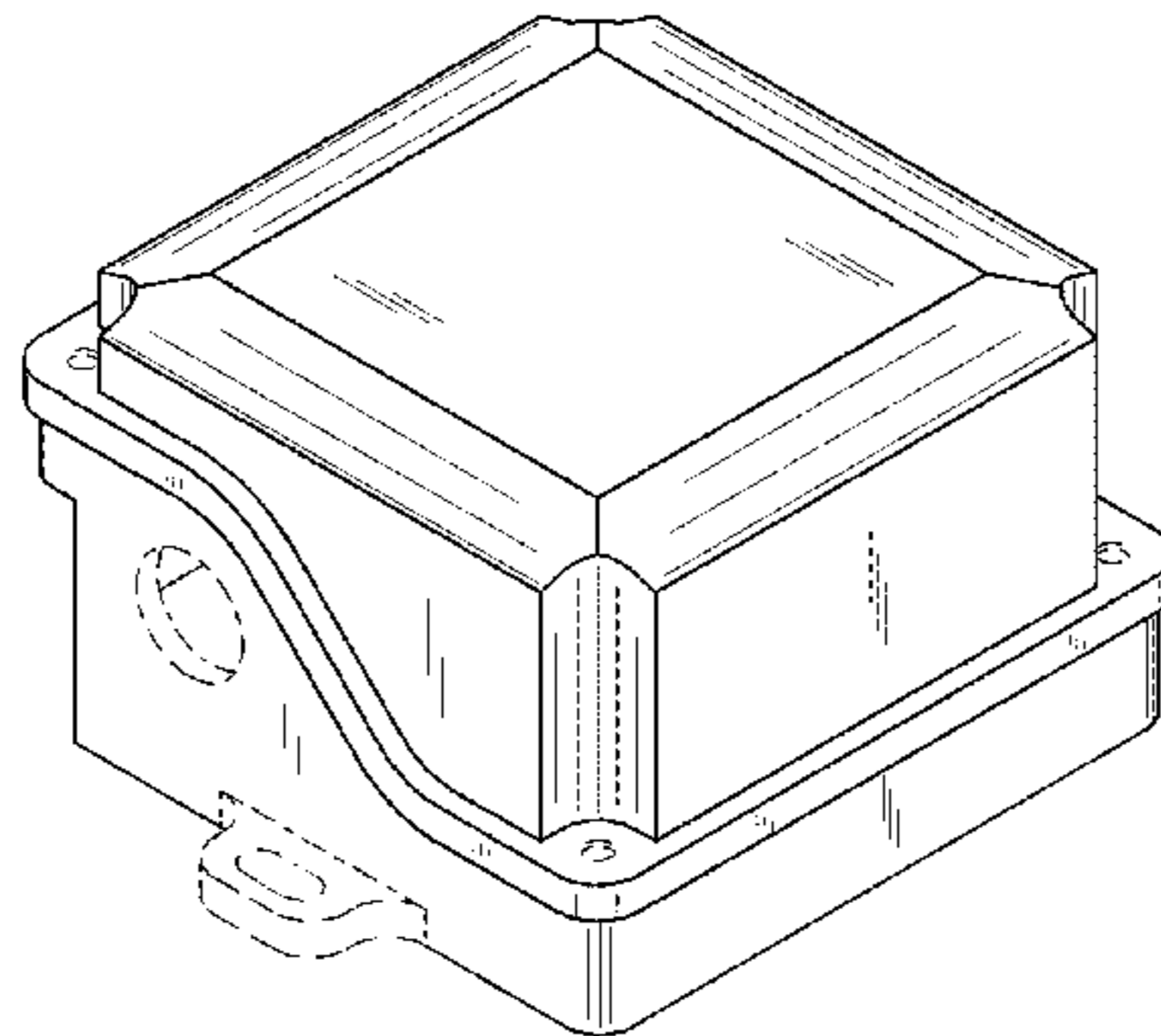
FIG. 5 is a right side elevation view, the left side being a mirror image thereof;

FIG. 6 is a top plan view thereof; and,

FIG. 7 is a bottom plan view thereof.

The broken lines in the drawings are for purposes of illustrating unclaimed elements of the box for electrical elements and form no part of the claimed design.

**1 Claim, 7 Drawing Sheets**



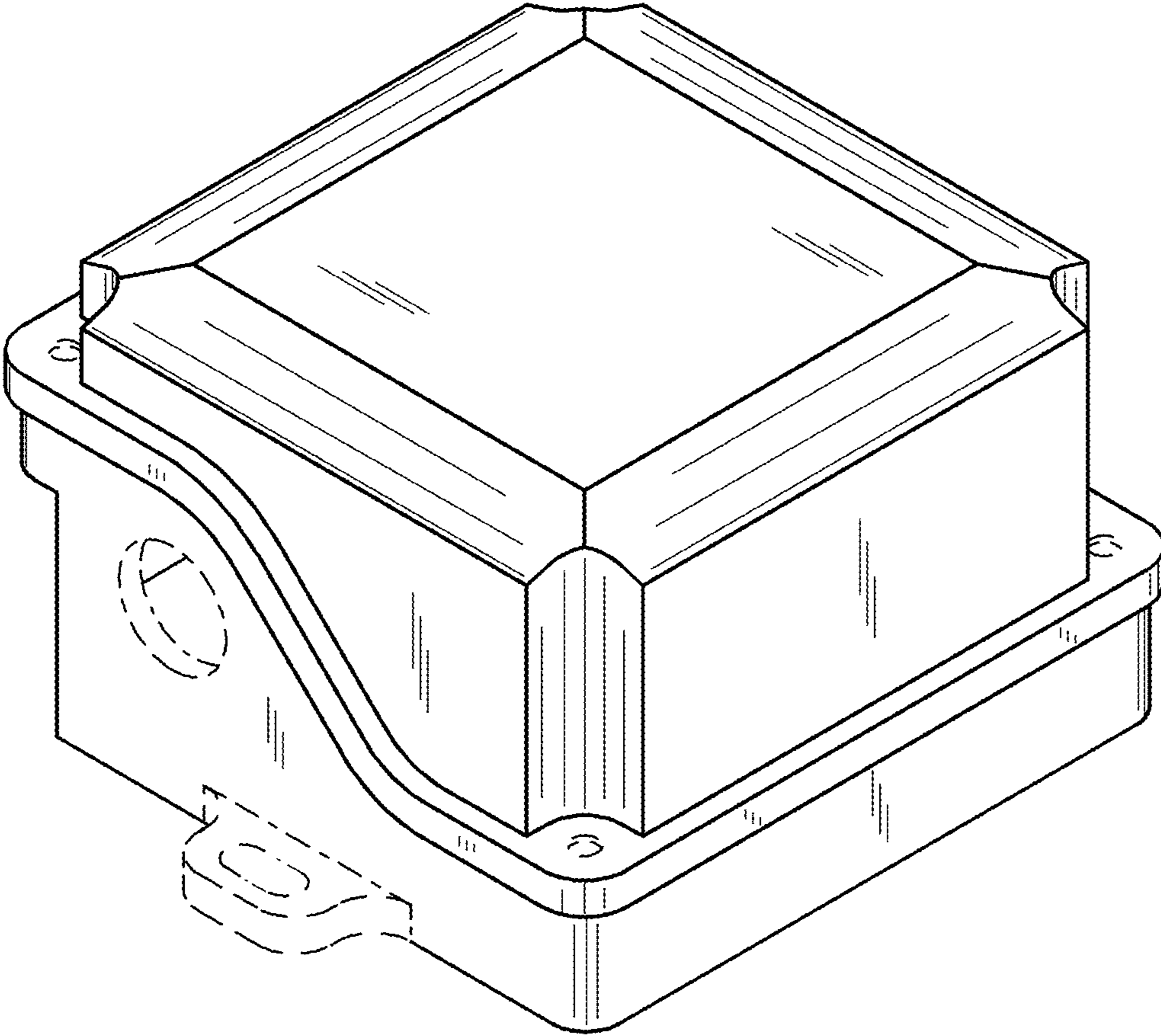


Fig. 1

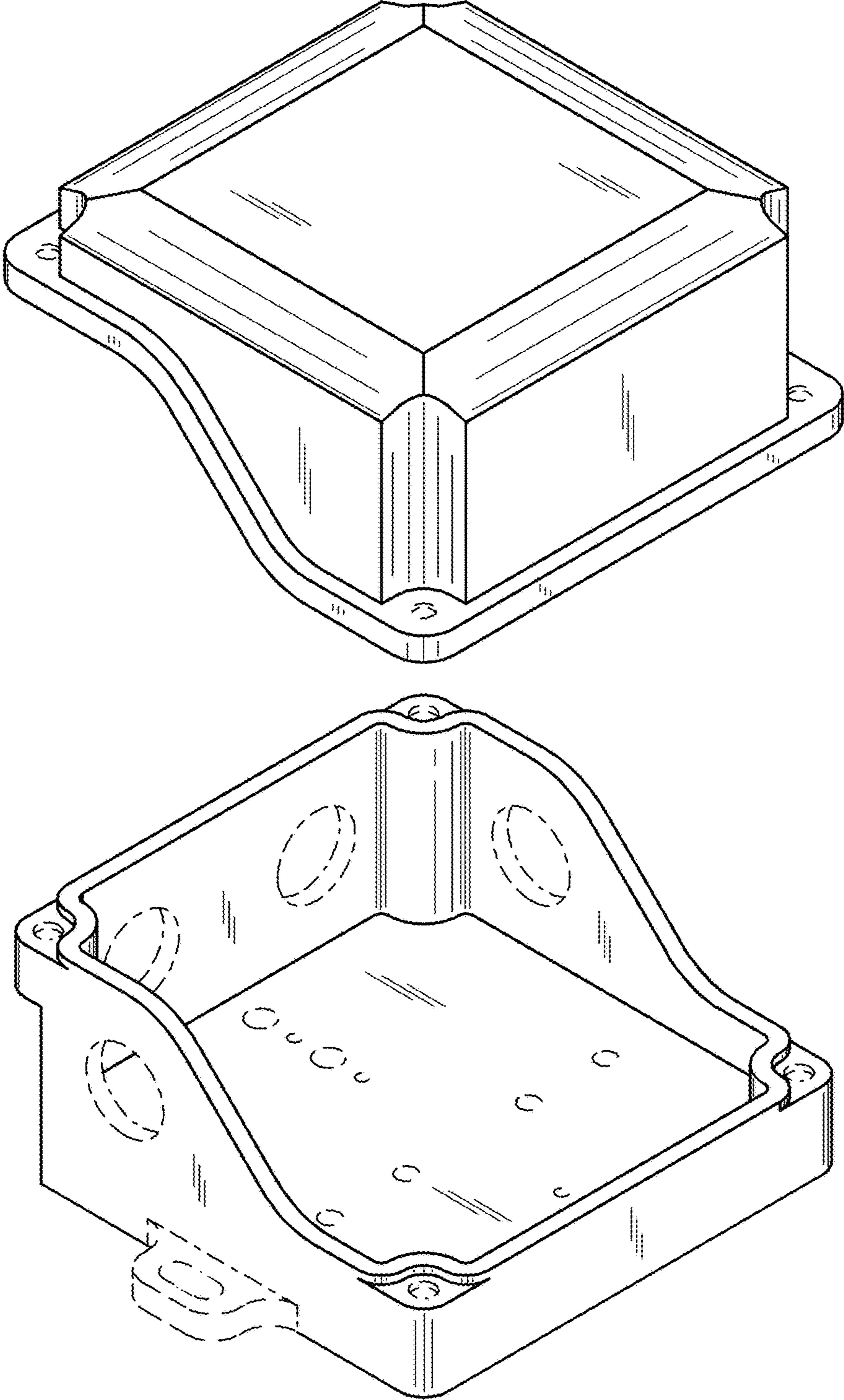


Fig. 2

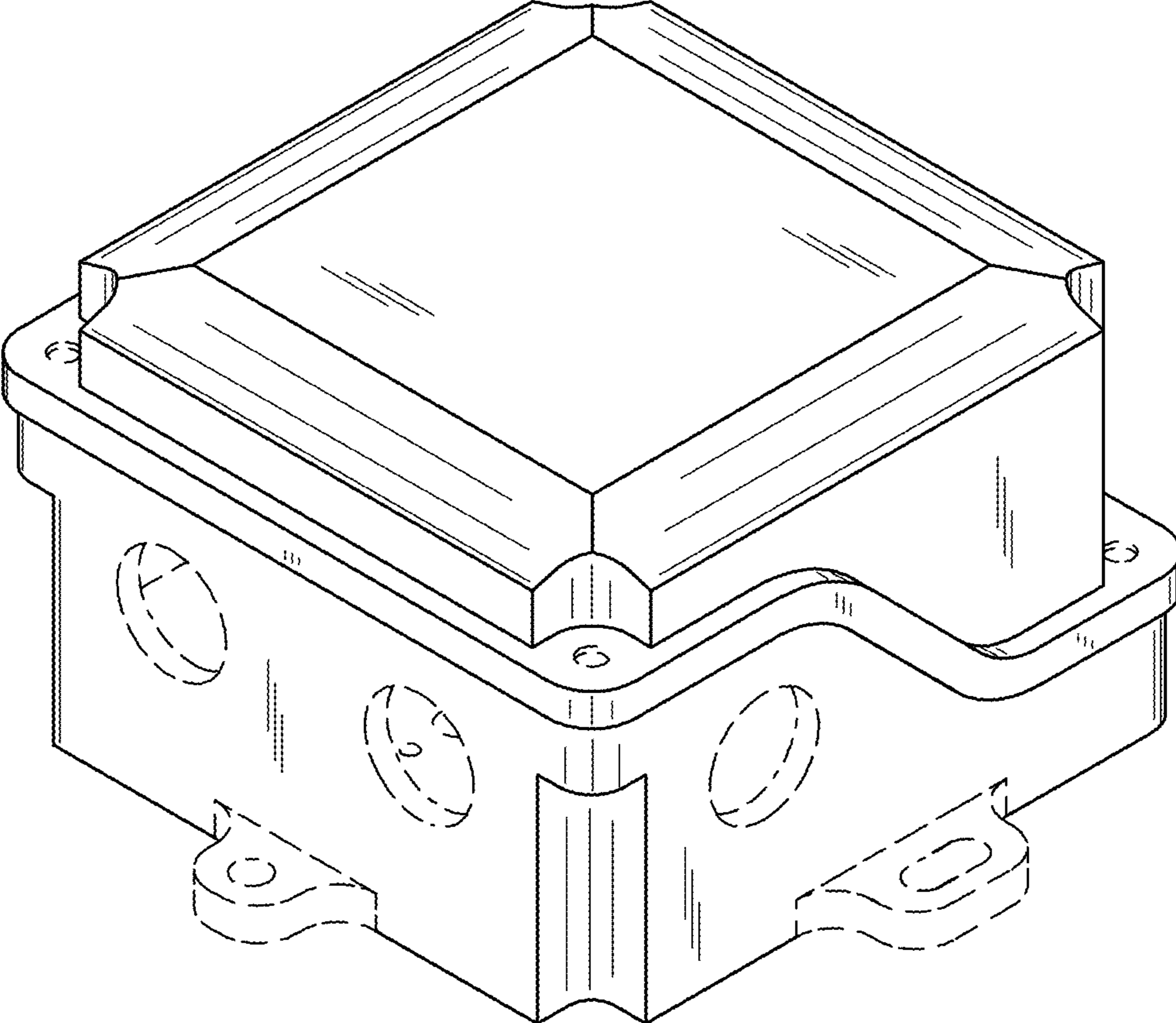


Fig. 3

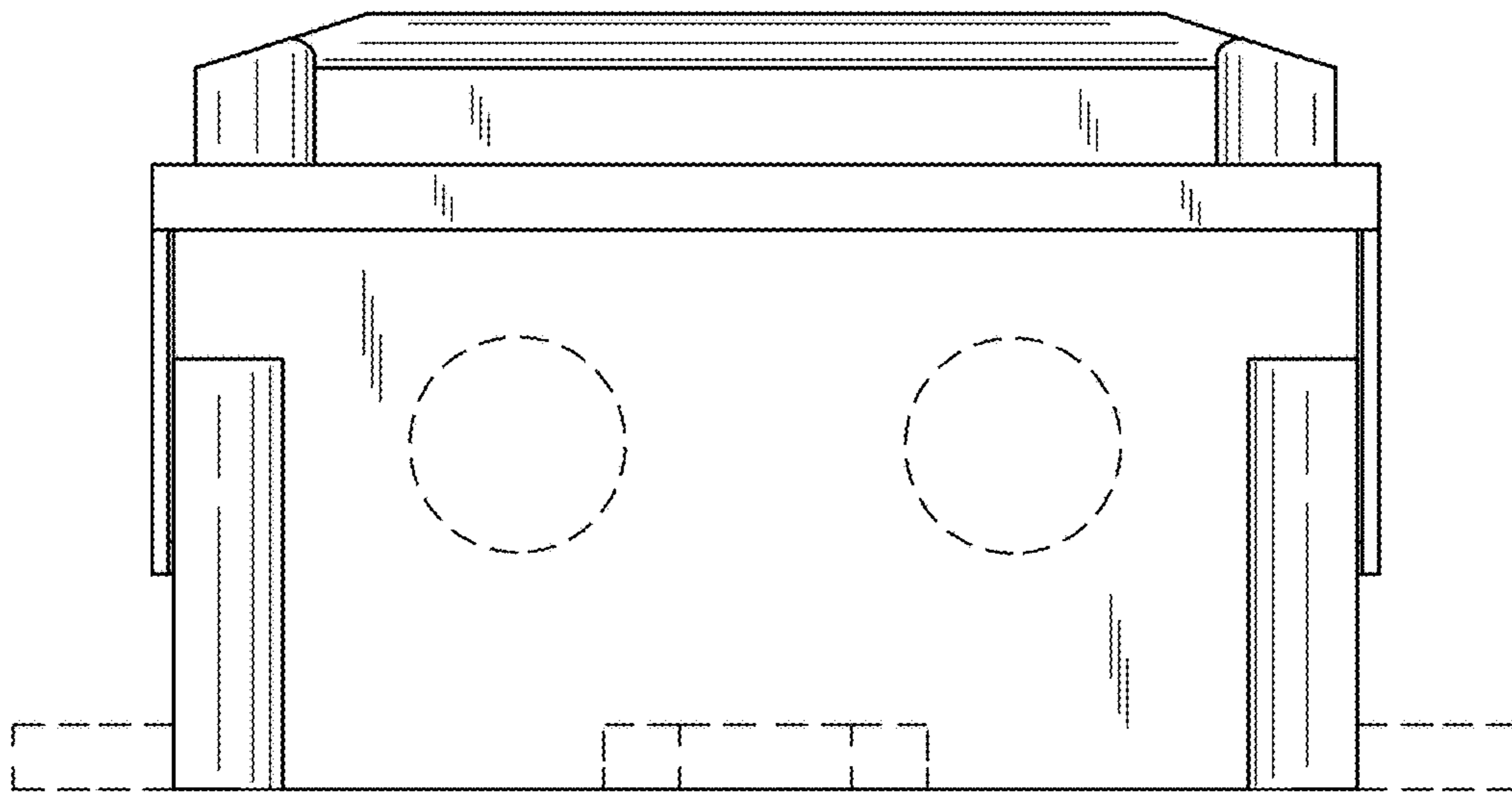


Fig. 4

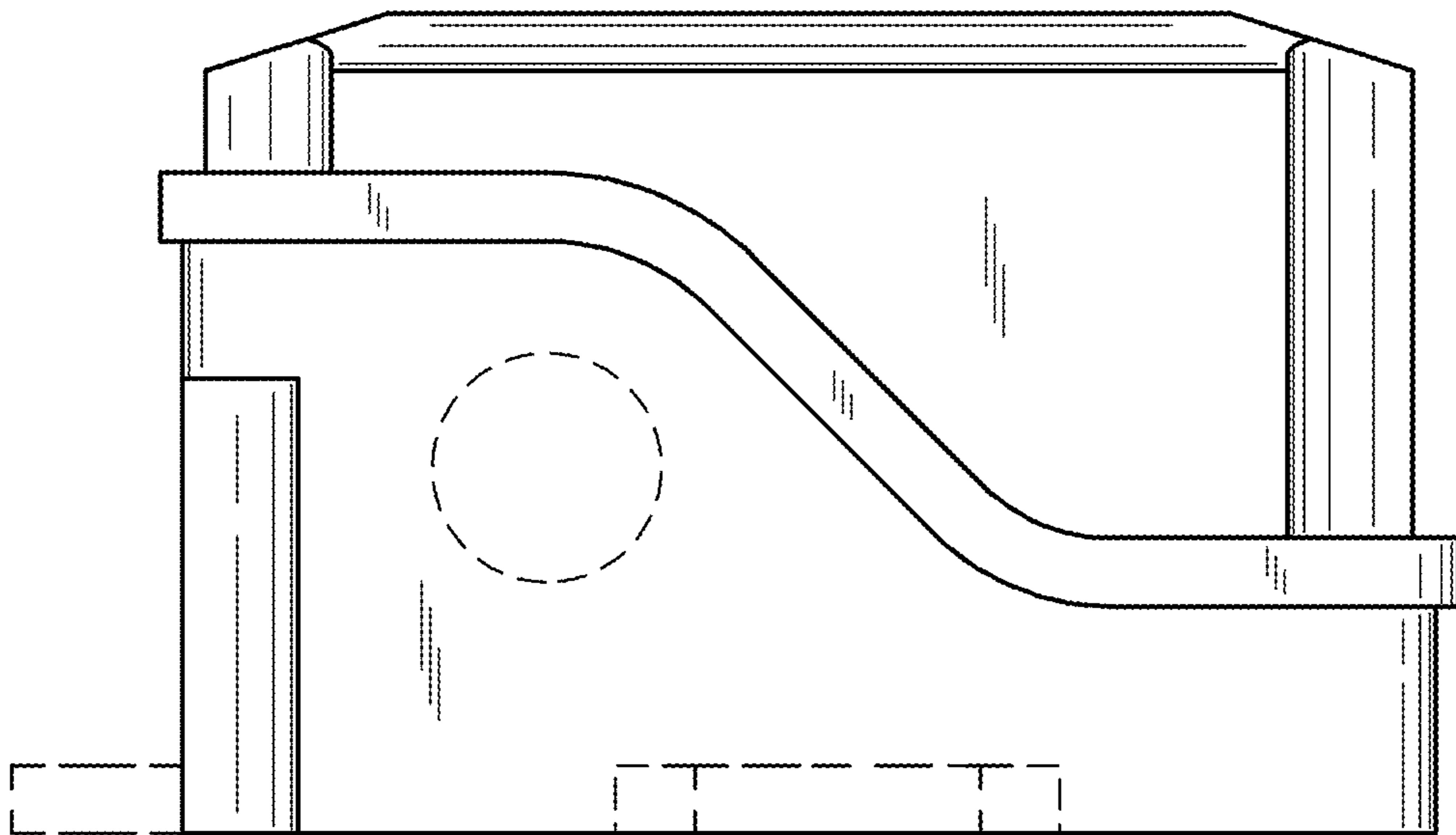


Fig. 5

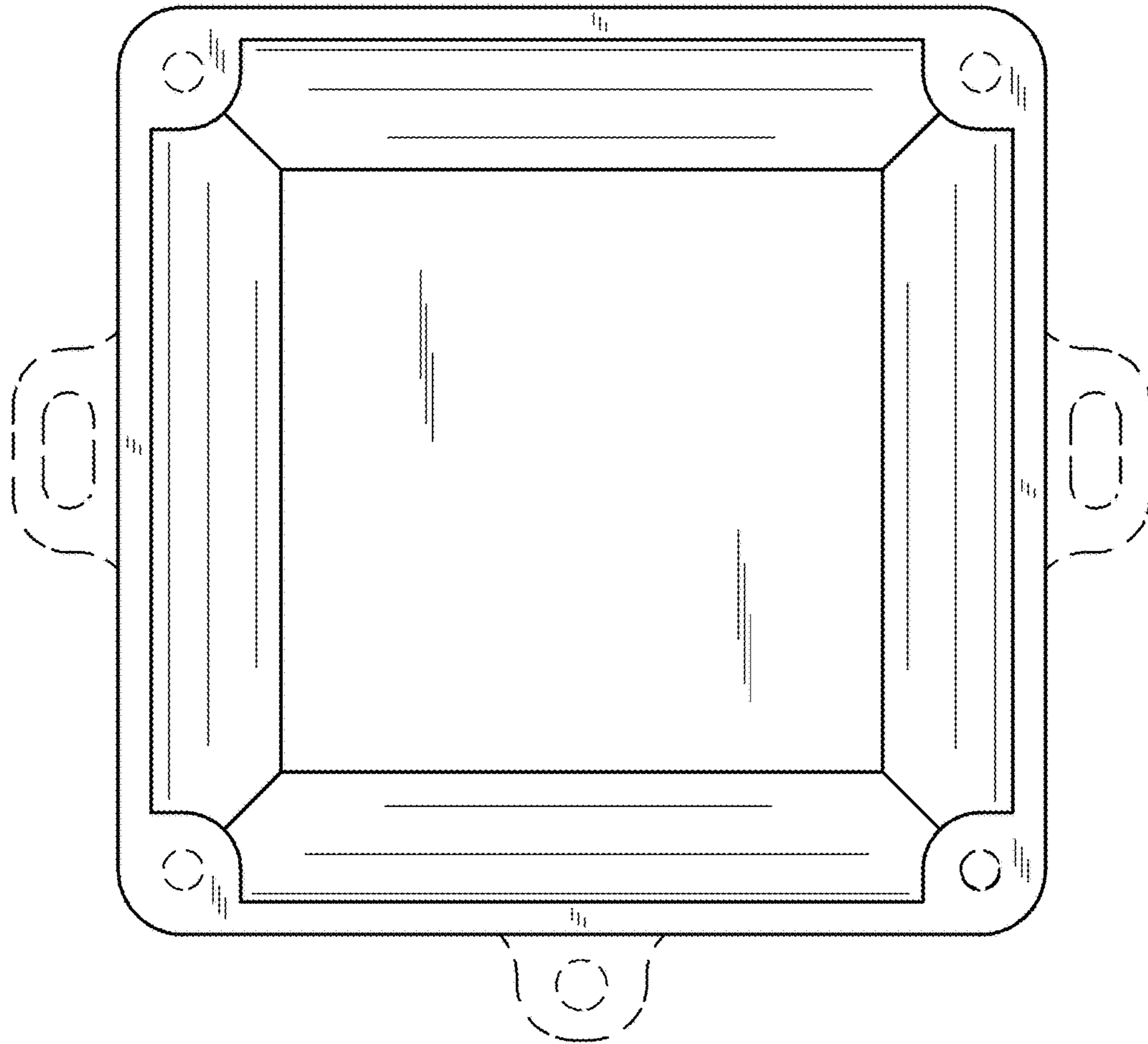


Fig. 6

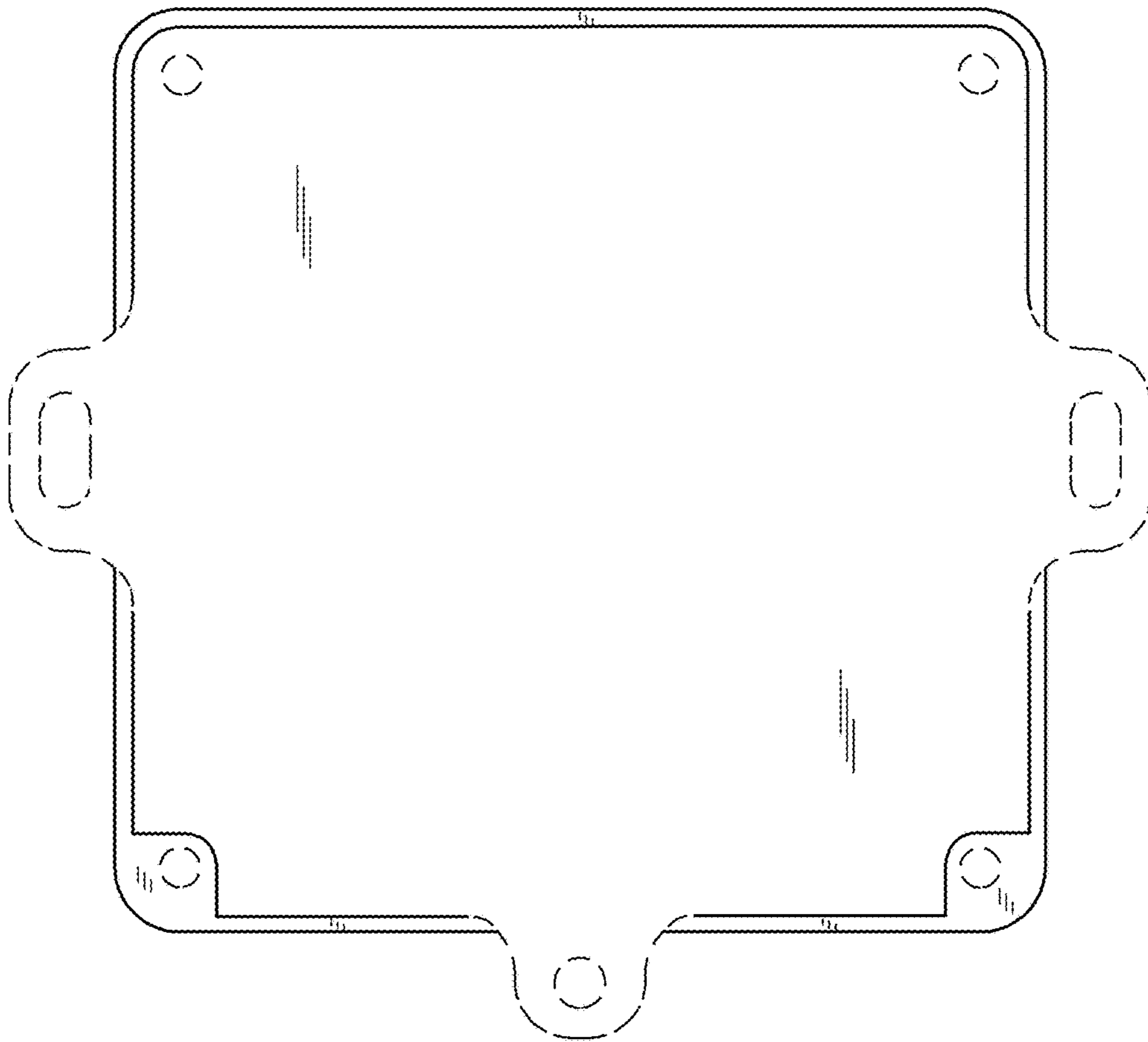


Fig. 7