



US00D812570S

(12) **United States Design Patent**
Sakaizawa et al.

(10) **Patent No.:** **US D812,570 S**
(45) **Date of Patent:** **** Mar. 13, 2018**

(54) **ELECTRICAL CONNECTOR**

(71) Applicant: **HIROSE ELECTRIC CO., LTD.**,
Tokyo (JP)

(72) Inventors: **Tadashi Sakaizawa**, Tokyo (JP);
Kenichi Naganuma, Tokyo (JP)

(73) Assignee: **HIROSE ELECTRIC CO., LTD.**,
Tokyo (JP)

(**) Term: **15 Years**

(21) Appl. No.: **29/572,235**

(22) Filed: **Jul. 26, 2016**

(51) **LOC (11) Cl.** **13-03**

(52) **U.S. Cl.**
USPC **D13/147**

(58) **Field of Classification Search**
USPC D13/133, 146, 147, 154, 182, 184, 199
CPC H01R 12/71; H01R 12/72; H01R 13/405;
H01R 13/52; H01R 13/6471; H01R
13/6473; H01R 13/648; H01R 13/6581;
H01R 13/6585; H01R 13/6594; H01R
13/6596; H01R 13/6597; H01R 24/00
See application file for complete search history.

(56) **References Cited**

U.S. PATENT DOCUMENTS

D345,343 S * 3/1994 Nakamura D13/147
D433,667 S * 11/2000 Li D13/147

D446,772 S * 8/2001 Chen D13/147
D446,773 S * 8/2001 Yao D13/147
D680,961 S * 4/2013 Lan D13/147

* cited by examiner

Primary Examiner — Daniel Bui
(74) *Attorney, Agent, or Firm* — Rankin, Hill & Clark
LLP

(57) **CLAIM**

The ornamental design for an electrical connector, as shown and described.

DESCRIPTION

FIG. 1 is a perspective view of the front, top and right side of an electrical connector showing our new design; FIG. 2 is a perspective view of the front, bottom and right side thereof; FIG. 3 is a perspective view of the rear, top and left side thereof; FIG. 4 is a perspective view of the rear, bottom and left side thereof; FIG. 5 is a front view thereof; FIG. 6 is a rear view thereof; FIG. 7 is a left side view thereof; FIG. 8 is a right side view thereof; FIG. 9 is a top plan view thereof; FIG. 10 is a bottom view thereof; and, FIG. 11 is a cross sectional view at 11-11 in FIG. 5. The broken line showing of the electrical connector is for the purpose of illustrating portions of the electrical connector and forms no part of the claimed design. The dashed-dotted lines define the bounds of the claimed design and form no part thereof.

1 Claim, 11 Drawing Sheets

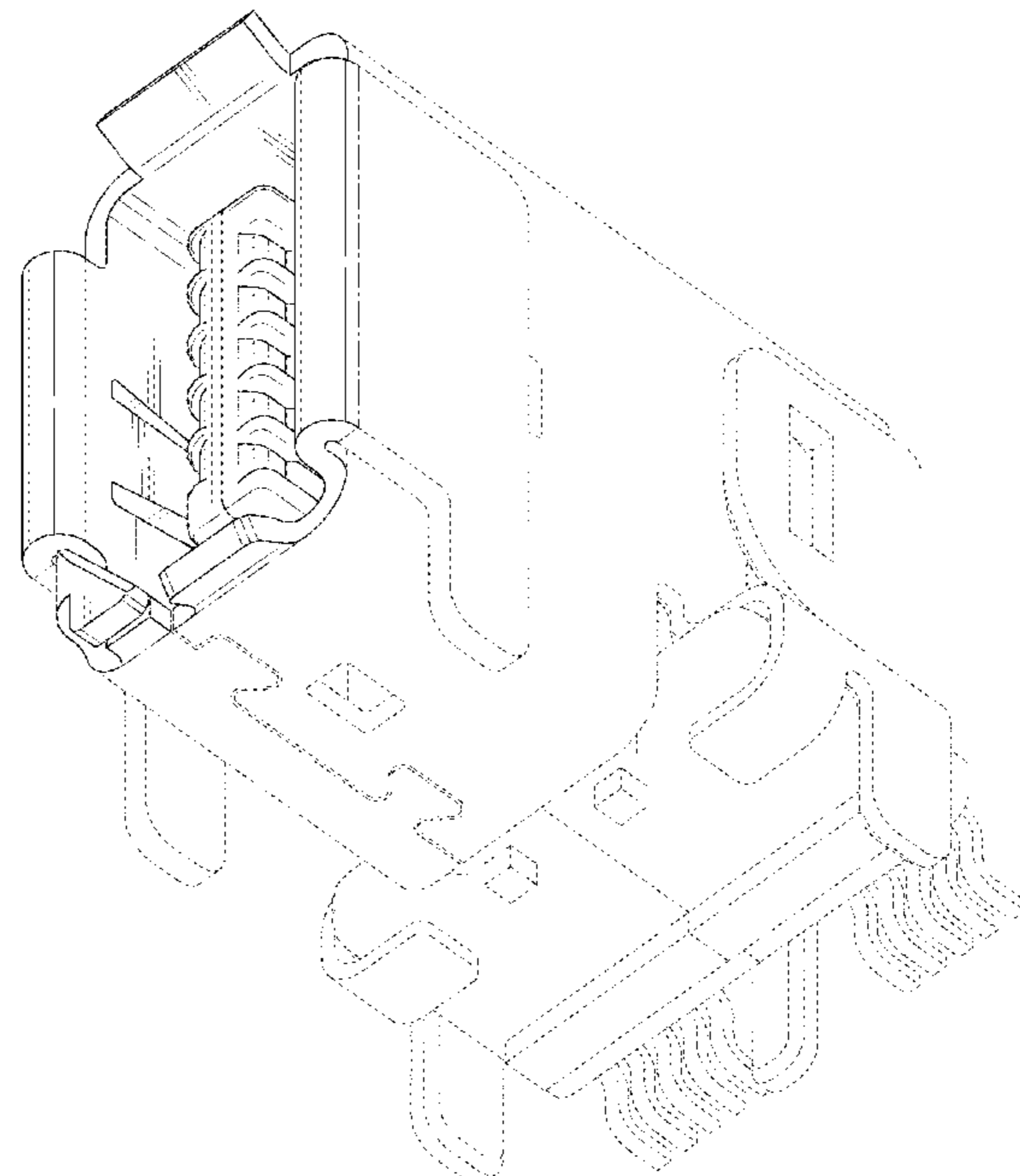
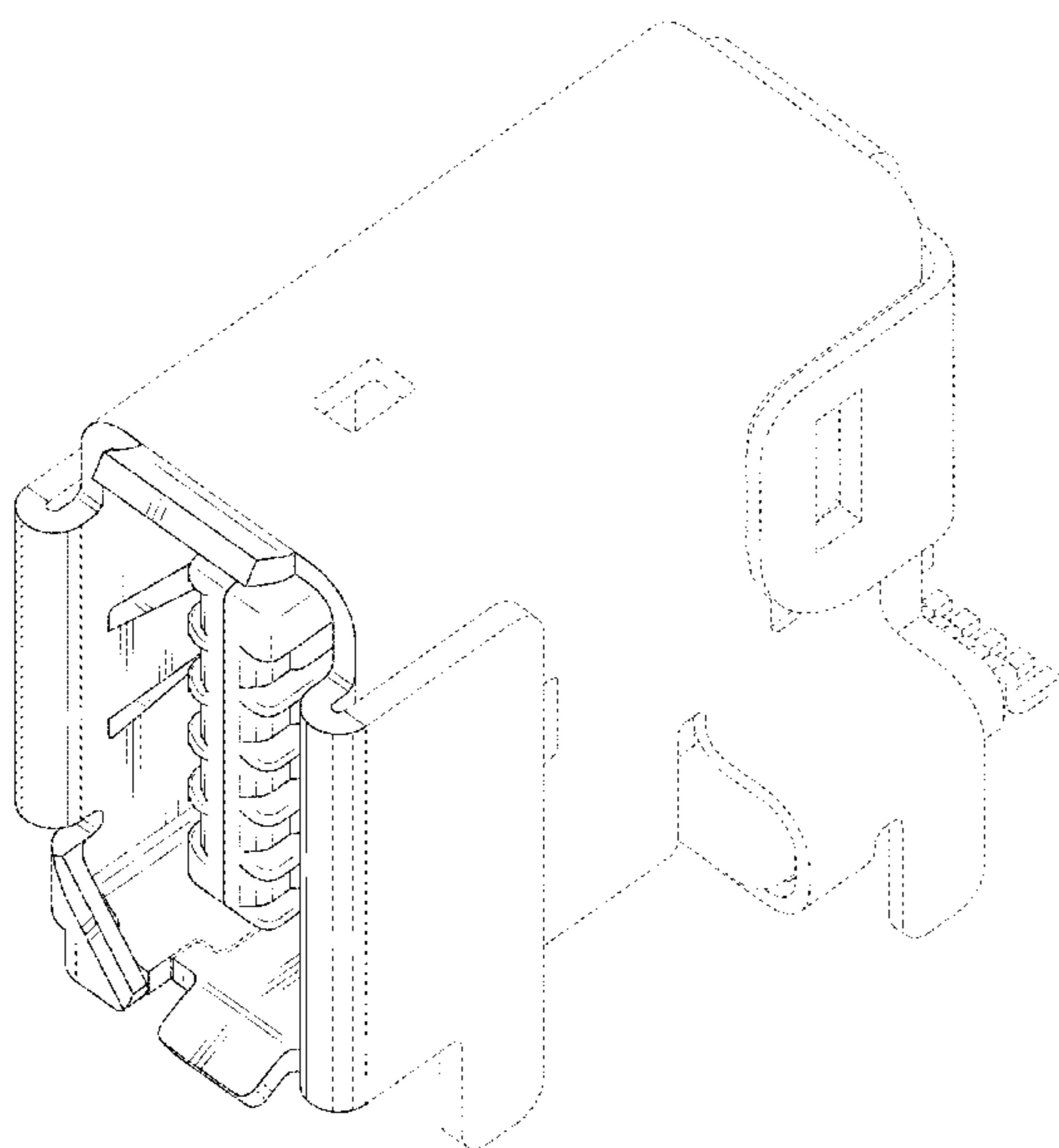


Fig. 1

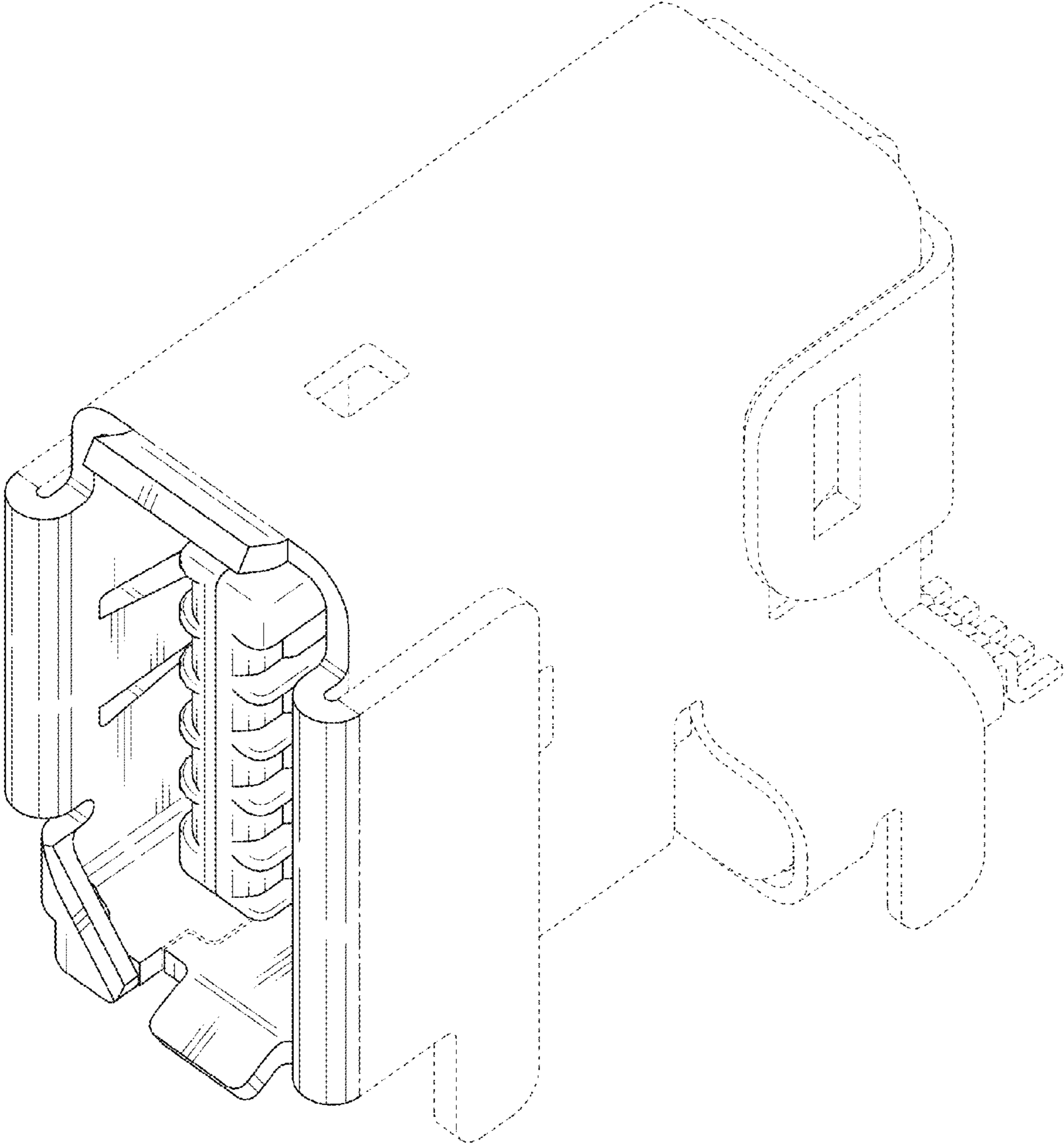


Fig. 2

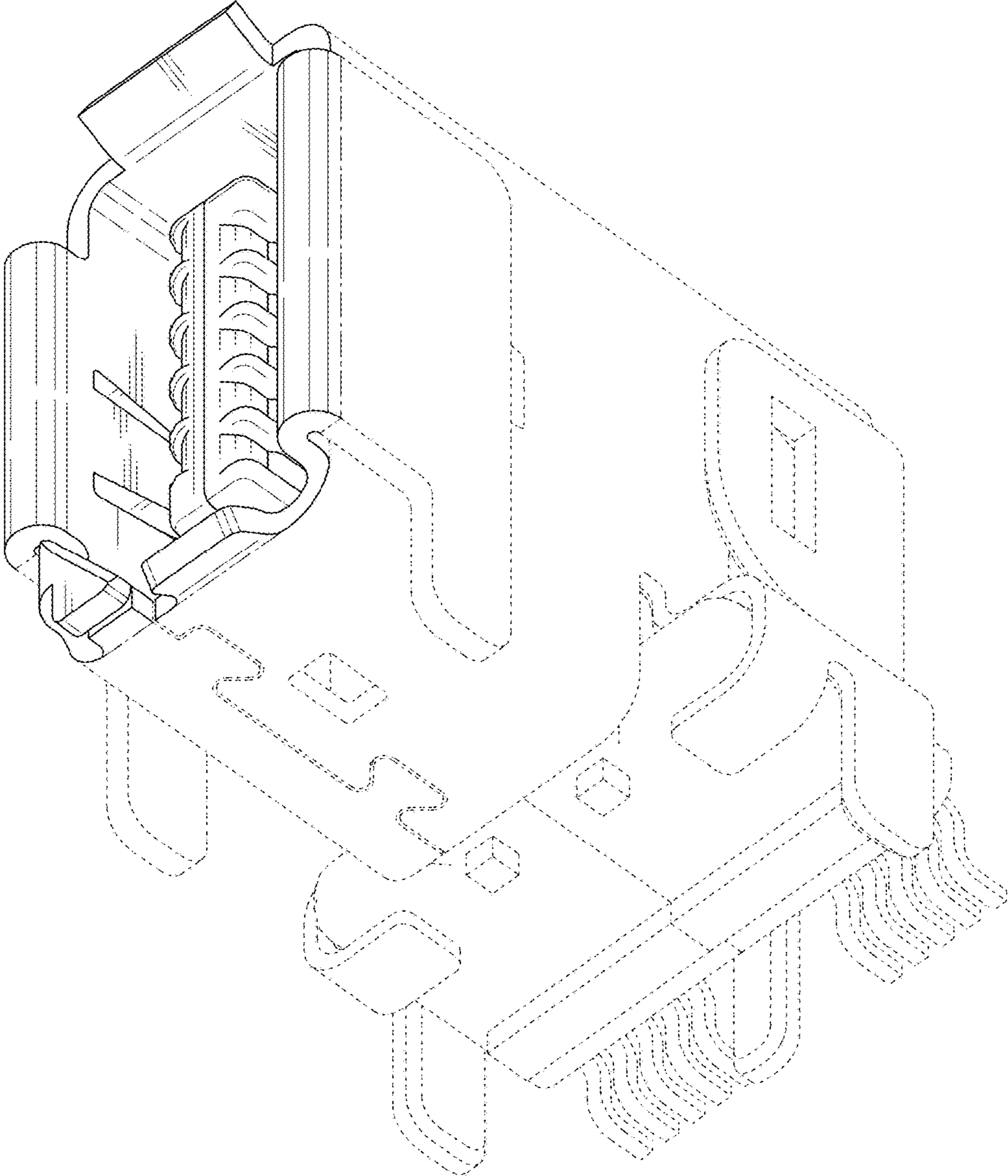


Fig. 3

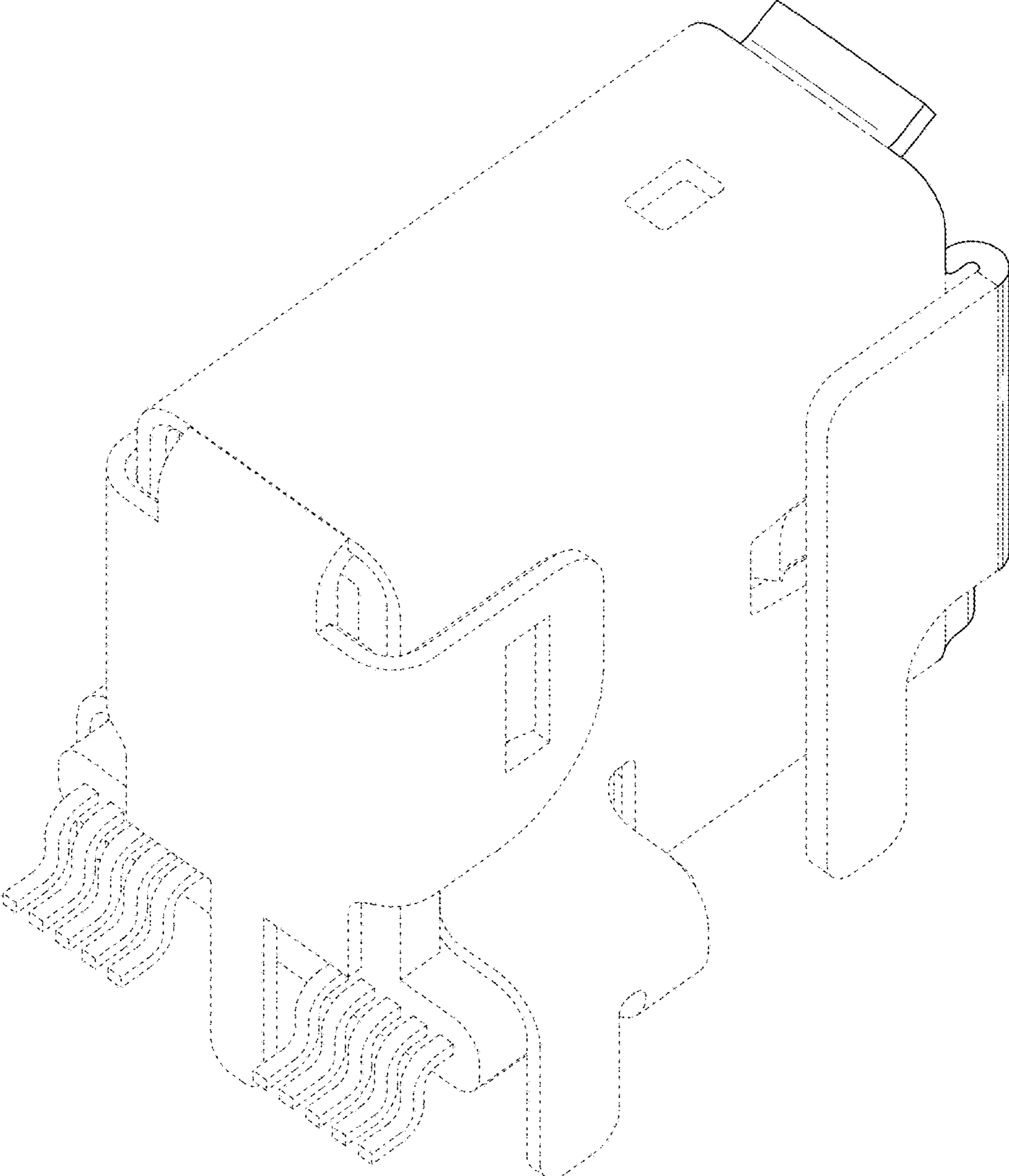


Fig. 4

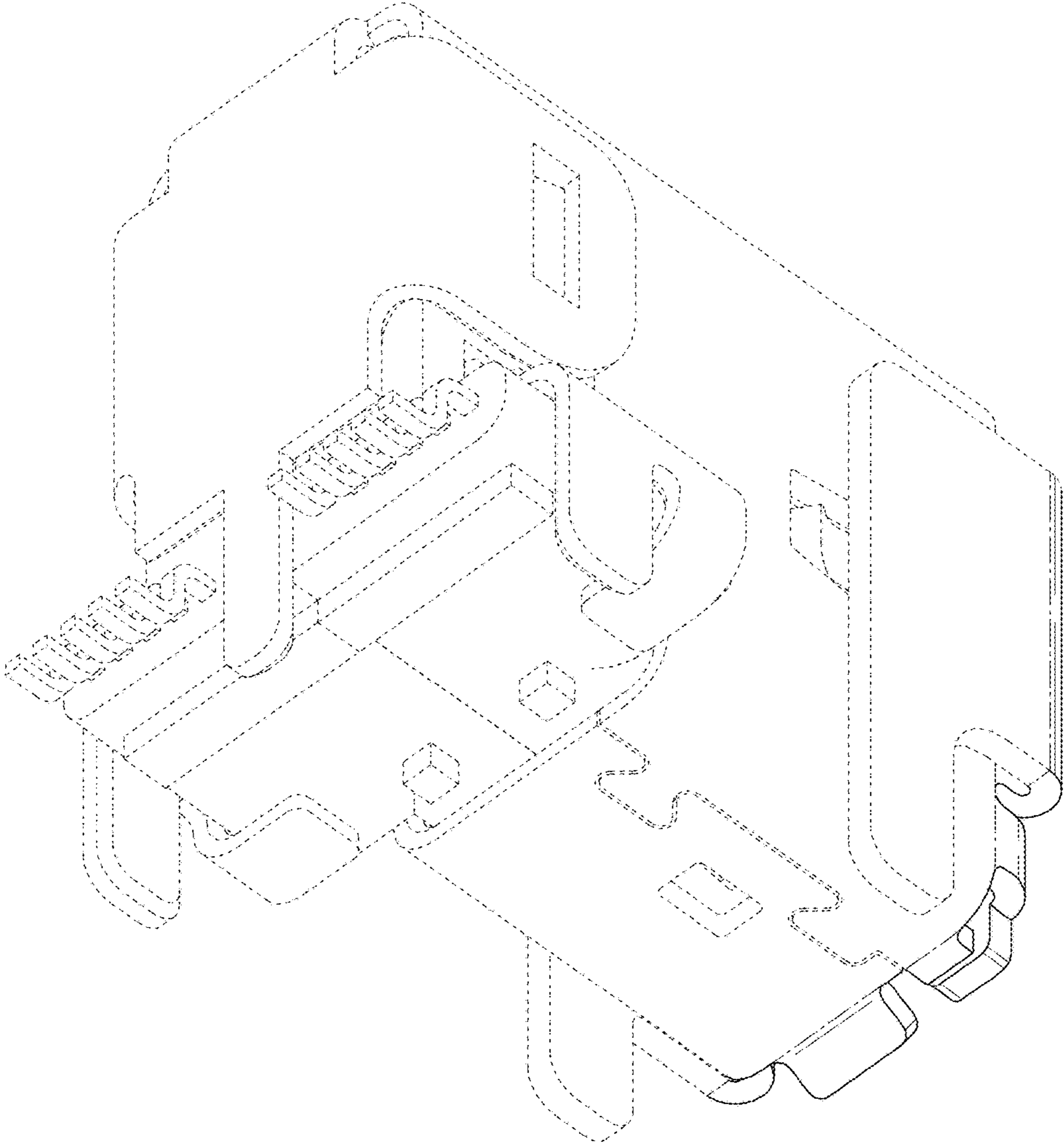


Fig. 5

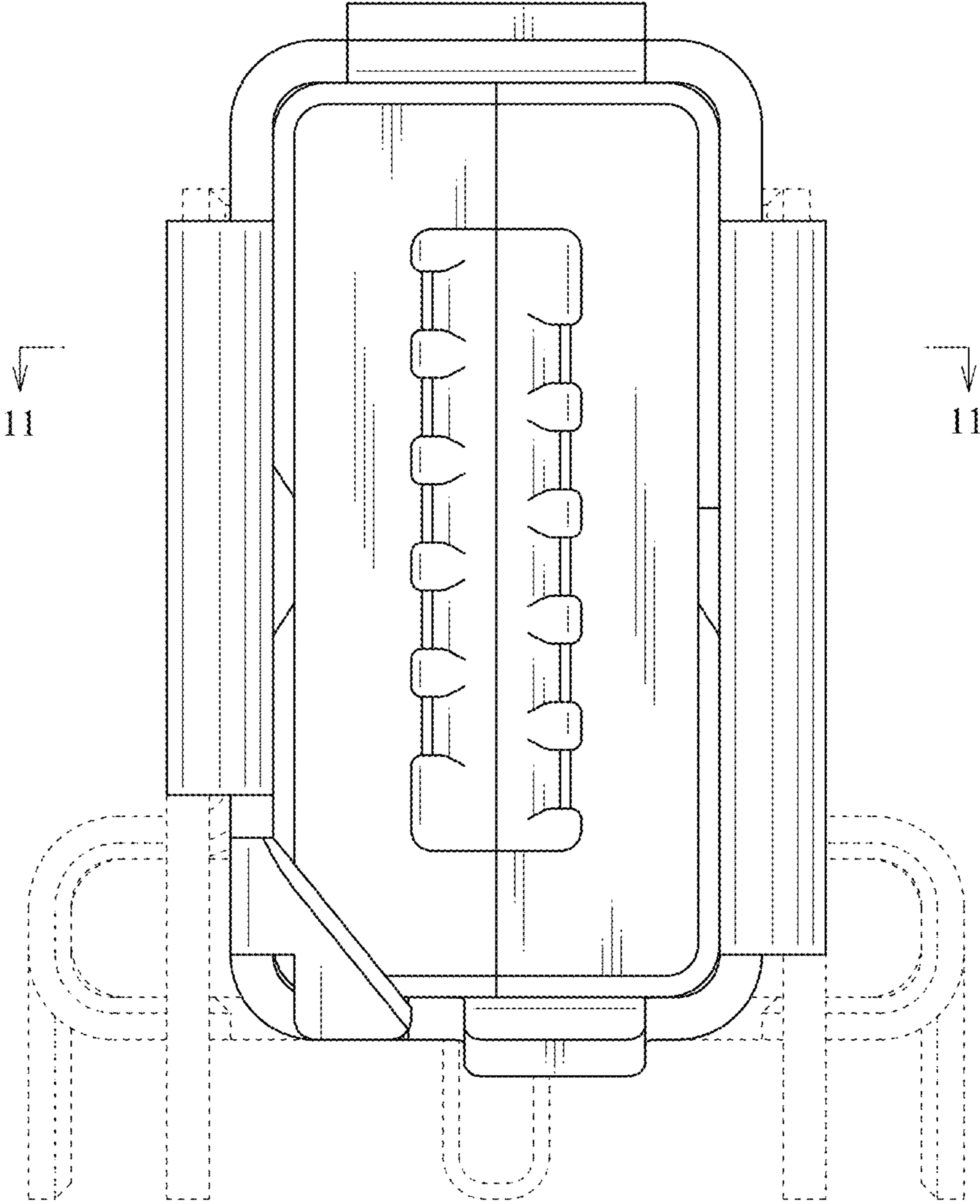


Fig. 6

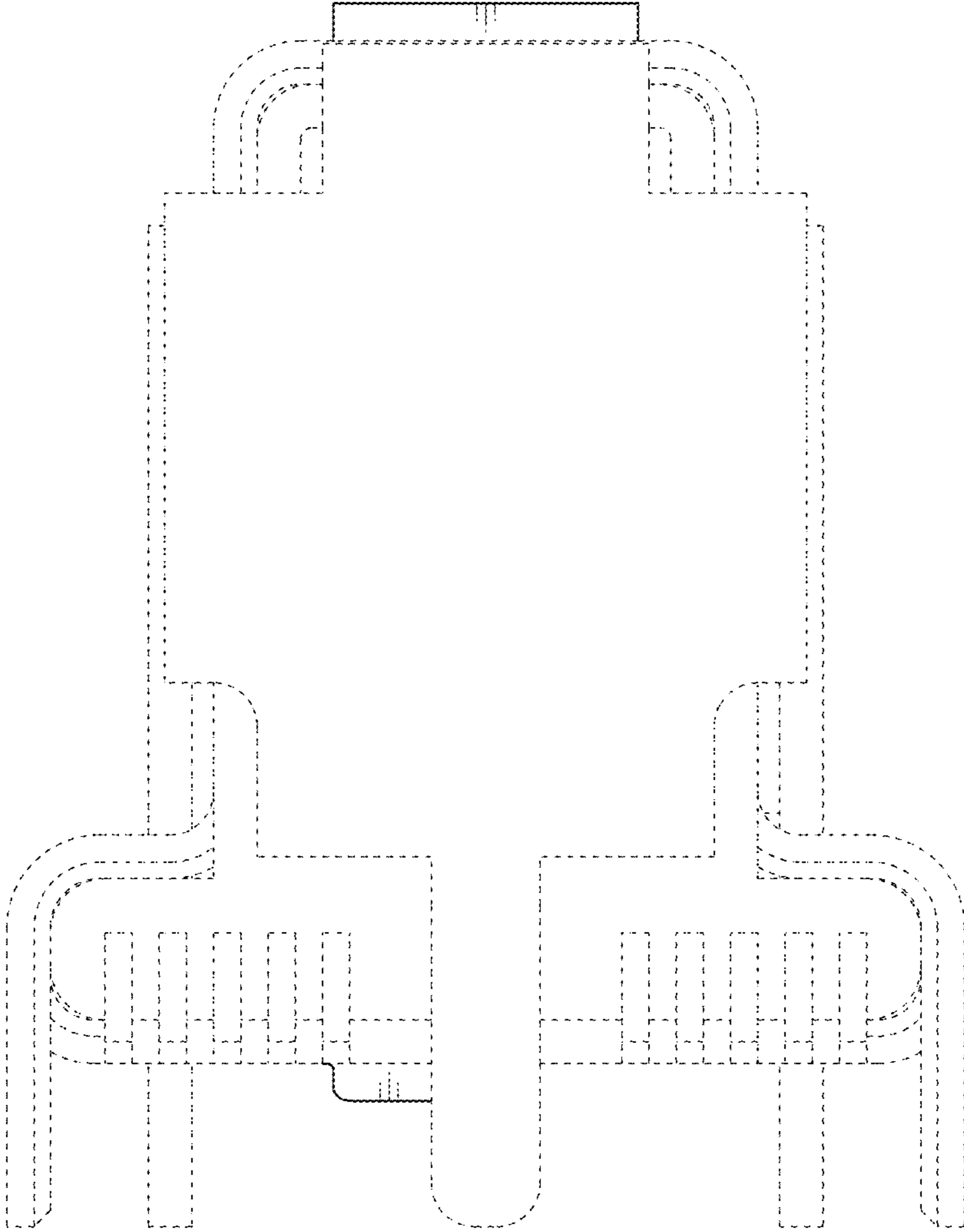


Fig. 7

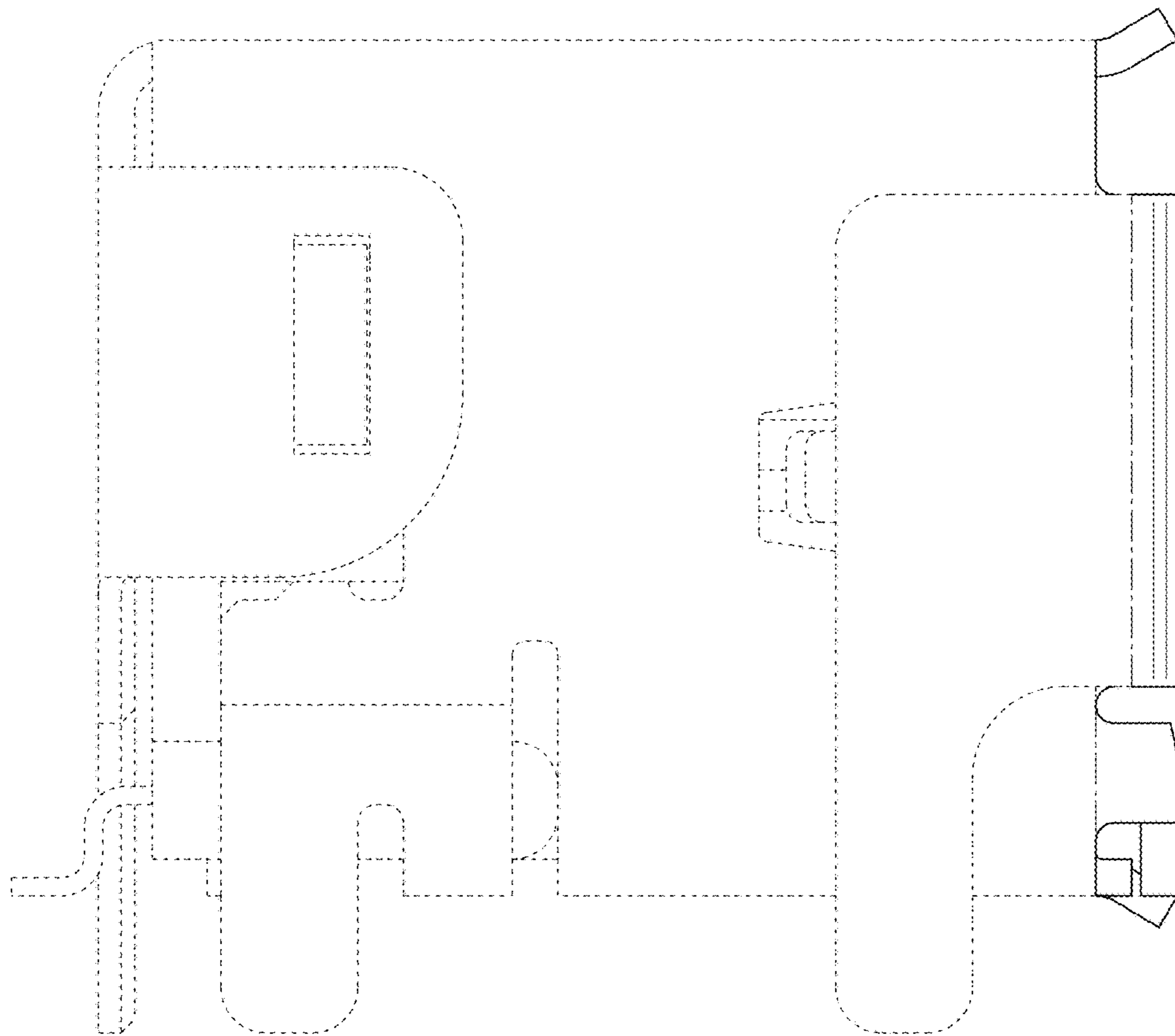


Fig. 8

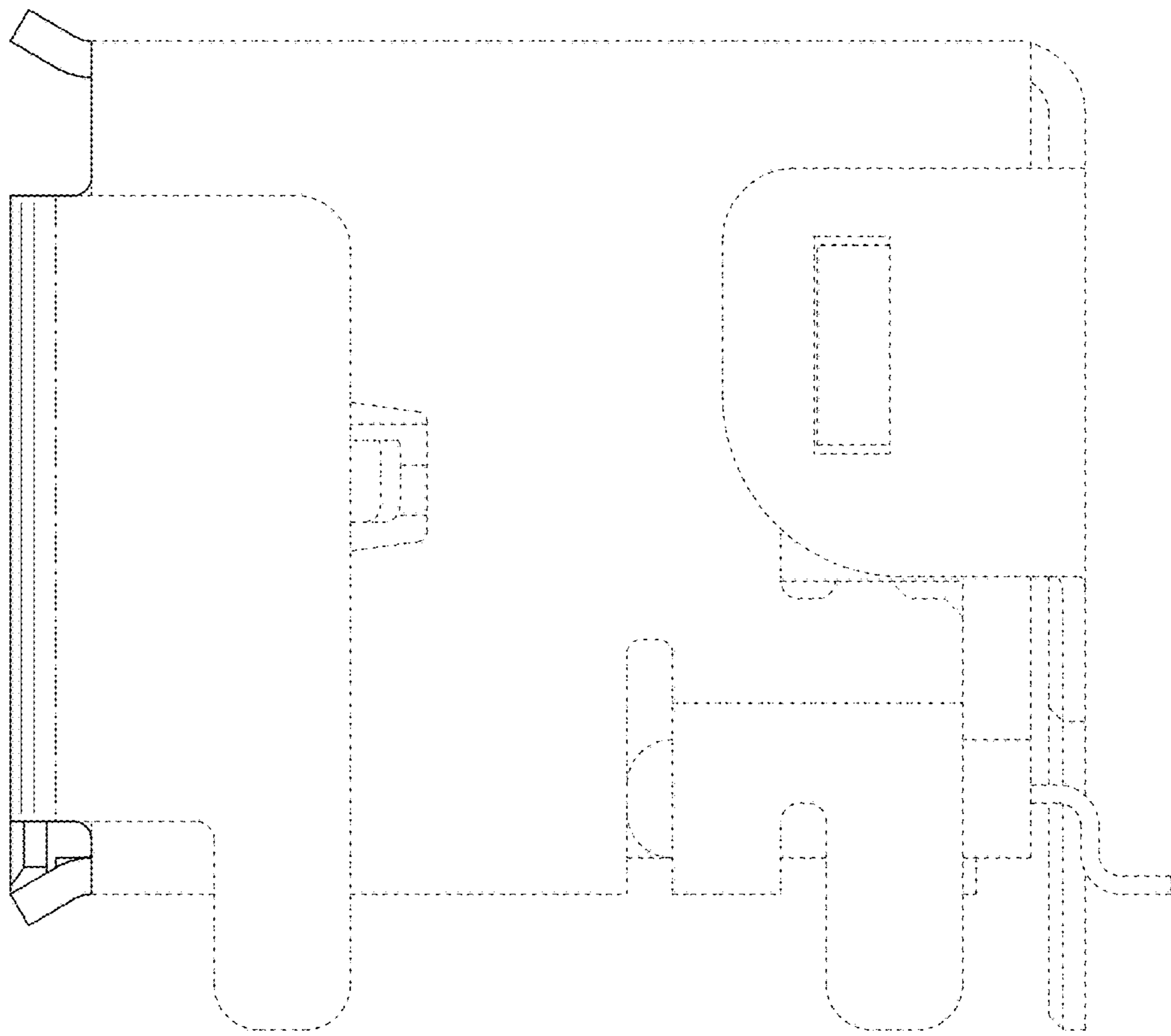


Fig. 9

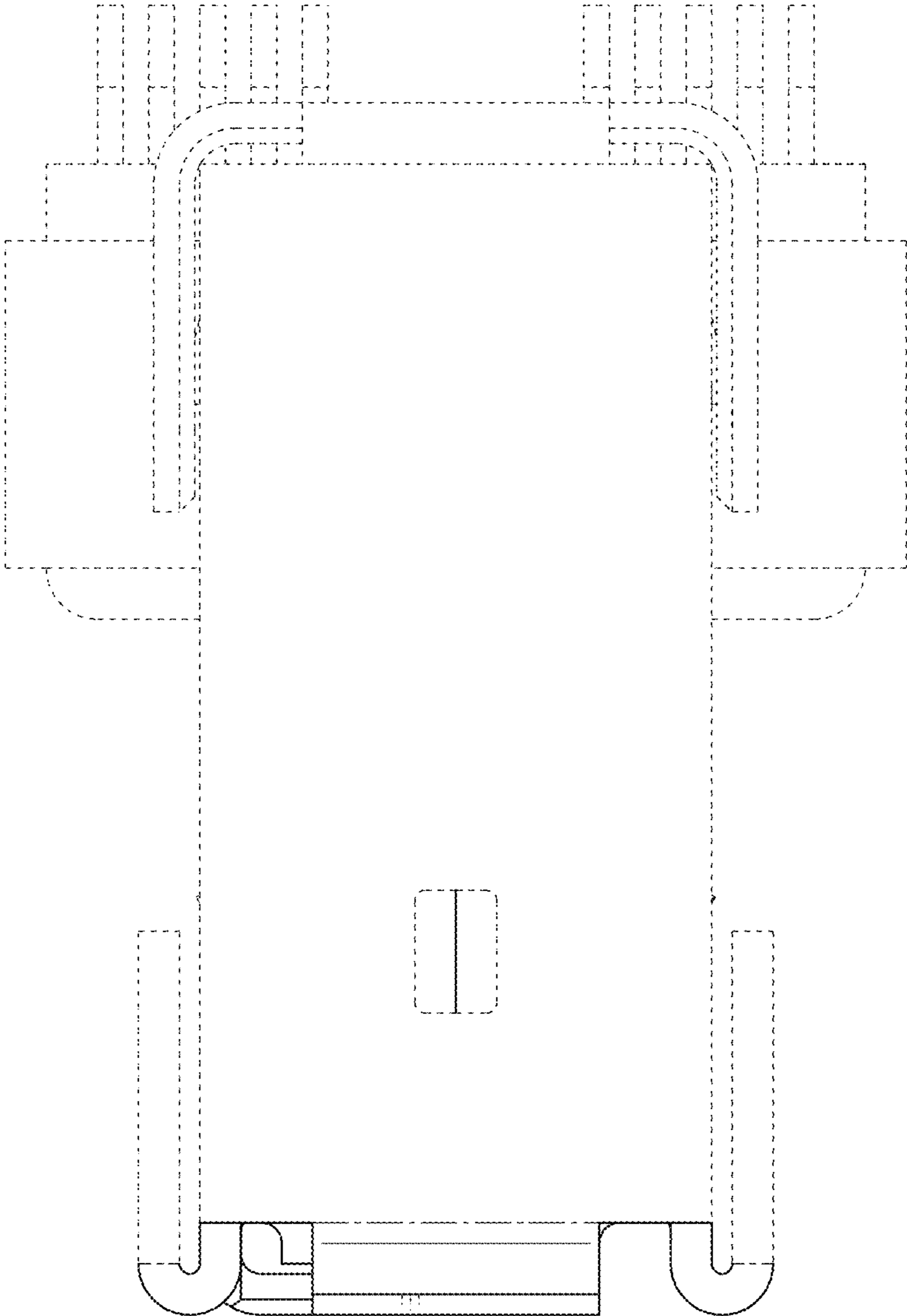


Fig. 10

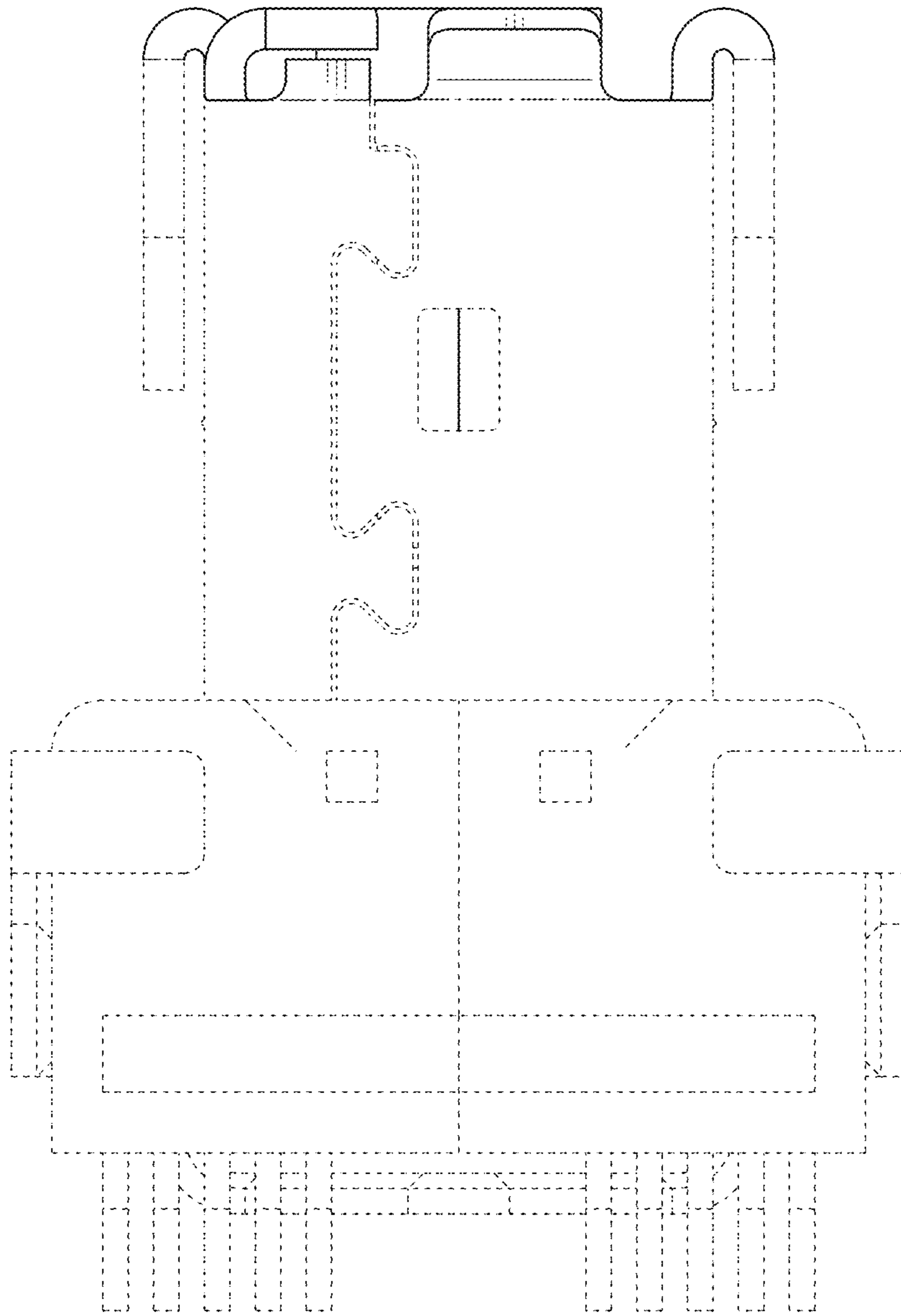


Fig. 11

