



US00D812569S

(12) **United States Design Patent**
Kirk et al.

(10) **Patent No.:** **US D812,569 S**
(45) **Date of Patent:** **** Mar. 13, 2018**

- (54) **ELECTRICAL CONNECTOR**
- (71) Applicant: **Amphenol Corporation**, Wallingford Center, CT (US)
- (72) Inventors: **Brian Kirk**, Amherst, NH (US); **Jason Si**, Toronto (CA); **Ba Pham**, Toronto (CA); **Sam Kocsis**, Nashua, NH (US)
- (73) Assignee: **Amphenol Corporation**, Wallingford, CT (US)
- (**) Term: **15 Years**
- (21) Appl. No.: **29/563,517**
- (22) Filed: **May 5, 2016**
- (51) **LOC (11) Cl.** **13-03**
- (52) **U.S. Cl.**
USPC **D13/147**
- (58) **Field of Classification Search**
USPC D13/133, 146, 147, 154, 156, 184, 199;
D14/432, 433, 434, 435.1, 438
CPC H01R 12/64; H01R 12/71; H01R 13/5219;
H01R 13/6581; H01R 13/6596; H01R
13/6873; H01R 13/748
See application file for complete search history.

D706,221 S *	6/2014	Grant	D13/147
D719,922 S	12/2014	Yokoyama		
D721,657 S	1/2015	Yamaguchi		
D722,026 S	2/2015	Yokoyama		
D726,657 S *	4/2015	Takenaga	D13/147
D729,173 S	5/2015	Fukumoto		

FOREIGN PATENT DOCUMENTS

CN	203574938 U	4/2014
TW	D152287 S1	4/2012
TW	D172199 S1	6/2014

OTHER PUBLICATIONS

U.S. Appl. No. 29/561,014, filed Apr. 12, 2016, Kirk et al.
U.S. Appl. No. 29/563,521, filed May 5, 2016, Kirk et al.

* cited by examiner

Primary Examiner — Daniel Bui

(74) *Attorney, Agent, or Firm* — Wolf, Greenfield & Sacks, P.C.

(57) **CLAIM**

The ornamental design for an electrical connector, as shown and described.

DESCRIPTION

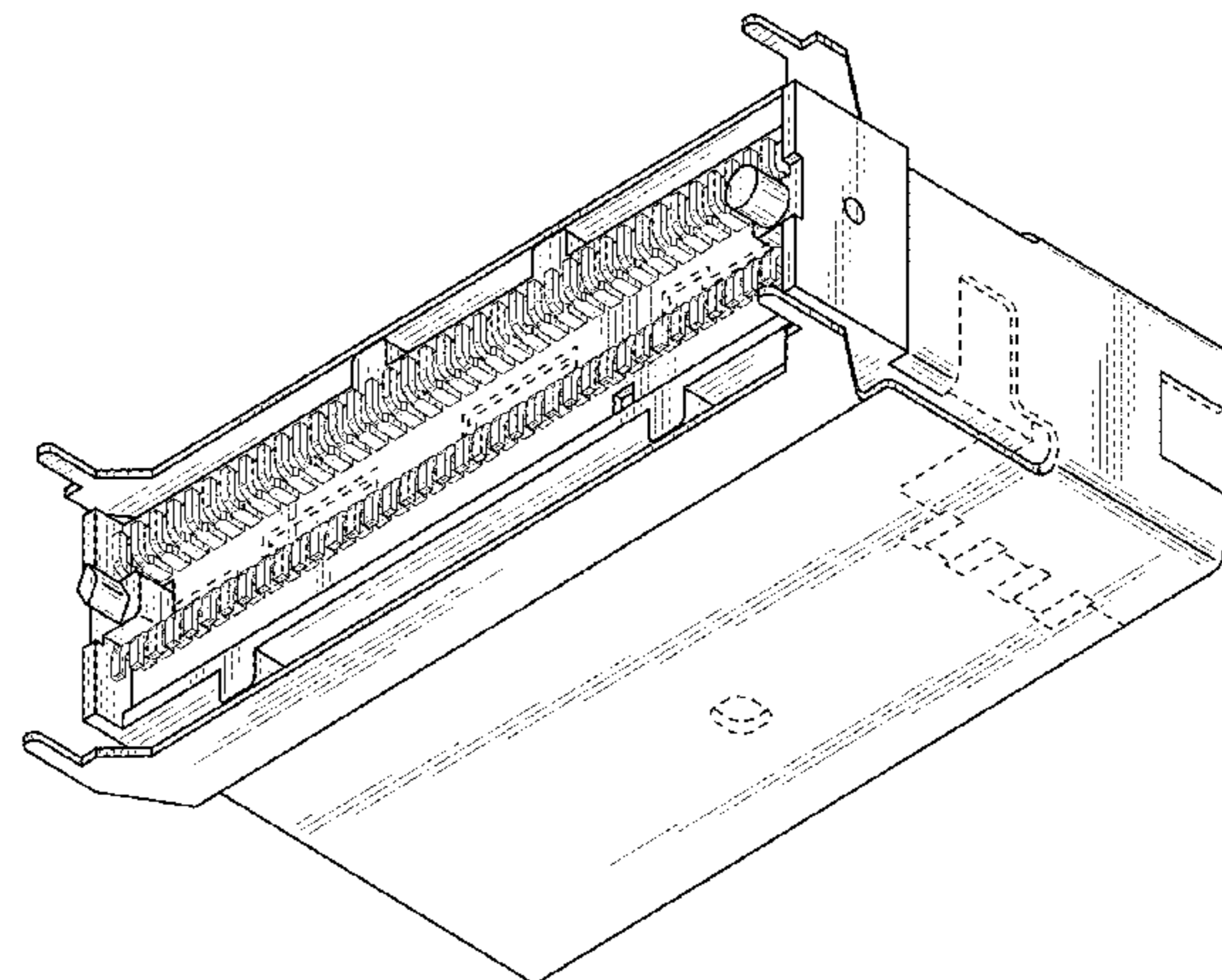
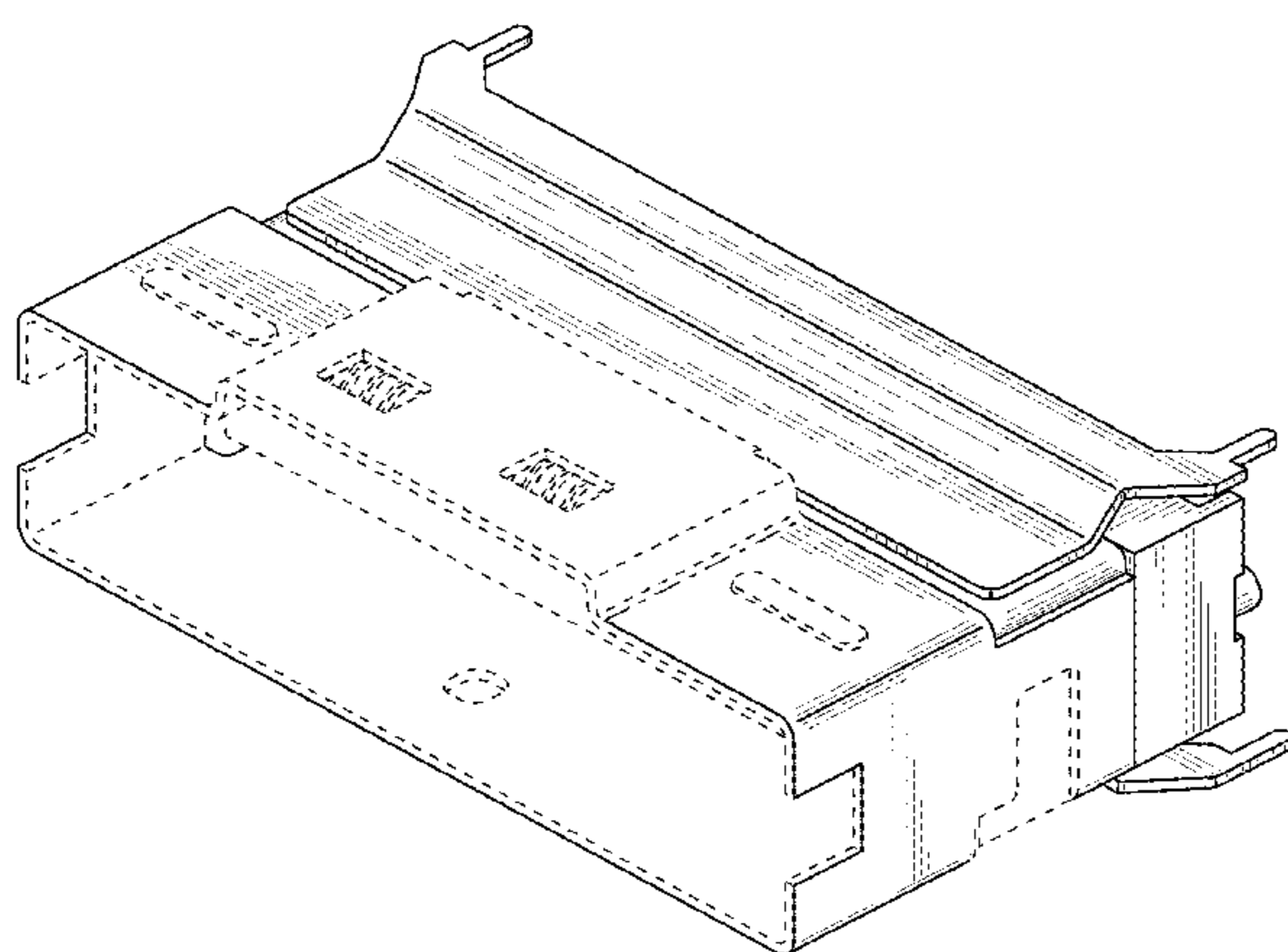
FIG. 1 is a top, rear, left side perspective view of an electrical connector showing our new design; FIG. 2 is a top plan view thereof; FIG. 3 is a rear elevation view thereof; FIG. 4 is a front elevation view thereof; FIG. 5 is a bottom plan view thereof; FIG. 6 is a right side elevation view thereof; FIG. 7 is a left side elevation view thereof; and, FIG. 8 is a bottom, front, right side perspective view thereof. The broken lines represent portions of the electrical connector that form no part of the claimed design.

1 Claim, 3 Drawing Sheets

(56) **References Cited**

U.S. PATENT DOCUMENTS

D322,604 S *	12/1991	Komatsu	D13/147
D580,359 S	11/2008	Su et al.		
D583,766 S	12/2008	Chiang		
D598,862 S	8/2009	Chen		
D601,505 S	10/2009	Fukazawa et al.		
D626,077 S	10/2010	Huang		
D671,896 S	12/2012	Wang et al.		
D698,733 S *	2/2014	Yokoyama	D13/147
D698,734 S *	2/2014	Yokoyama	D13/147
D699,192 S *	2/2014	Takenaga	D13/147
D703,615 S	4/2014	Takenaga et al.		



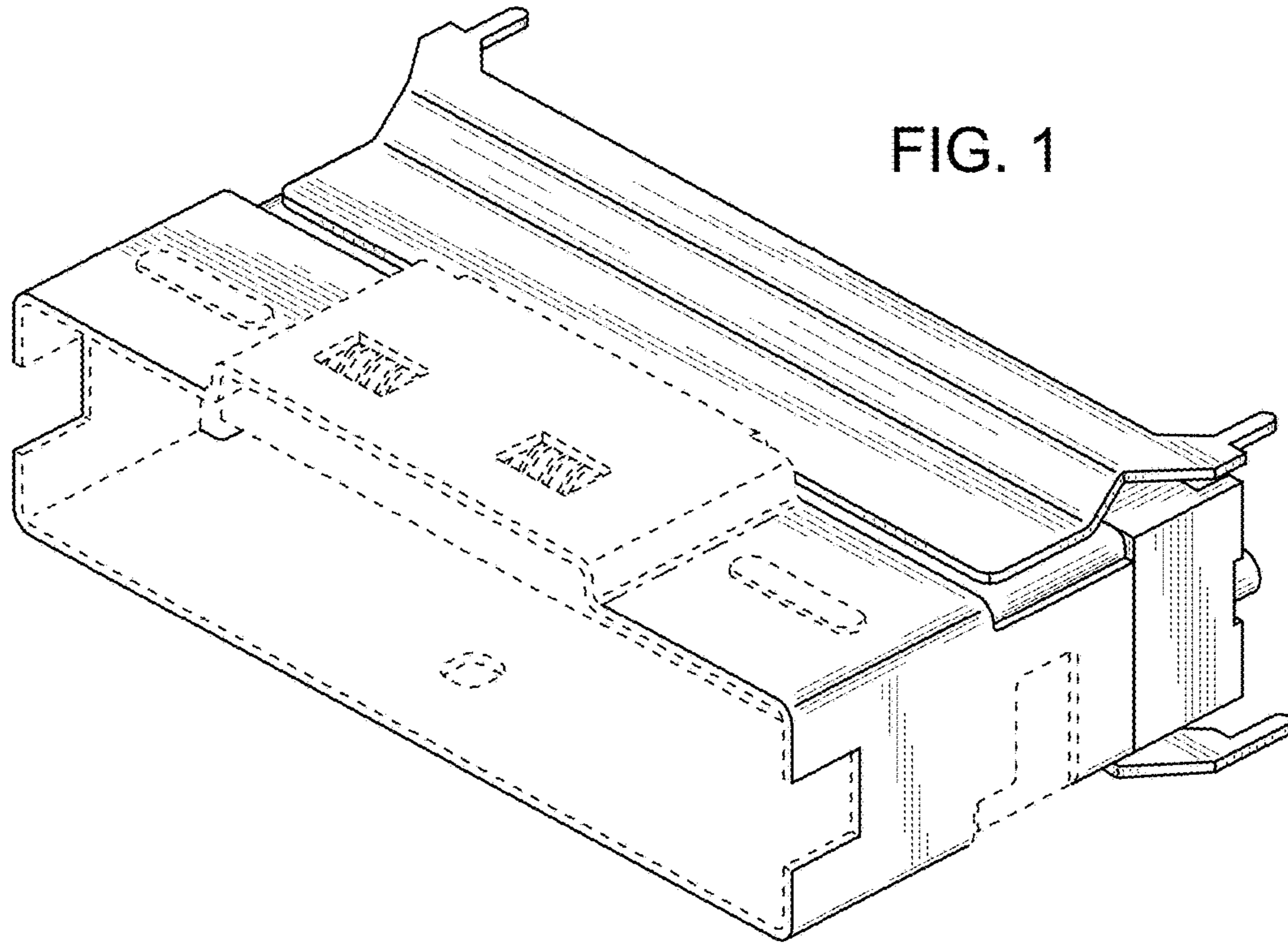


FIG. 2

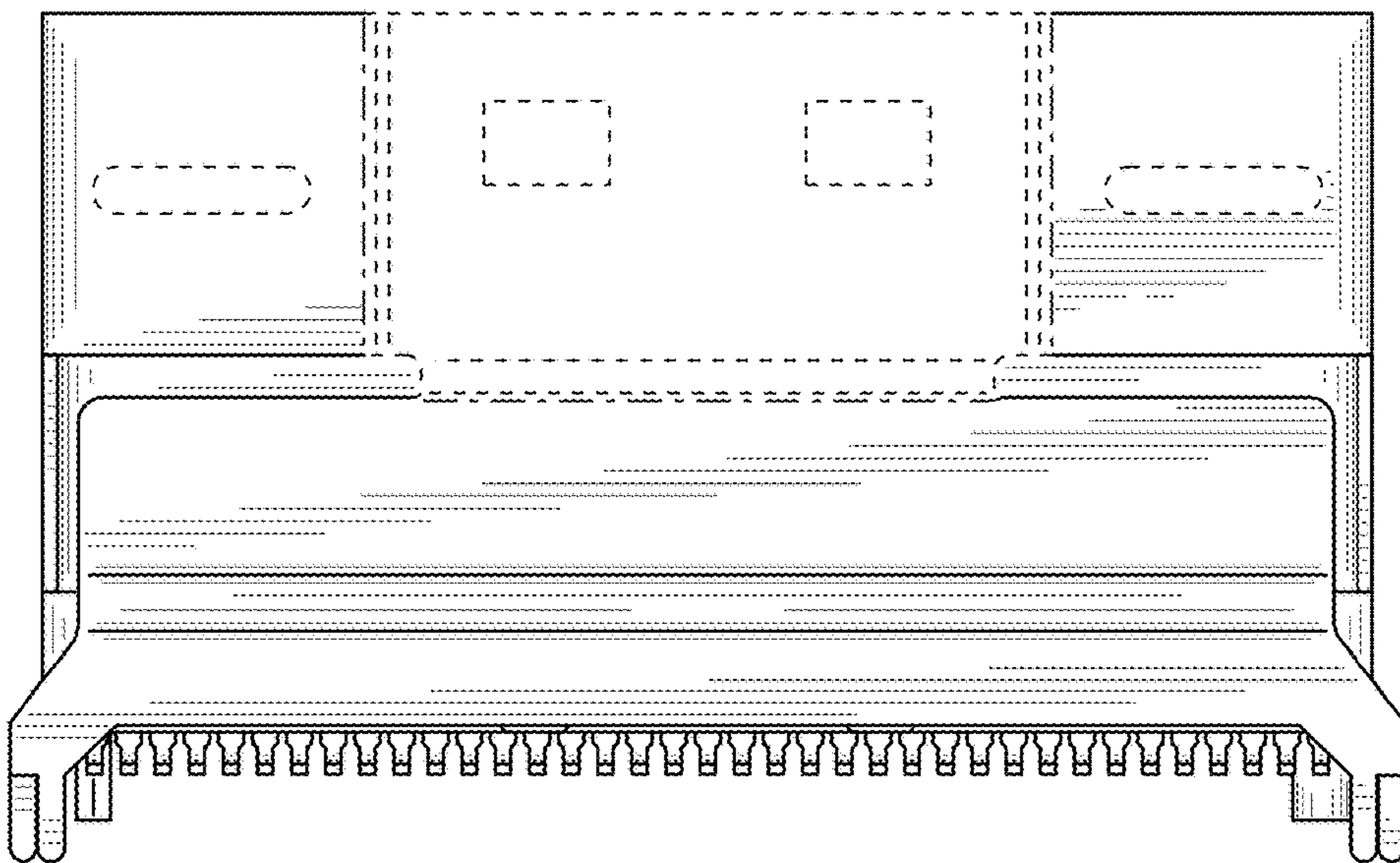


FIG. 3

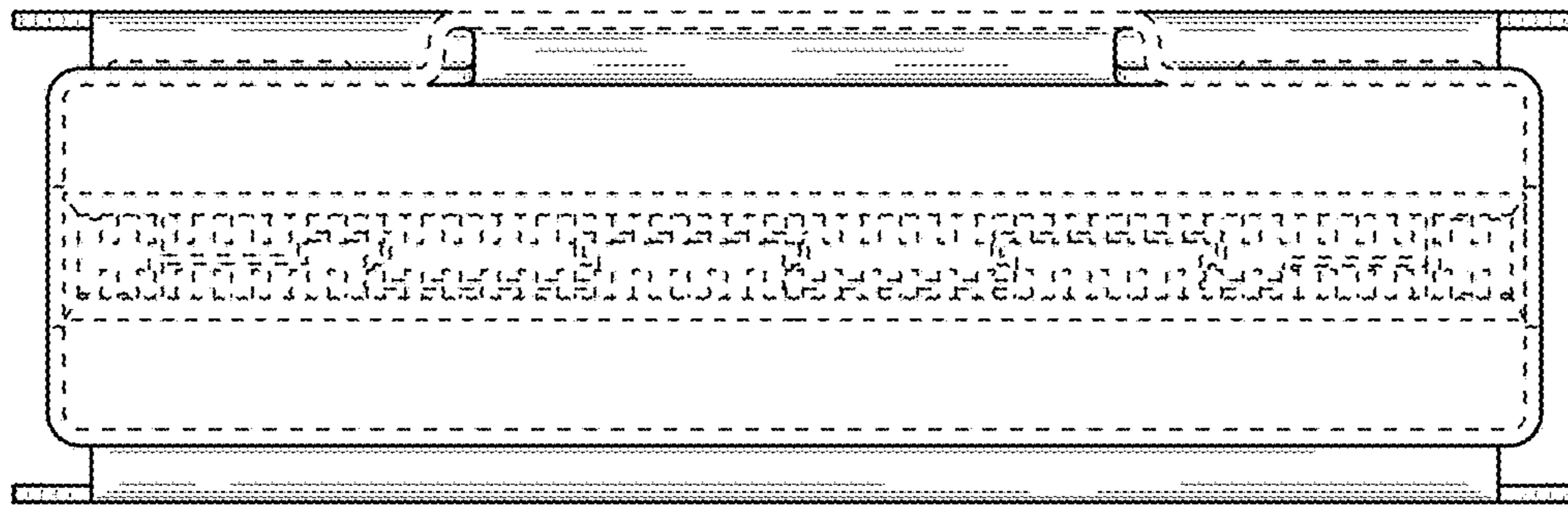


FIG. 4

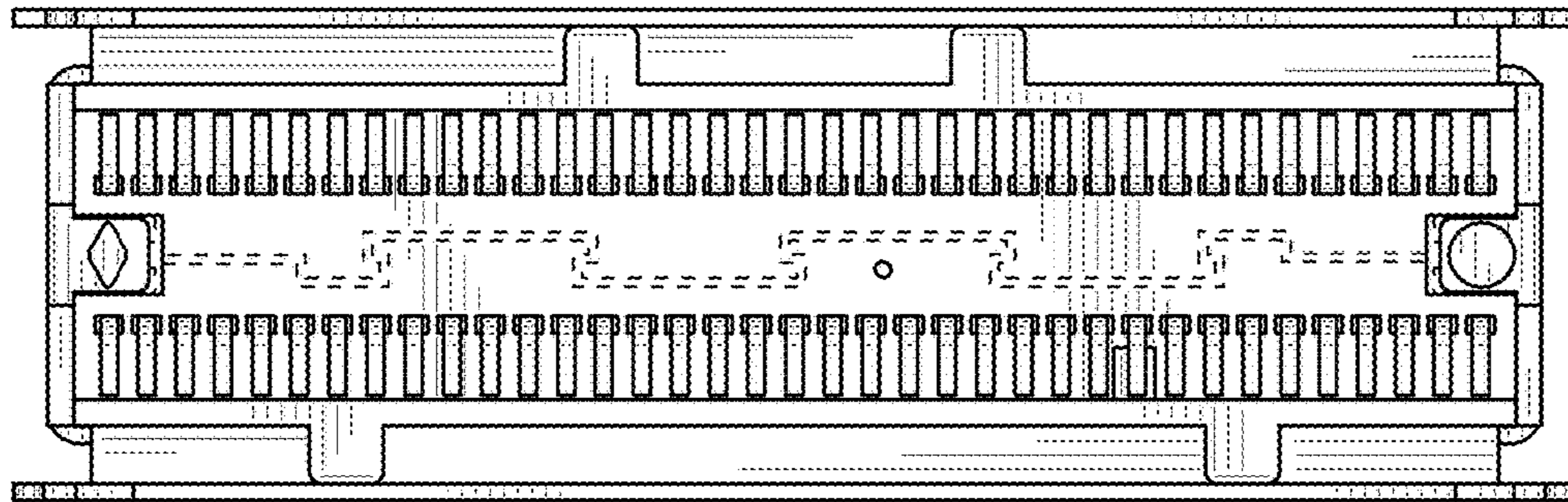


FIG. 5

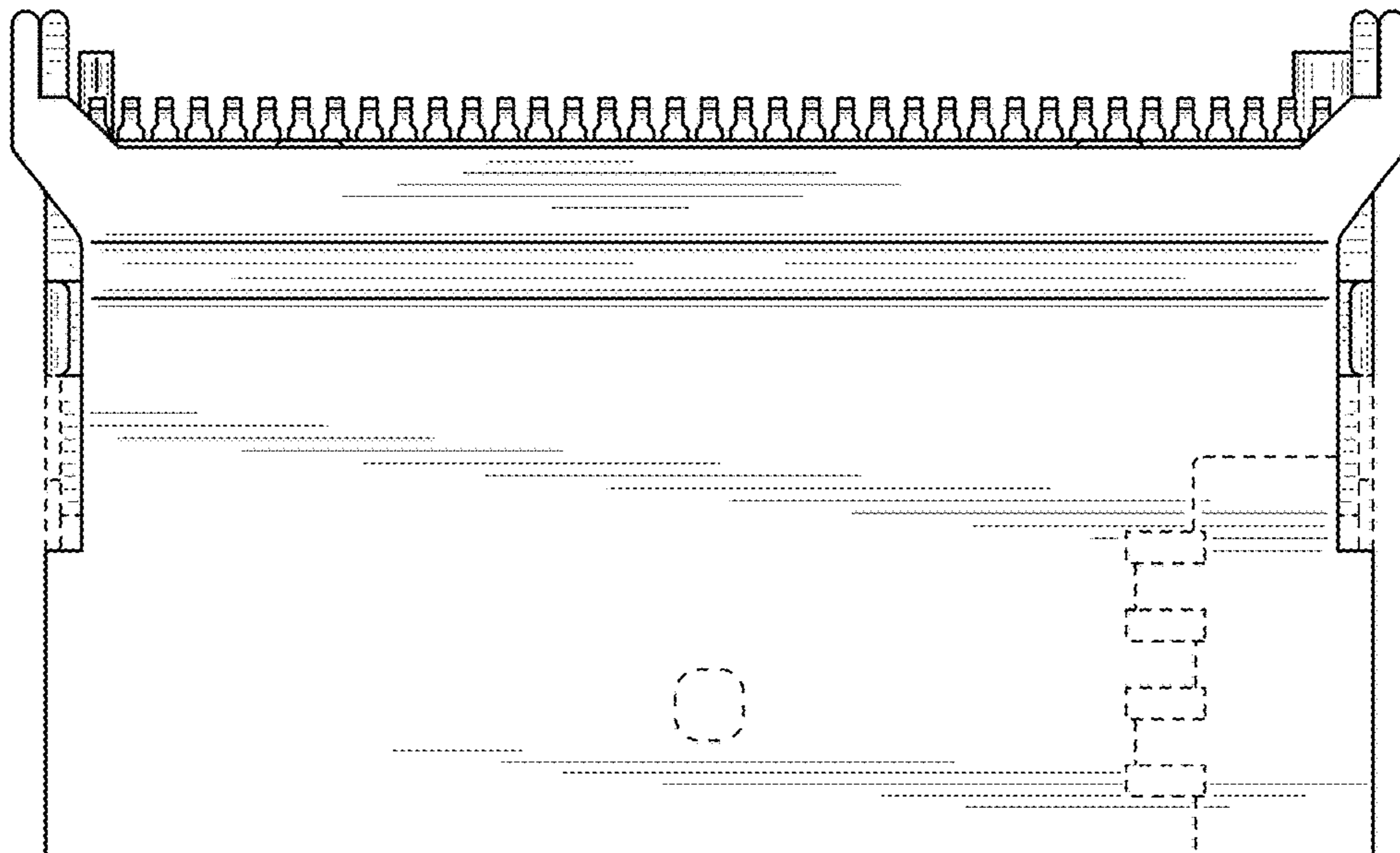


FIG. 6

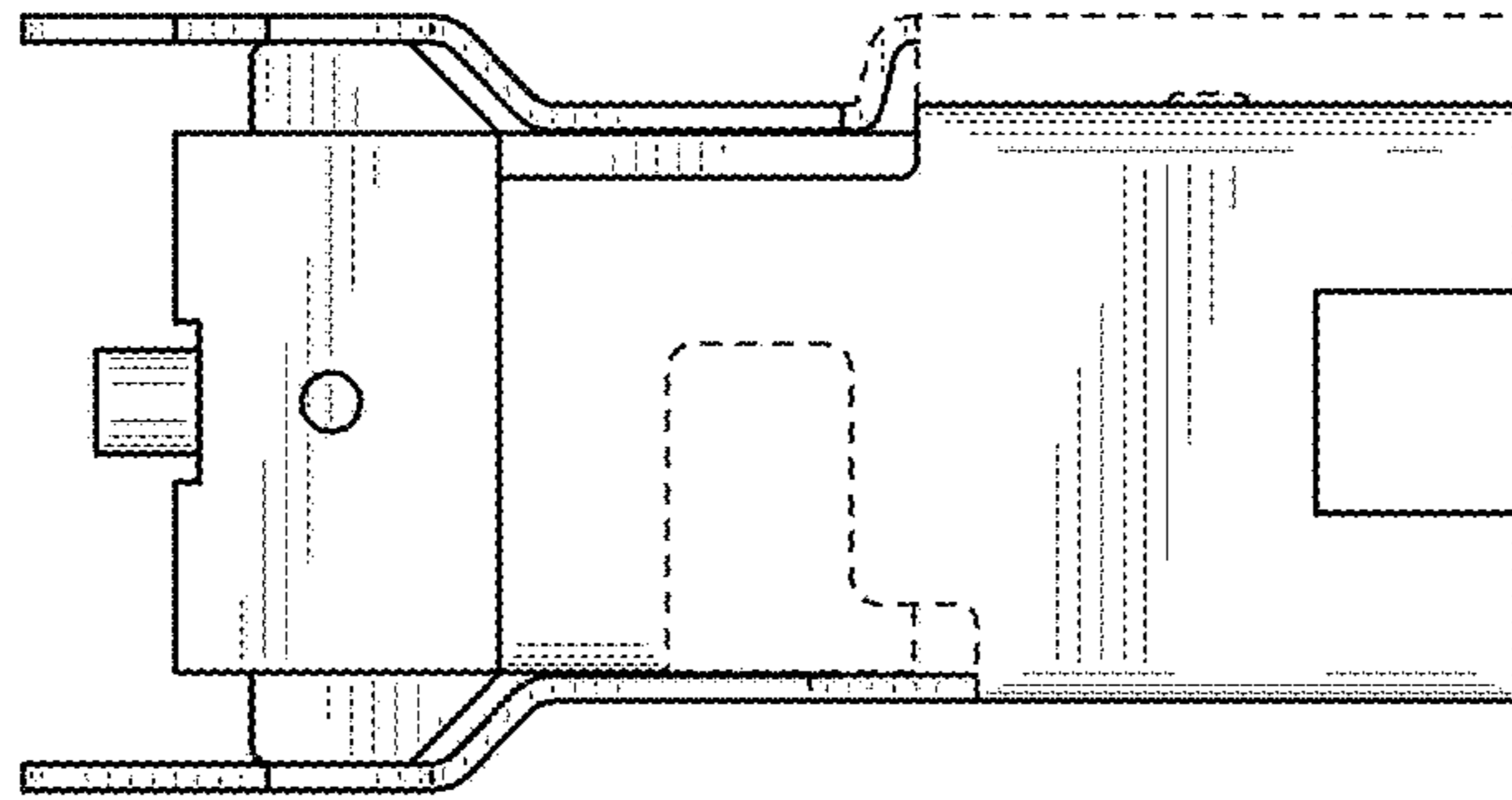


FIG. 7

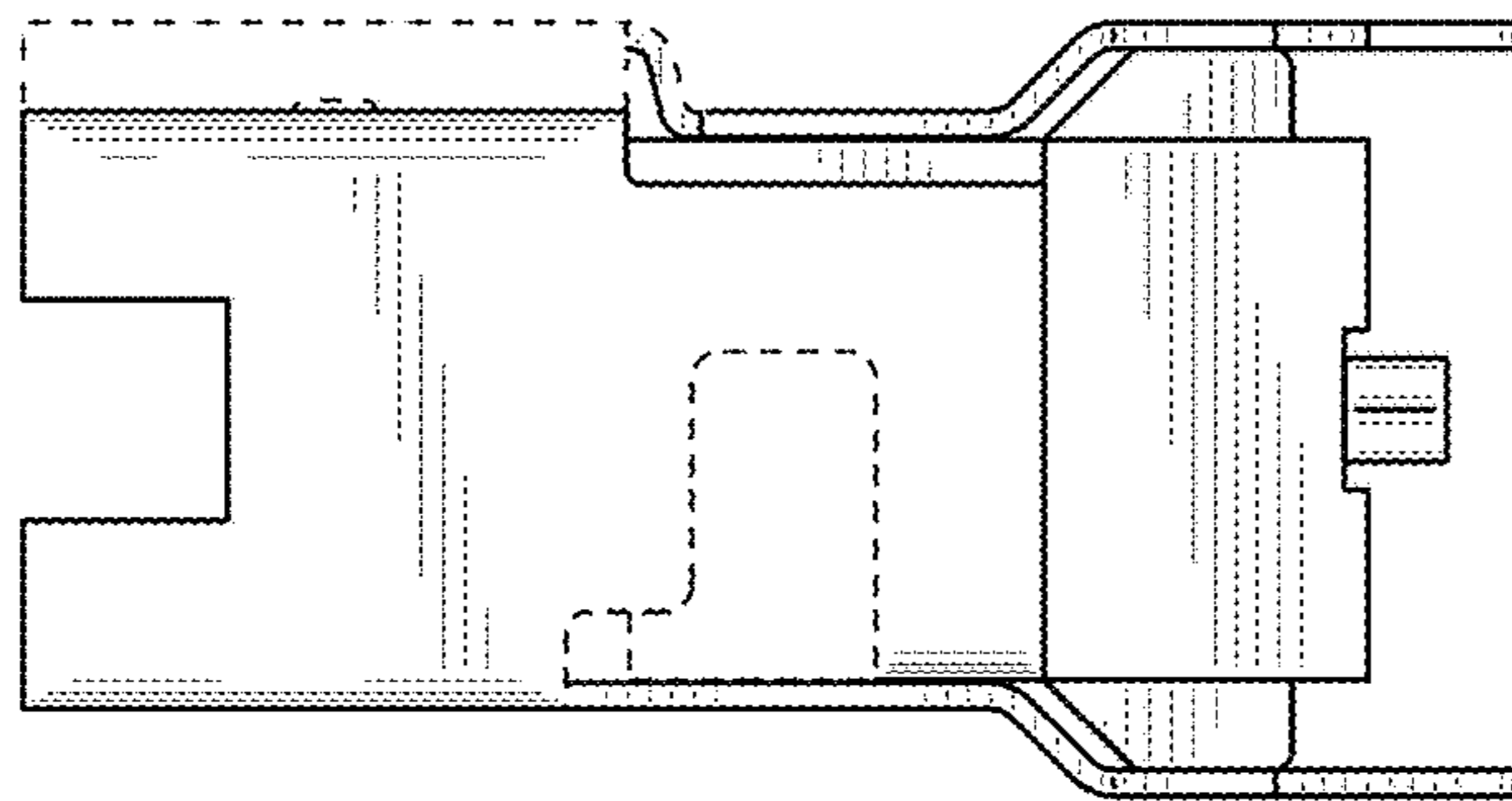


FIG. 8

