



US00D812568S

(12) **United States Design Patent**
Kirk et al.

(10) **Patent No.:** **US D812,568 S**
(45) **Date of Patent:** **** Mar. 13, 2018**

- (54) **ELECTRICAL CONNECTOR**
- (71) Applicant: **Amphenol Corporation**, Wallingford Center, CT (US)
- (72) Inventors: **Brian Kirk**, Amherst, NH (US); **Jason Si**, Toronto (CA); **Ba Pham**, Toronto (CA); **Sam Kocsis**, Nashua, NH (US)
- (73) Assignee: **Amphenol Corporation**, Wallingford, CT (US)

D719,922 S	12/2014	Yokoyama
D721,657 S	1/2015	Yamaguchi
D722,026 S	2/2015	Yokoyama
D726,657 S	4/2015	Takenaga et al.
D729,173 S	5/2015	Fukumoto

FOREIGN PATENT DOCUMENTS

CN	203574938 U	4/2014
TW	D152287 S1	4/2012
TW	D172199 S1	6/2014

OTHER PUBLICATIONS

U.S. Appl. No. 29/563,517, filed May 5, 2016, Kirk et al.
U.S. Appl. No. 29/563,521, filed May 5, 2016, Kirk et al.

* cited by examiner

Primary Examiner — Daniel Bui
(74) *Attorney, Agent, or Firm* — Wolf, Greenfield & Sacks, P.C.

- (**) Term: **15 Years**
- (21) Appl. No.: **29/561,014**
- (22) Filed: **Apr. 12, 2016**
- (51) **LOC (11) Cl.** **13-03**
- (52) **U.S. Cl.**
USPC **D13/147**
- (58) **Field of Classification Search**
USPC D13/133, 146, 147, 154, 156, 184, 199;
D14/432, 433, 434, 435.1, 438
CPC H01R 12/64; H01R 12/71; H01R 13/5219;
H01R 13/6581; H01R 13/6596; H01R
13/6873; H01R 13/748
See application file for complete search history.

(57) **CLAIM**

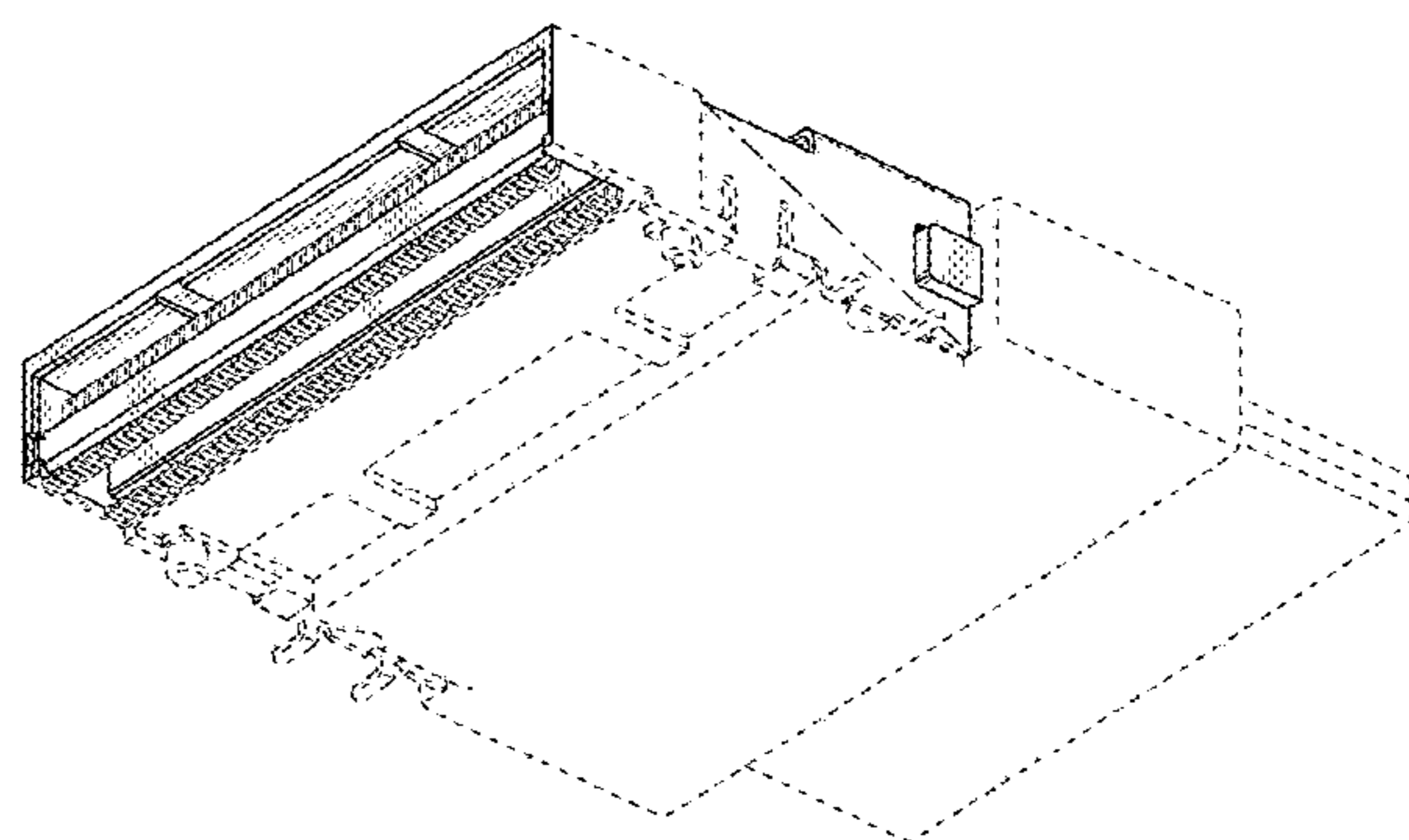
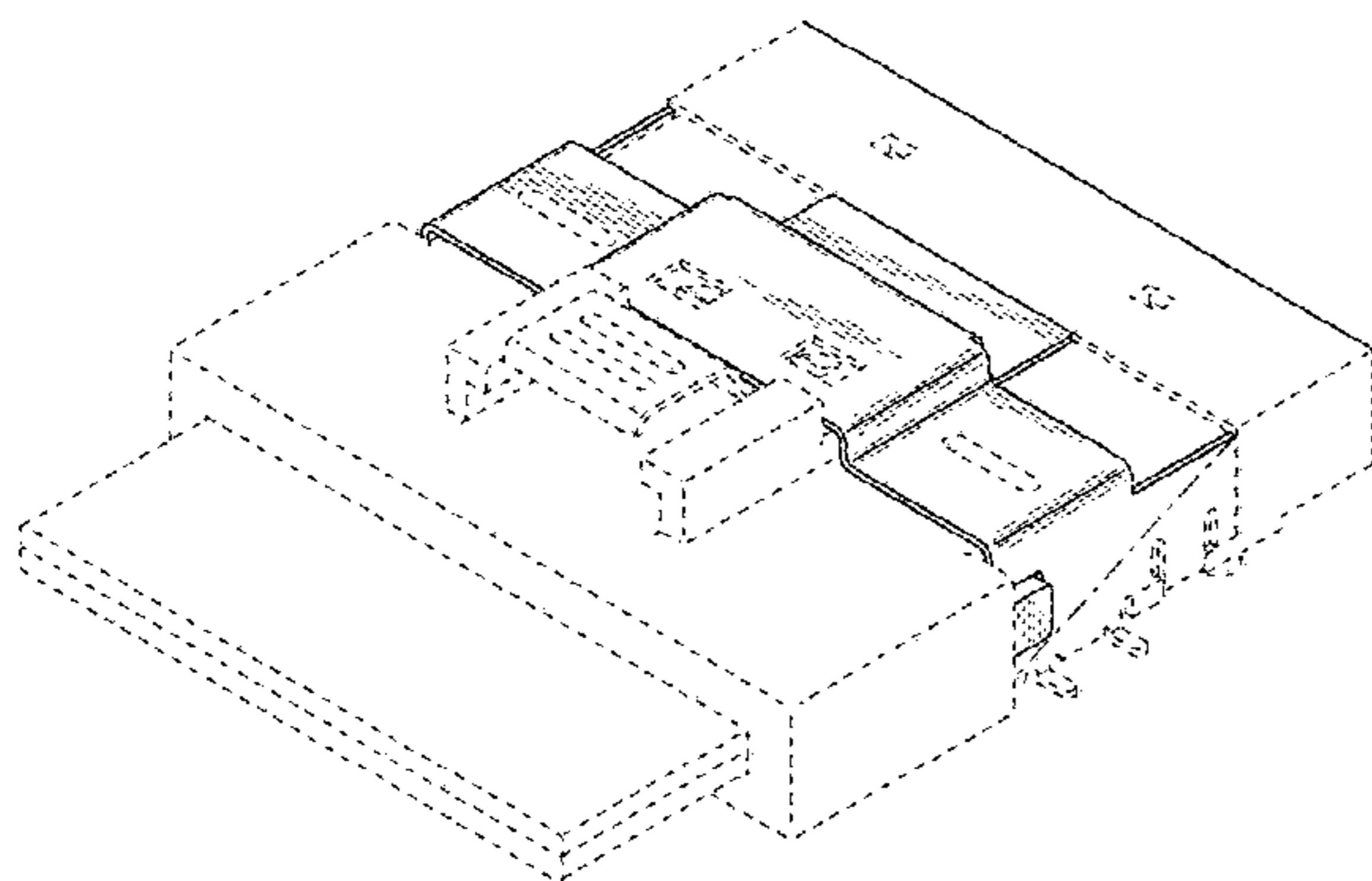
The ornamental design for an electrical connector, as shown and described.

DESCRIPTION

FIG. 1 is a top, rear, left side perspective view of an electrical connector showing our new design; FIG. 2 is a top plan view thereof; FIG. 3 is a rear elevation view thereof; FIG. 4 is a front elevation view thereof; FIG. 5 is a bottom plan view thereof; FIG. 6 is a right side elevation view thereof; FIG. 7 is a left side elevation view thereof; and, FIG. 8 is a bottom, front, right side perspective view thereof. The dash-dash broken lines represent portions of the electrical connector that form no part of the claimed design. The dot-dash broken lines represent boundaries of the claimed design and form no part of the claimed design.

1 Claim, 5 Drawing Sheets

- (56) **References Cited**
U.S. PATENT DOCUMENTS
D322,604 S * 12/1991 Komatsu D13/147
D580,359 S 11/2008 Su et al.
D583,766 S 12/2008 Chiang
D598,862 S 8/2009 Chen
D601,505 S 10/2009 Fukazawa et al.
D626,077 S 10/2010 Huang
D671,896 S 12/2012 Wang et al.
D698,733 S * 2/2014 Yokoyama D13/147
D698,734 S * 2/2014 Yokoyama D13/147
D699,192 S 2/2014 Takenaga et al.
D703,615 S 4/2014 Takenaga et al.
D706,221 S * 6/2014 Grant D13/147



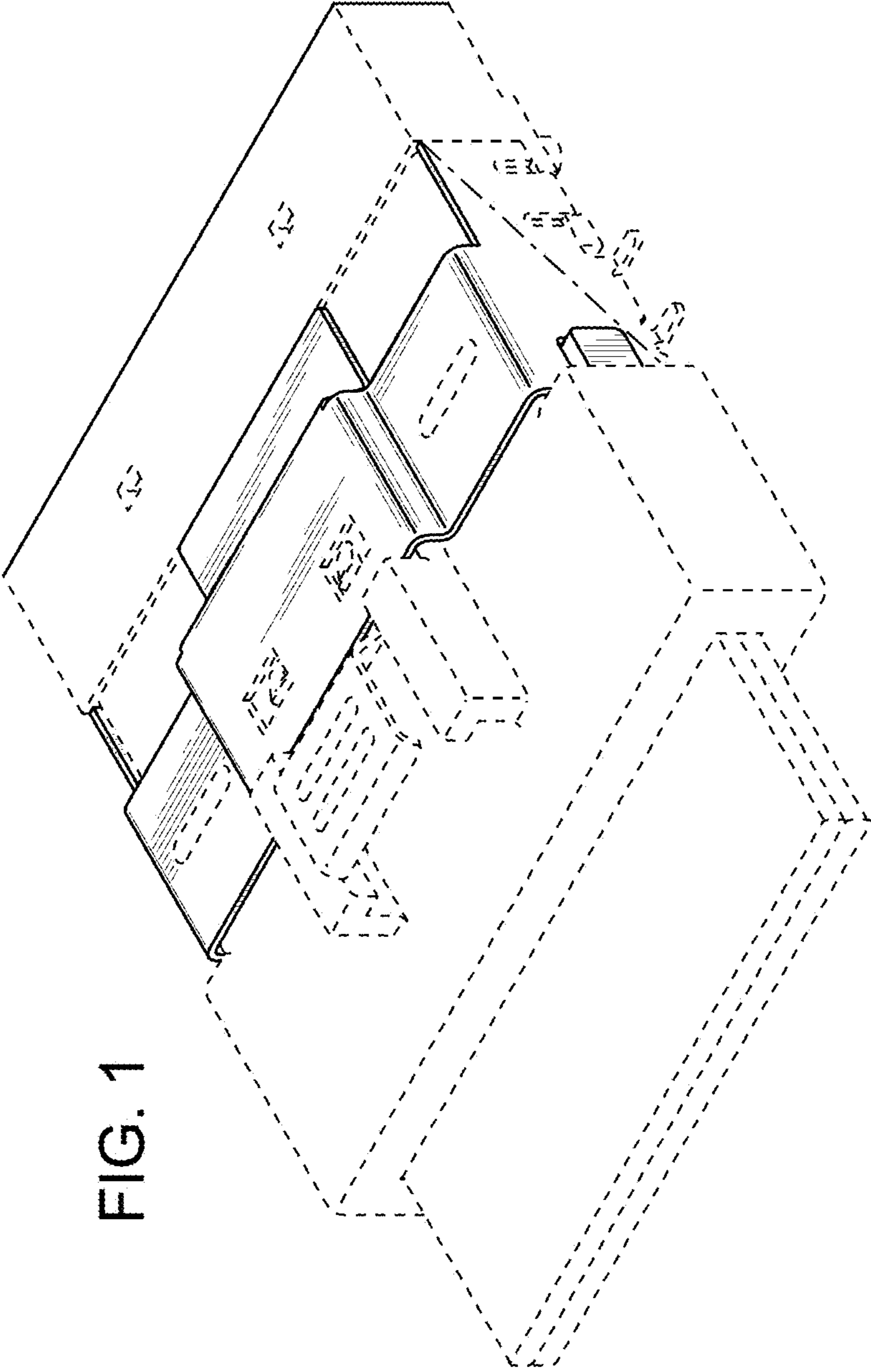


FIG. 1

FIG. 2

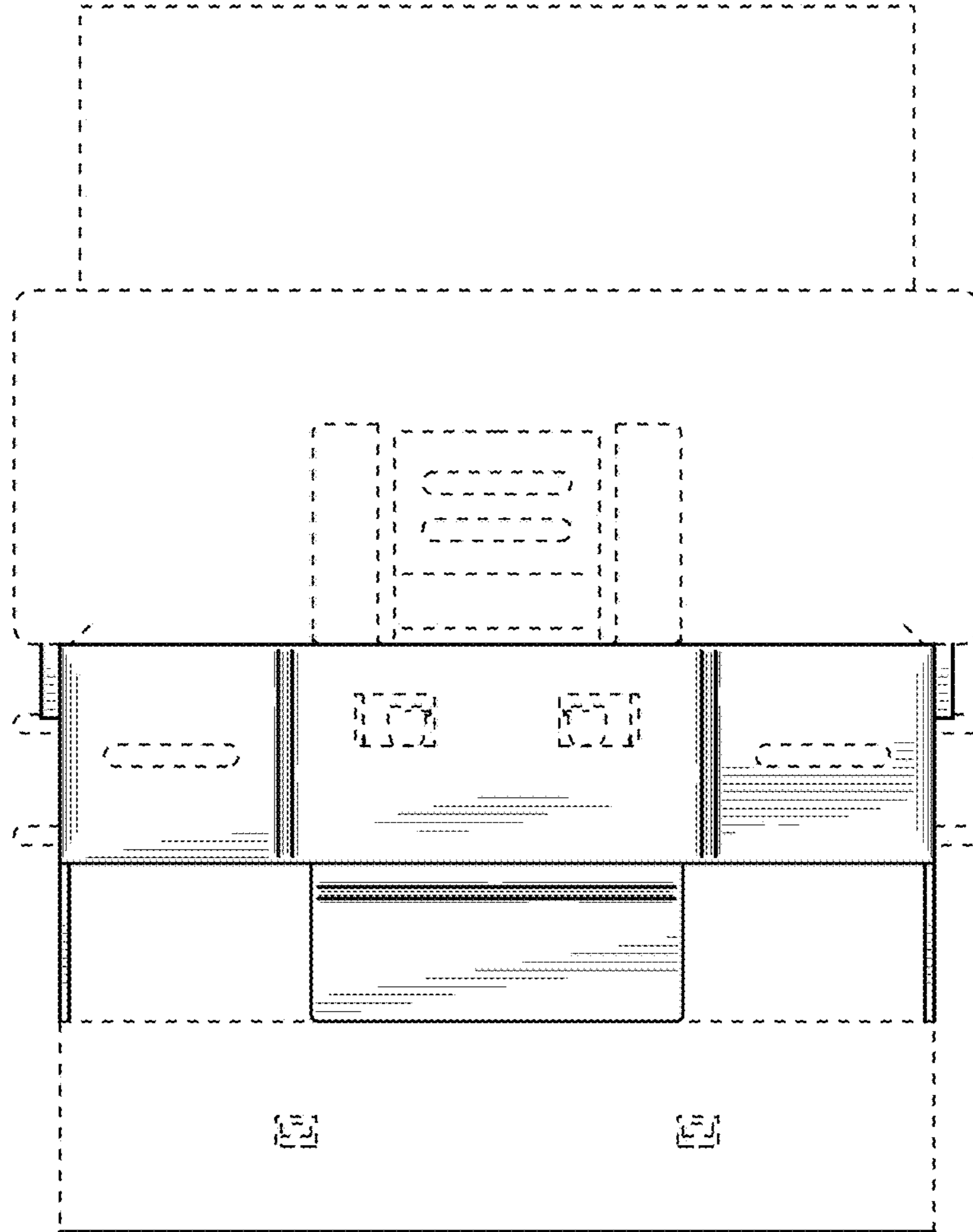


FIG. 3

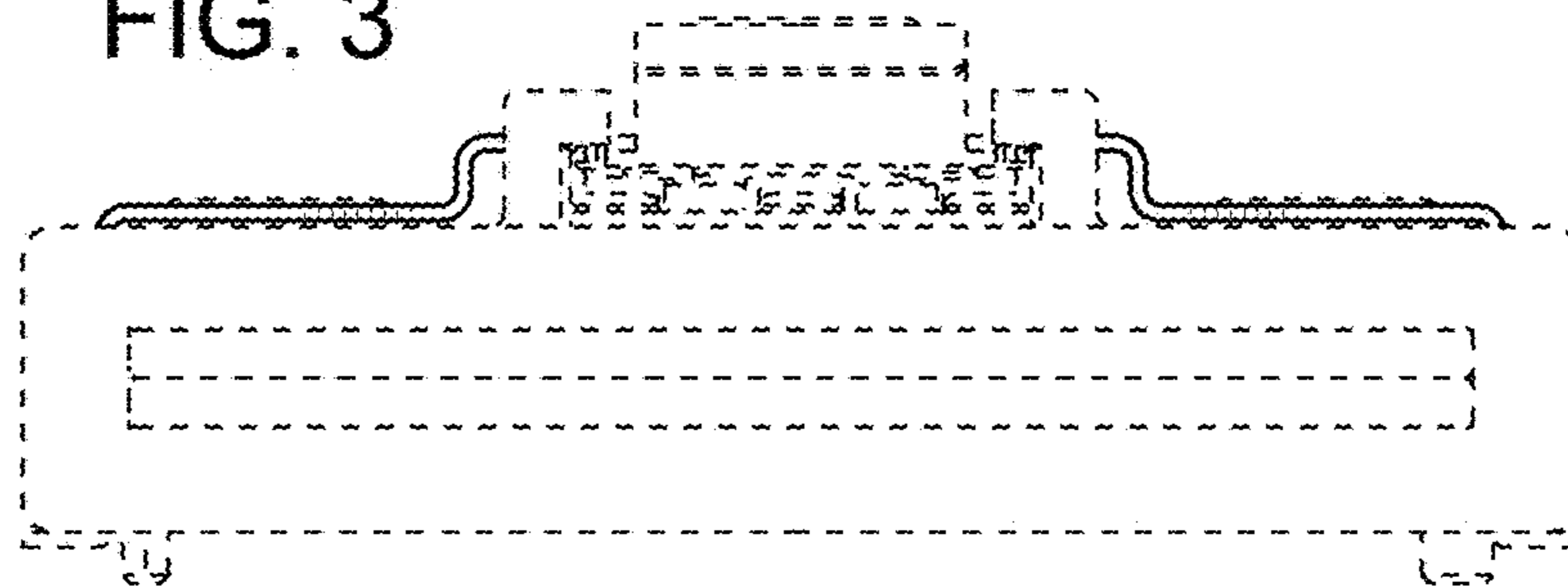


FIG. 4

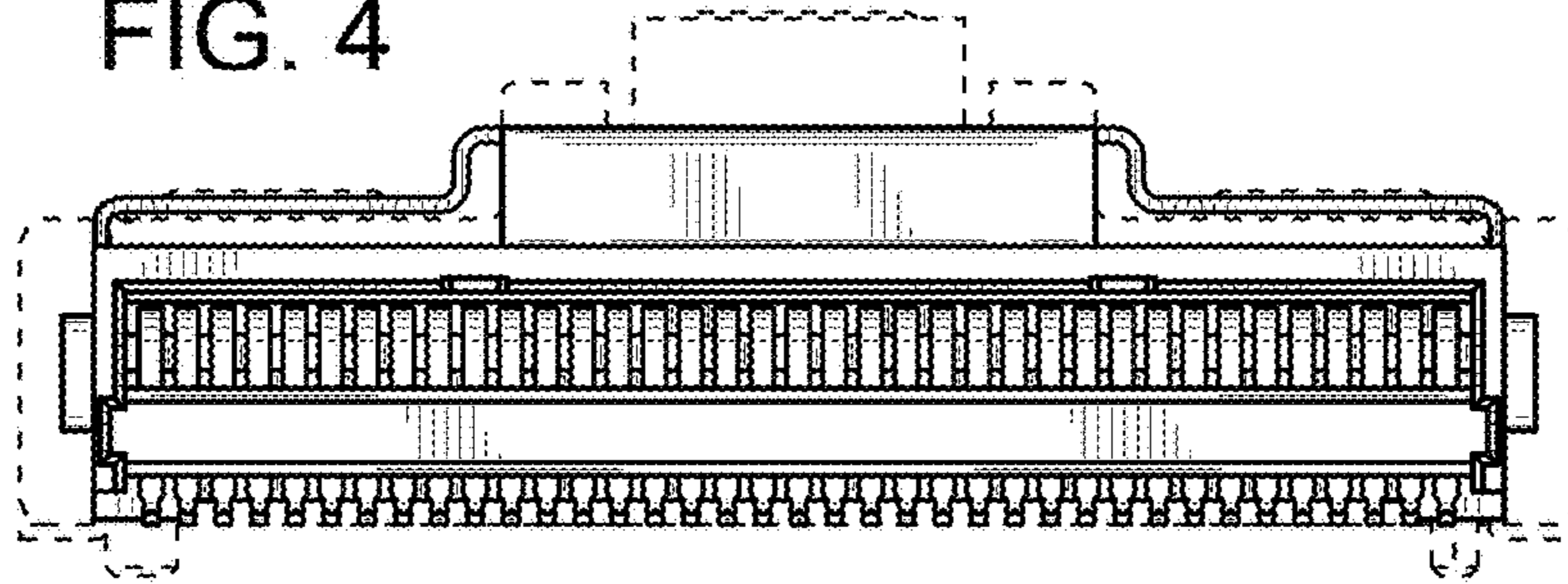


FIG. 5

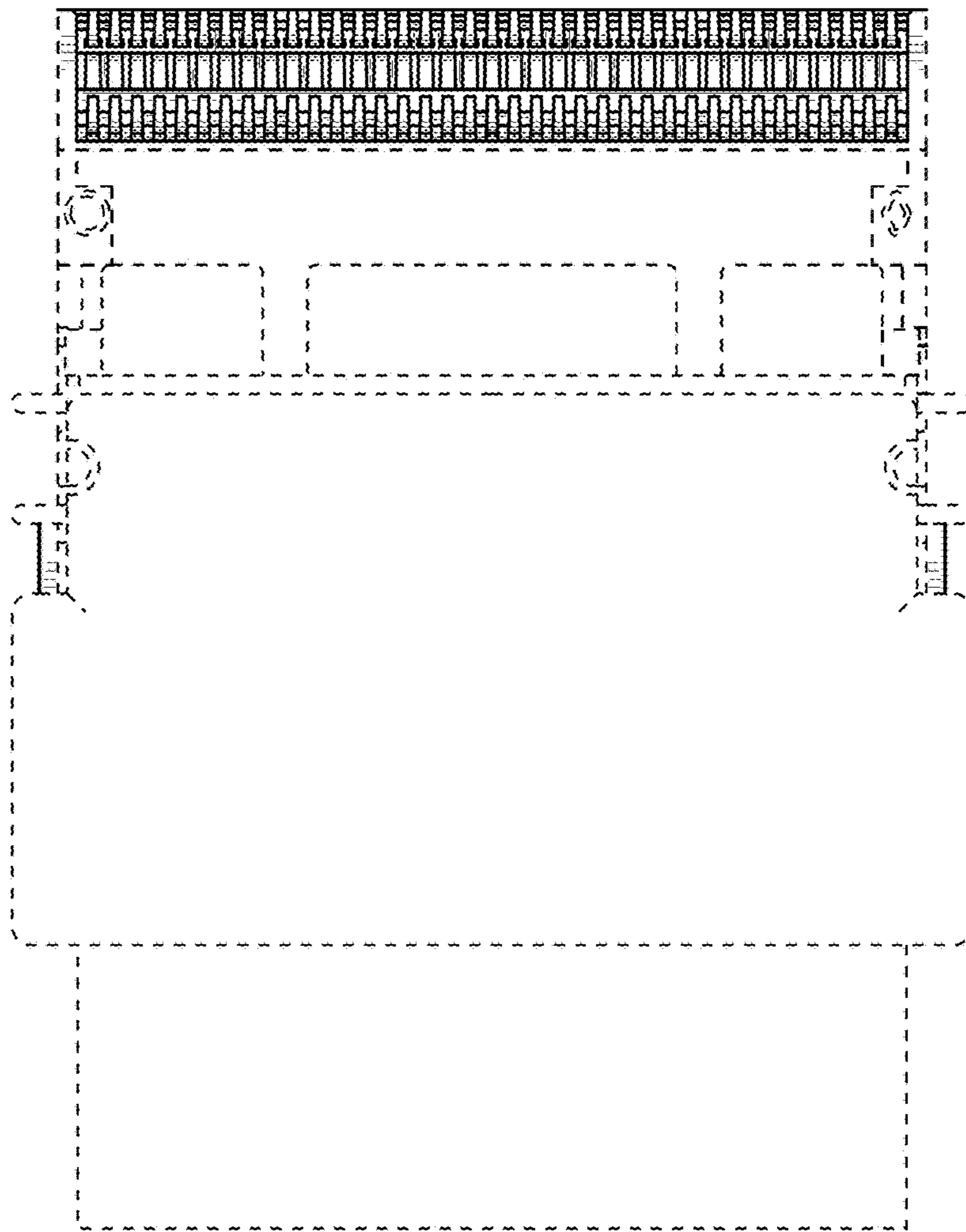


FIG. 6

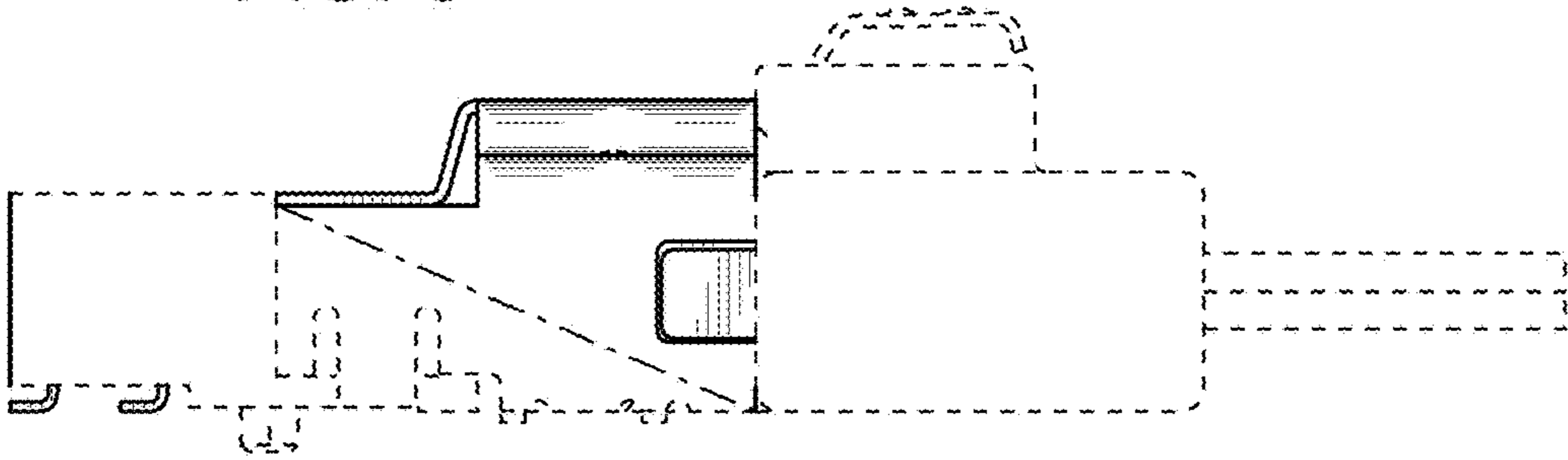
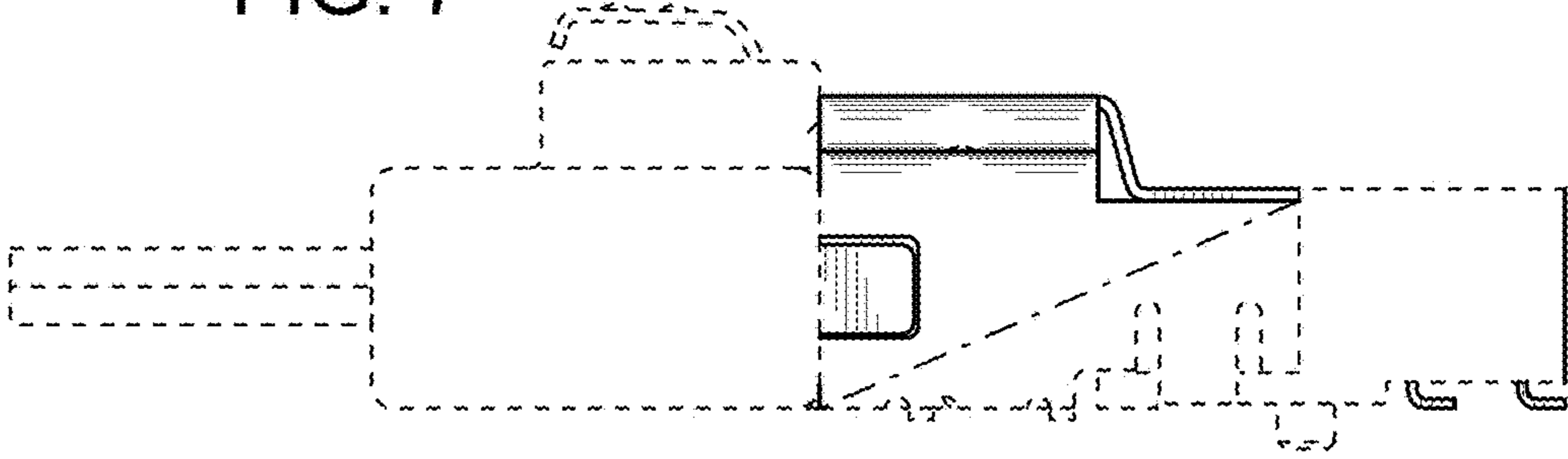


FIG. 7



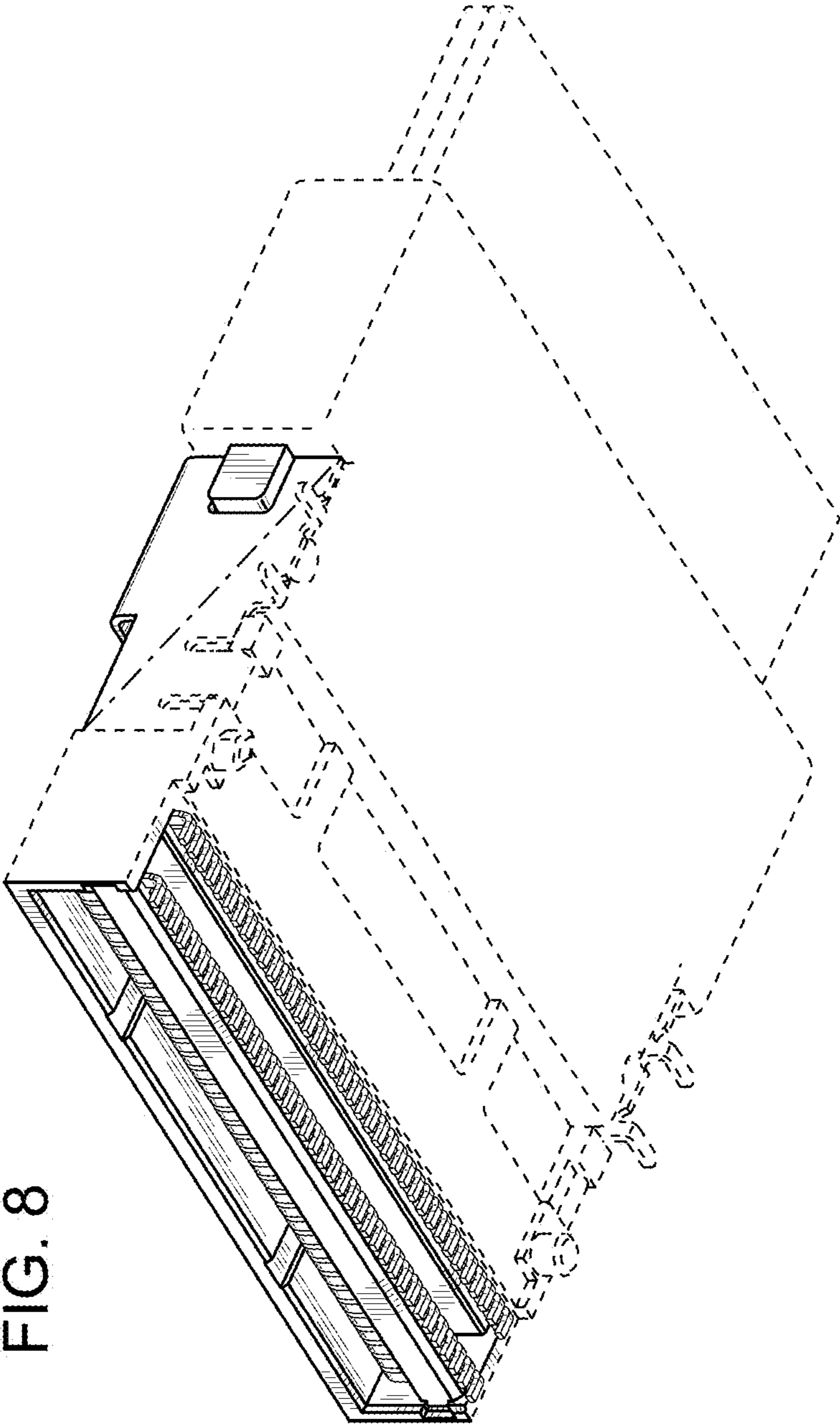


FIG. 8