



US00D812567S

(12) **United States Design Patent**
Eshelman et al.

(10) **Patent No.:** **US D812,567 S**
(45) **Date of Patent:** **** Mar. 13, 2018**

(54) **ELECTRICAL EXTENSION CORD
RECEPTACLE END**

(71) Applicant: **360 Electrical, L.L.C.**, Salt Lake City,
UT (US)

(72) Inventors: **Brandon Eshelman**, Salt Lake City,
UT (US); **Cameron Bigler**, Salt Lake
City, UT (US); **Adam Boushley**,
Midvale, UT (US)

(73) Assignee: **360 Electrical, L.L.C.**, Salt Lake City,
UT (US)

(**) Term: **15 Years**

(21) Appl. No.: **29/582,846**

(22) Filed: **Oct. 31, 2016**

(51) **LOC (11) Cl.** **13-03**

(52) **U.S. Cl.**
USPC **D13/139.7**

(58) **Field of Classification Search**
USPC D13/108–110, 133, 137.1–137.4,
D13/138.1–138.2, 139.1–139.8, 152–154,
D13/156, 173, 177, 151, 146, 147, 107,
D13/139.7; D14/433, 435.1, 432;
D8/350–353, 331, 396, 398, 399, 382,
D8/383, 387, 393, 343
CPC H01R 25/00; H01R 25/006; H01R 25/003;
H01R 9/00; H01R 11/00; H01R 13/46;
H01R 13/62; H01R 13/639; H01R
13/6392; H02J 2007/0062; H02G 3/14
See application file for complete search history.

(56) **References Cited**

U.S. PATENT DOCUMENTS

D242,720 S * 12/1976 Loforese D13/146
D270,629 S * 9/1983 Drew D13/139.7

D400,505 S * 11/1998 Yu D13/139.6
D425,863 S * 5/2000 Yu D13/139.6
D685,741 S * 7/2013 Byrne D13/139.7
D693,306 S * 11/2013 Chuang D13/139.1
D747,722 S * 1/2016 Webb D14/433
D775,077 S * 12/2016 Xu D13/137.2
D776,064 S * 1/2017 Insalaco D13/137.4
D778,828 S * 2/2017 Morgan D13/108

(Continued)

Primary Examiner — Rosemary K Tarcza

Assistant Examiner — Christy M Nemeth

(74) *Attorney, Agent, or Firm* — Lauff Law PLLC

(57) **CLAIM**

The ornamental design for an electrical extension cord
receptacle end, substantially as shown and described.

DESCRIPTION

FIG. 1 is a top plan view of the electrical extension cord
receptacle end;

FIG. 2 is a right side elevation view thereof;

FIG. 3 is a left side elevation view thereof;

FIG. 4 is a bottom plan view thereof;

FIG. 5 is a front elevation view thereof;

FIG. 6 is a rear elevation view thereof;

FIG. 7 is a top-rear-left side perspective view thereof;

FIG. 8 is a top-rear-right side perspective view thereof;

FIG. 9 is a top-front-right side perspective view thereof;

FIG. 10 is a top-front-left side perspective view thereof;

FIG. 11 is a bottom-rear-right side perspective view thereof;

FIG. 12 is a bottom-rear-left side perspective view thereof;

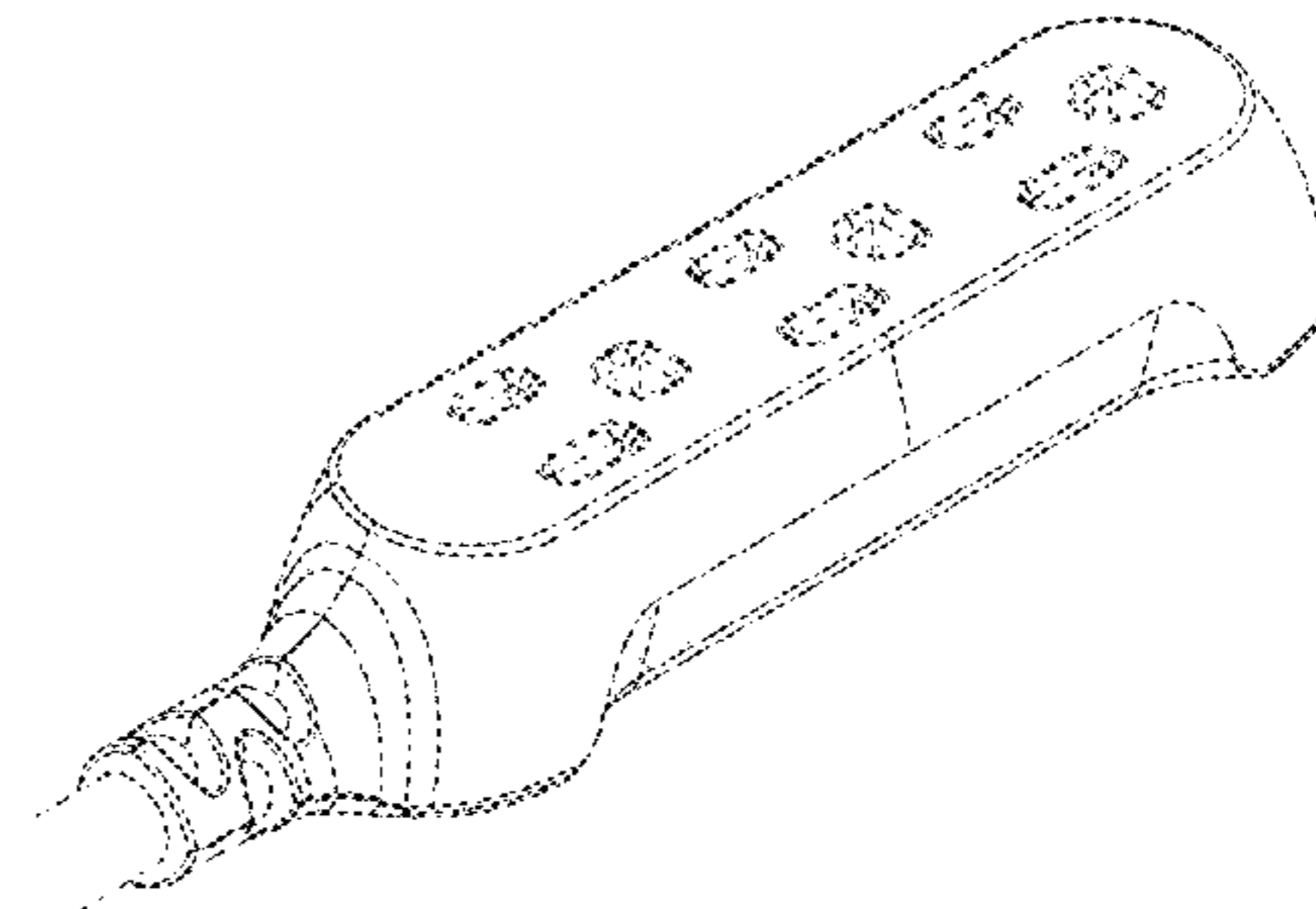
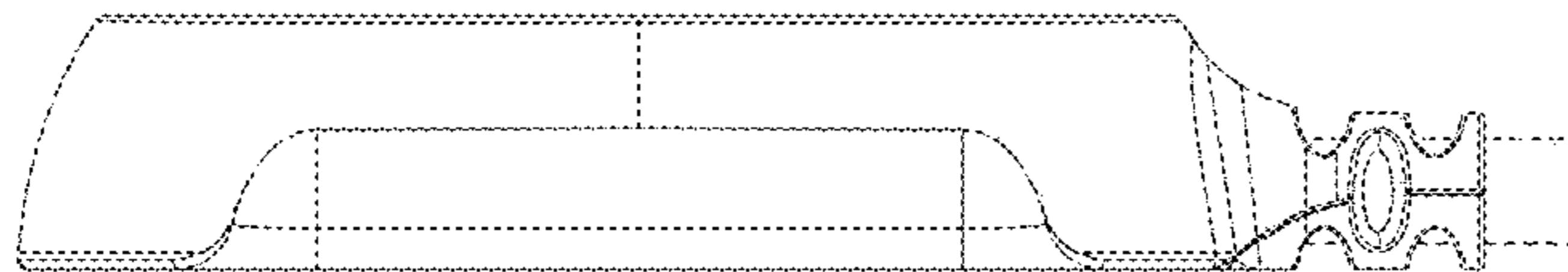
FIG. 13 is a bottom-front-left side perspective view thereof;

and,

FIG. 14 is a bottom-front-right side perspective view
thereof.

The broken lines in the drawings are for the purpose of
illustrating portions of the electrical extension cord recep-
tacle end that form no part of the claimed design.

1 Claim, 5 Drawing Sheets



(56)

References Cited

U.S. PATENT DOCUMENTS

D786,797 S * 5/2017 Hsu D13/137.2
2012/0001488 A1 * 1/2012 Puschnigg H01R 13/665
307/40

* cited by examiner

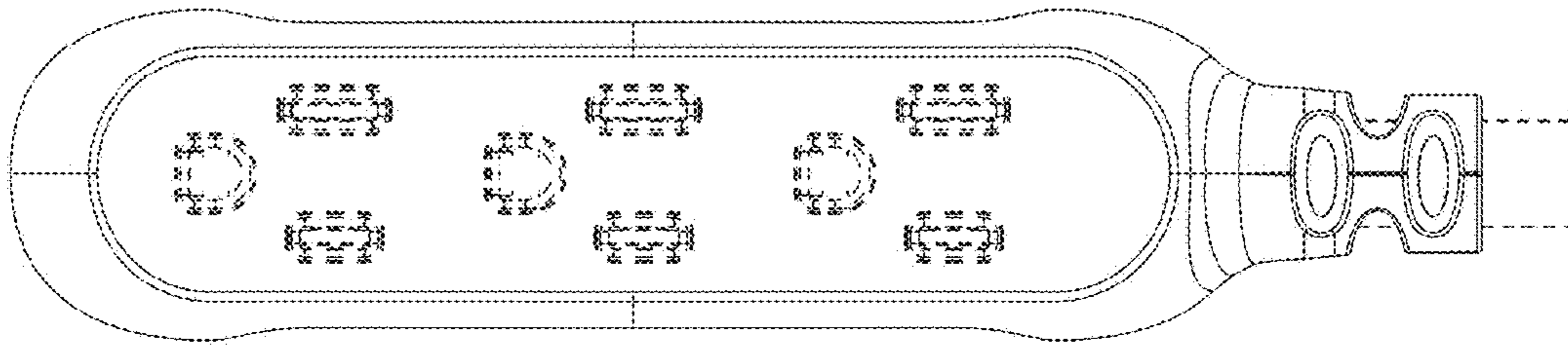


Fig. 1

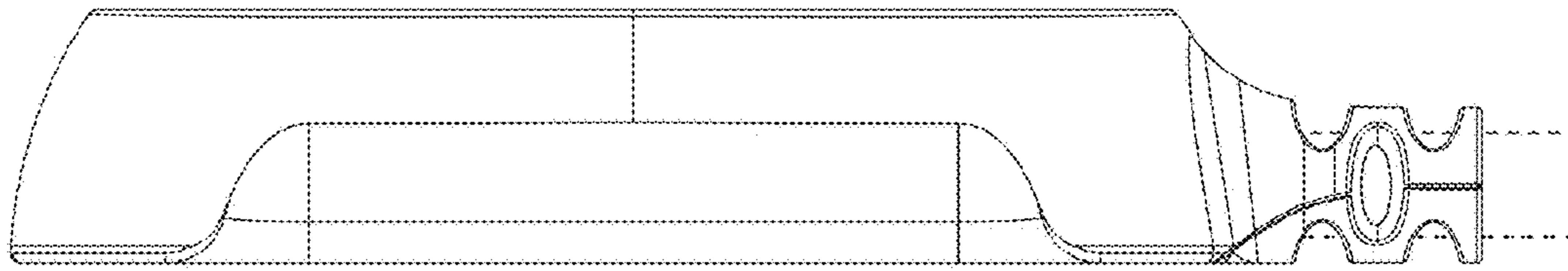


Fig. 2

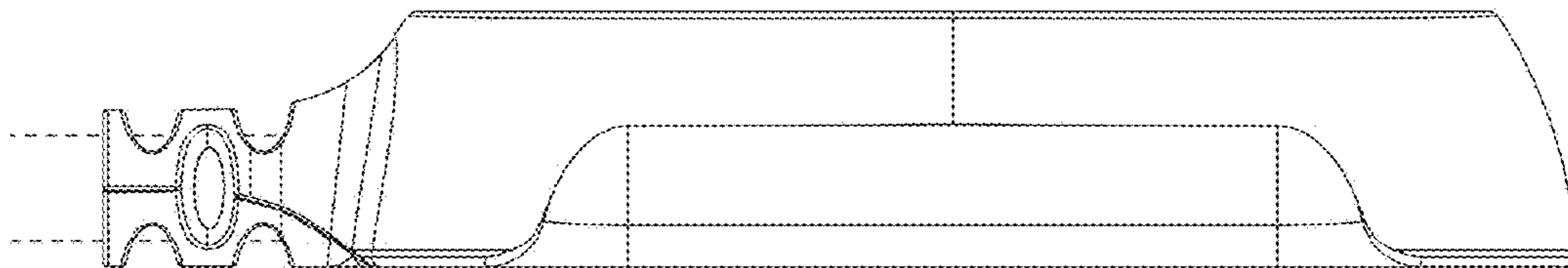


Fig. 3

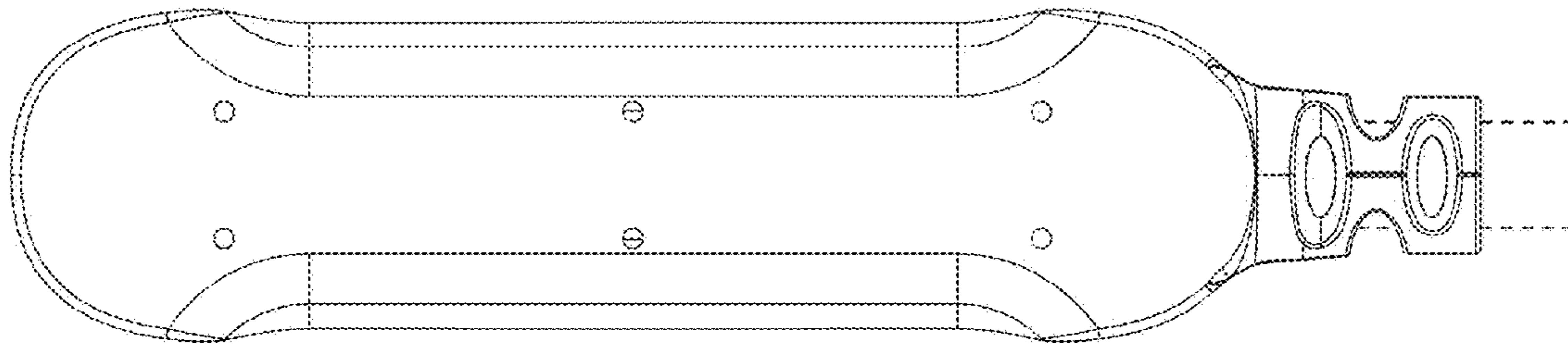


Fig. 4

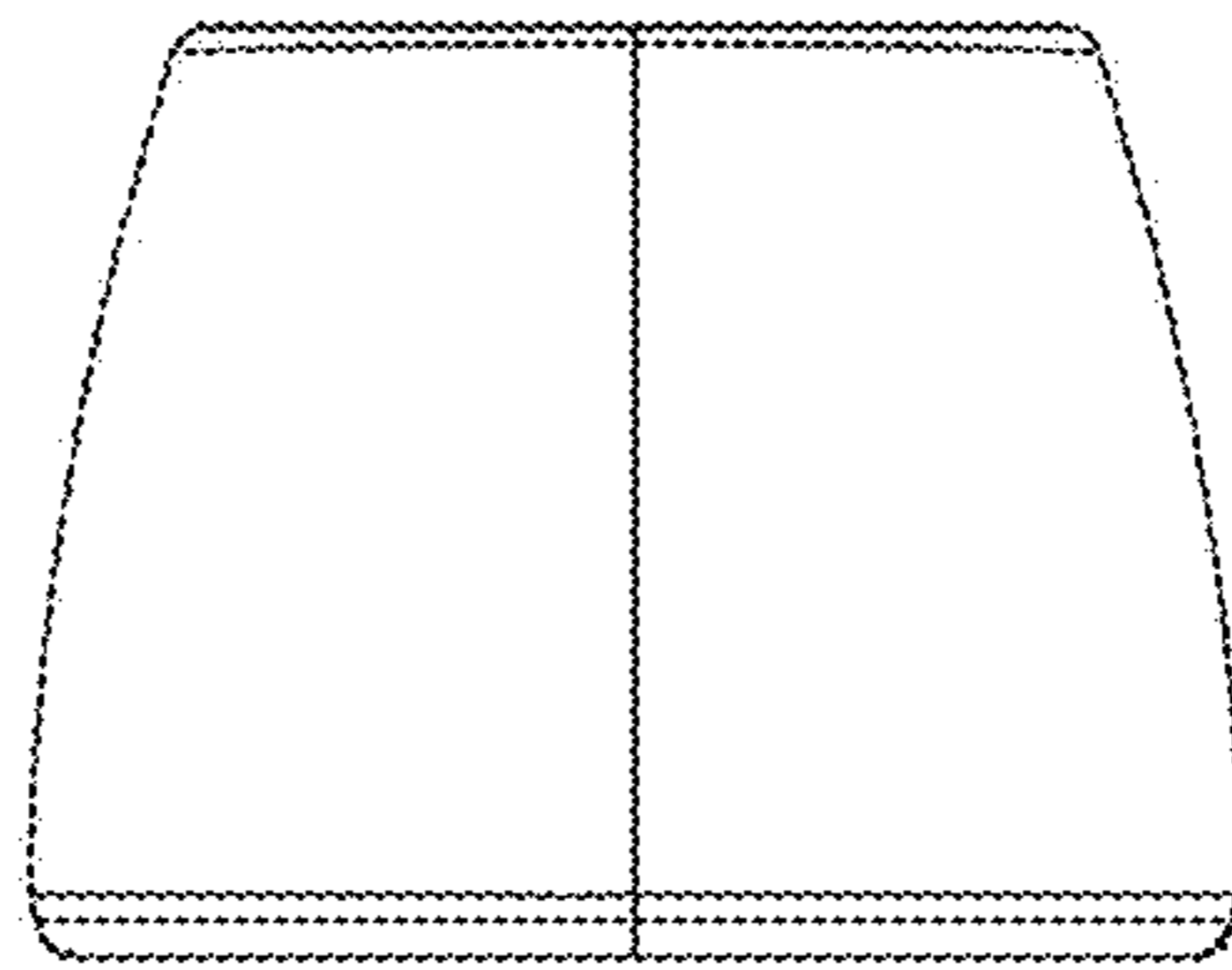


Fig. 5

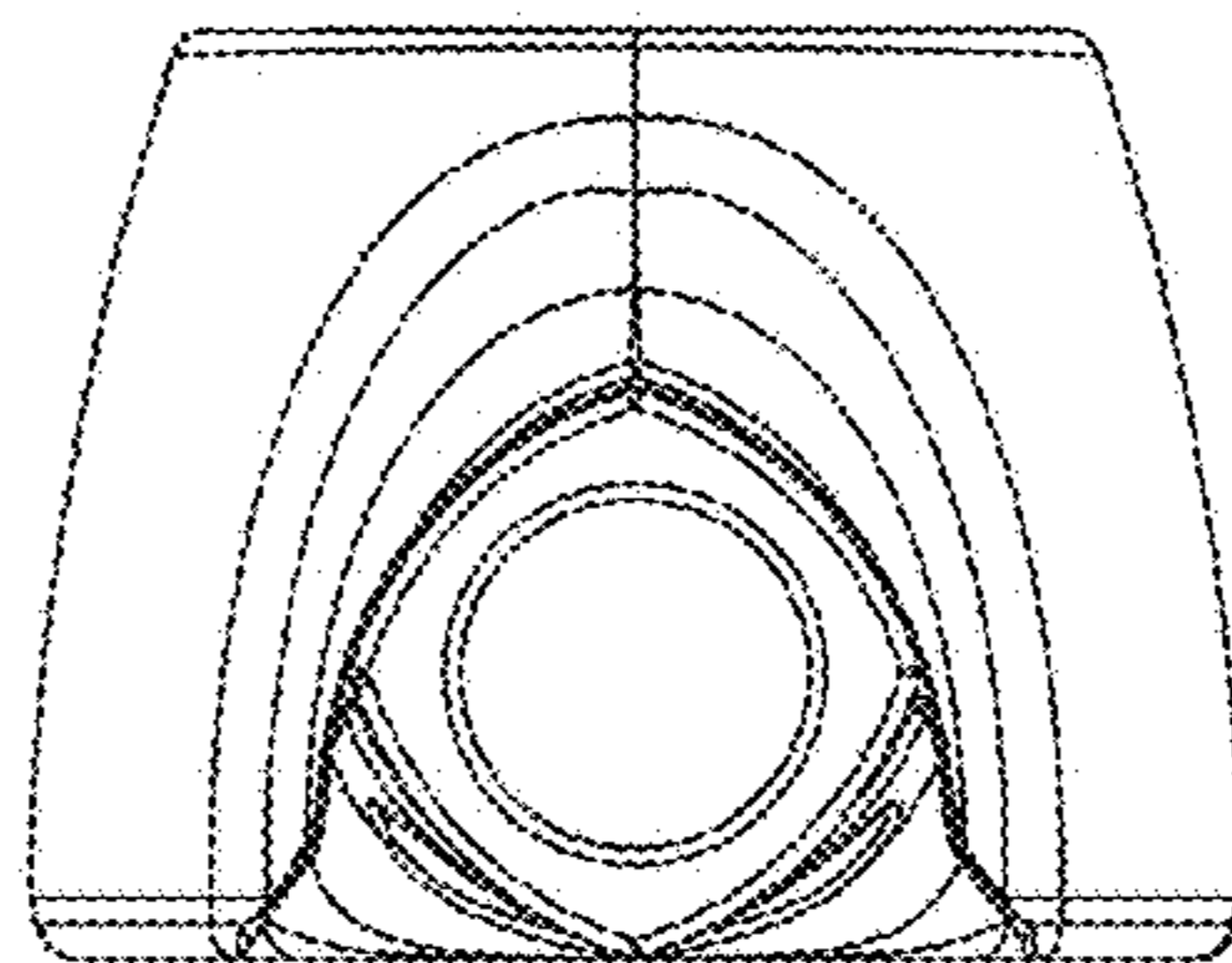


Fig. 6

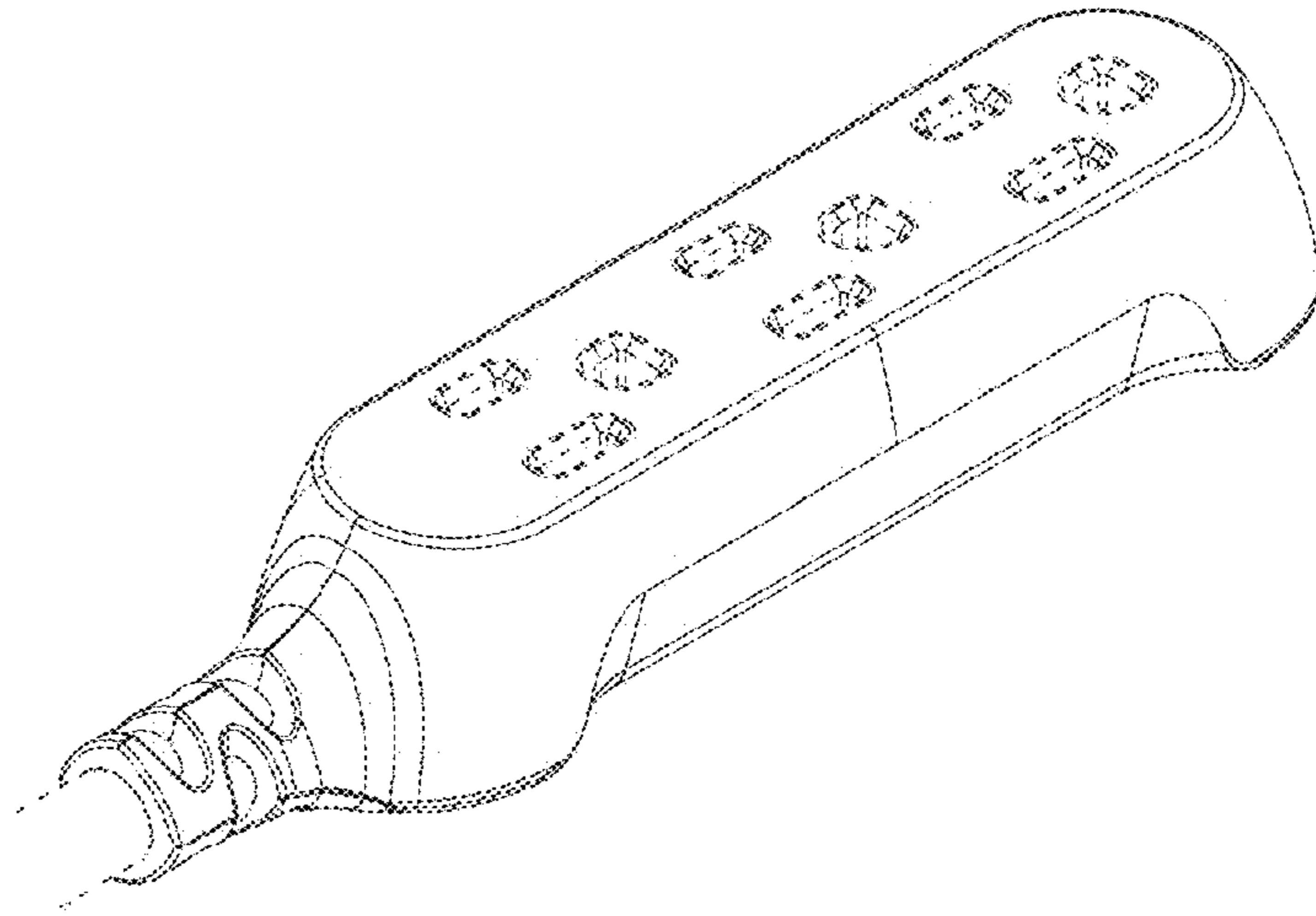


Fig. 7

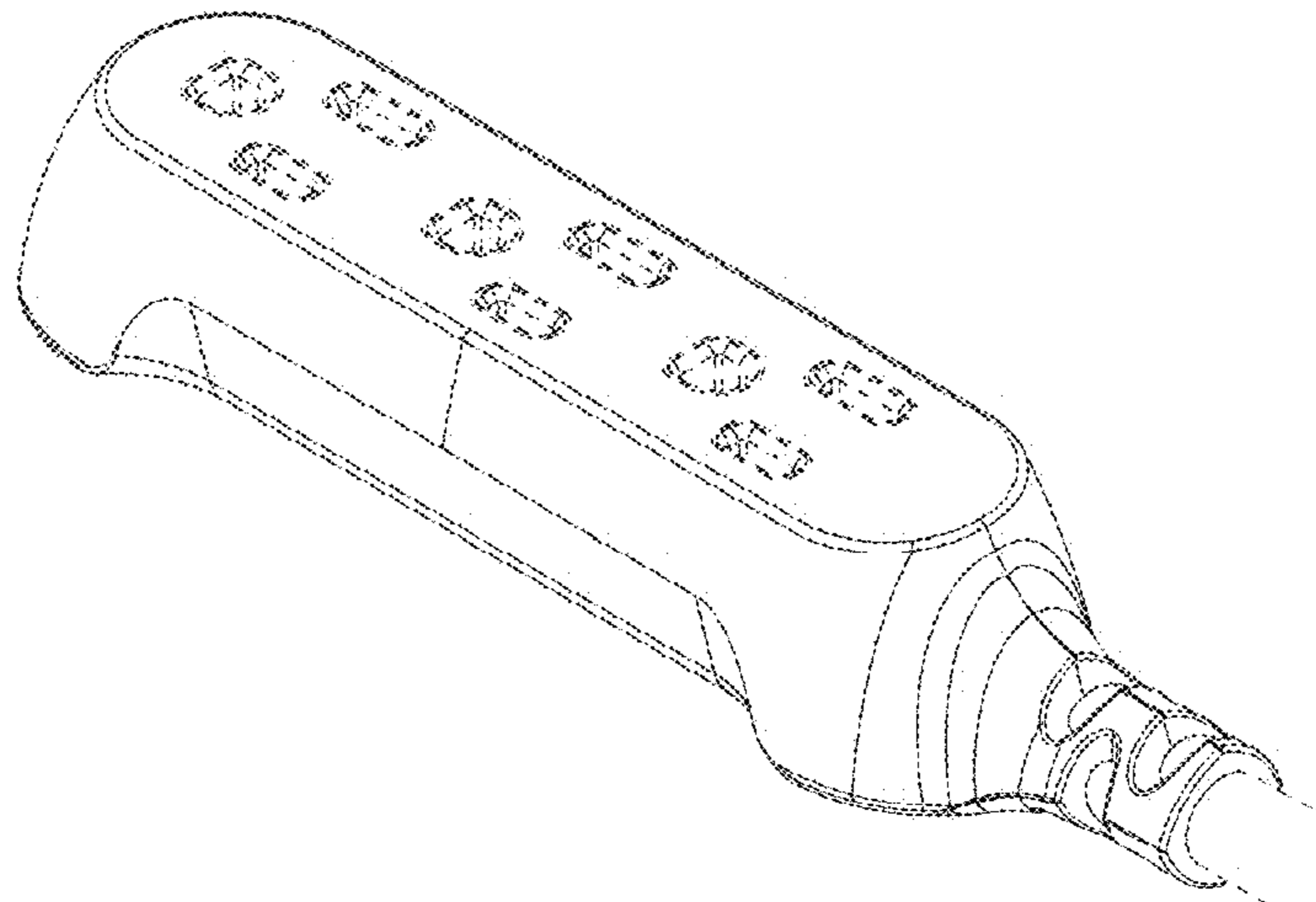


Fig. 8

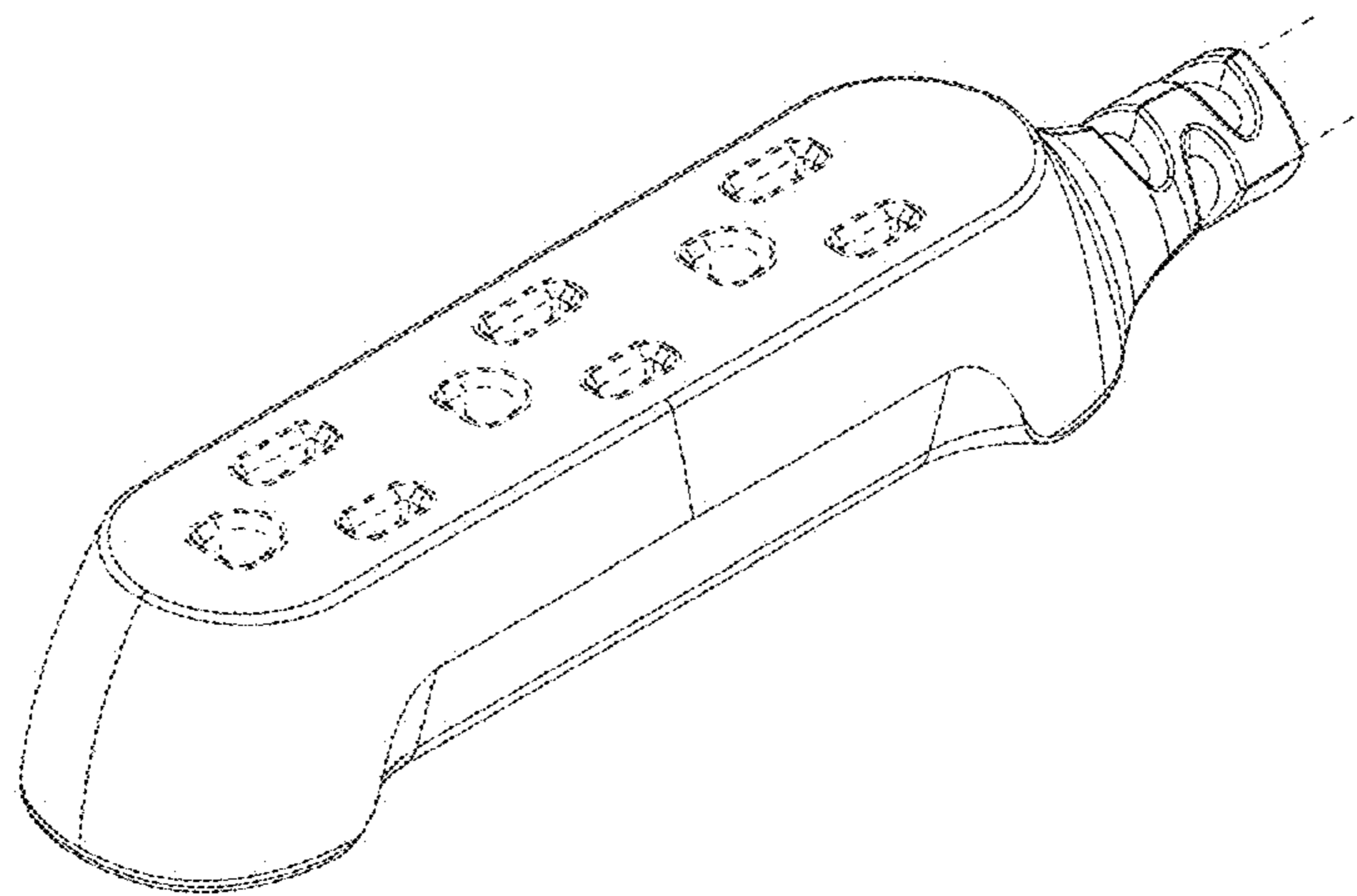


Fig. 9

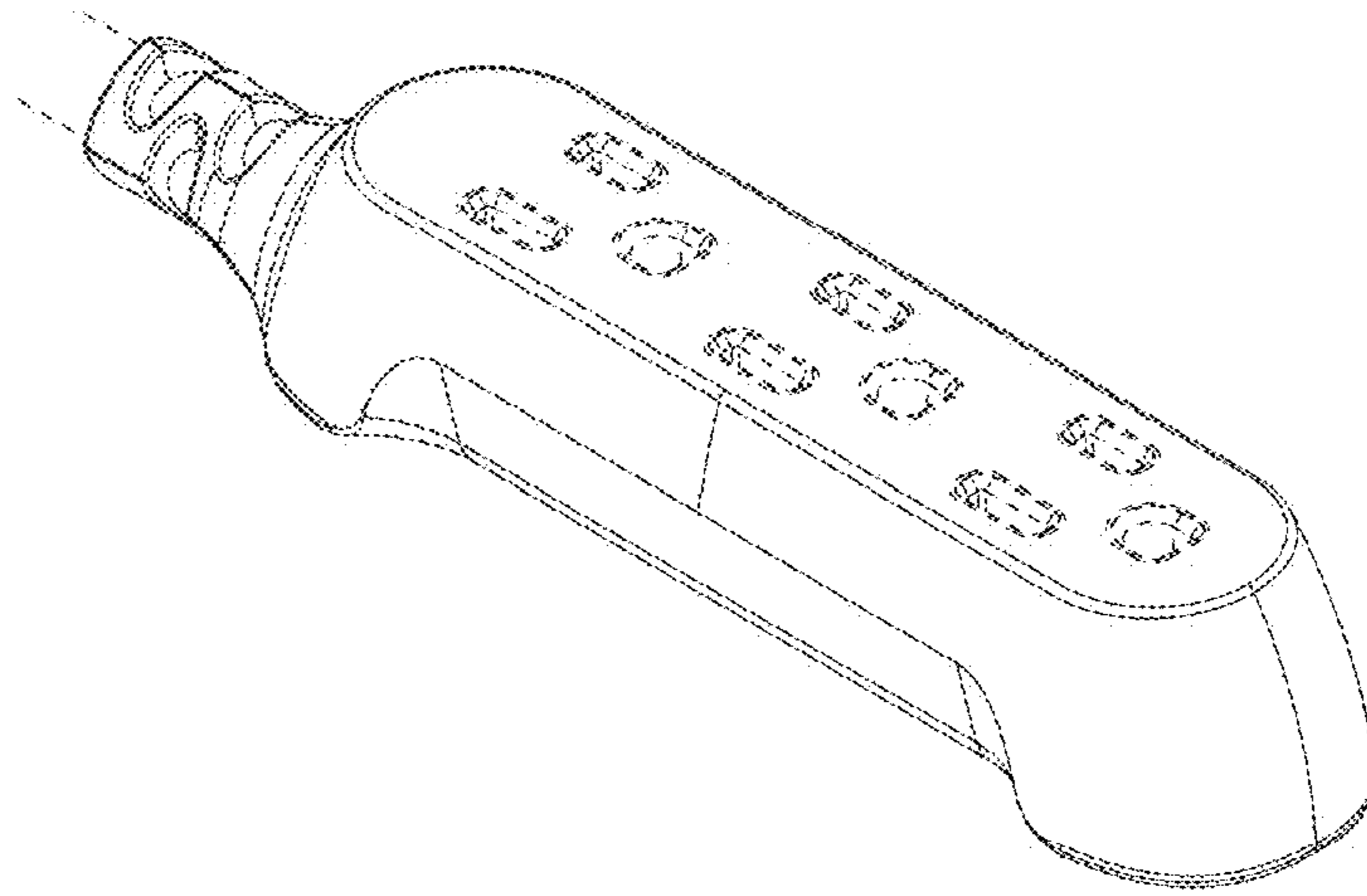


Fig. 10

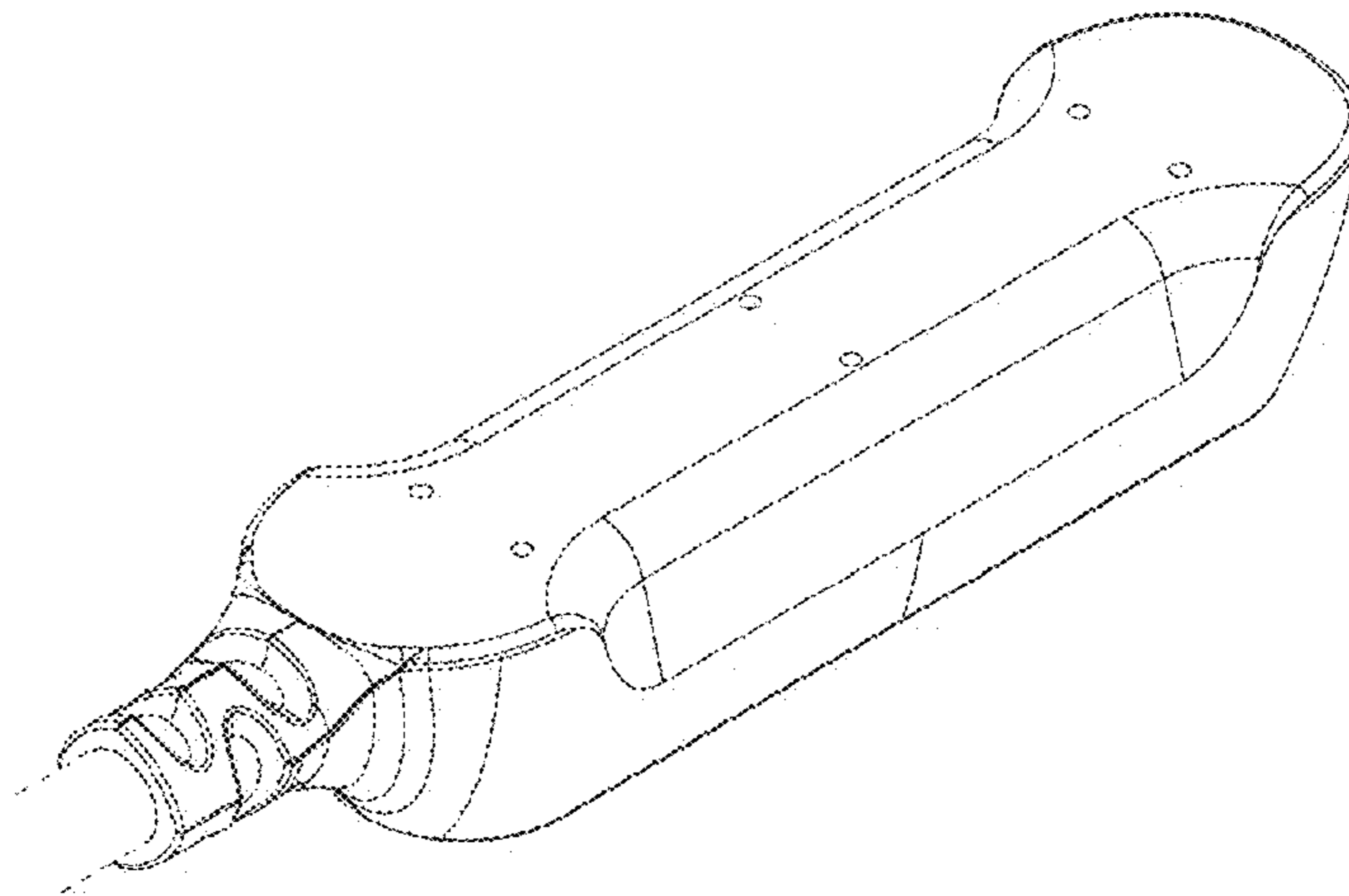


Fig. 11

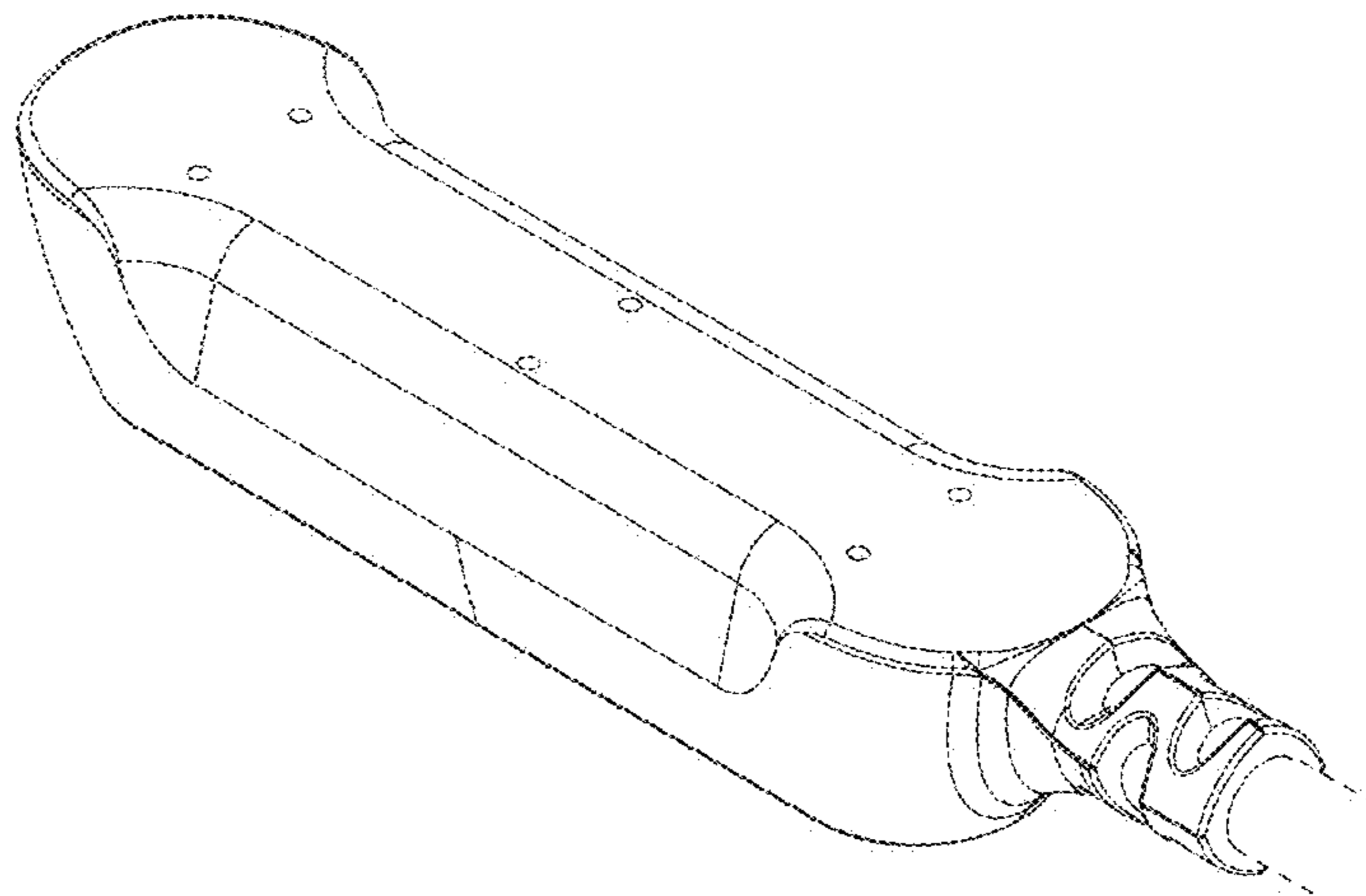


Fig. 12

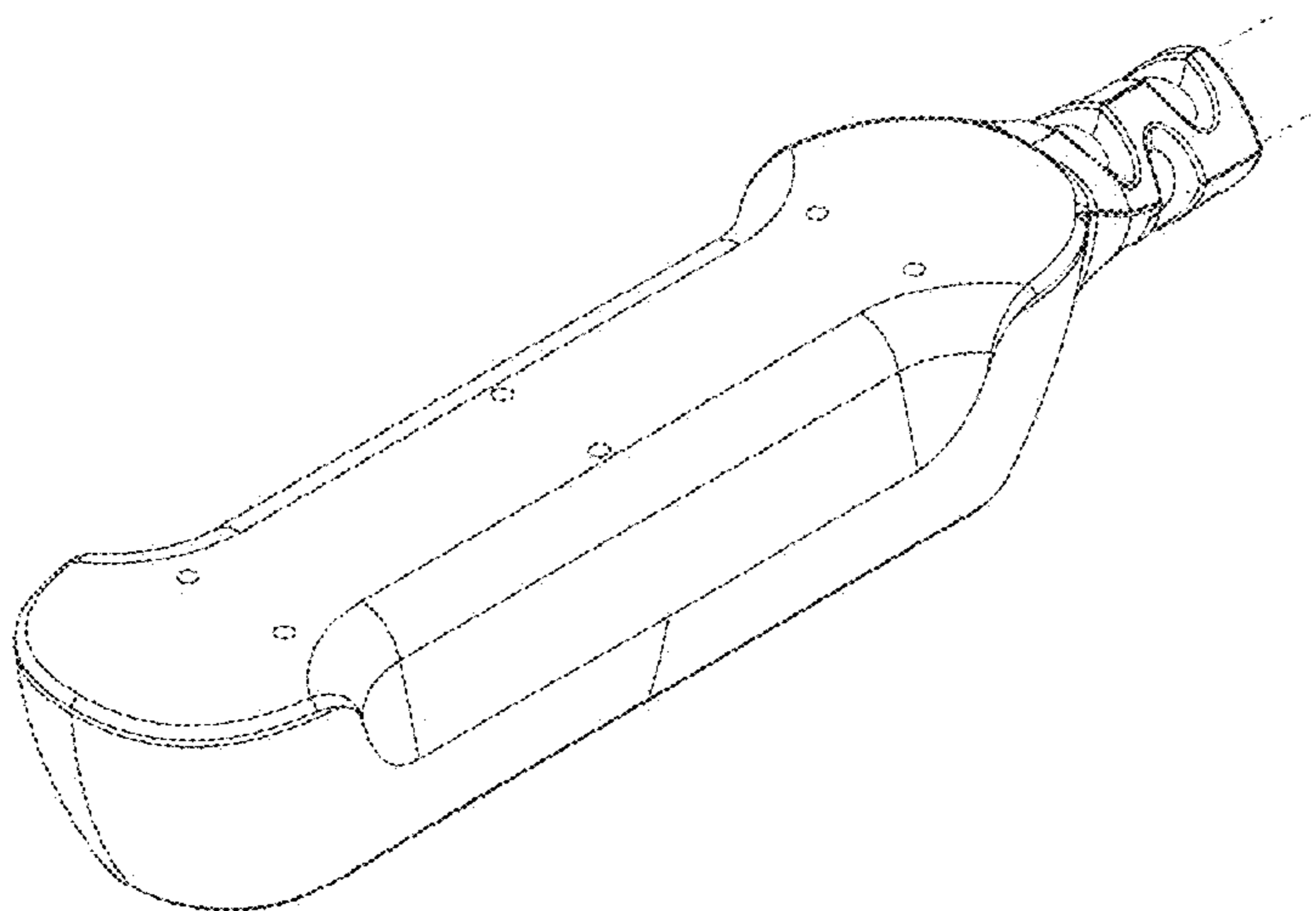


Fig. 13

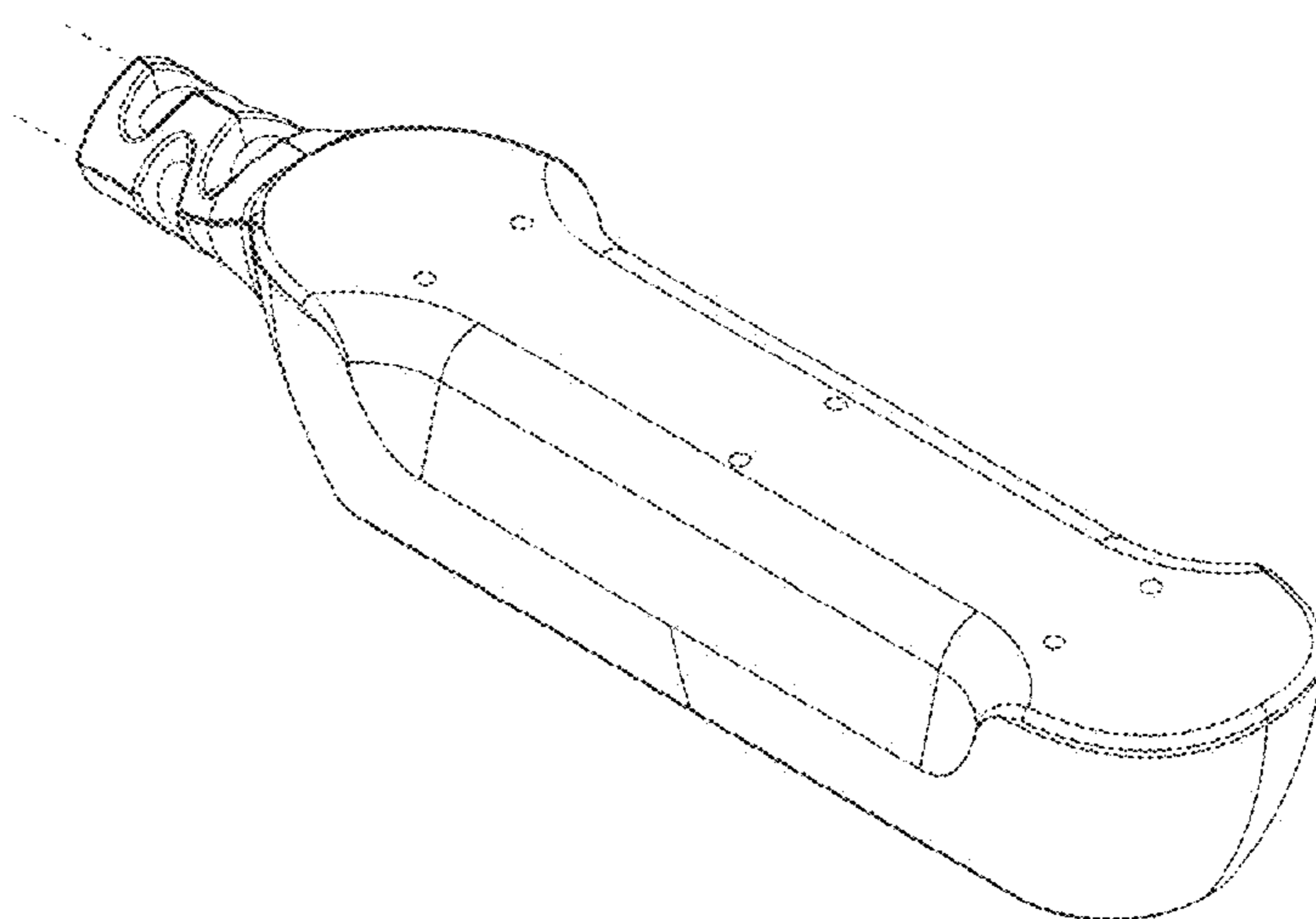


Fig. 14