



US00D812562S

(12) **United States Design Patent**
Warren

(10) **Patent No.:** **US D812,562 S**
(45) **Date of Patent:** **** Mar. 13, 2018**

(54) **CHARGER**

(71) Applicant: **William J. Warren**, Frisco, TX (US)

(72) Inventor: **William J. Warren**, Frisco, TX (US)

(**) Term: **15 Years**

(21) Appl. No.: **29/600,617**

(22) Filed: **Apr. 13, 2017**

(51) **LOC (11) Cl.** **13-02**

(52) **U.S. Cl.**
USPC **D13/107**

(58) **Field of Classification Search**
USPC D13/107, 108, 109, 110, 118, 119, 184,
D13/103; D14/251, 253, 432, 434
CPC Y02E 60/12; Y02T 90/14; Y02T 90/122;
Y02T 90/128; Y02T 90/163; H02J 7/025;
H02J 7/0042; H02J 7/0044; H02J 7/0045;
H02J 7/0003; H02J 2001/008; H02J 3/32;
H02J 3/008; H02J 7/0027; H02J 7/0013;
H02J 7/0054; H02J 7/00; H01F 38/14;
H01R 13/6675; H01M 2/1022; H01M
2/1055; H01M 10/44; H01M 10/46;
H01M 10/425; B60L 11/182; B60L
11/1809; B60L 11/1861; B60R 16/03
See application file for complete search history.

(56) **References Cited**

U.S. PATENT DOCUMENTS

D535,613 S *	1/2007	Varalo	D13/108
D628,537 S *	12/2010	Nagata	D13/147
D700,137 S *	2/2014	Ashida	D13/103
D760,162 S *	6/2016	Park	D13/103
D766,822 S *	9/2016	Esses	D13/107
D783,526 S *	4/2017	Warren	D13/108
2016/0380457 A1 *	12/2016	Criss	H02J 7/0045 320/107

OTHER PUBLICATIONS

9to5mac.com: Apple's USB 3 Lightning to SD Card Camera Reader offers only modest speed benefits, for now. Published Dec. 12, 2015. Retrieved from the internet at <https://9to5mac.com/2015/12/12/review-apple-usb-3-lightning-to-sd-card-camera-reader/>, Jan. 15, 2018. 2 pages.*

Amazon.com: Credlander Lightning 8pin to USB Female OTG Adapter Cable Connect Kit. Published Jul. 5, 2016. Retrieved from the internet at <https://www.amazon.com/Credlander-Lightning-Female-Adapter-Connect/dp/B01FFSK3WQ/>, Jan. 15, 2018. 1 page.*

* cited by examiner

Primary Examiner — Rosemary K Tarcza
Assistant Examiner — Christy Nemeth

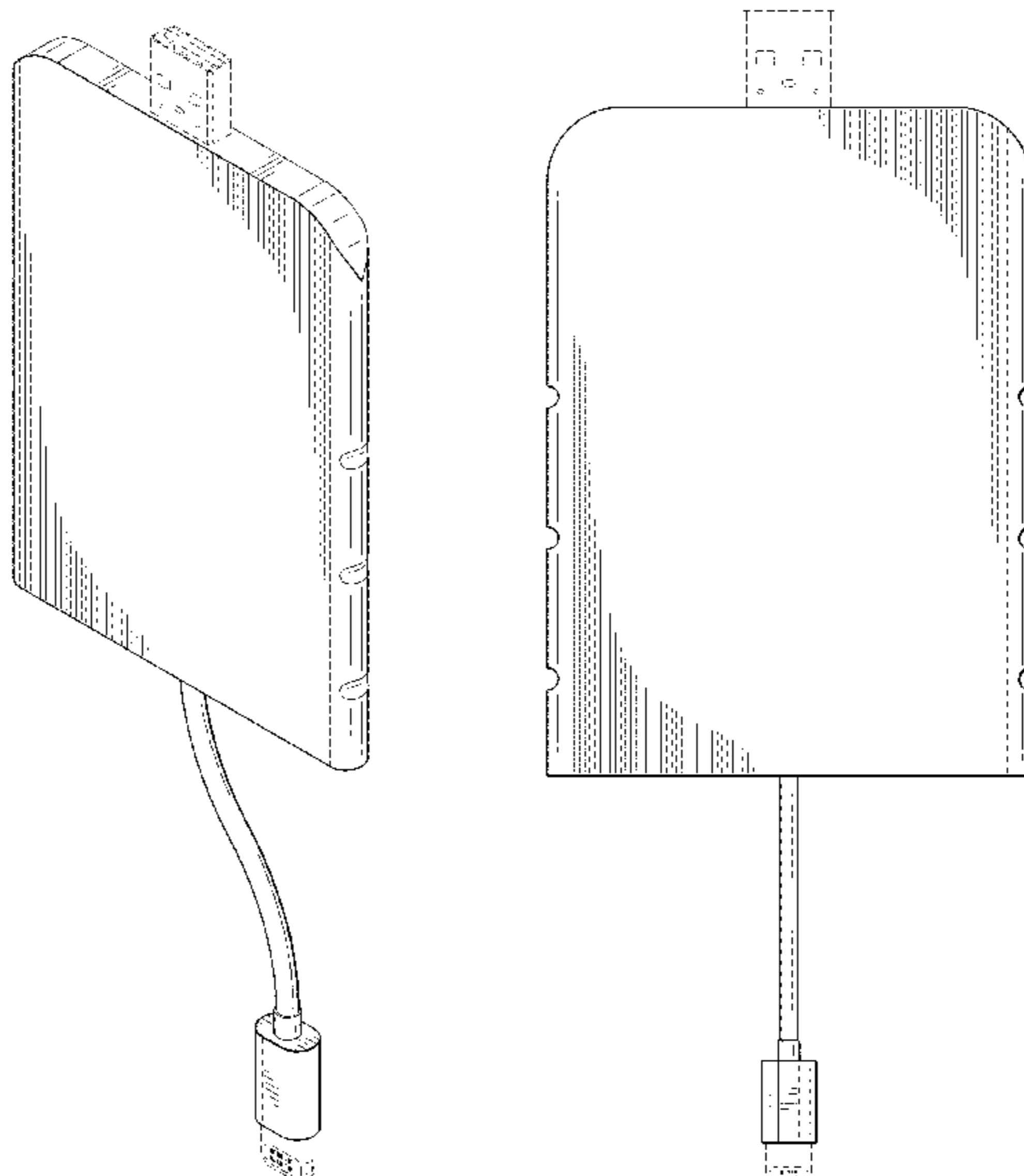
(57) **CLAIM**

The ornamental design for a charger, as shown and described.

DESCRIPTION

FIG. 1 is a front perspective view of a charger of my new design;
FIG. 2 is a front elevation view thereof;
FIG. 3 is a rear elevation view thereof;
FIG. 4 is a right side elevation view thereof;
FIG. 5 is a left side elevation view thereof;
FIG. 6 is a top plan view thereof;
FIG. 7 is a bottom plan view thereof;
FIG. 8 is a rear perspective view thereof;
FIG. 9 is a perspective view of the charger in a state of use; and,
FIG. 10 is another perspective view of the charger in a state of use.
The broken lines in the drawings are for the purpose of illustrating portions of the charger that form no part of the claimed design.

1 Claim, 8 Drawing Sheets



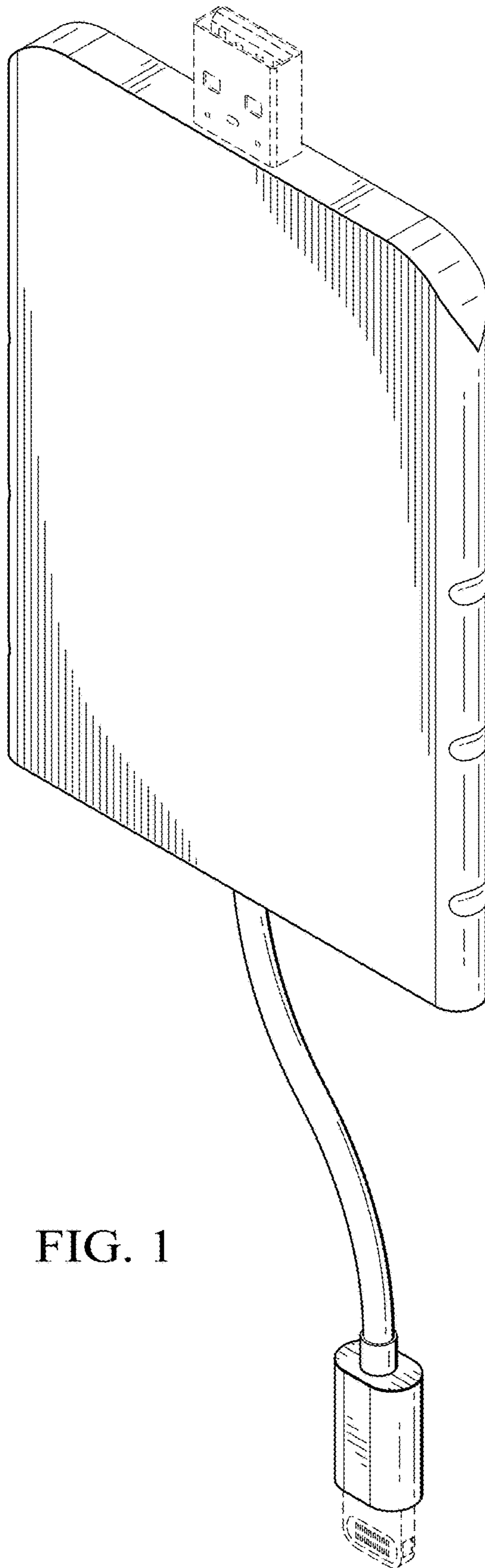


FIG. 1

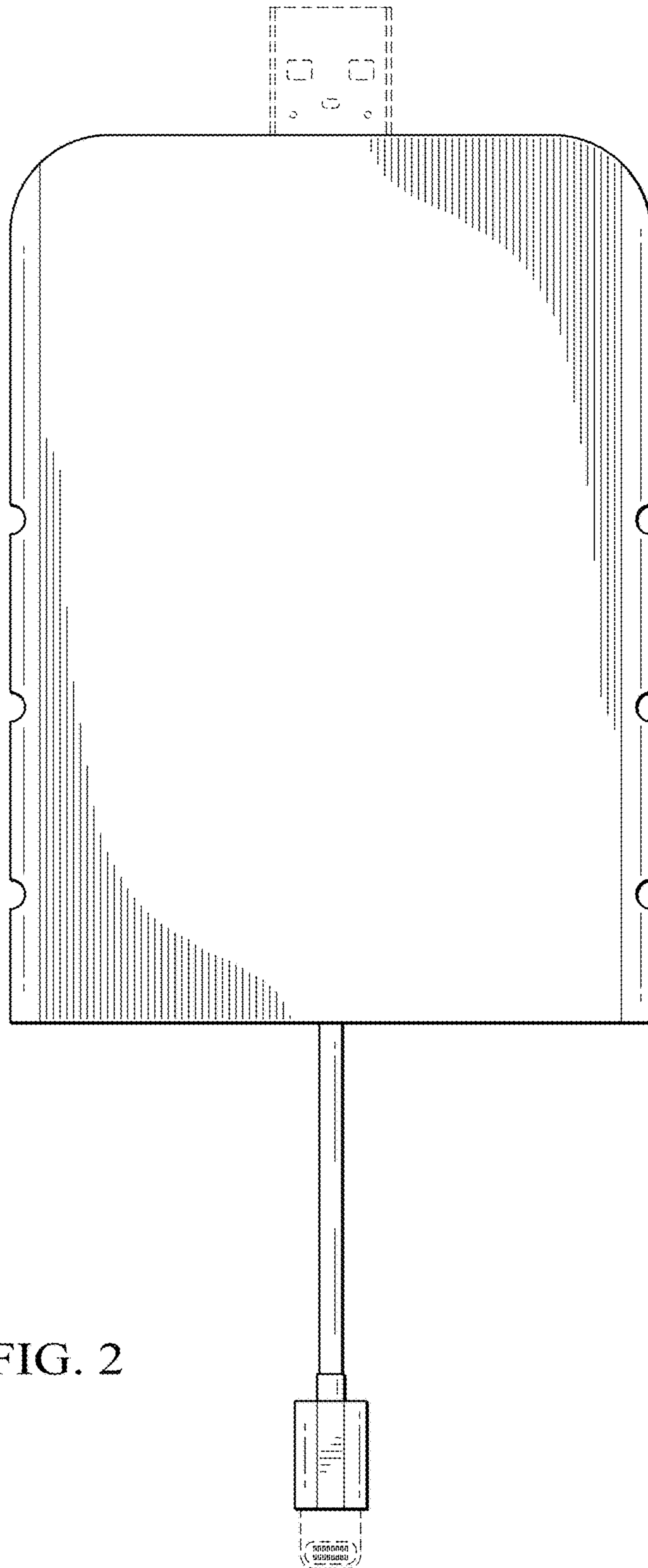


FIG. 2

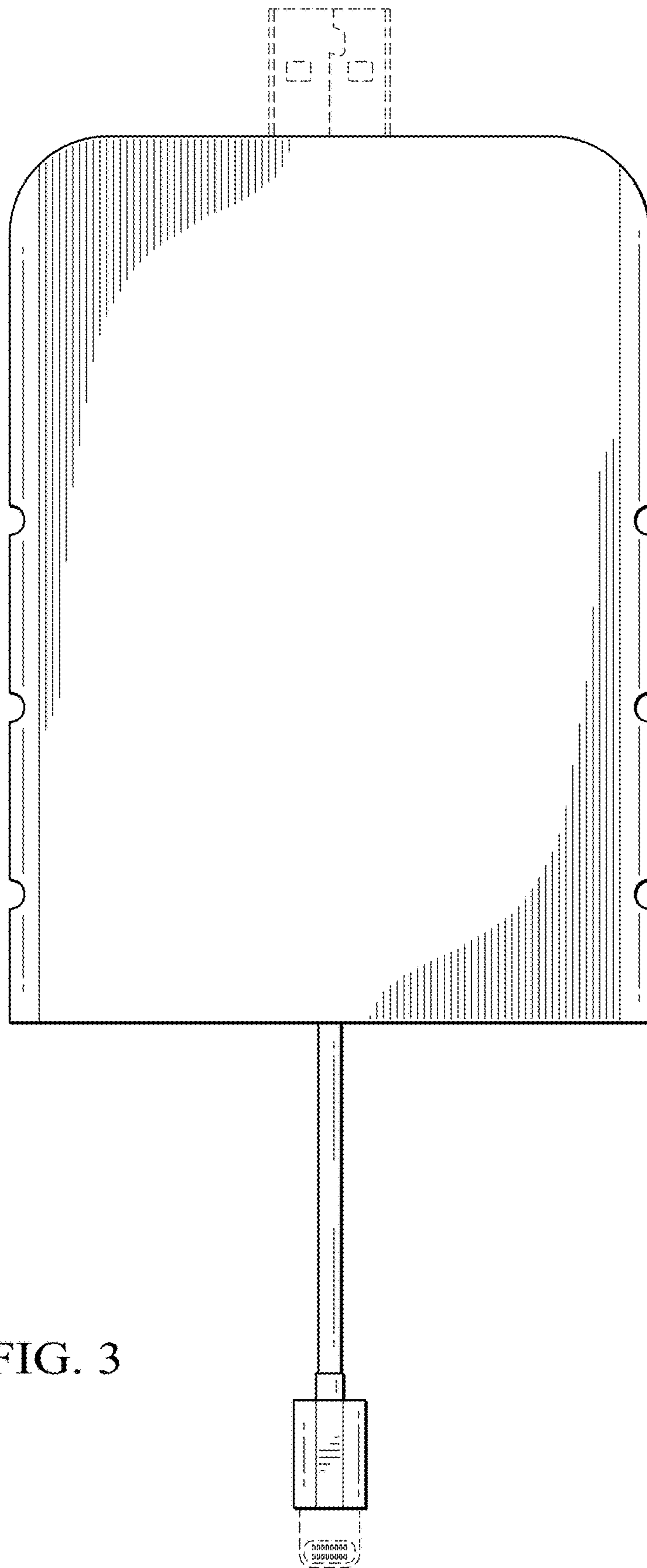


FIG. 3

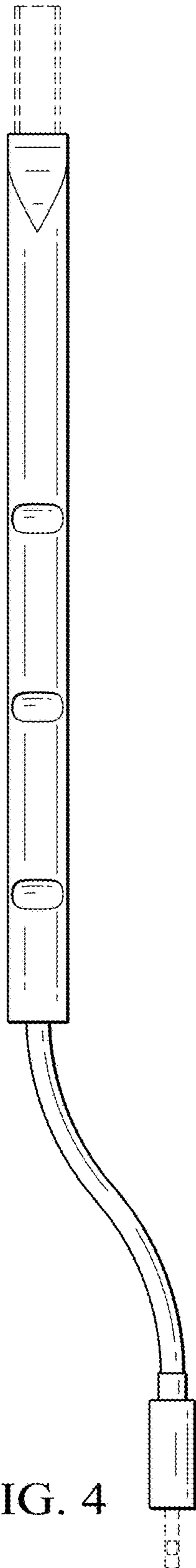


FIG. 4

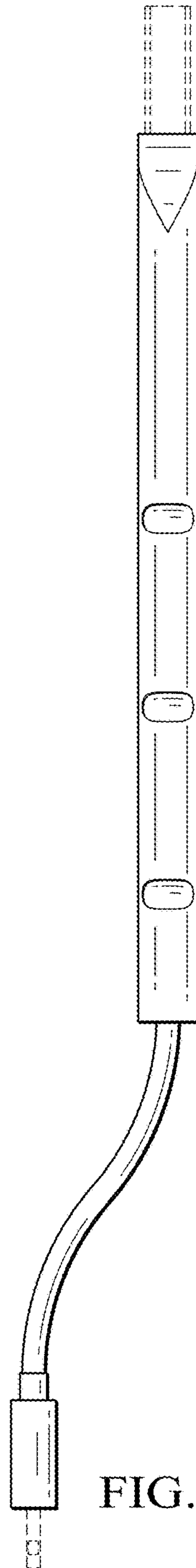


FIG. 5

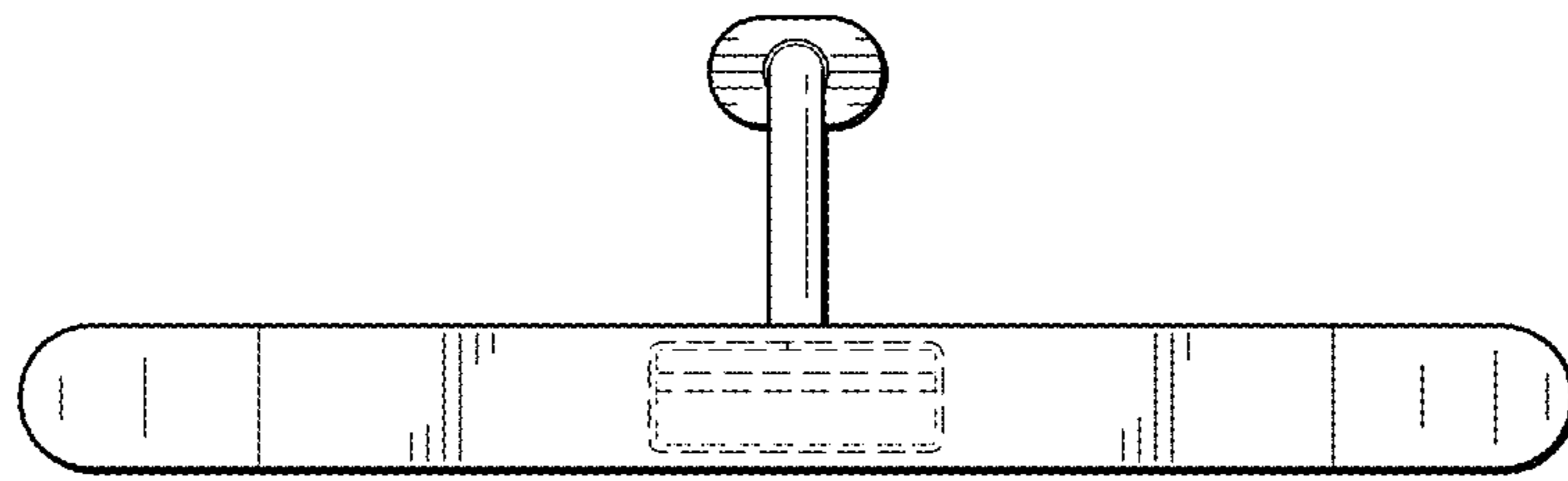


FIG. 6

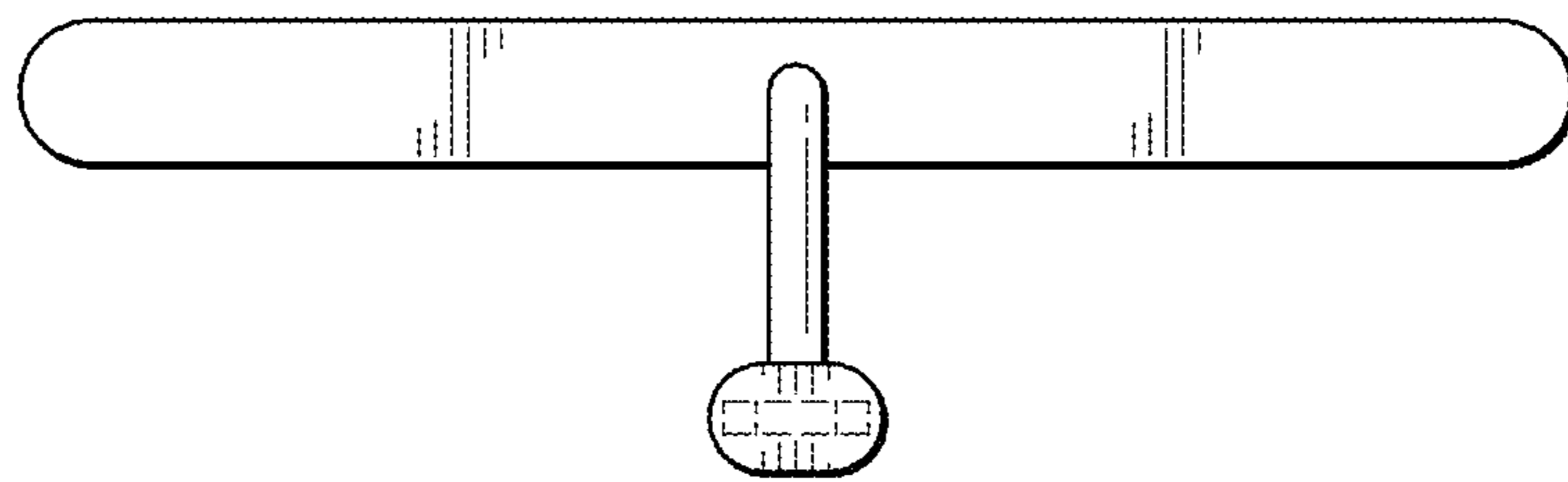


FIG. 7

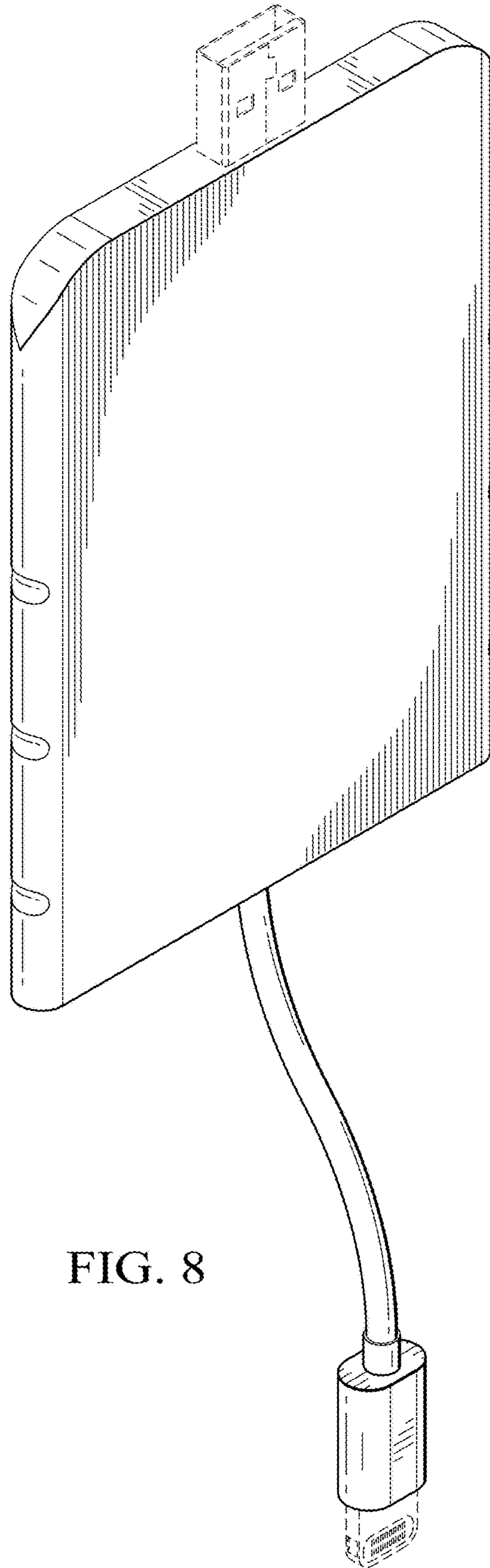


FIG. 8

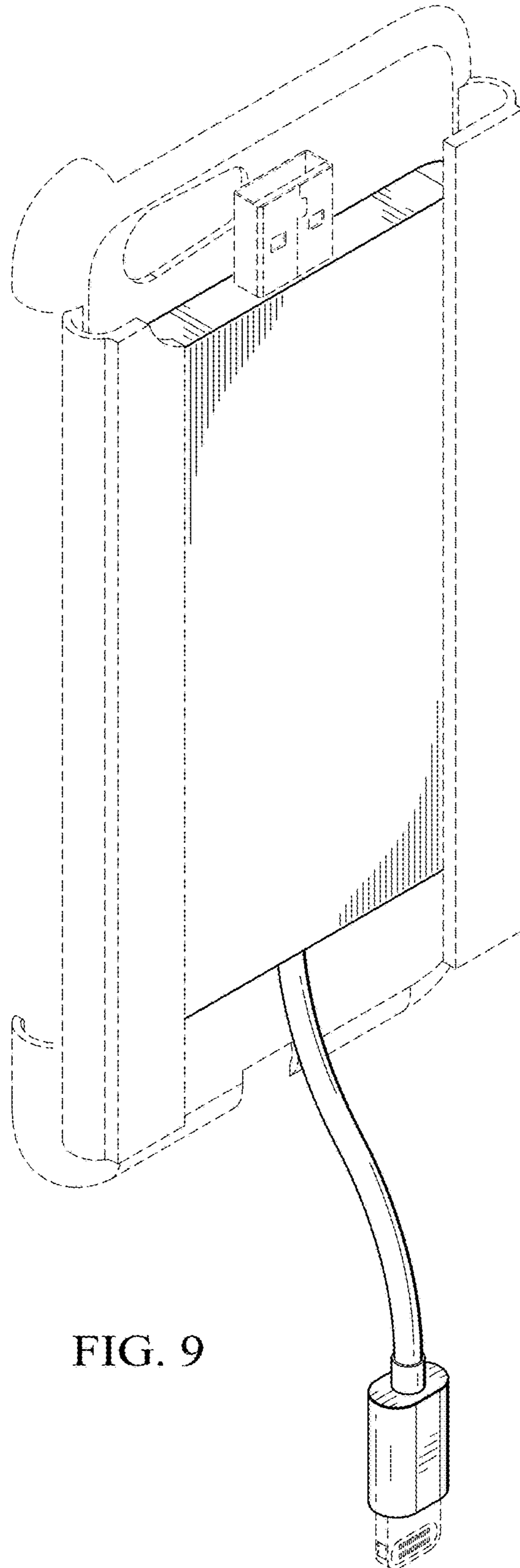


FIG. 9

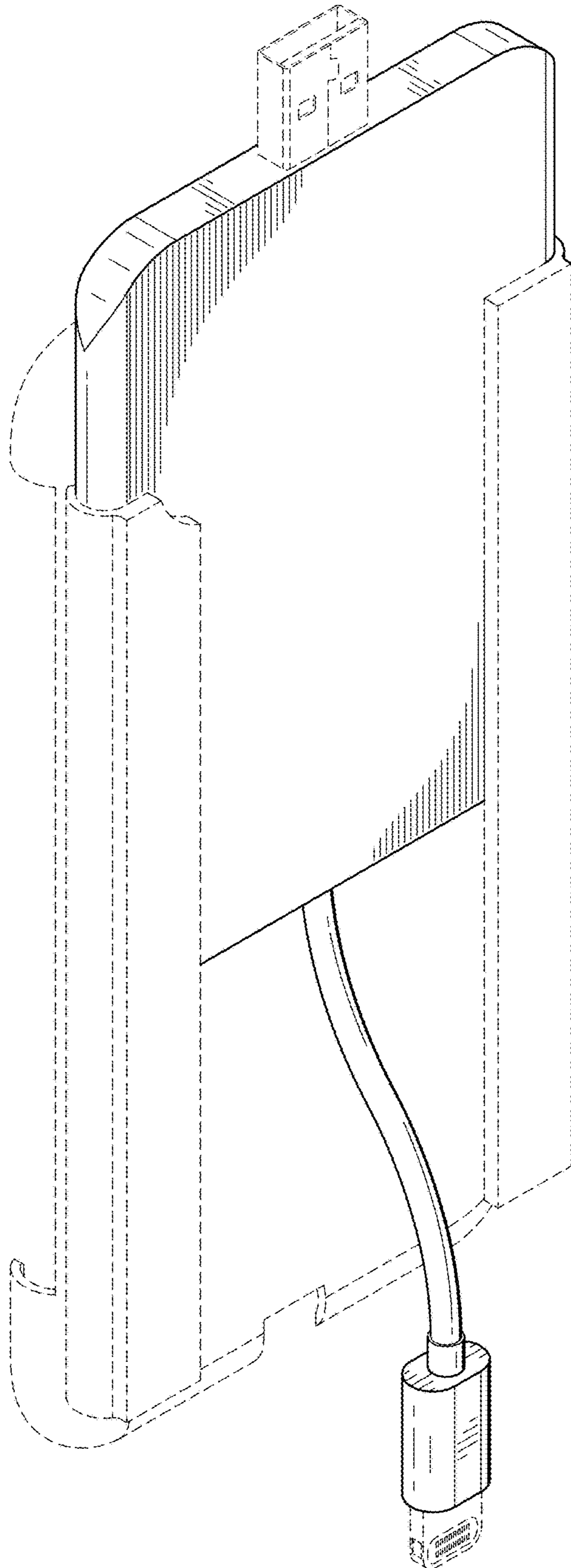


FIG. 10