



US00D812561S

(12) **United States Design Patent**
Inskeep

(10) **Patent No.:** **US D812,561 S**
(45) **Date of Patent:** **** Mar. 13, 2018**

(54) **BATTERY CHARGER**

(71) Applicant: **Mathew Inskeep**, Highland Beach, FL
(US)

(72) Inventor: **Mathew Inskeep**, Highland Beach, FL
(US)

(**) Term: **15 Years**

(21) Appl. No.: **29/588,833**

(22) Filed: **Dec. 23, 2016**

(51) **LOC (11) Cl.** **13-02**

(52) **U.S. Cl.**

USPC **D13/107**; D15/9

(58) **Field of Classification Search**

USPC D13/102-108, 110, 118-119, 184, 199;

D14/251, 253, 432, 434; D15/9

CPC Y02E 60/12; Y02E 60/122; Y02E 60/124;

Y02E 60/50; H01M 2/02; H01M 2/022;

H01M 2/0202; H01M 2/0207; H01M

2/0212; H01M 2/1061; H01M 2/1022;

H01M 2/1055; H01M 2/1066; H01M

2/105; H01M 2/204; H01M 10/4257;

H01M 10/0436; H01M 10/48; H02J

7/0034; H02J 7/0054; H02J 7/1423; H02J

2001/006

See application file for complete search history.

(56) **References Cited**

U.S. PATENT DOCUMENTS

D601,495 S * 10/2009 Shum D13/107

D609,633 S * 2/2010 Daniels D13/107

D653,204 S * 1/2012 Whiting D13/107
D664,090 S * 7/2012 Inskeep D13/107
D734,719 S * 7/2015 Johnson D13/109
D742,308 S * 11/2015 James D13/107
D754,755 S * 4/2016 Suthmann D15/9
D802,530 S * 11/2017 Adams D13/109
2009/0322100 A1* 12/2009 Hiranuma F02B 63/04
290/1 R
2017/0117726 A1* 4/2017 Jore H02J 7/0027

* cited by examiner

Primary Examiner — Robert M. Spear
Assistant Examiner — Alison M Ofstun

(57) **CLAIM**

I claim the ornamental design for a battery charger, as shown and described.

DESCRIPTION

FIG. 1 is a perspective view of the battery charger showing my new design.

FIG. 2 is a back facing, bottom perspective view thereof.

FIG. 3 is a back view thereof with the charging clamps exposed and plug exposed.

FIG. 4 is a front facing, top view thereof.

FIG. 5 is a back facing, top view thereof.

FIG. 6 is a left side view thereof.

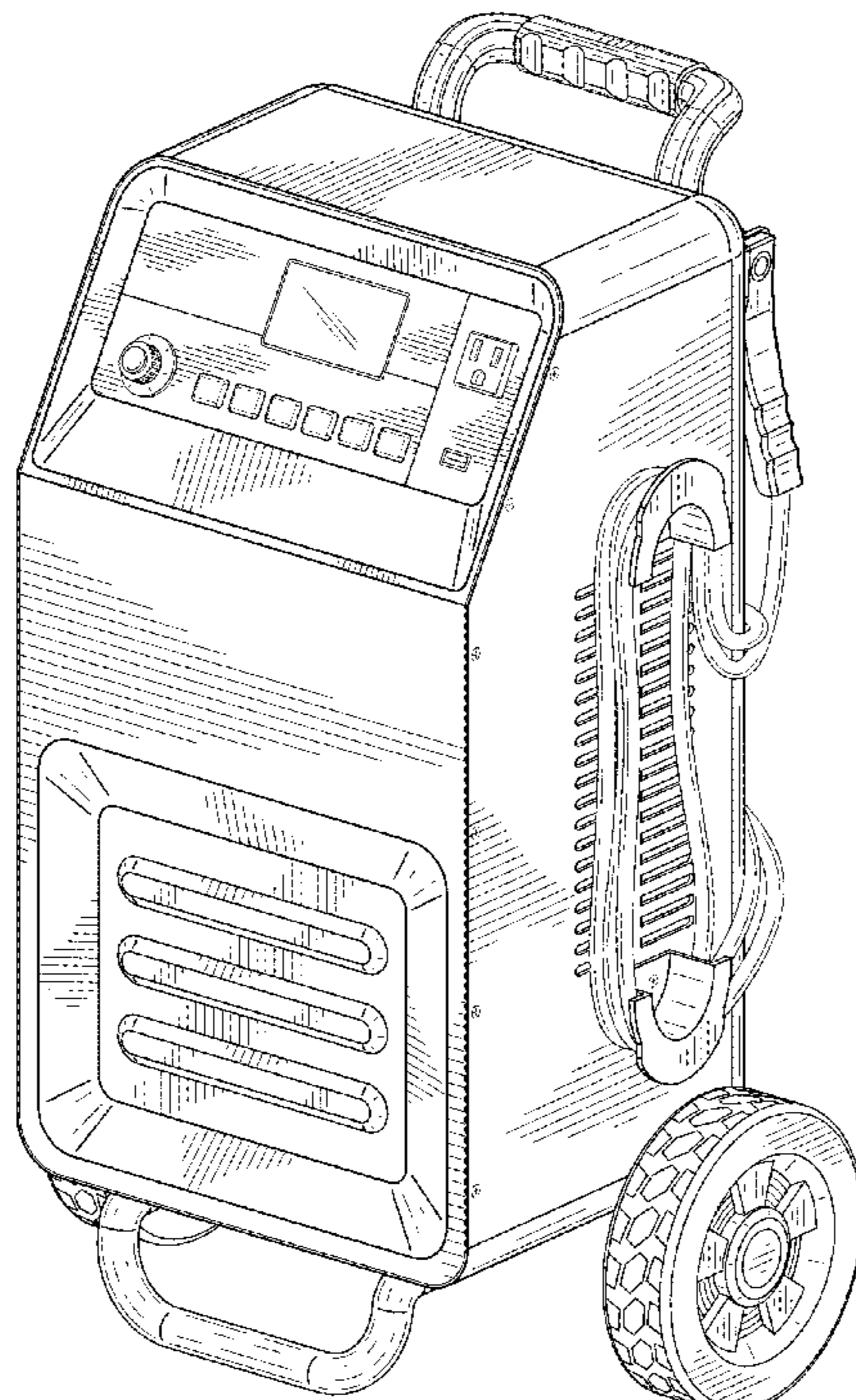
FIG. 7 is a right side view thereof.

FIG. 8 is a front view thereof; and,

FIG. 9 is a back view thereof.

In the drawings, the broken lines depict environmental subject matter and form no part of the claimed design.

1 Claim, 8 Drawing Sheets



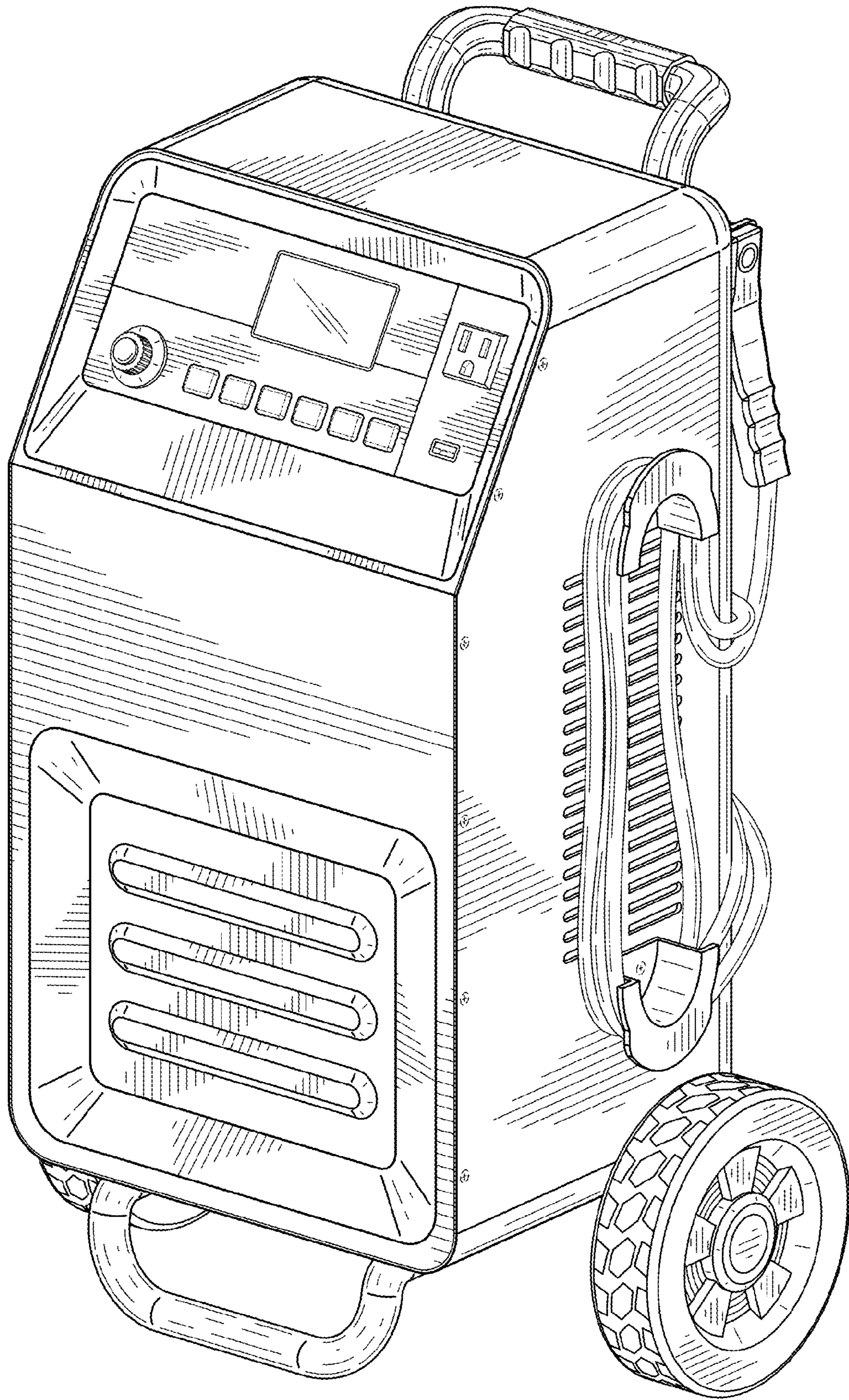


FIG. 1

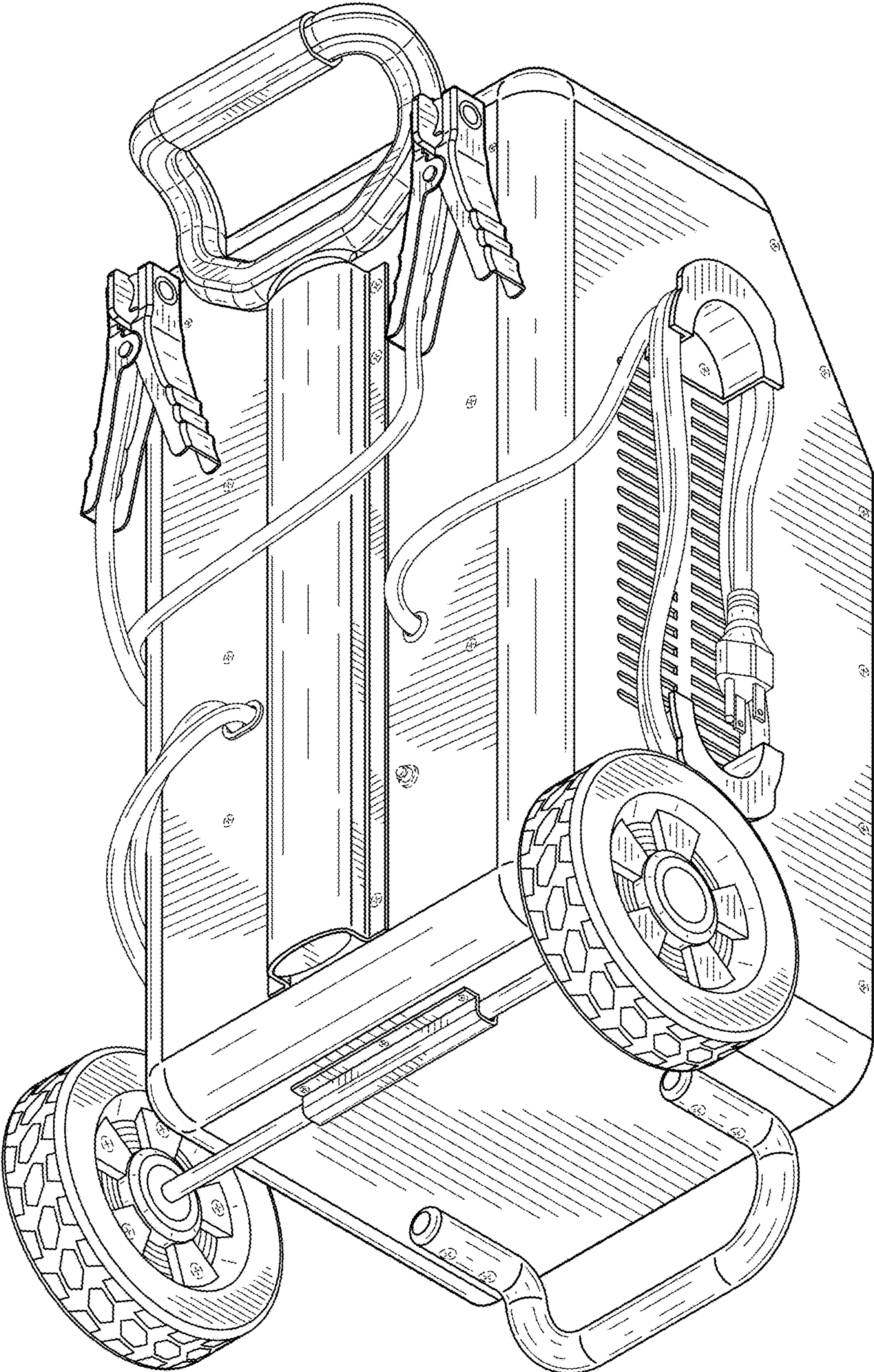


FIG. 2

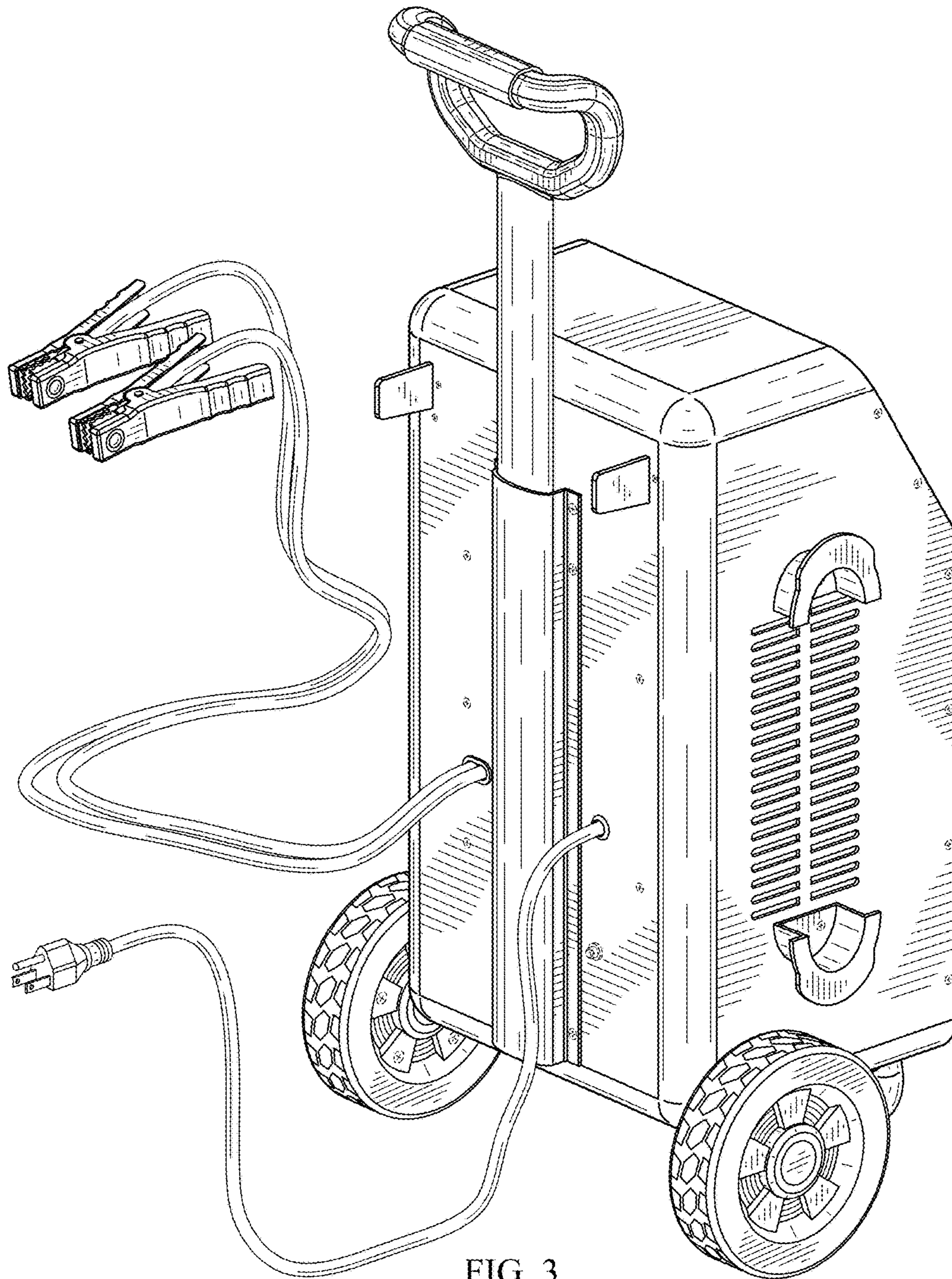


FIG. 3

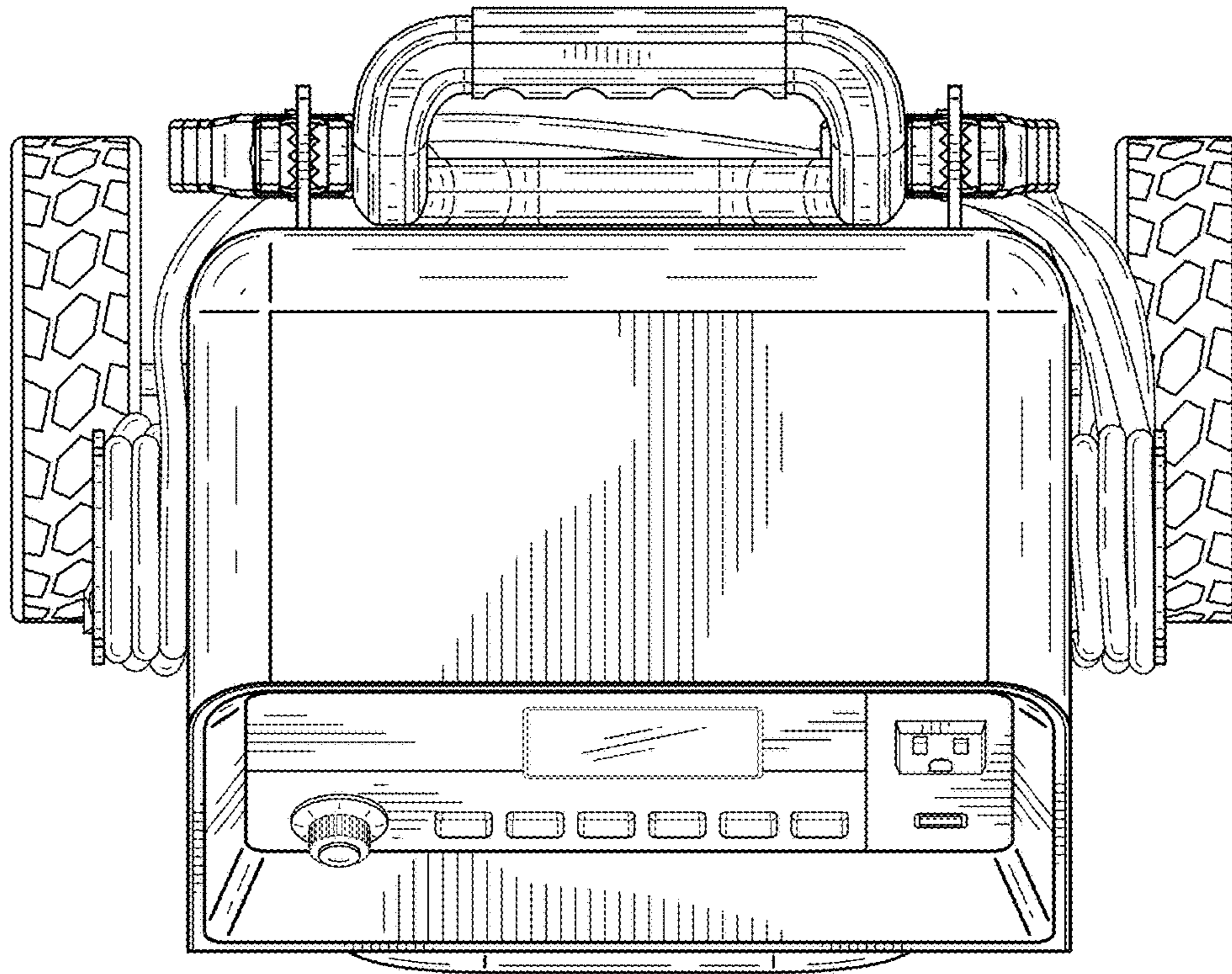


FIG. 4

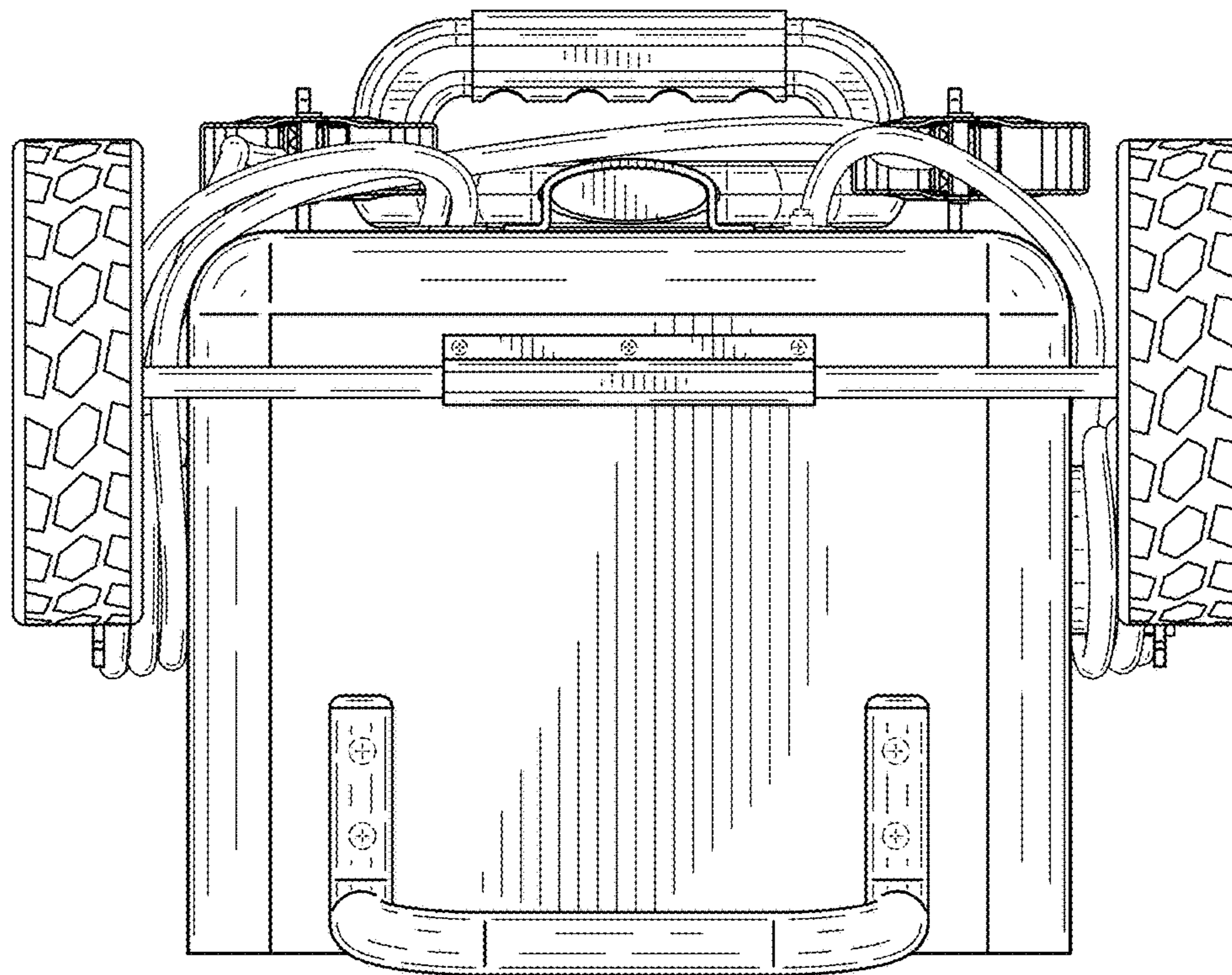


FIG. 5

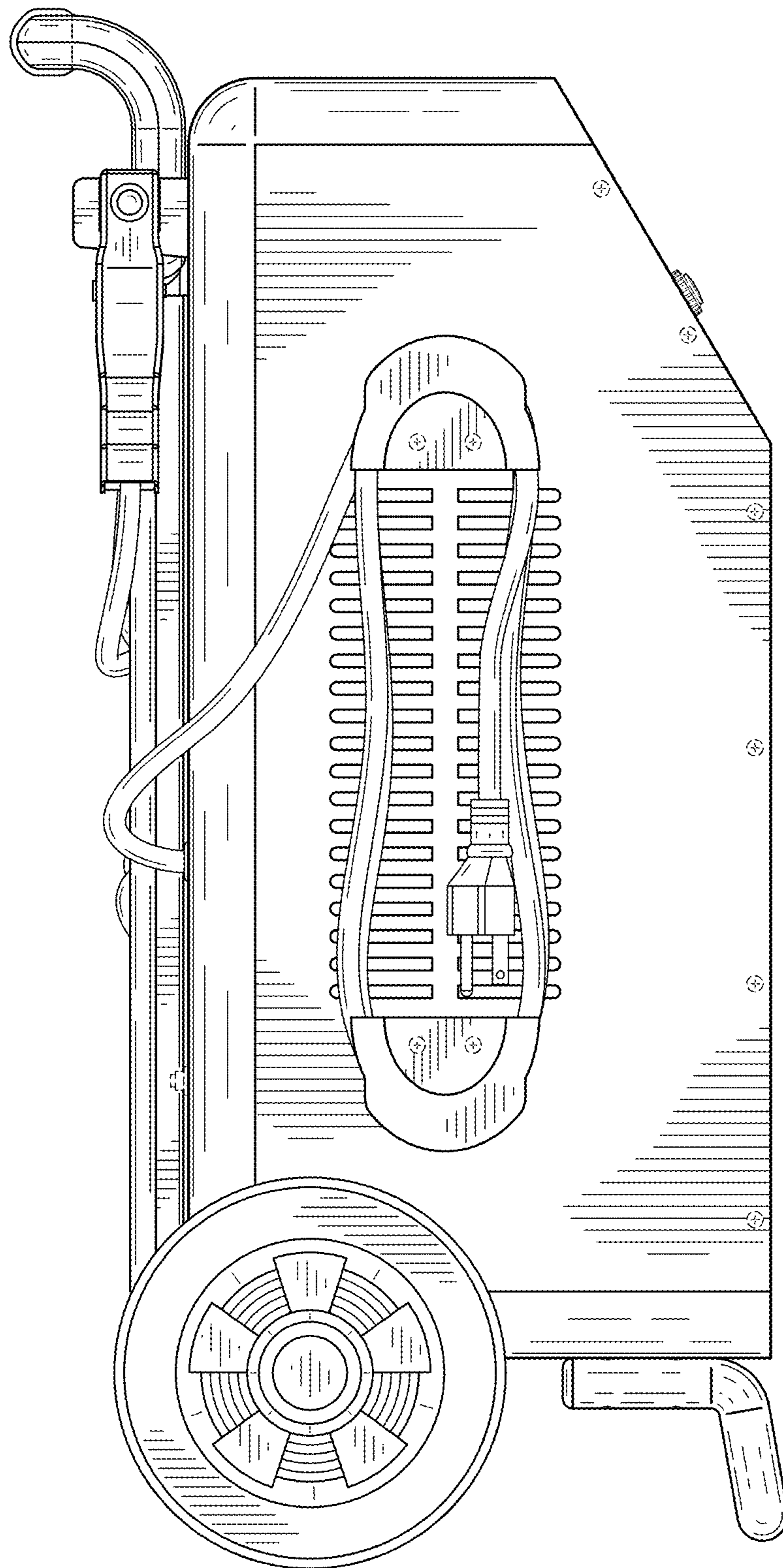


FIG. 6

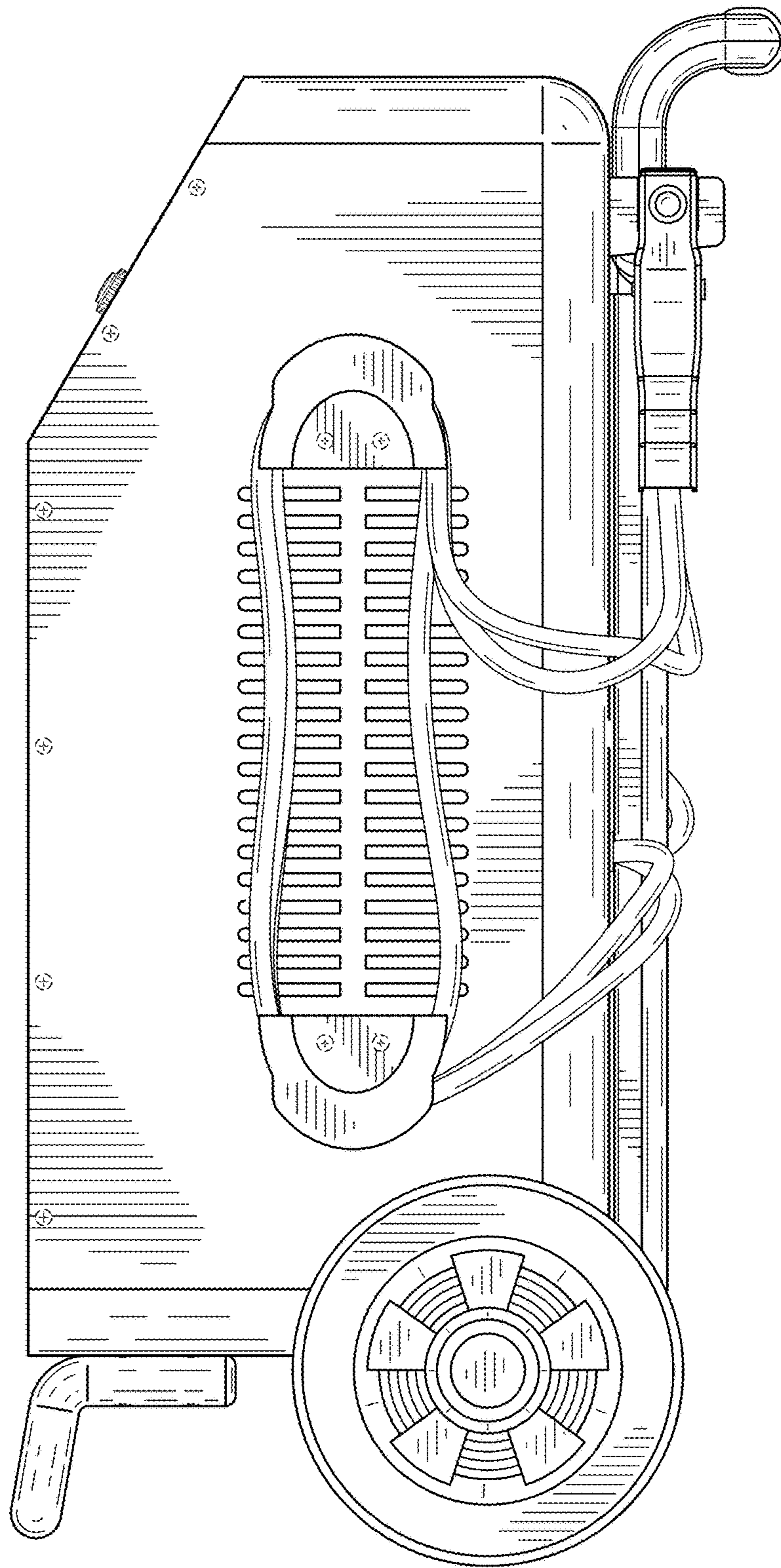


FIG. 7

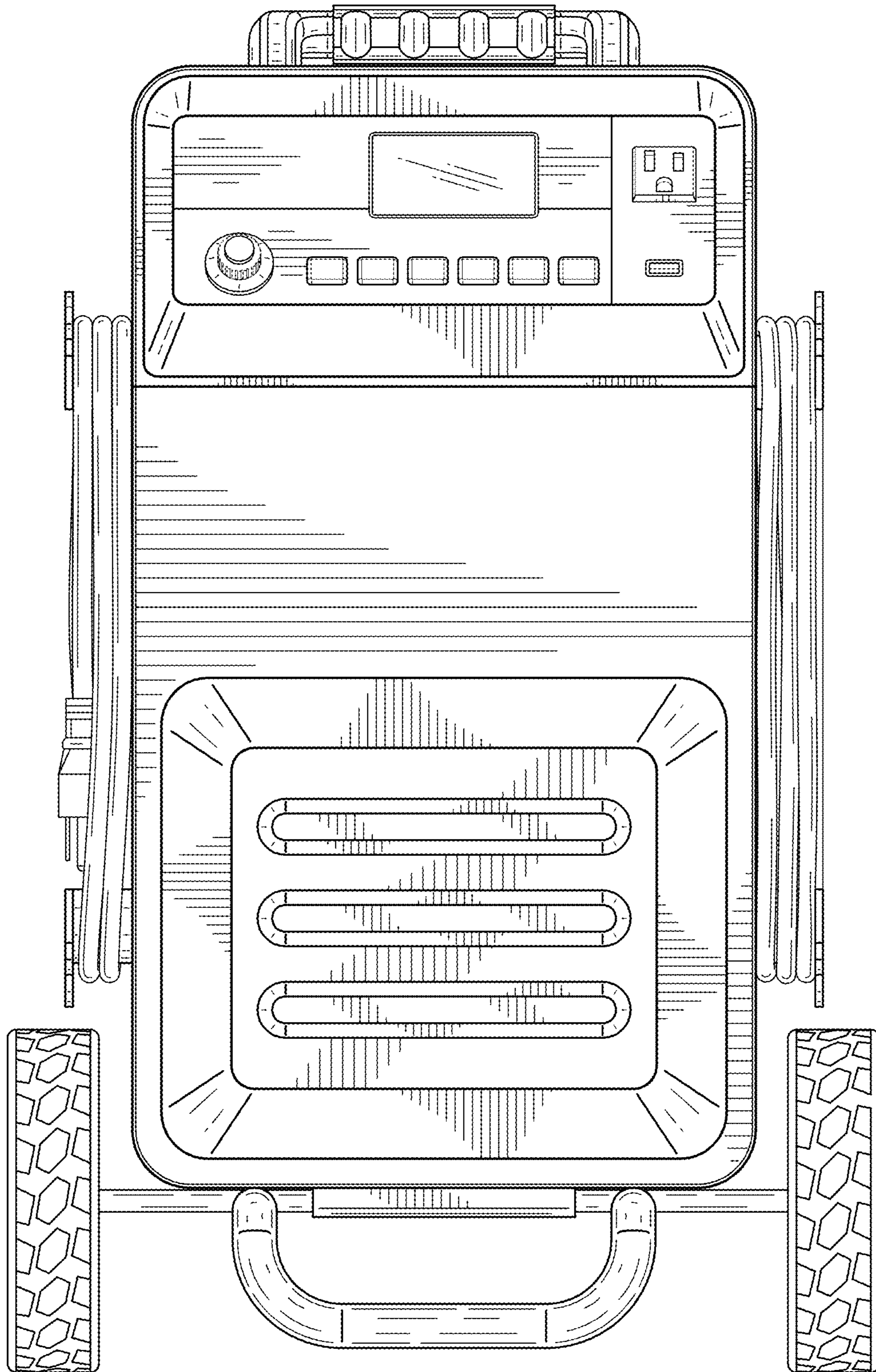


FIG. 8

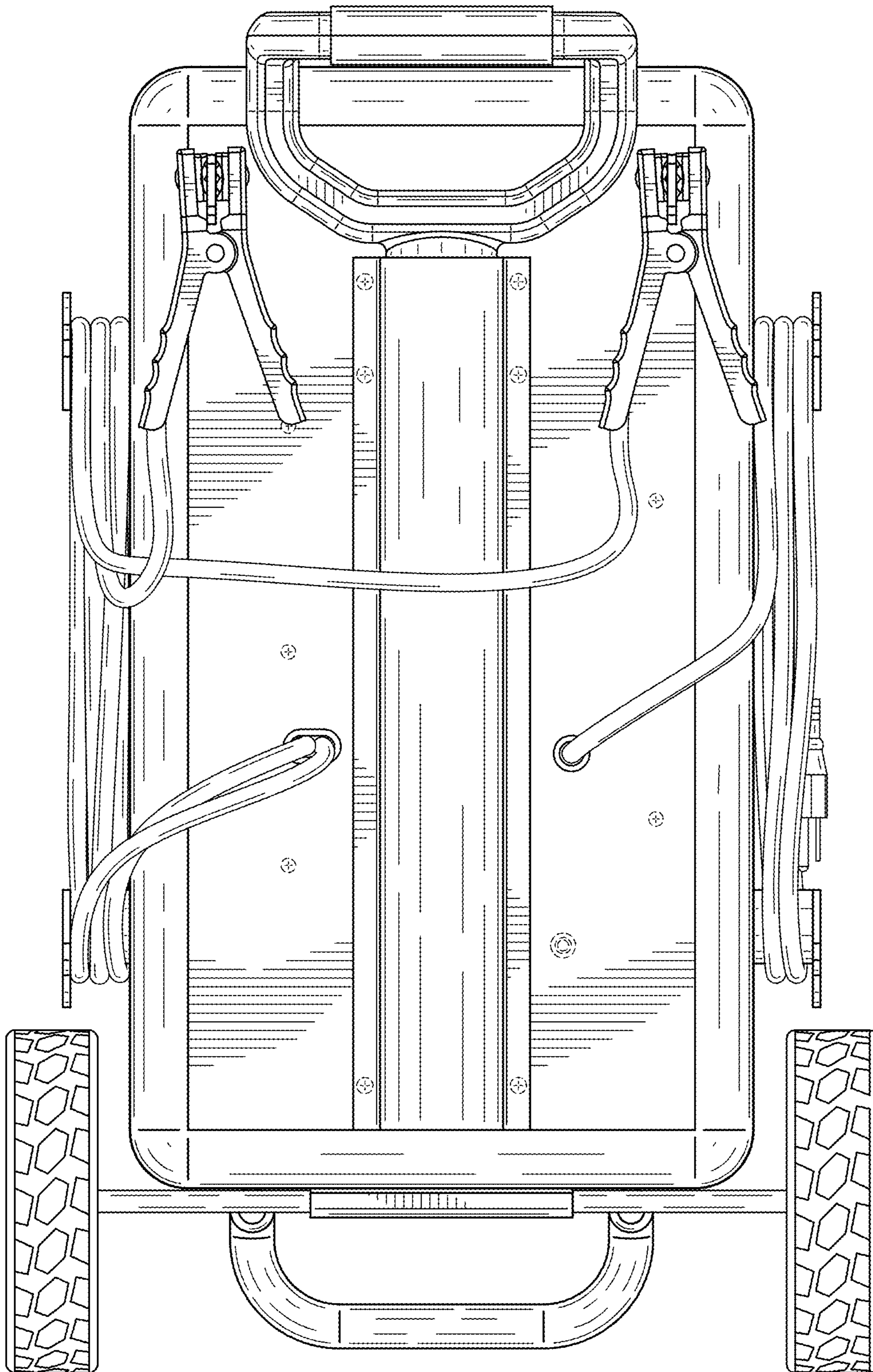


FIG. 9