



US00D812560S

(12) **United States Design Patent**
Xu

(10) **Patent No.:** **US D812,560 S**
(45) **Date of Patent:** **** Mar. 13, 2018**

(54) **CHARGER**

(71) Applicant: **Guangdong BESTEK E-commerce Co., Ltd.**, Shenzhen (CN)

(72) Inventor: **Xinhua Xu**, Shenzhen (CN)

(73) Assignee: **GUANGDONG BESTEK E-COMMERCE CO., LTD.**, Shenzhen (CN)

(**) Term: **15 Years**

(21) Appl. No.: **29/584,747**

(22) Filed: **Nov. 16, 2016**

(51) **LOC (11) Cl.** **13-02**

(52) **U.S. Cl.**
USPC **D13/107**

(58) **Field of Classification Search**
USPC D13/107-110, 118-119, 184; D14/251, D14/253, 432, 434
CPC Y02E 60/12; Y02T 90/14; Y02T 90/122; Y02T 90/128; Y02T 90/163; H02J 7/025; H02J 7/0042; H02J 7/0044; H02J 7/0045; H02J 7/0003; H01F 38/14; H01R 13/6675; H01M 2/1022; H01M 2/1055; H01M 10/44; H01M 10/46; H01M 10/425; B60L 11/182
See application file for complete search history.

(56) **References Cited**

U.S. PATENT DOCUMENTS

D520,519 S * 5/2006 Chin D14/203.3
D578,961 S * 10/2008 Fisher D13/108
D590,827 S * 4/2009 Song D14/356

D601,583 S * 10/2009 Andre D14/496
D613,283 S * 4/2010 Andre D14/314
D618,232 S * 6/2010 O'Neil D14/314
D648,689 S * 11/2011 Mehlsen D14/125
D651,993 S * 1/2012 Cheng D14/125
D662,491 S * 6/2012 Andre D13/108
D705,160 S * 5/2014 Ormesher D13/108
D723,459 S * 3/2015 Dang D13/108
D727,259 S * 4/2015 Hwang D13/108
D740,262 S * 10/2015 Hasegawa D14/240
D760,647 S * 7/2016 Chen D13/103
D769,234 S * 10/2016 Rami D14/253
D777,724 S * 1/2017 Sterzick D14/348
D782,977 S * 4/2017 Zhang D13/108
D785,608 S * 5/2017 Weaver D14/240
D797,099 S * 9/2017 Wieser D14/300
D799,479 S * 10/2017 Wieser D14/358

* cited by examiner

Primary Examiner — Rosemary K Tarcza
Assistant Examiner — Nathaniel D. Buckner

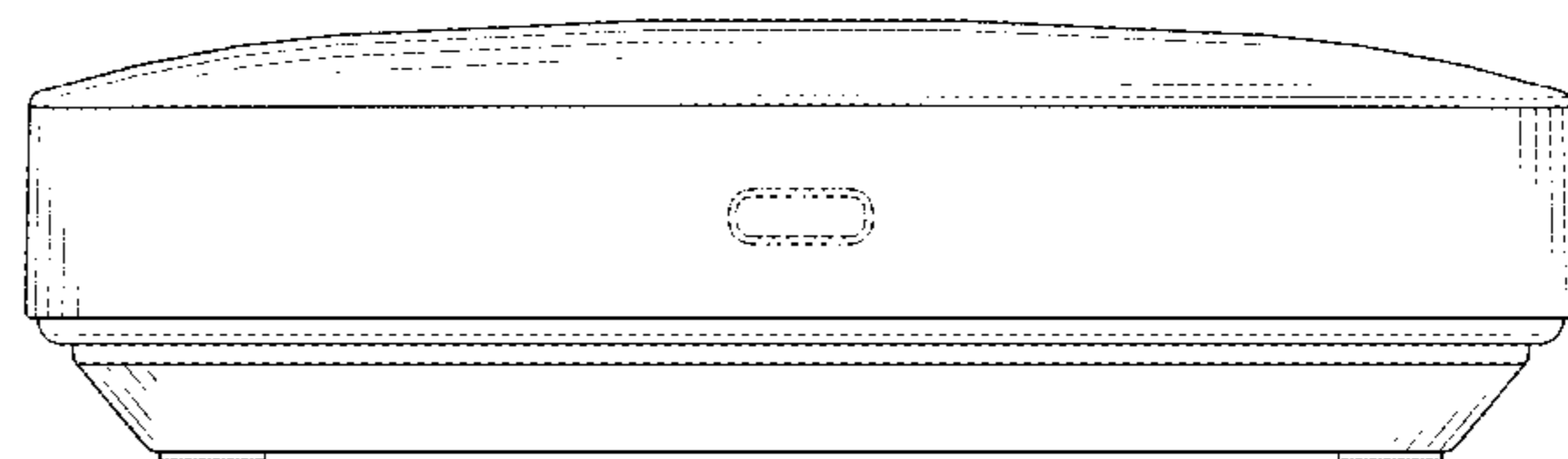
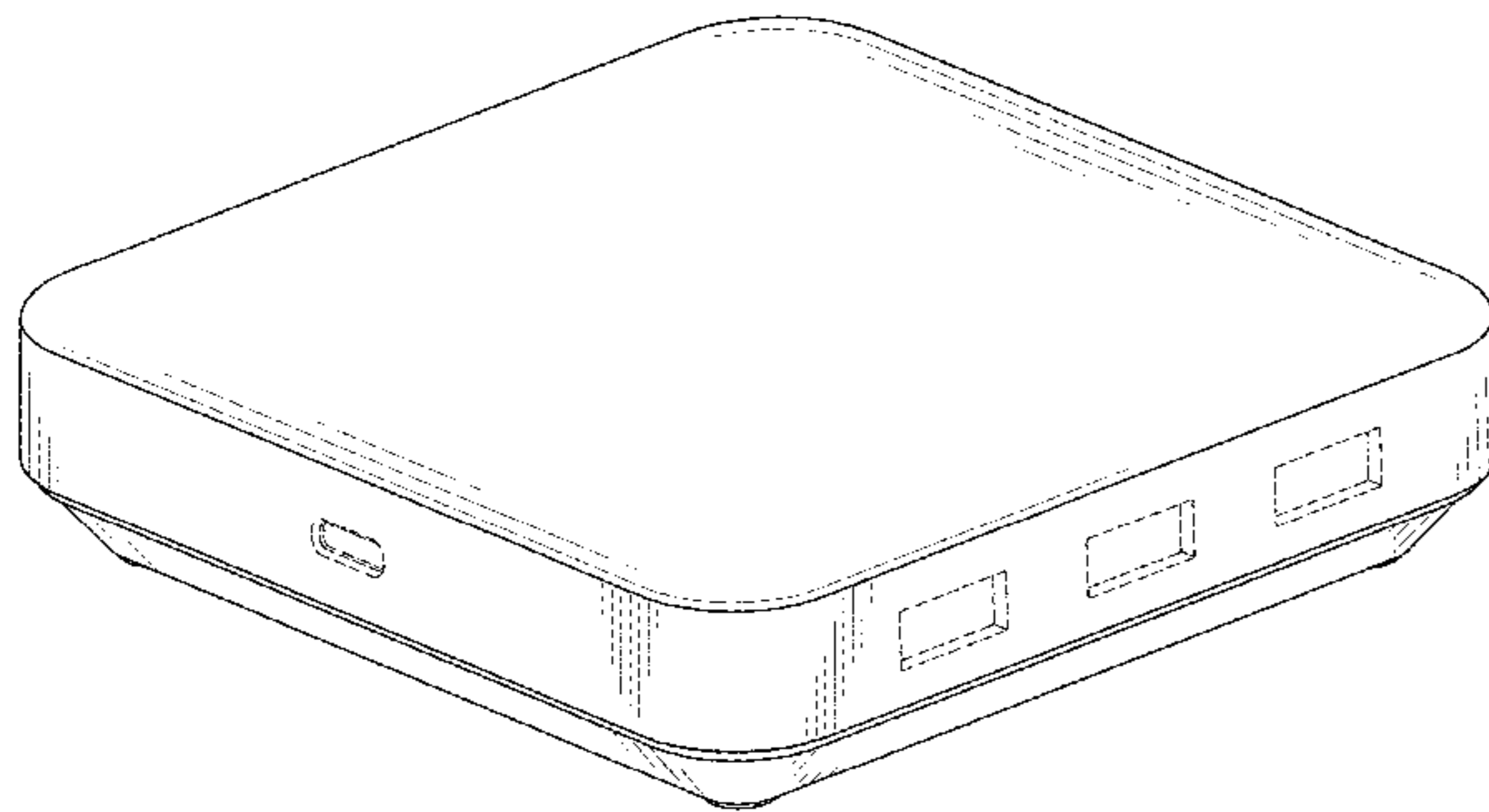
(57) **CLAIM**

The ornamental design for a charger, as shown and described.

DESCRIPTION

FIG. 1 is a perspective view of a charger showing my new design;
FIG. 2 is a front elevational view thereof;
FIG. 3 is a rear elevational view thereof;
FIG. 4 is a left side elevational view thereof;
FIG. 5 is a right side elevational view thereof;
FIG. 6 is a top plan view thereof; and,
FIG. 7 is a bottom plan view thereof.
The broken lines in the figures represent portions of the article which form no part of the claim.

1 Claim, 7 Drawing Sheets



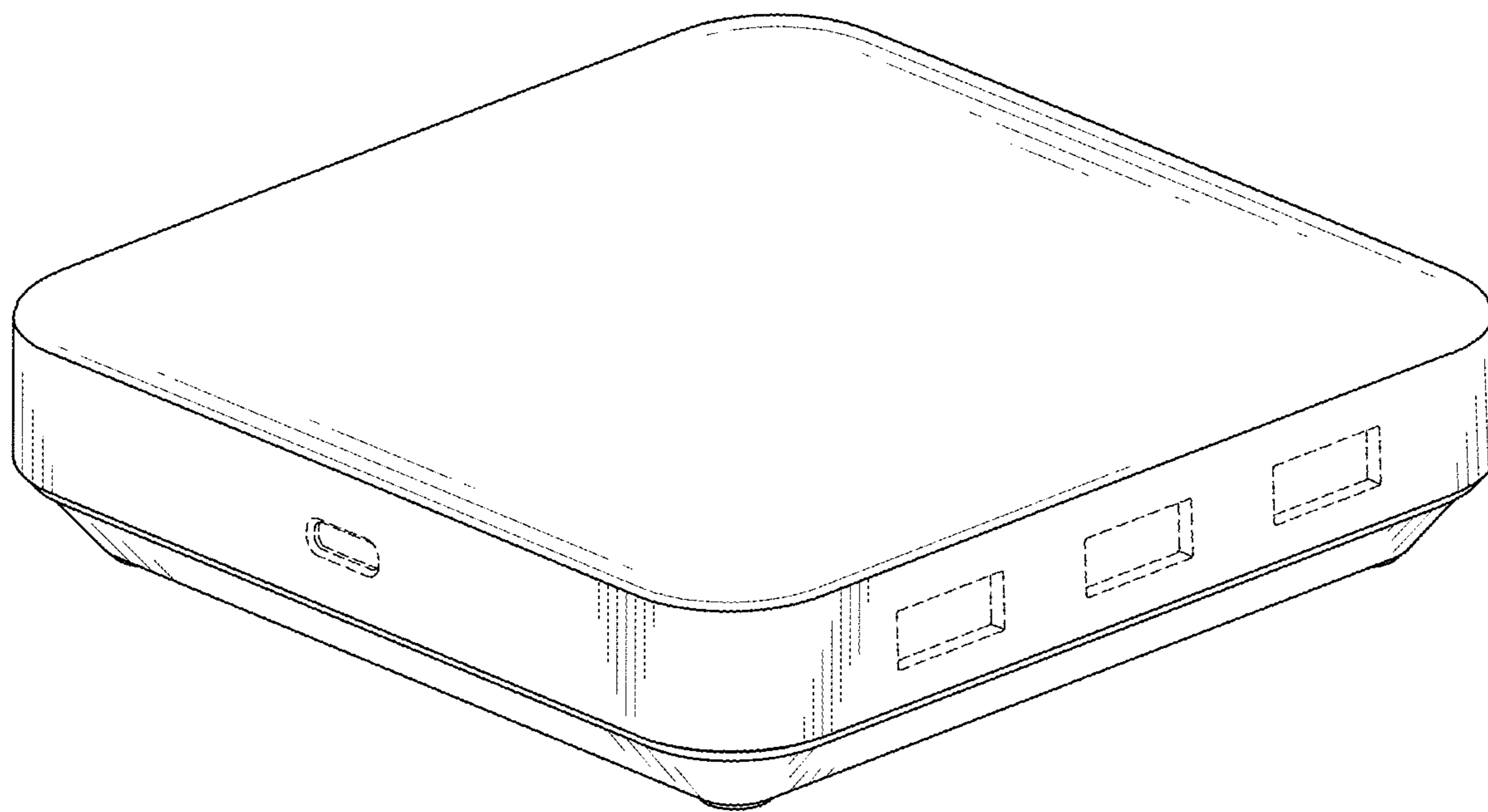


FIG. 1

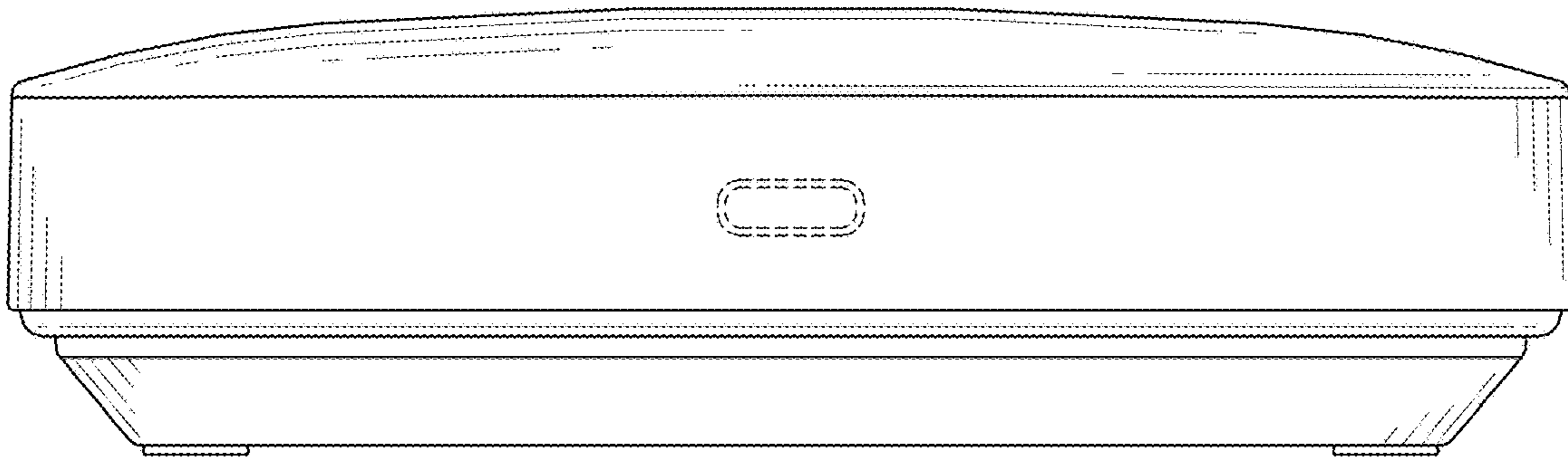


FIG. 2

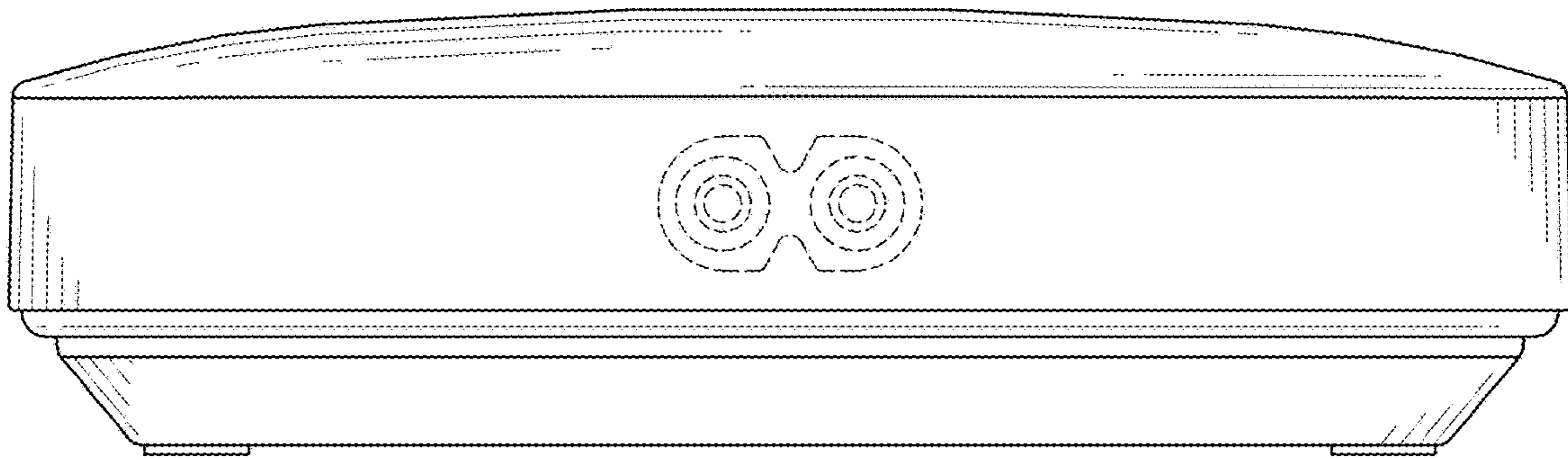


FIG. 3

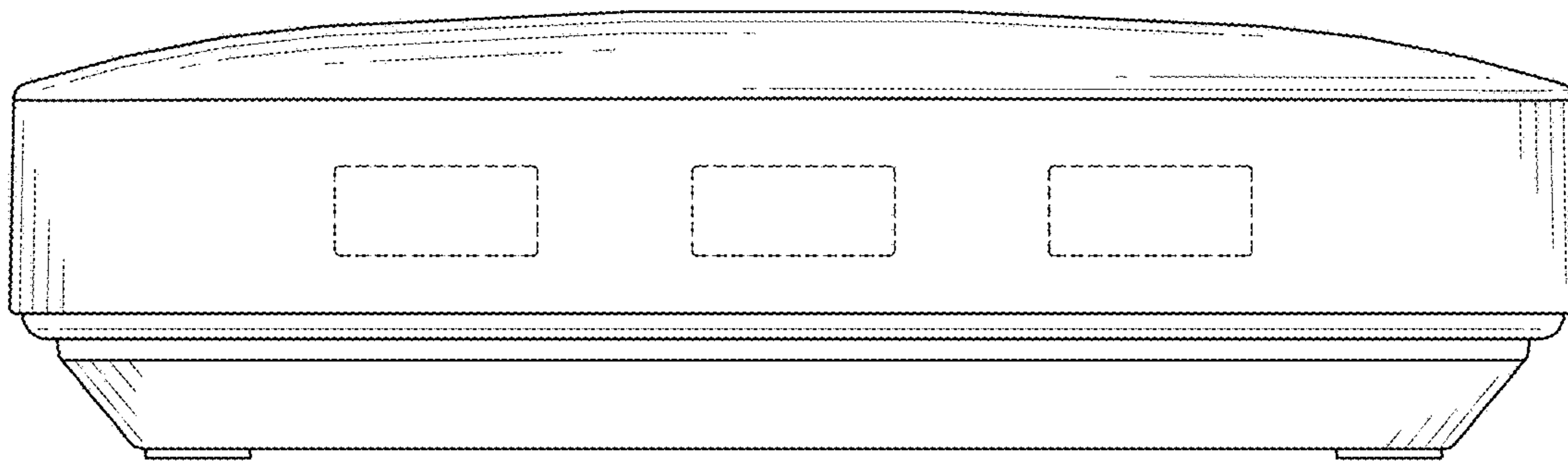


FIG. 4

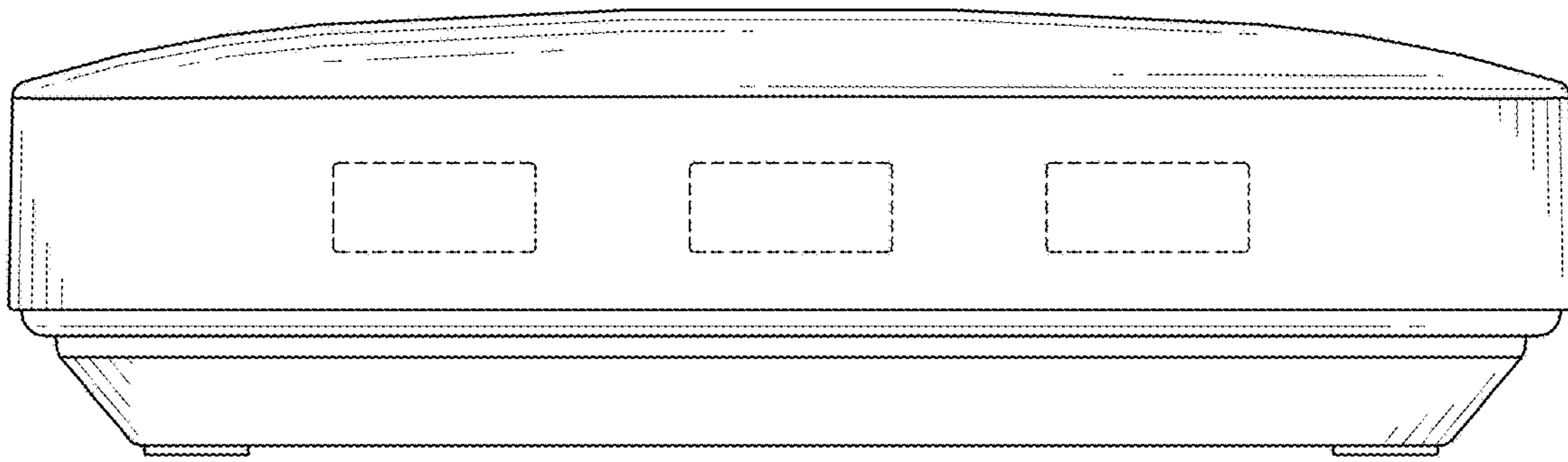


FIG. 5

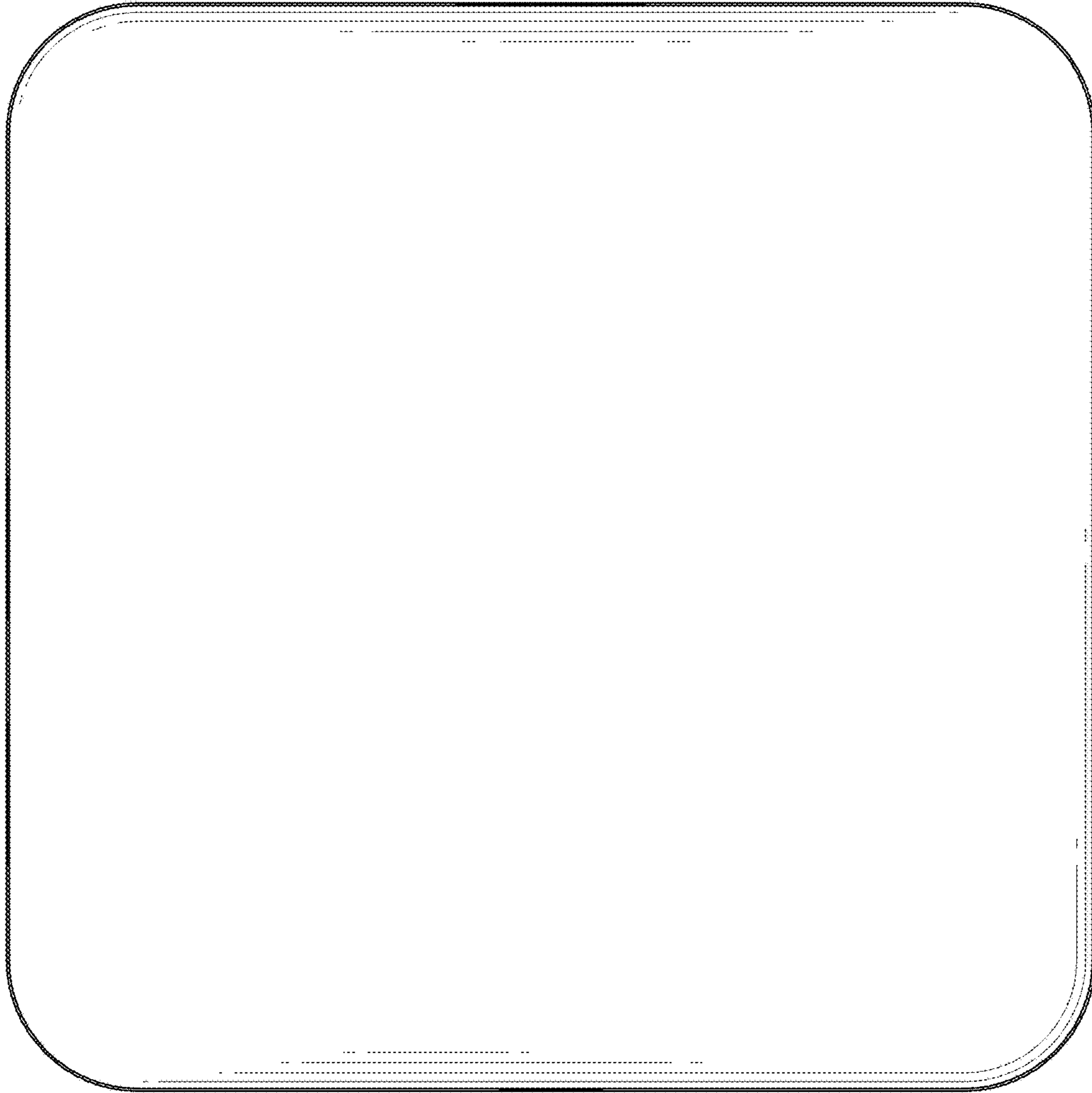


FIG. 6

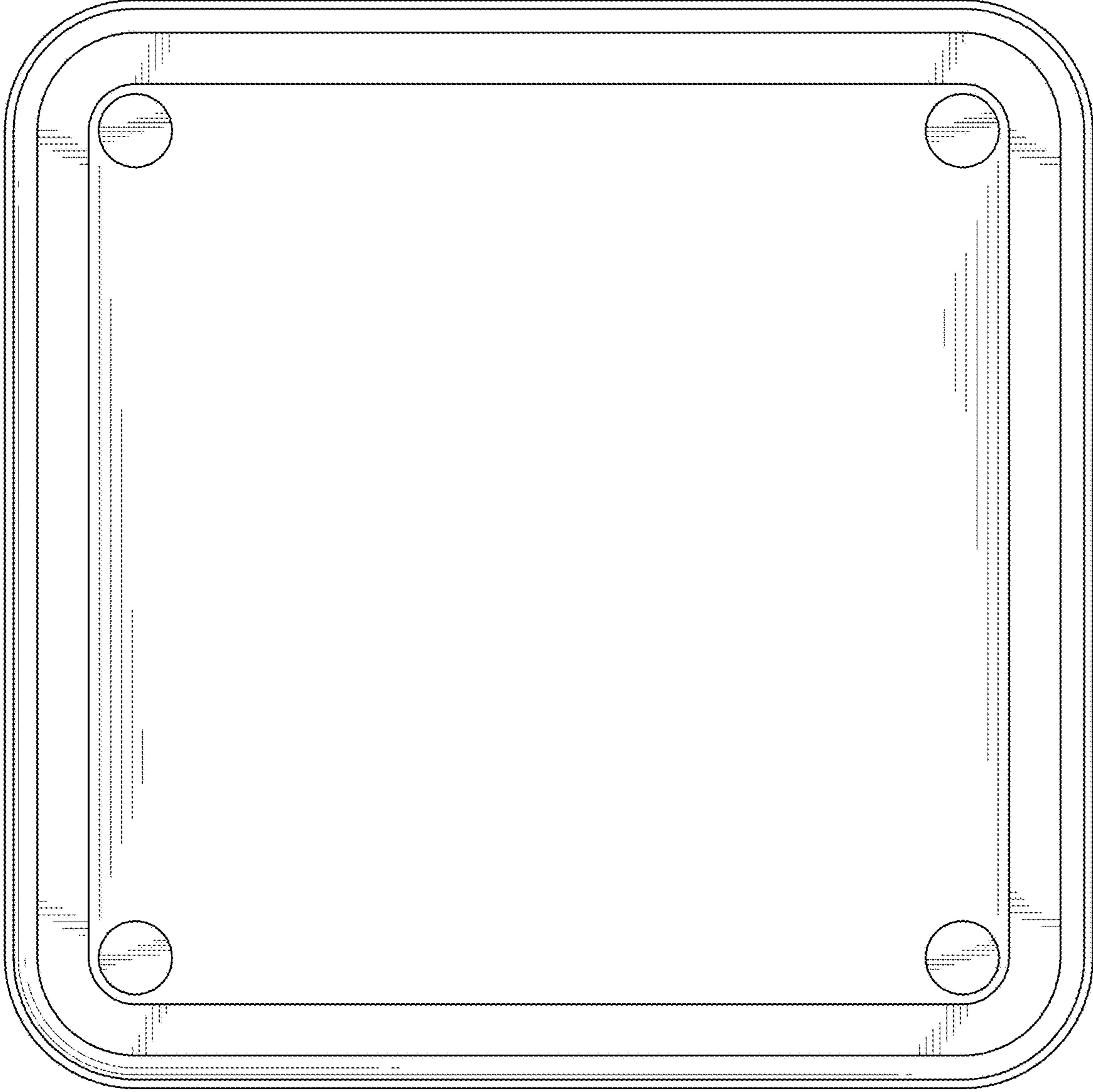


FIG. 7