



US00D812557S

(12) **United States Design Patent**
Rostami

(10) **Patent No.:** **US D812,557 S**
(45) **Date of Patent:** **** Mar. 13, 2018**

(54) **PORTABLE POWER SUPPLY**

(71) Applicant: **Advanced Wireless Innovations LLC**,
Santa Monica, CA (US)

(72) Inventor: **Ramin Rostami**, Calabasas, CA (US)

(**) Term: **15 Years**

(21) Appl. No.: **29/589,972**

(22) Filed: **Jan. 5, 2017**

(51) **LOC (11) Cl.** **13-02**

(52) **U.S. Cl.**
USPC **D13/103; D13/108**

(58) **Field of Classification Search**

USPC D13/102-104, 110, 118-121, 184, 199,
D13/107, 108; D14/356, 432; D20/27,
D20/22

CPC Y02E 60/12; Y02E 60/122; Y02E 60/124;
Y02E 60/50; H01M 10/4257; H01M
10/0436; H01M 10/48; H01M 10/44;
H01M 10/46; H01M 10/482; H01M
10/465; H01M 2/02; H01M 2/022; H01M
2/0202; H01M 2/0207; H01M 2/0212;
H01M 2/1061; H01M 2/1022; H01M
2/1055; H01M 2/1066; H01M 2/105;
H01M 2/204; H02J 7/00; H02J 7/0003;
H02J 7/0011; H02J 7/0013; H02J 7/0054;
H02J 7/0055; H02J 7/0057; H02J
2007/0062

See application file for complete search history.

(56) **References Cited**

U.S. PATENT DOCUMENTS

D287,864 S * 1/1987 Perfect D20/22
D377,810 S * 2/1997 Chaperon D20/27
D590,392 S * 4/2009 Wang D14/356
D592,660 S * 5/2009 Wang D14/356
D599,409 S * 9/2009 Kan D20/27
D602,430 S 10/2009 Green et al.

8,013,478 B2 9/2011 Chen et al.
D665,851 S * 8/2012 Davis D19/10
D666,144 S * 8/2012 Brand D13/103
D680,062 S 4/2013 Lien
D683,314 S 5/2013 Andre et al.
D686,153 S * 7/2013 Qu D13/103
D693,299 S 11/2013 Zaslavsky et al.
D706,228 S 6/2014 Ishiura
D719,504 S * 12/2014 Zsolcsak D13/103
D721,646 S 1/2015 Kim
D722,961 S * 2/2015 Lin D13/103

(Continued)

FOREIGN PATENT DOCUMENTS

CA 2939721 A1 8/2014
CN 203674765 U 6/2014

(Continued)

OTHER PUBLICATIONS

“Jump Cable.” Native Union, <http://www.nativeunion.com/jump-cable/>. Accessed on Jan. 5, 2017, pp. 1-2.

(Continued)

Primary Examiner — Rosemary K Tarcza

Assistant Examiner — Christy M Nemeth

(74) *Attorney, Agent, or Firm* — Mintz Levin Cohn Ferris
Glovsky and Popeo, P.C.

(57) **CLAIM**

The ornamental design for a portable power supply, as shown and described.

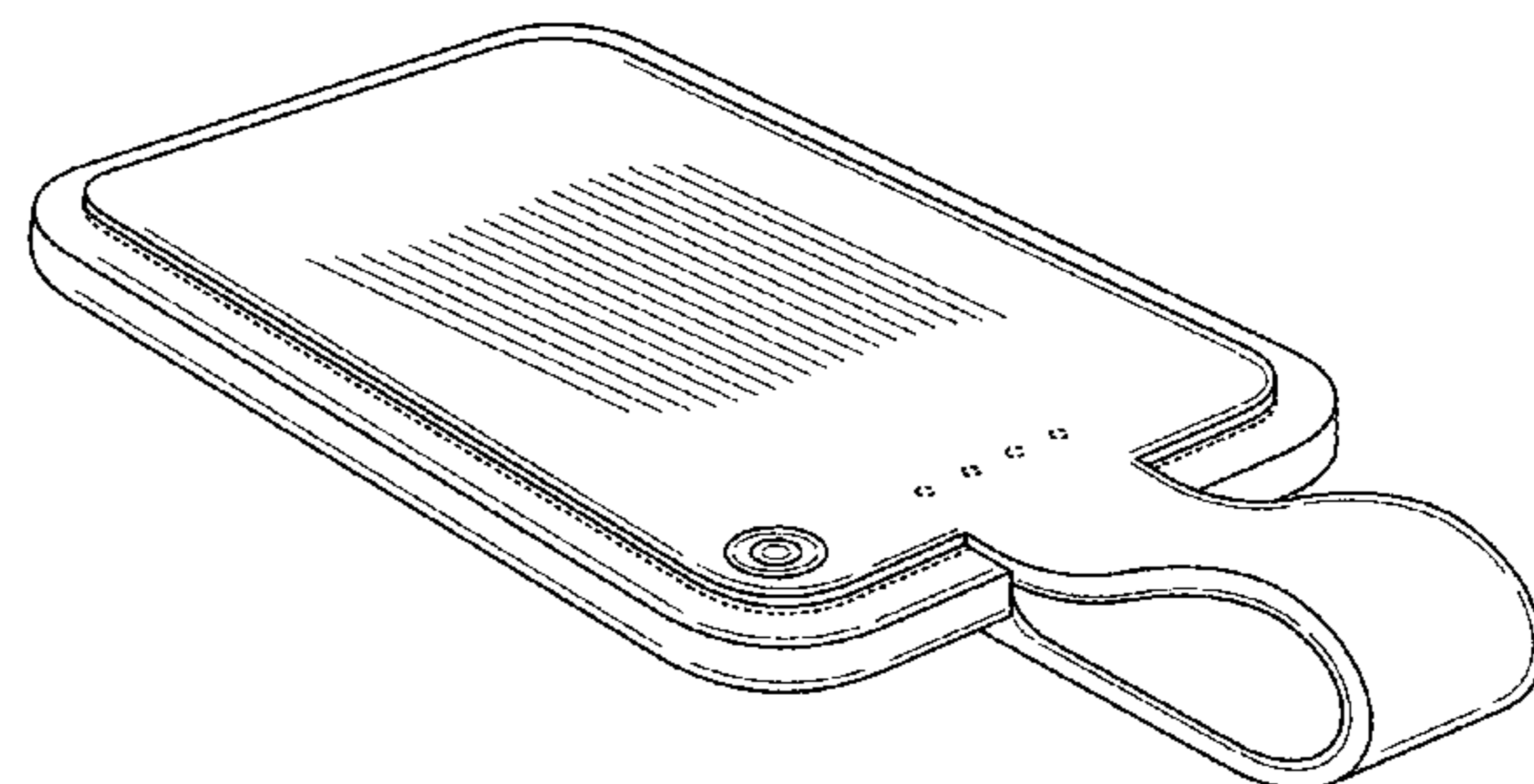
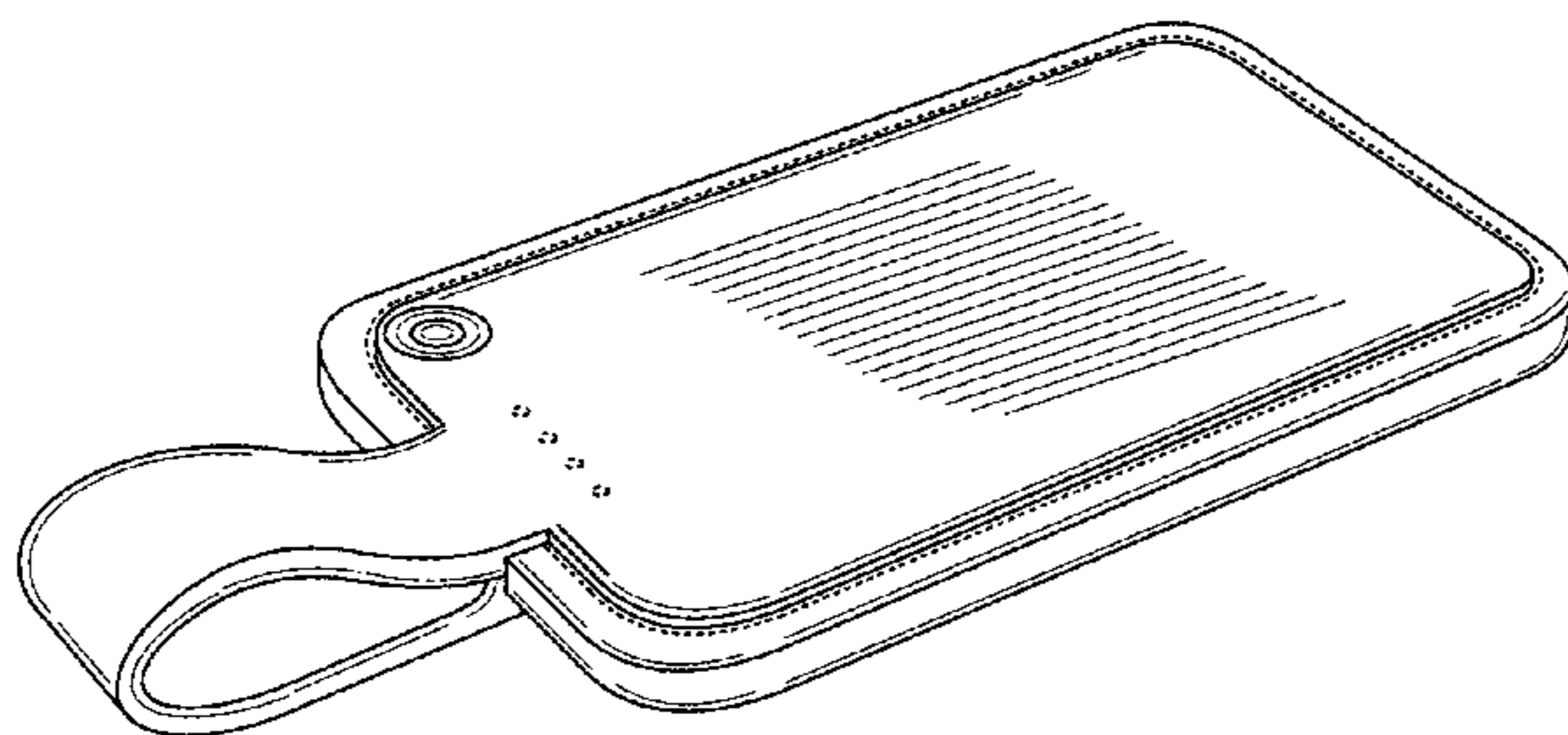
DESCRIPTION

FIG. 1 is a top, left side perspective view of a portable power supply of my new design; and,

FIG. 2 is top, right side perspective view thereof.

The broken lines in the drawings are for the purpose of illustrating portions of the portable power supply that form no part of the claimed design.

1 Claim, 2 Drawing Sheets



(56)

References Cited

FOREIGN PATENT DOCUMENTS

U.S. PATENT DOCUMENTS

D725,591 S 3/2015 Chien et al.
 D726,654 S 4/2015 Jung et al.
 D738,302 S 9/2015 Jeong et al.
 9,153,985 B1 10/2015 Gjovik et al.
 D742,311 S * 11/2015 Miller D13/103
 D745,456 S 12/2015 Fung et al.
 9,318,915 B2 4/2016 Miller et al.
 D756,943 S 5/2016 Epstein et al.
 D757,646 S 5/2016 Pearson
 D760,162 S * 6/2016 Park D13/103
 D760,645 S 7/2016 Chen
 D762,164 S * 7/2016 Lin D13/103
 D764,404 S * 8/2016 Lau D13/103
 D765,593 S * 9/2016 Hoshikawa D13/103
 D766,179 S * 9/2016 Polk D13/108
 D768,068 S 10/2016 Chen
 D770,376 S 11/2016 Baum et al.
 D772,807 S * 11/2016 Chen D13/103
 D776,051 S 1/2017 Wang
 D780,113 S 2/2017 Xianxi
 D783,523 S 4/2017 Jang et al.
 D795,185 S * 8/2017 Sollberger D13/108
 D795,801 S 8/2017 Fletcher et al.
 2013/0082543 A1 4/2013 Tang
 2015/0346773 A1 12/2015 Choi
 2015/0380962 A1 12/2015 Hsu
 2016/0049818 A1 2/2016 Yao et al.
 2016/0197445 A1 7/2016 Bryngelsson et al.

CN 201330527430.5 6/2014
 CN 104767229 A 7/2015
 CN 204668991 U 9/2015
 EM 0027580110002 8/2015
 HK 1300804 10/2013
 HK 1400589.4 10/2014
 JP 1452553 S 10/2012
 KR 20120127681 A 11/2012
 KR 3020140052607 1/2015
 KR 3020150064678 6/2016
 WO WO-2015/069095 A1 5/2015

OTHER PUBLICATIONS

“MyCharge.” Geek Mom, <http://geekmom.com/tag/mycharge/>. Jun. 21, 2012. Web. Accessed on Nov. 16, 2016. pp. 1-13.
 “Portable Charger RAVPower 9000mAh Power Bank.” Amazon, <https://www.amazon.com/RAVPower-Certified-Lightning-Connector-Compatibility/dp/B00Q2B5KY2>. Accessed on Jan. 5, 2017. 5 pages.
 “Thino.” Bebop, <http://bebopdesigners.com/thino>. Accessed on Nov. 16, 2016. pp. 1-9.
 Hohn, Holger. “Philips PowerPouch DLP7003.” Behance, <https://www.behance.net/gallery/32957699/Philips-PowerPouch-DLP7003-2015>. Web. Accessed on Jan. 5, 2017. pp. 1-4.
 Liszewski, Andrew. “This Portable Charger Has Every Connector You’ll Need, Even AC Prongs.” Gizmodo, Nov. 12, 2014, <http://gizmodo.com/this-portable-charger-has-every-connector-youll-need-e-1657911281>. Accessed Apr. 4, 2017. 2 pages.

* cited by examiner

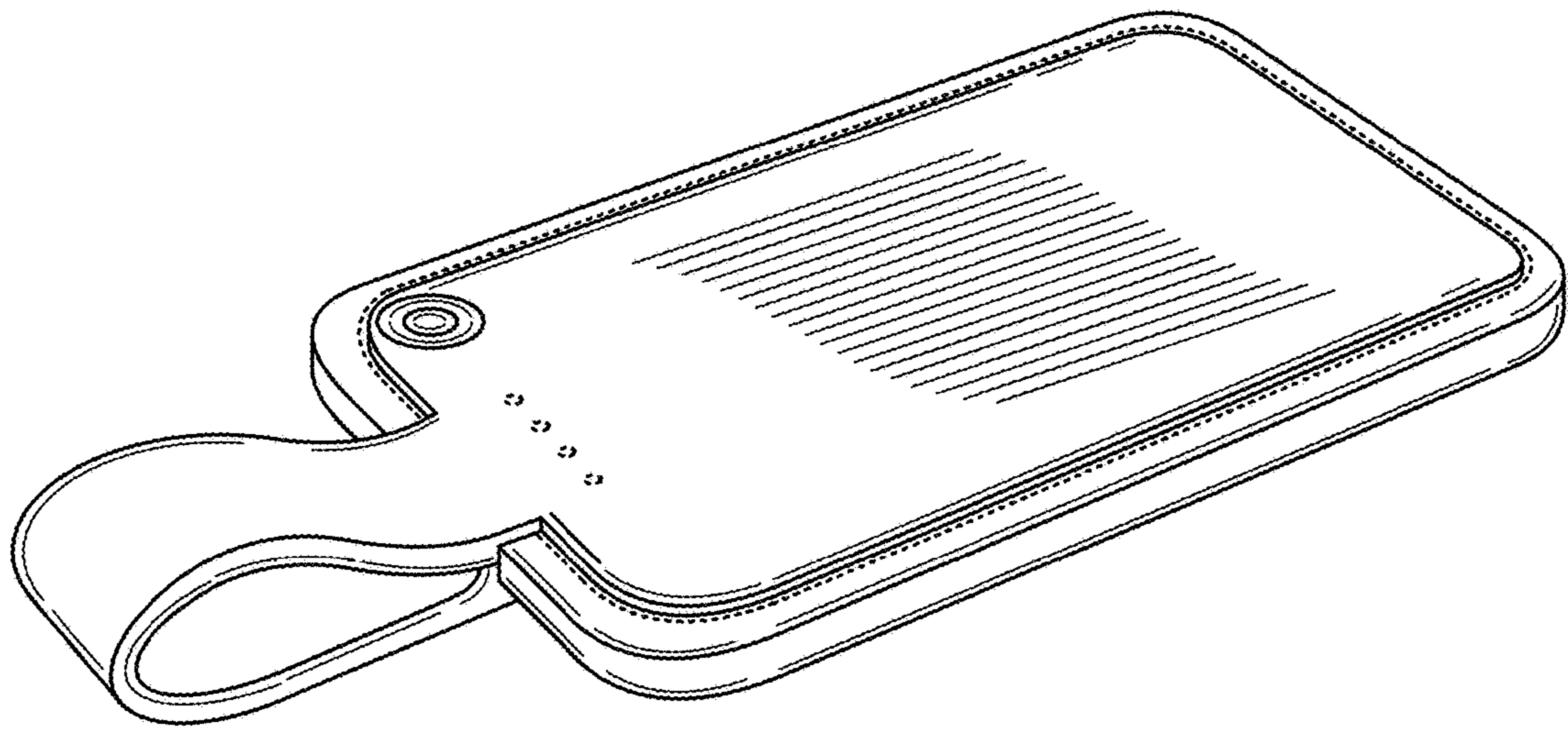


FIG. 1

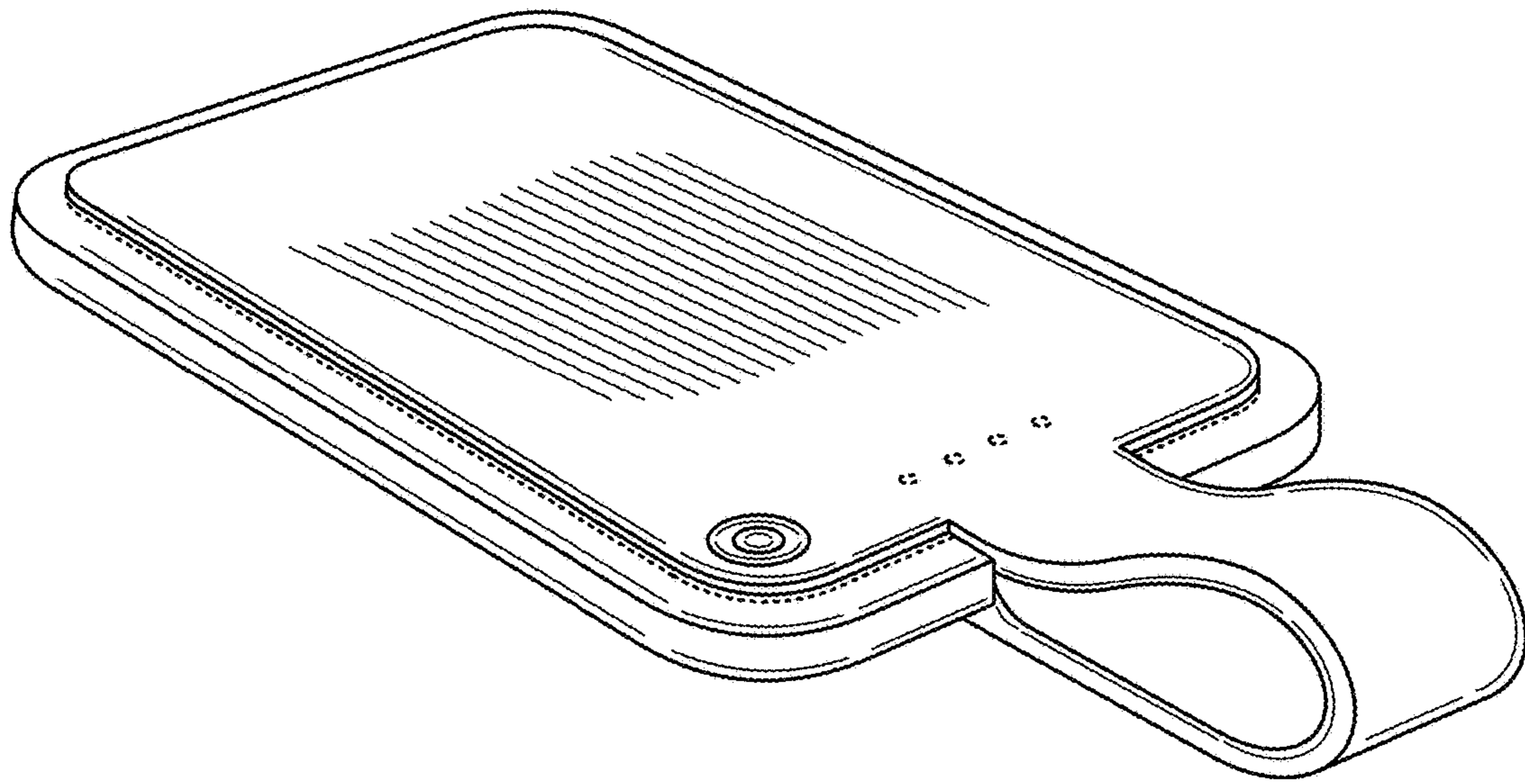


FIG. 2