



US00D812556S

(12) **United States Design Patent**
Xu

(10) **Patent No.:** **US D812,556 S**
(45) **Date of Patent:** **** Mar. 13, 2018**

(54) **WIRELESS CHARGER**

(71) Applicant: **Guangdong BESTEK E-commerce Co., Ltd.**, Shenzhen (CN)

(72) Inventor: **Xinhua Xu**, Shenzhen (CN)

(73) Assignee: **GUANGDONG BESTEK E-COMMERCE CO., LTD.**, Shenzhen (CN)

(**) Term: **15 Years**

(21) Appl. No.: **29/586,395**

(22) Filed: **Dec. 2, 2016**

(51) **LOC (11) Cl.** **13-02**

(52) **U.S. Cl.**
USPC **D13/103**

(58) **Field of Classification Search**
USPC D13/102–103, 118–119, 107–110, 184, D13/104–106, 199
CPC Y02E 60/12; Y02E 60/122; Y02E 60/124; Y02E 60/50; H01M 2/02; H01M 2/022; H01M 2/0202; H01M 2/0207; H01M 2/0212; H01M 2/1061; H01M 2/1022; H01M 2/1055; H01M 2/1066; H01M 2/105; H01M 2/204; H01M 10/4257; H01M 10/0436; H01M 10/48; Y02T 90/14; Y02T 90/122; Y02T 90/128; Y02T 90/163; H02J 7/025; H02J 7/0042; H02J 7/0044; H02J 7/0045; H02J 7/0003
See application file for complete search history.

(56) **References Cited**
U.S. PATENT DOCUMENTS

D432,284 S *	10/2000	Lux, Jr.	D13/118
D574,769 S *	8/2008	Fisher	D13/108
D637,951 S *	5/2011	Perez	D13/108
D644,989 S *	9/2011	Gucciione	D13/108

D656,097 S *	3/2012	Nomi	D13/108
D692,375 S *	10/2013	Mamane	D13/108
D705,160 S *	5/2014	Ormesher	D13/108
D719,505 S *	12/2014	Kim	D13/108
D722,962 S *	2/2015	Kim	D13/108
D754,599 S *	4/2016	Yang	D13/108
D782,976 S *	4/2017	Zhang	D13/108
D782,977 S *	4/2017	Zhang	D13/108
D784,258 S *	4/2017	Vienna	D13/108
D784,259 S *	4/2017	Huang	D13/108
D786,791 S *	5/2017	Jeong	D13/108
D788,034 S *	5/2017	Gschwandtl	D13/108
D788,700 S *	6/2017	Yang	D13/108
D794,557 S *	8/2017	Kim	D13/108
2002/0110013 A1 *	8/2002	Park	H01F 27/2804 363/153
2008/0297295 A1 *	12/2008	Yamazaki	H01F 5/003 336/90
2009/0001931 A1 *	1/2009	Lin	H02J 7/025 320/108

(Continued)

Primary Examiner — Rosemary K Tarcza

(57) **CLAIM**

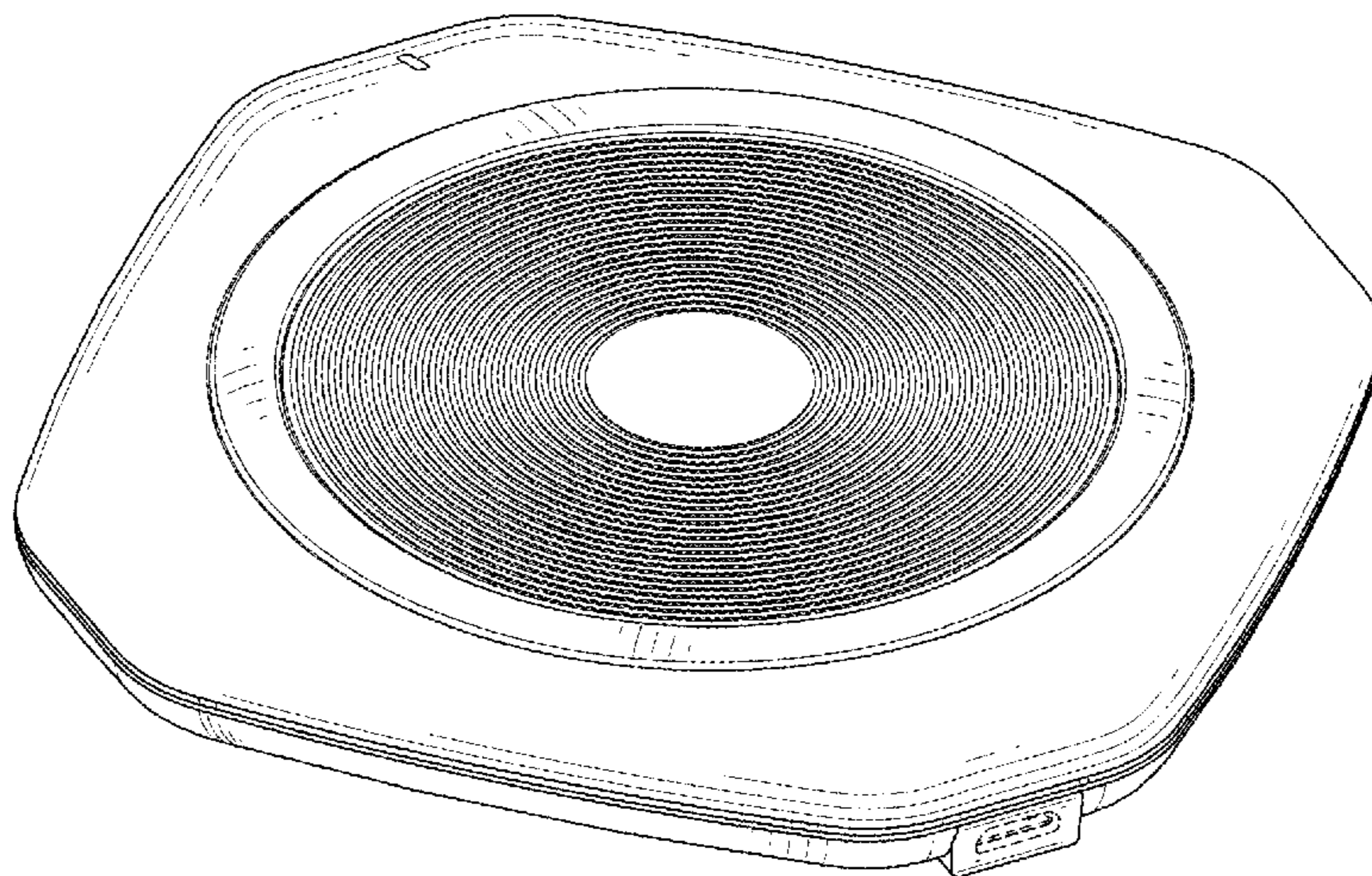
The ornamental design for a wireless charger, as shown and described.

DESCRIPTION

FIG. 1 is a top perspective view of a wireless charger, showing my new design;
 FIG. 2 is a bottom perspective view thereof;
 FIG. 3 is a front elevational view thereof;
 FIG. 4 is a rear elevational view thereof;
 FIG. 5 is a left side elevational view thereof;
 FIG. 6 is a right side elevational view thereof;
 FIG. 7 is a top plan view thereof; and,
 FIG. 8 is a bottom plan view thereof.

The broken lines shown in the drawings are included for the purpose of illustrating unclaimed portions of the wireless charger, and form no part of the claimed design.

1 Claim, 8 Drawing Sheets



(56)

References Cited

U.S. PATENT DOCUMENTS

2011/0017282 A1* 1/2011 Tas H01L 31/042
136/252
2015/0294784 A1* 10/2015 Higashiyama H01F 38/14
307/104
2015/0381239 A1* 12/2015 Shostak H04B 5/0037
455/41.1
2016/0035477 A1* 2/2016 Yeh H01F 27/2804
320/108

* cited by examiner

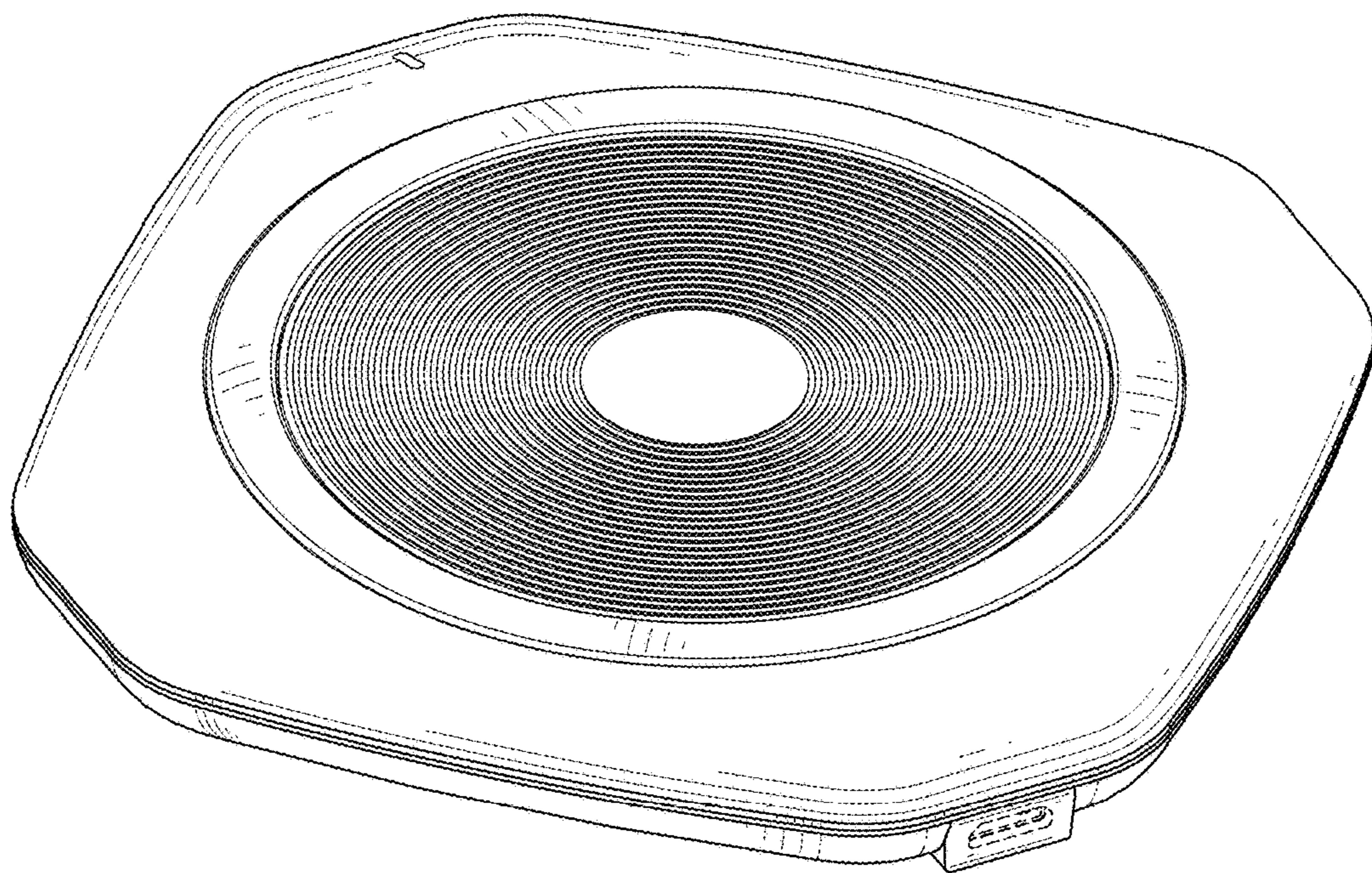


FIG. 1

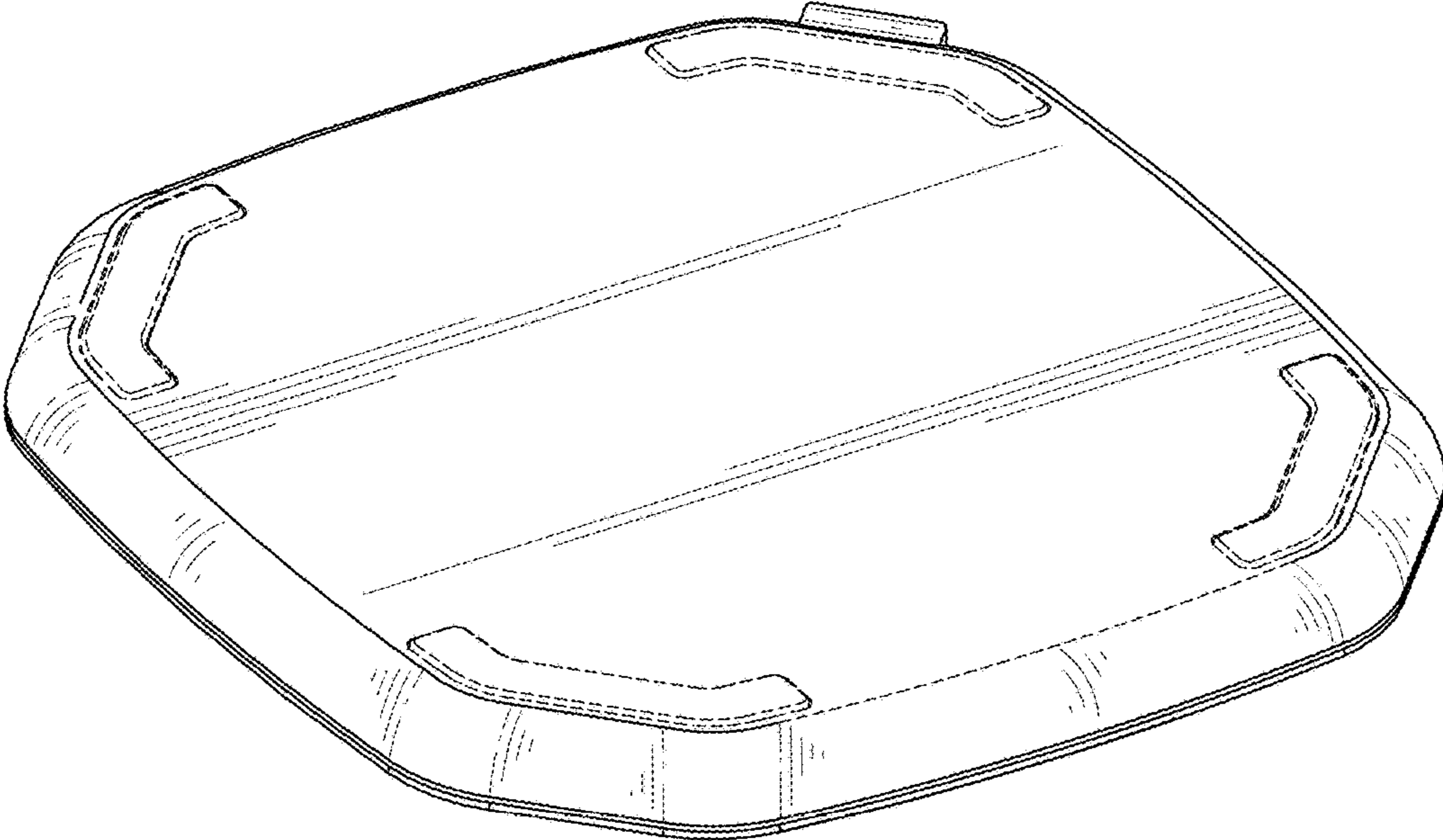


FIG. 2

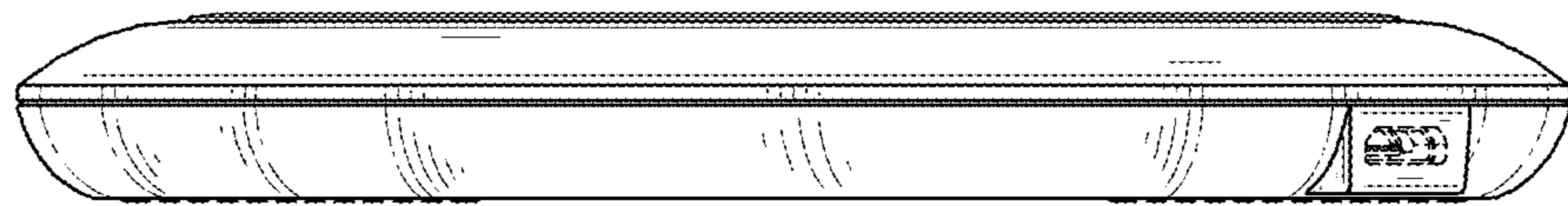


FIG. 3

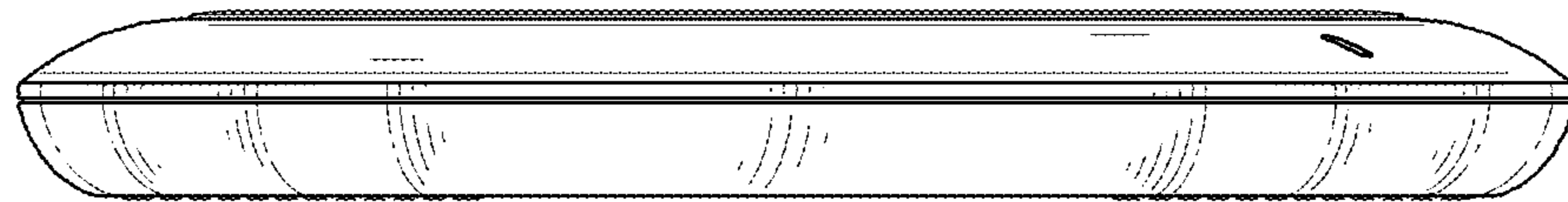


FIG. 4

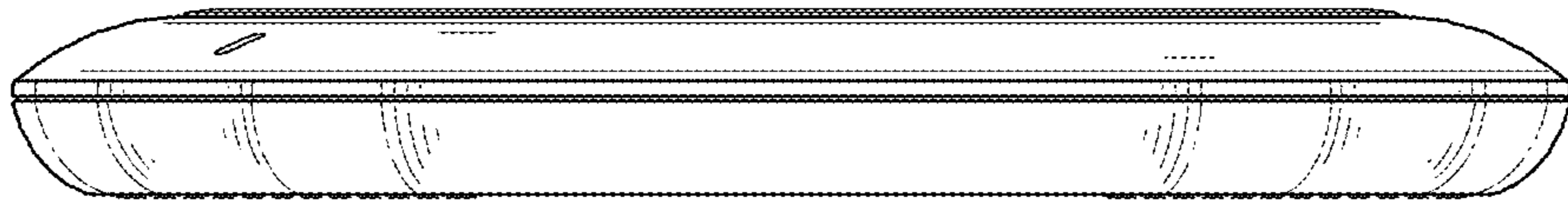


FIG. 5

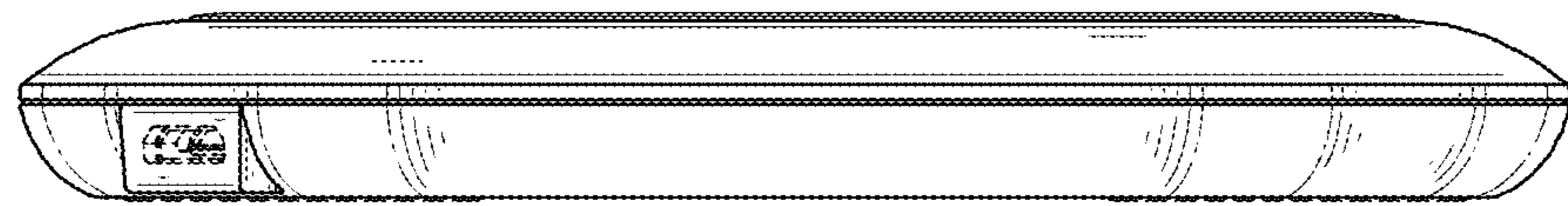


FIG. 6

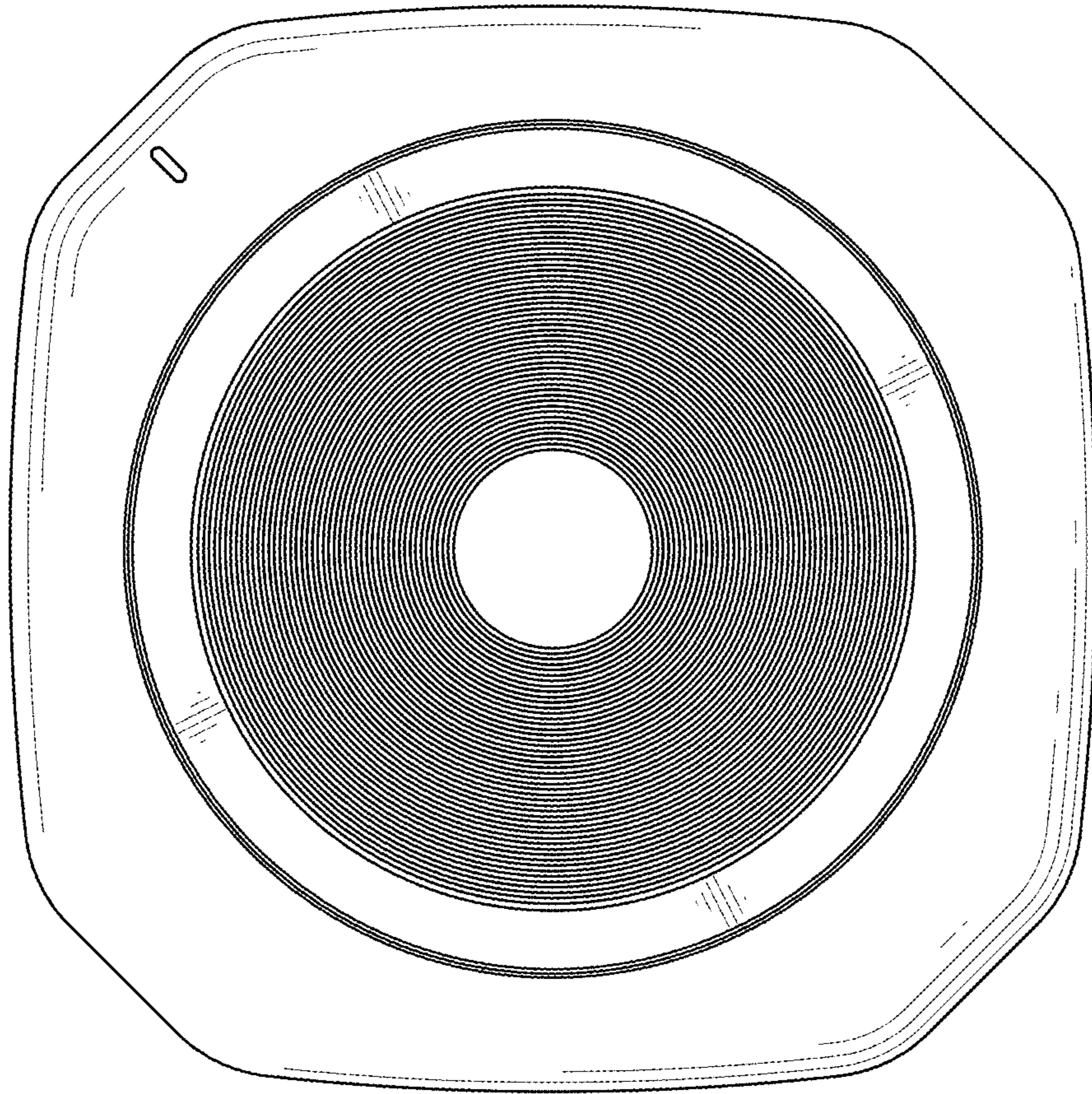


FIG. 7

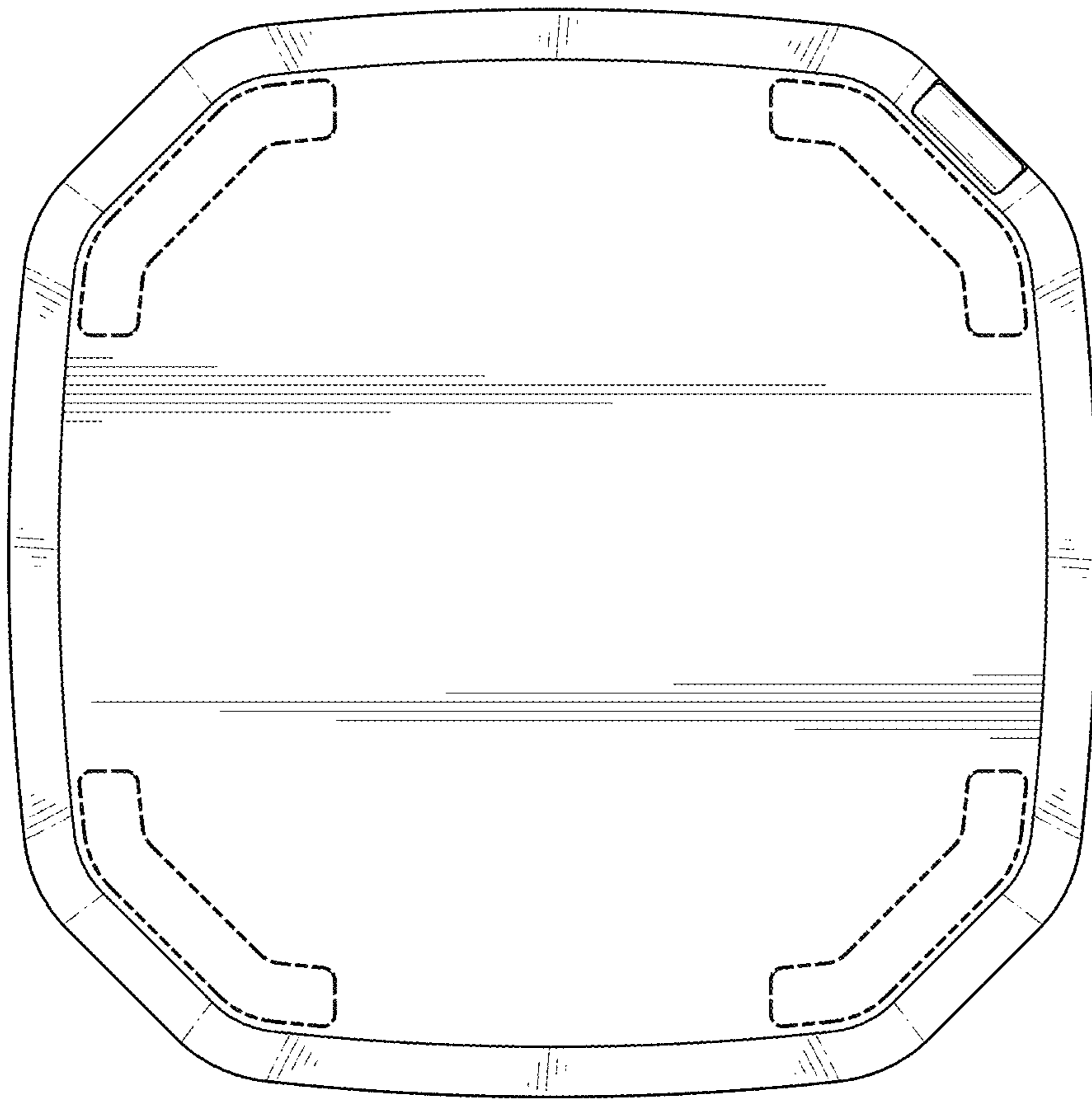


FIG. 8