



US00D812555S

(12) **United States Design Patent** (10) **Patent No.:** **US D812,555 S**
Schoch (45) **Date of Patent:** **** Mar. 13, 2018**

(54) **BATTERY PACK**

(71) Applicant: **BLACK & DECKER INC.**, New Britain, CT (US)

(72) Inventor: **Robert B. Schoch**, Baltimore, MD (US)

(73) Assignee: **Black & Decker Inc.**, New Britain, CT (US)

(**) Term: **15 Years**

(21) Appl. No.: **29/568,805**

(22) Filed: **Jun. 21, 2016**

(51) **LOC (11) Cl.** **13-02**

(52) **U.S. Cl.**
USPC **D13/103**

(58) **Field of Classification Search**
USPC D13/102–106, 110, 118–119, 184
CPC Y02E 60/12; Y02E 60/122; Y02E 60/124;
Y02E 60/50; H01M 2/02; H01M 2/022;
H01M 2/0202; H01M 2/0207; H01M
2/0212; H01M 2/1061; H01M 2/1022;
H01M 2/1055; H01M 2/1066; H01M
2/105; H01M 2/204; H01M 10/4257;
H01M 10/0436; H01M 10/48
See application file for complete search history.

(56) **References Cited**

U.S. PATENT DOCUMENTS

D555,086 S	*	11/2007	Zhang	D13/103
D589,441 S	*	3/2009	Van Wambeke	D13/103
D699,670 S	*	2/2014	Cooper	D13/103
D718,705 S	*	12/2014	Naksen	D13/103
8,974,951 B2	*	3/2015	Park	H01M 2/105 429/100
D770,377 S	*	11/2016	Kondo	D13/103
D780,688 S	*	3/2017	Elder	D13/103

2013/0280573	A1*	10/2013	Taga	H01M 2/105 429/100
2013/0330576	A1*	12/2013	Kolden	H01M 10/425 429/7
2016/0172722	A1*	6/2016	Rejman	H01M 10/488 362/119
2016/0226277	A1*	8/2016	Wenger	H02J 7/0054
2016/0359151	A1*	12/2016	Beyerl	H01M 2/1055
2017/0012272	A1*	1/2017	Naito	H01M 2/30

* cited by examiner

Primary Examiner — Rosemary K Tarcza

Assistant Examiner — Alison M Ofstun

(74) *Attorney, Agent, or Firm* — Michael Aronoff

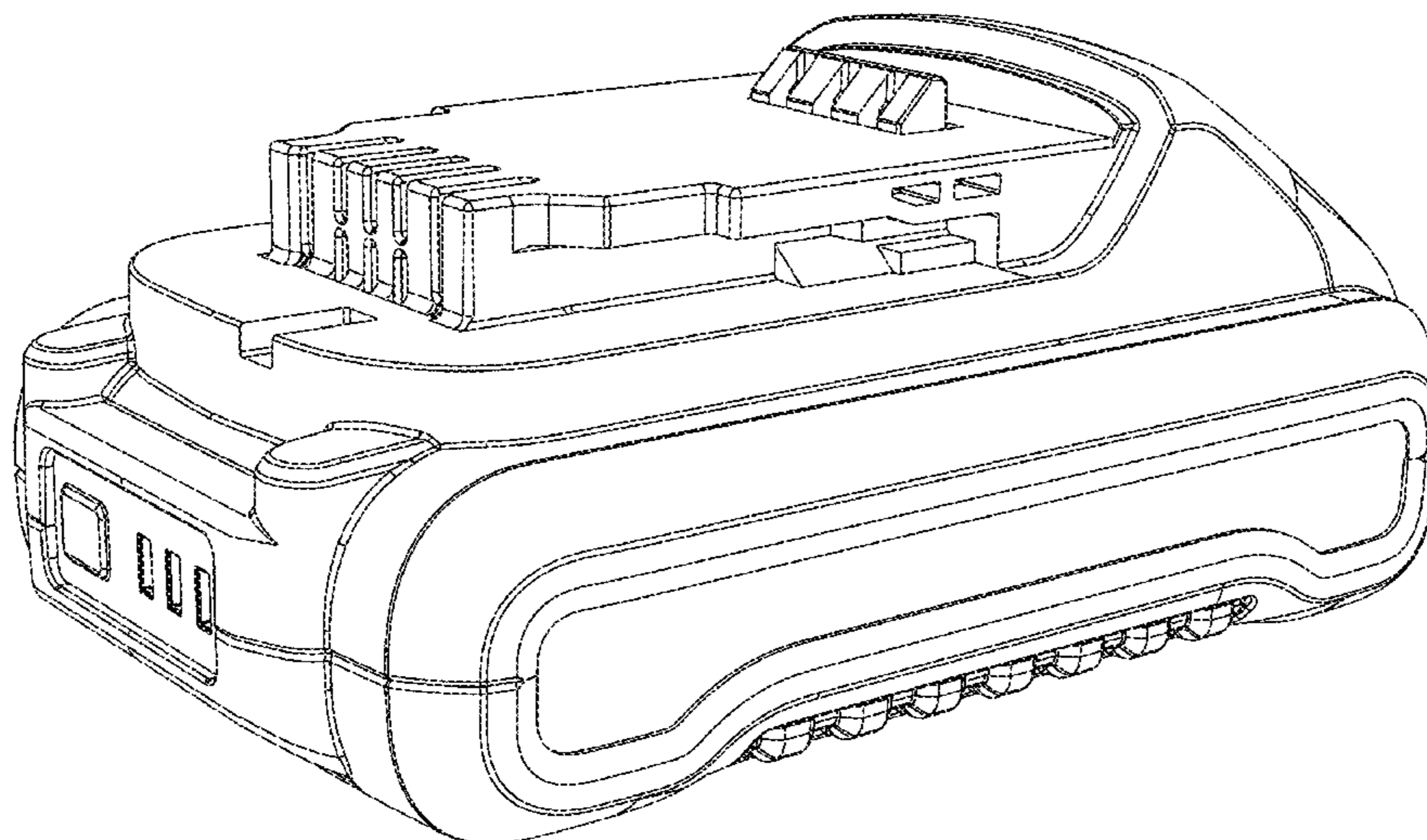
(57) **CLAIM**

The ornamental design for a battery pack, as shown and described.

DESCRIPTION

FIG. 1 is a perspective view of a first embodiment of a battery pack of the present invention.
 FIG. 2 is a front view of the battery pack of FIG. 1.
 FIG. 3 is a back view of the battery pack of FIG. 1.
 FIG. 4 is a left side view of the battery pack of FIG. 1.
 FIG. 5 is a right side view of the battery pack of FIG. 1.
 FIG. 6 is a top view of the battery pack of FIG. 1.
 FIG. 7 is a bottom view of the battery pack of FIG. 1.
 FIG. 8 is a perspective view of a second embodiment of a battery pack of the present invention.
 FIG. 9 is a front view of the battery pack of FIG. 8.
 FIG. 10 is a back view of the battery pack of FIG. 8.
 FIG. 11 is a left side view of the battery pack of FIG. 8.
 FIG. 12 is a right side view of the battery pack of FIG. 8.
 FIG. 13 is a top view of the battery pack of FIG. 8; and,
 FIG. 14 is a bottom view of the battery pack of FIG. 8.
 The broken lines present in the figures are included for the purpose of illustrating portions of the article that form no part of the claimed design.

1 Claim, 14 Drawing Sheets



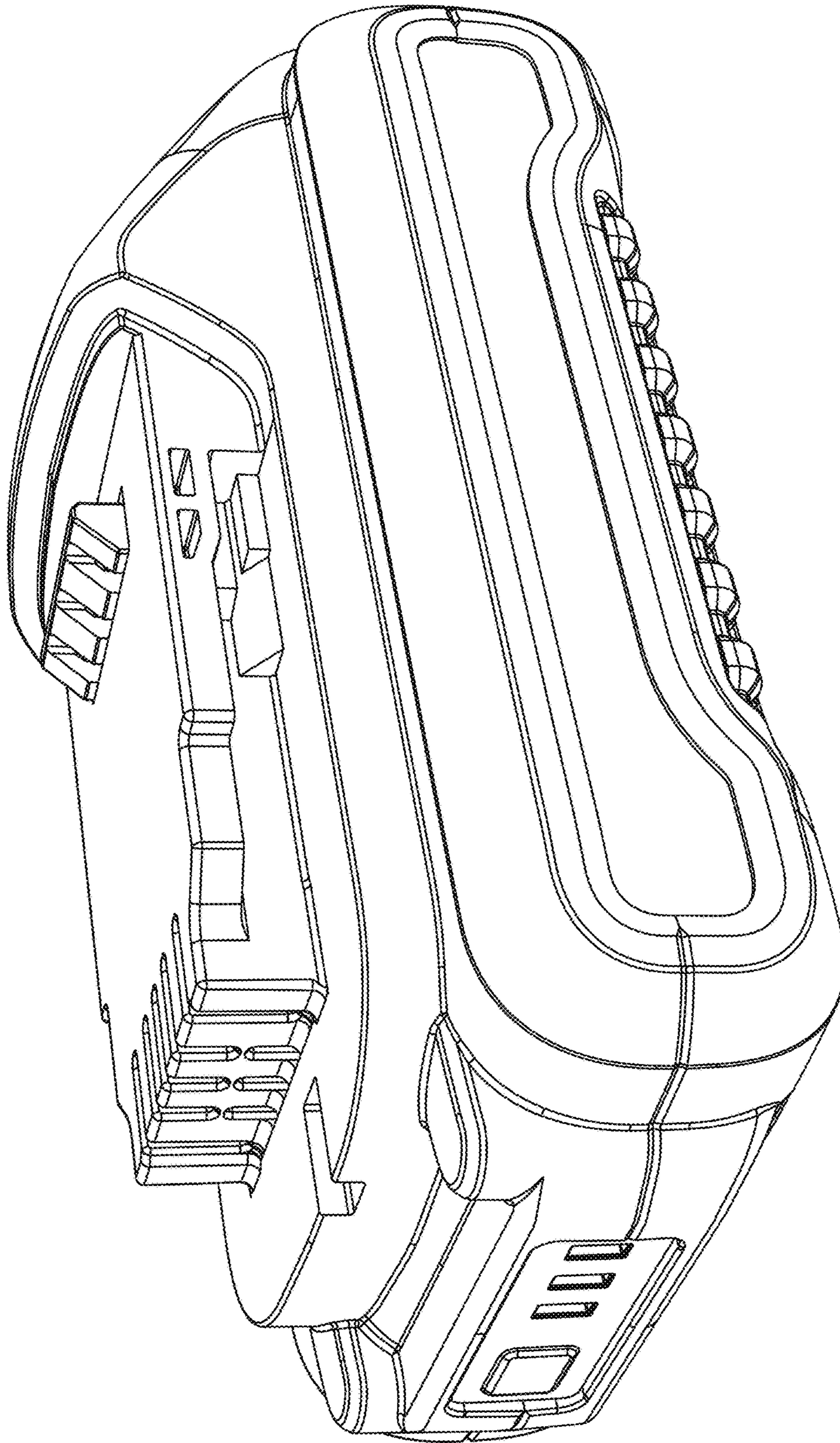


FIG. 1

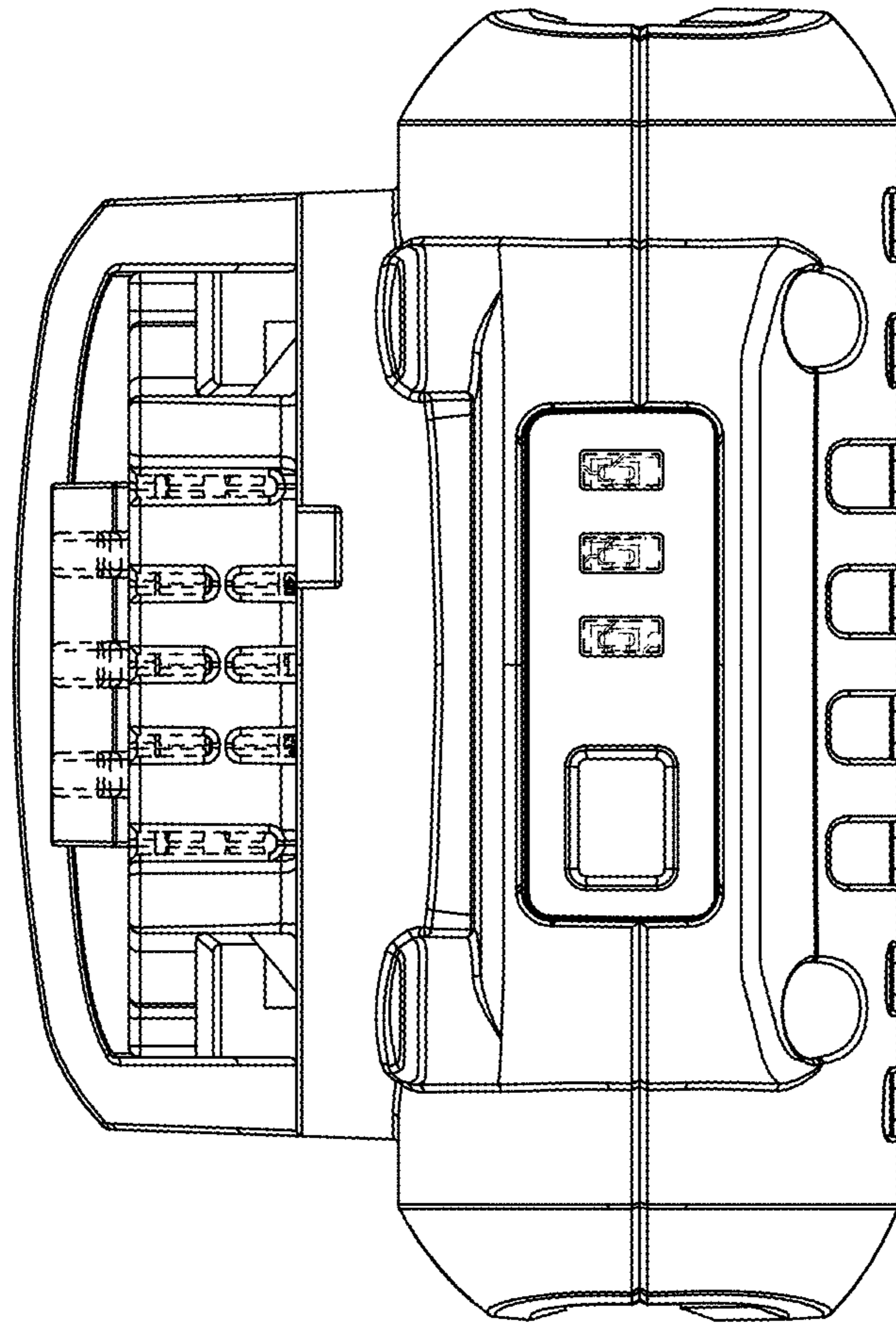


FIG. 2

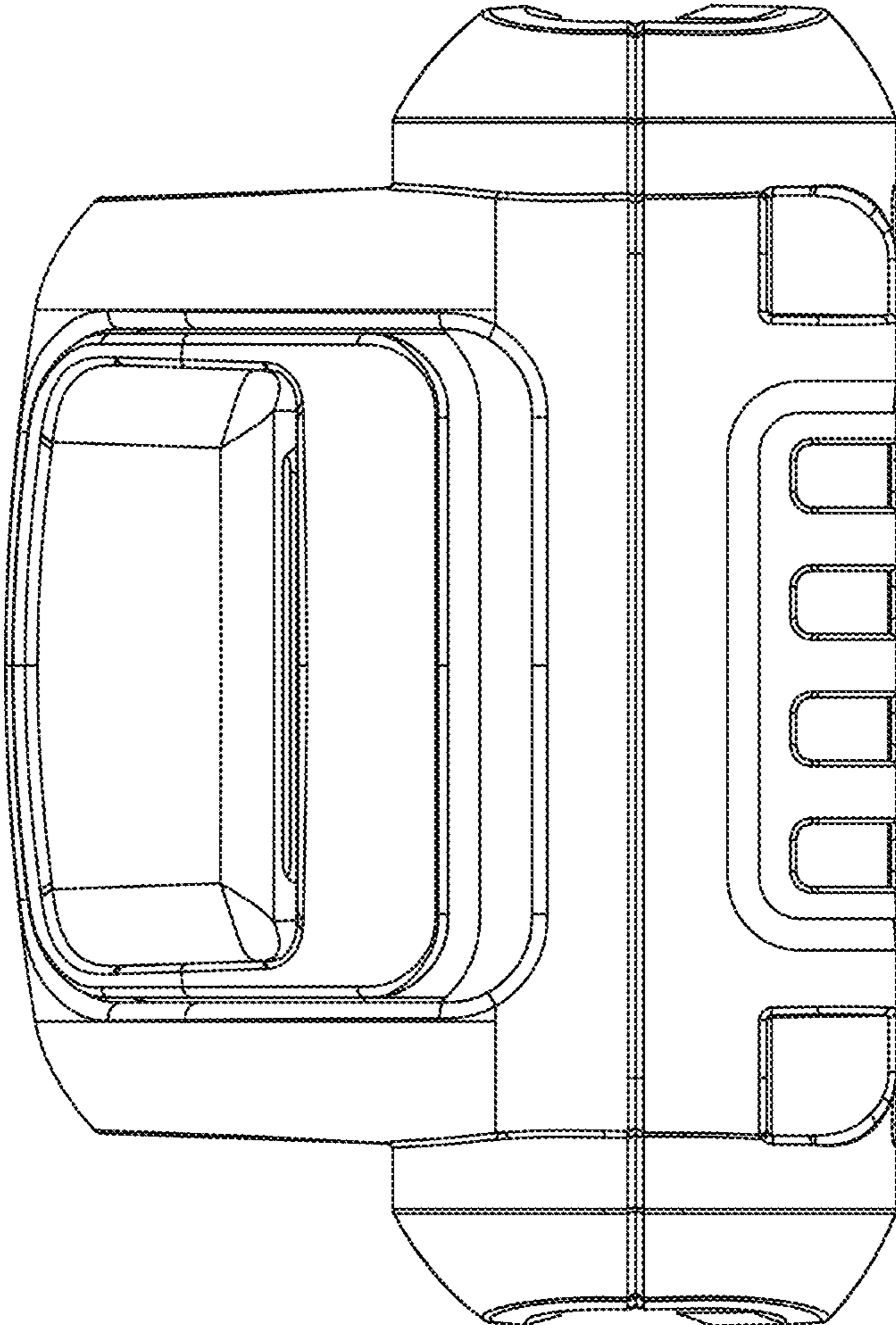


FIG. 3

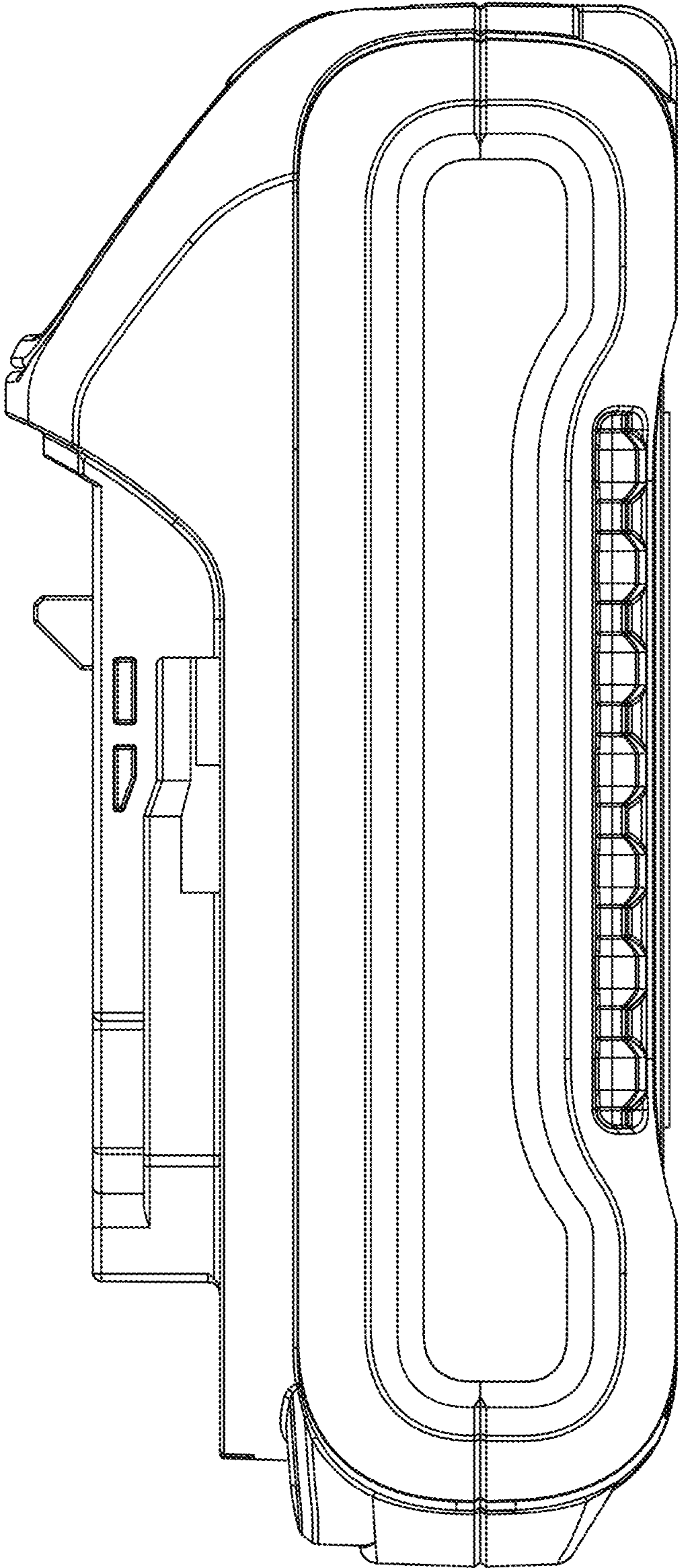


FIG. 4

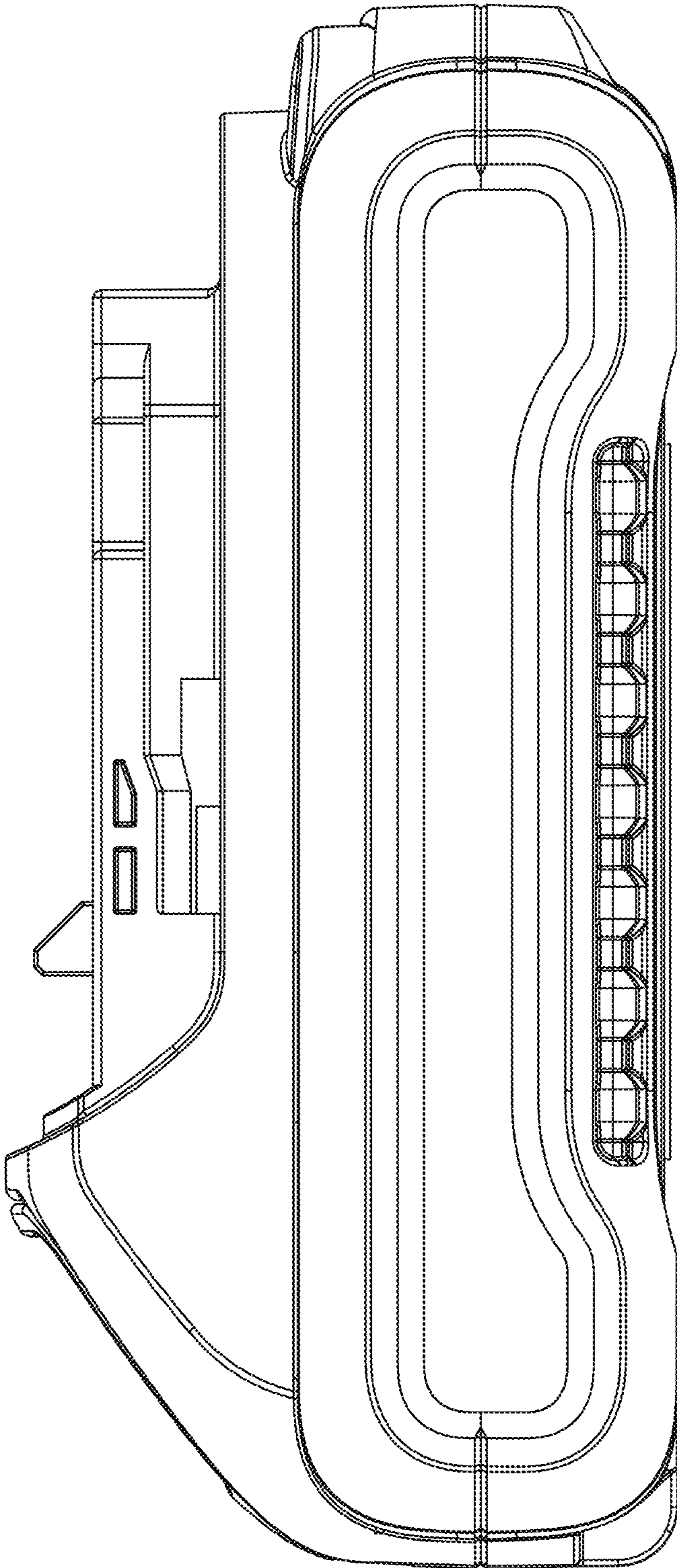


FIG. 5

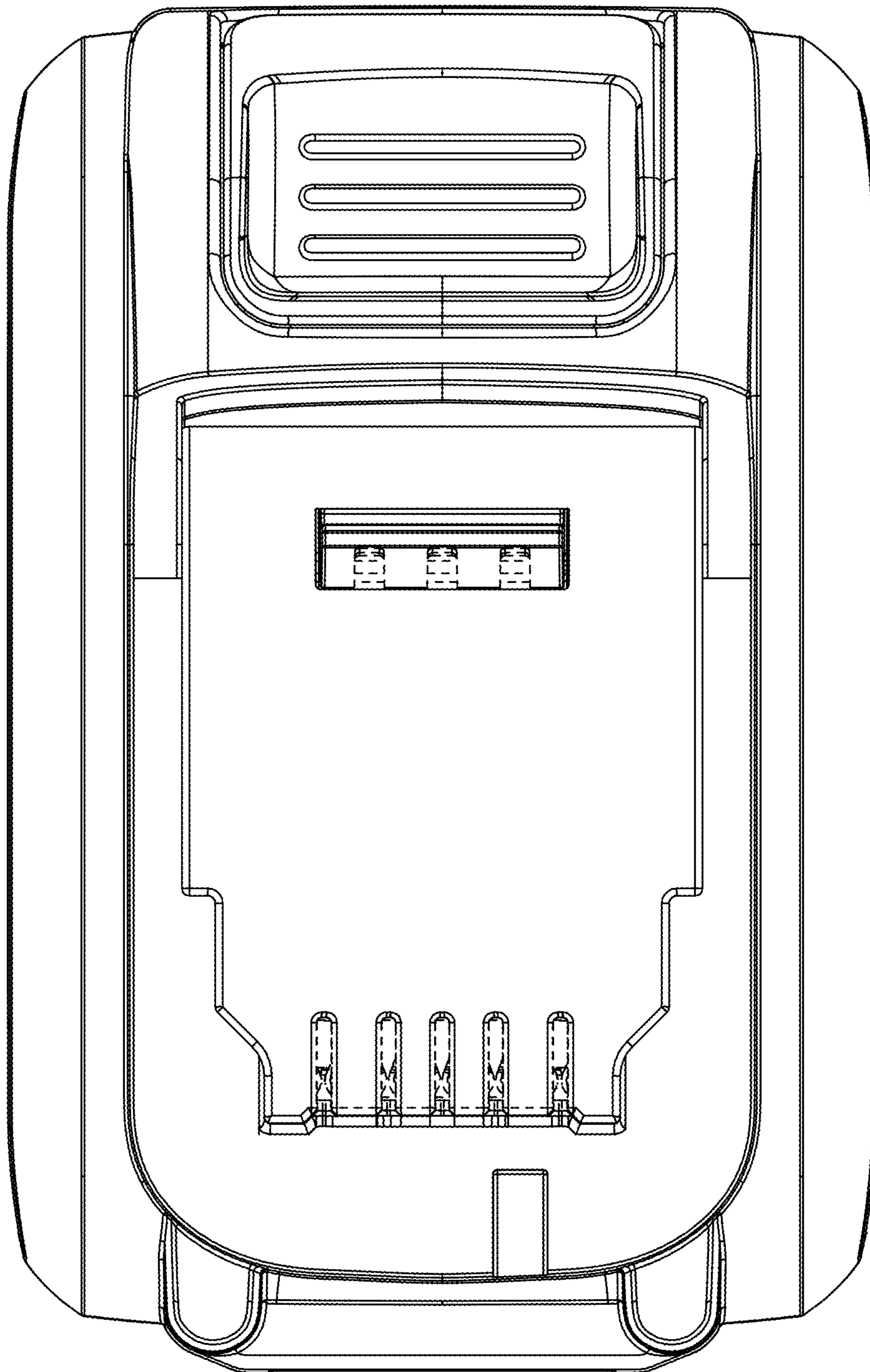


FIG. 6

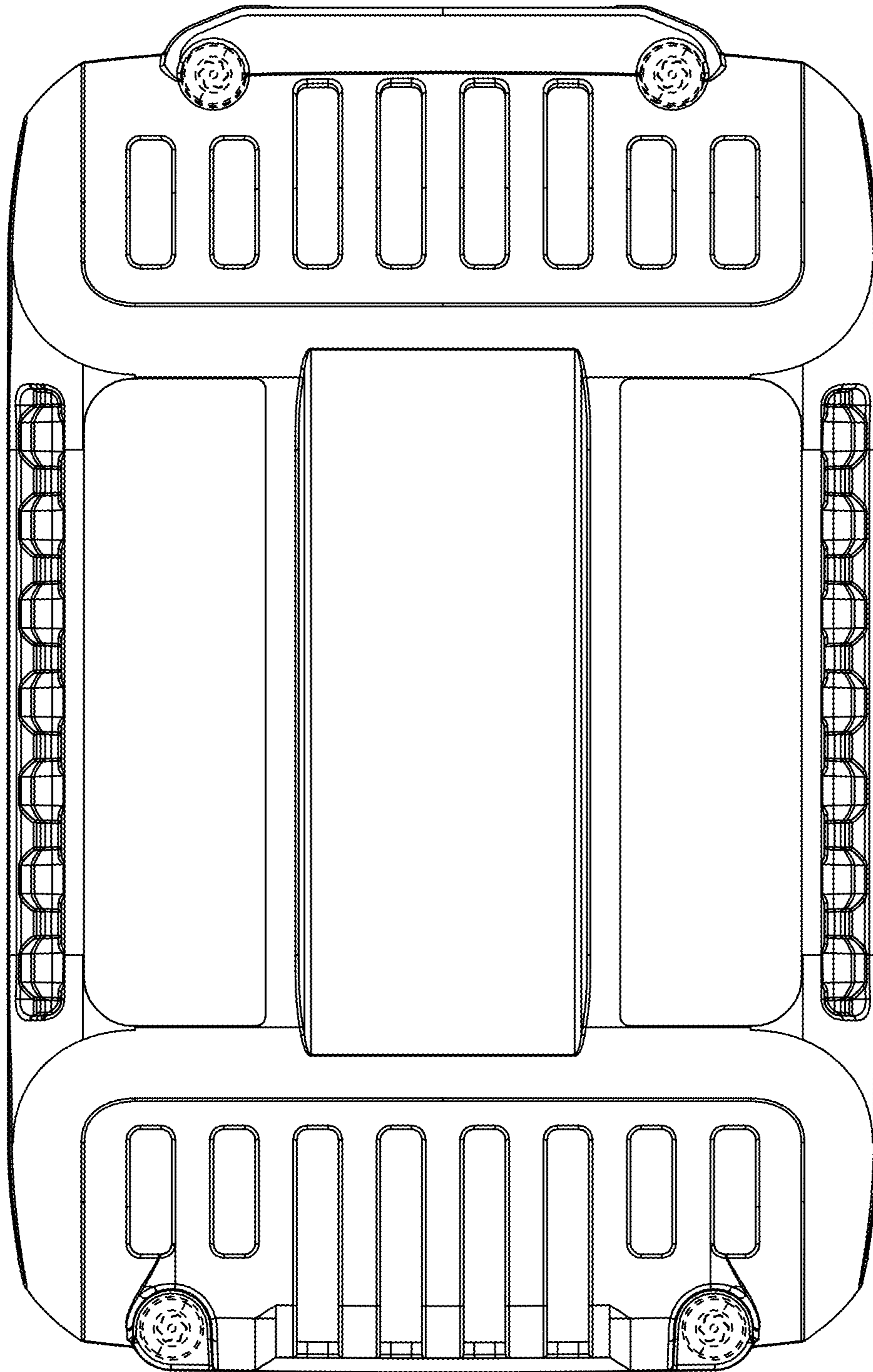


FIG. 7

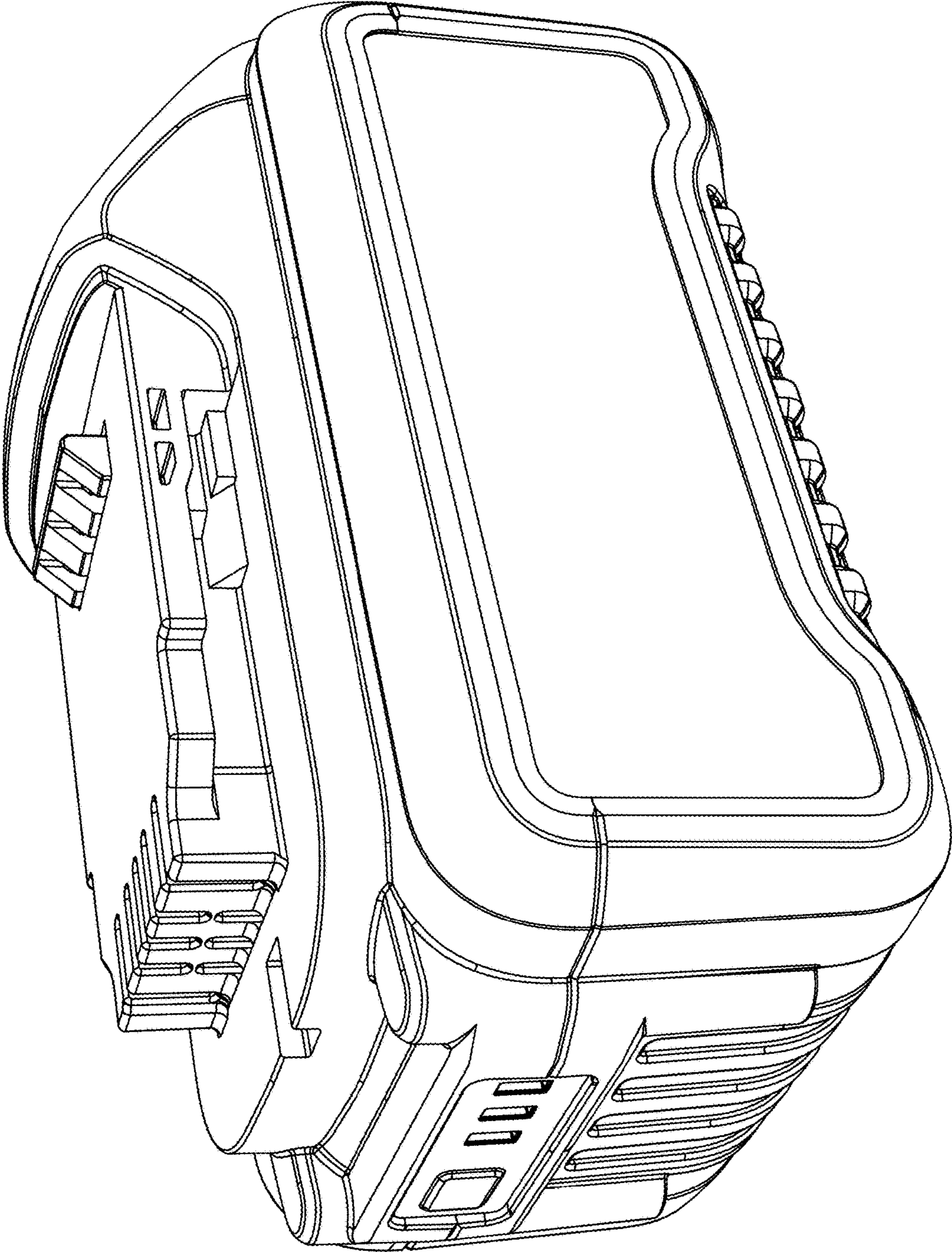


FIG. 8

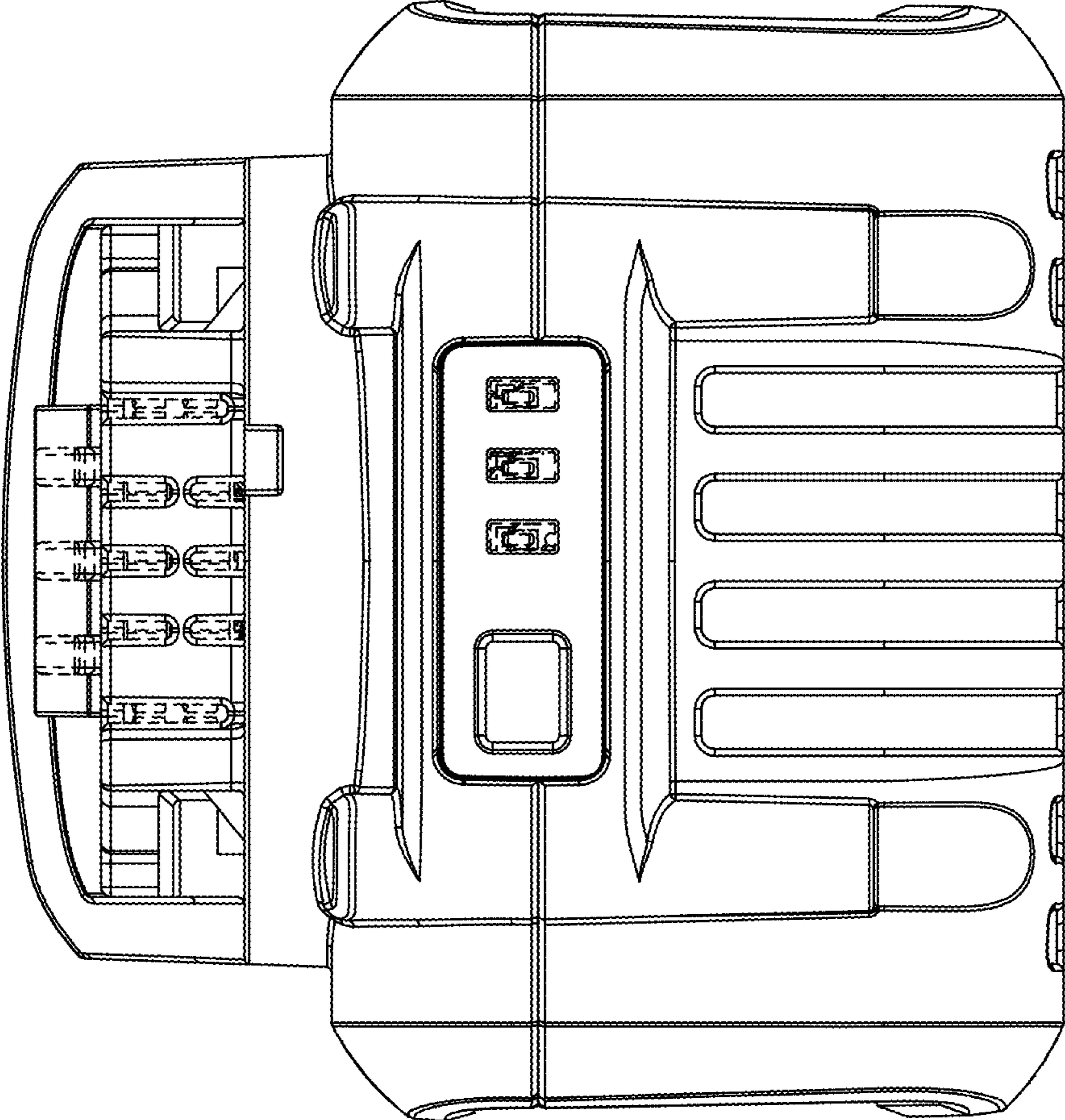


FIG. 9

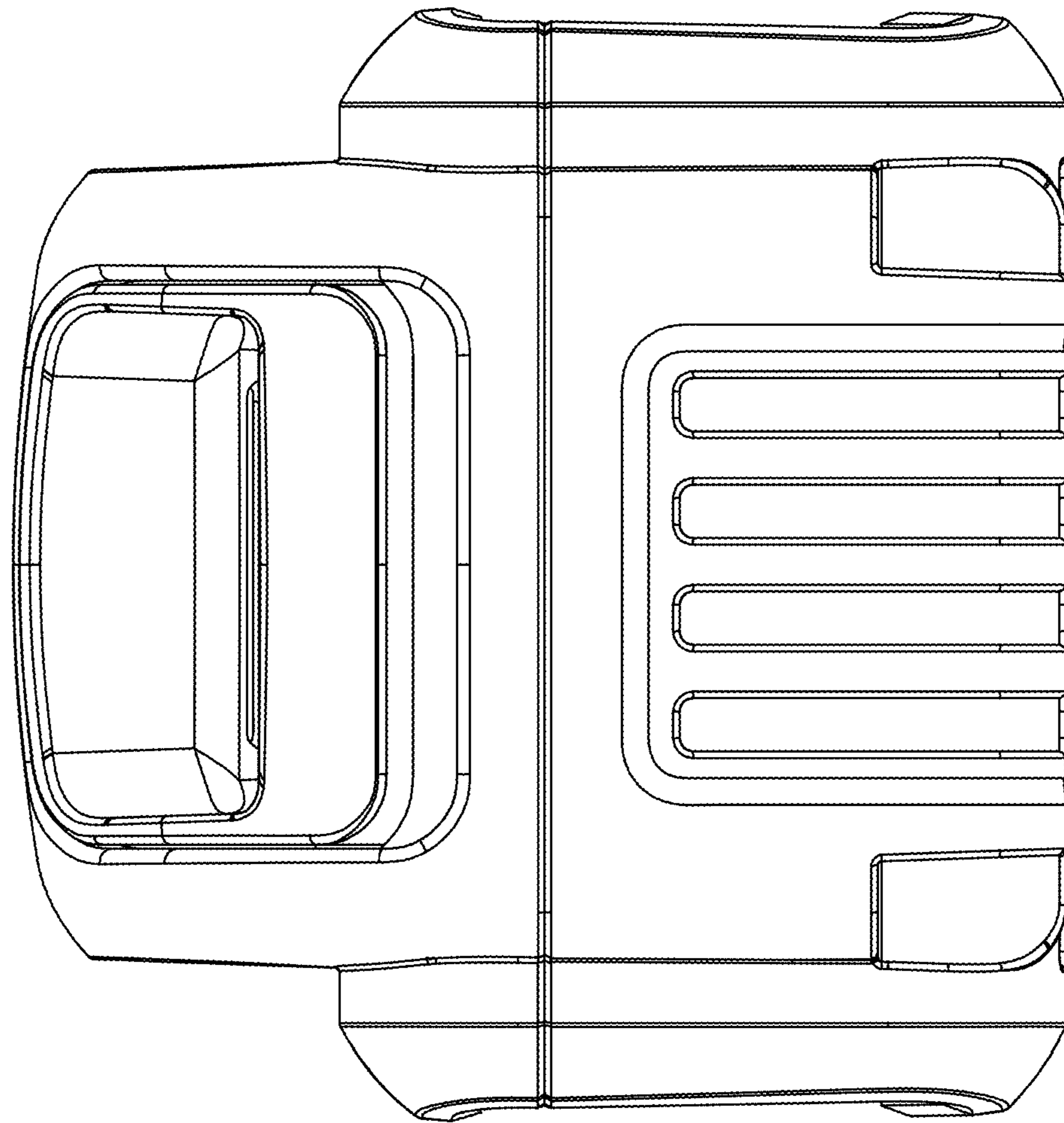


FIG. 10

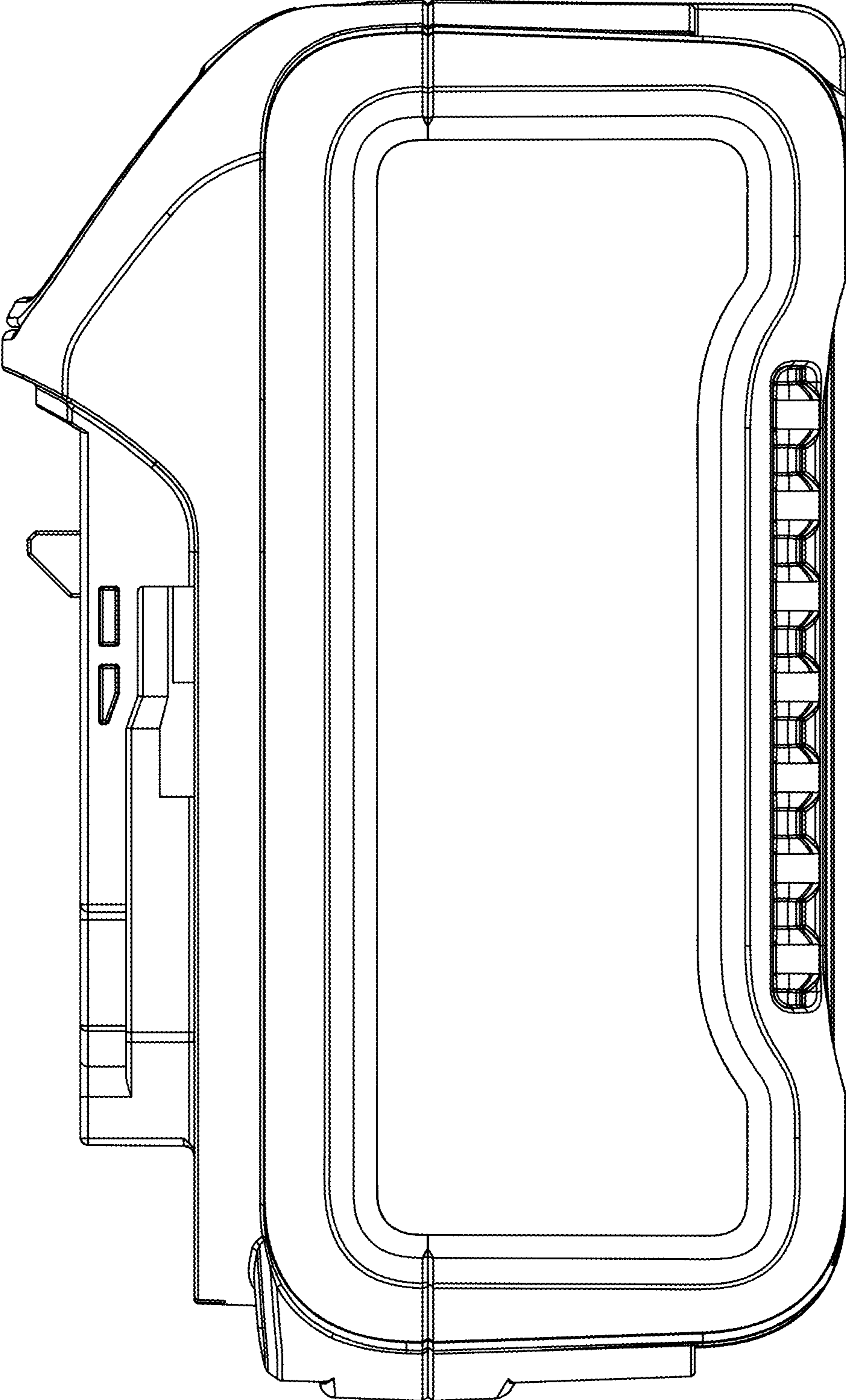


FIG. 11

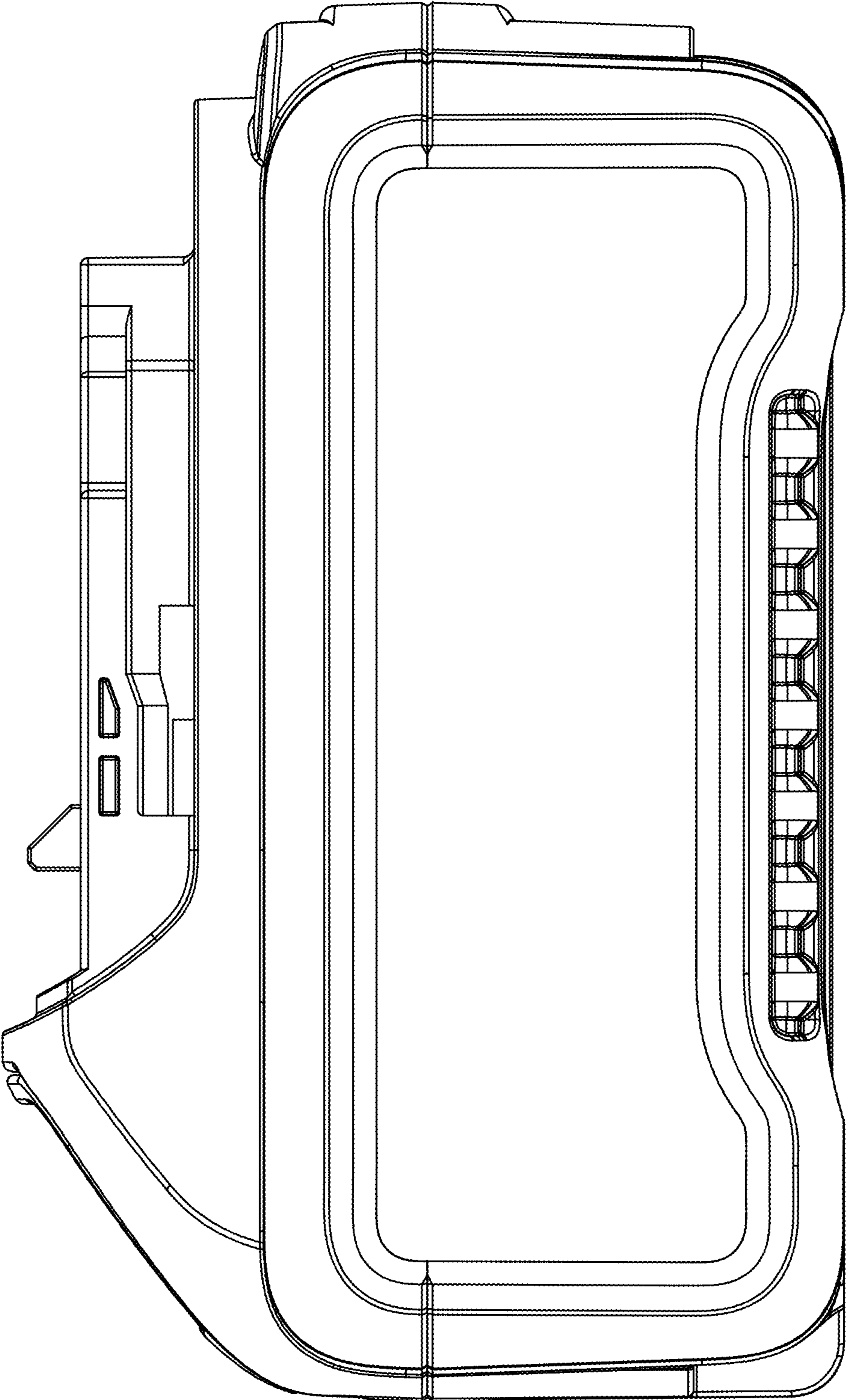


FIG. 12

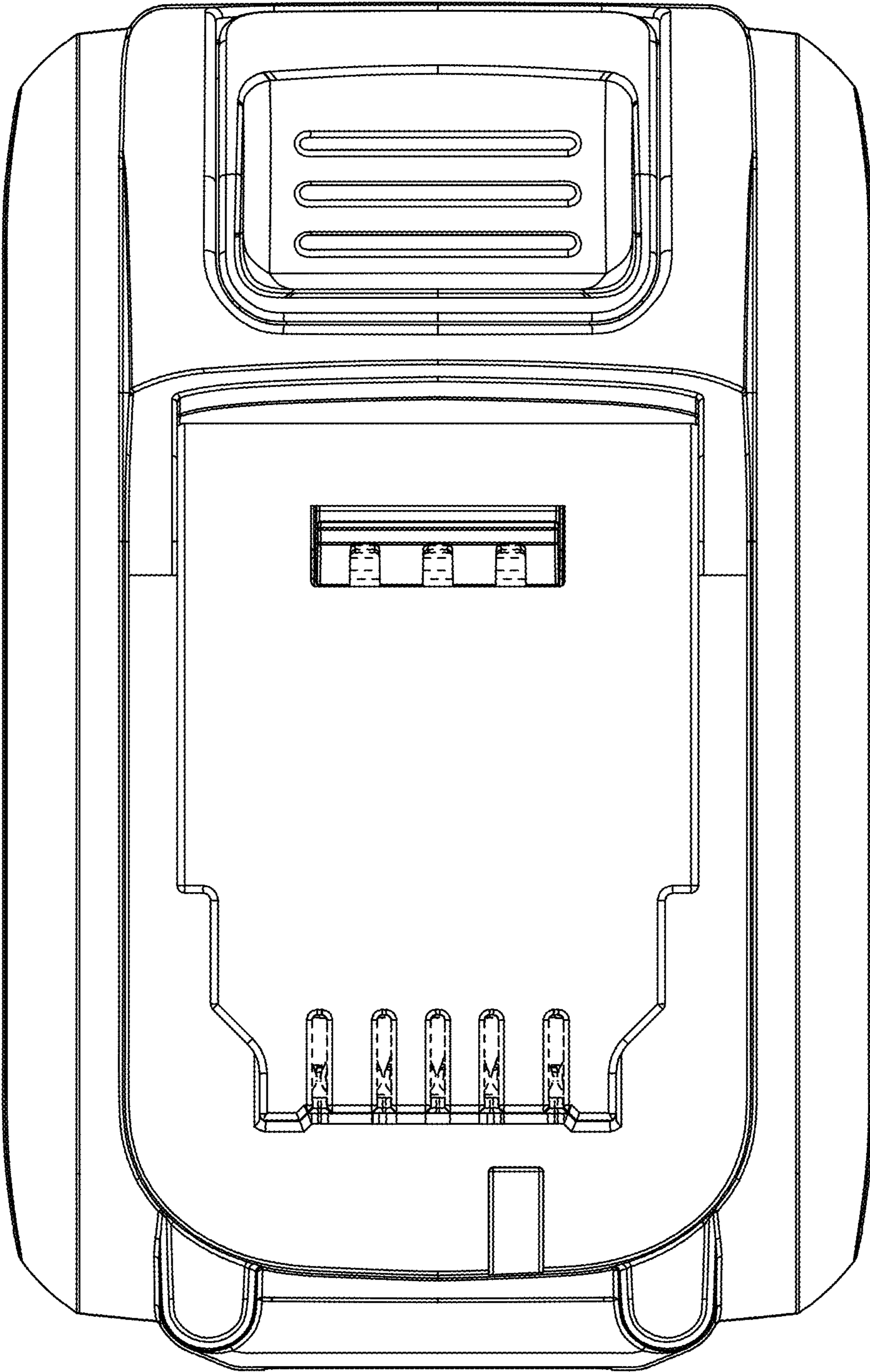


FIG. 13

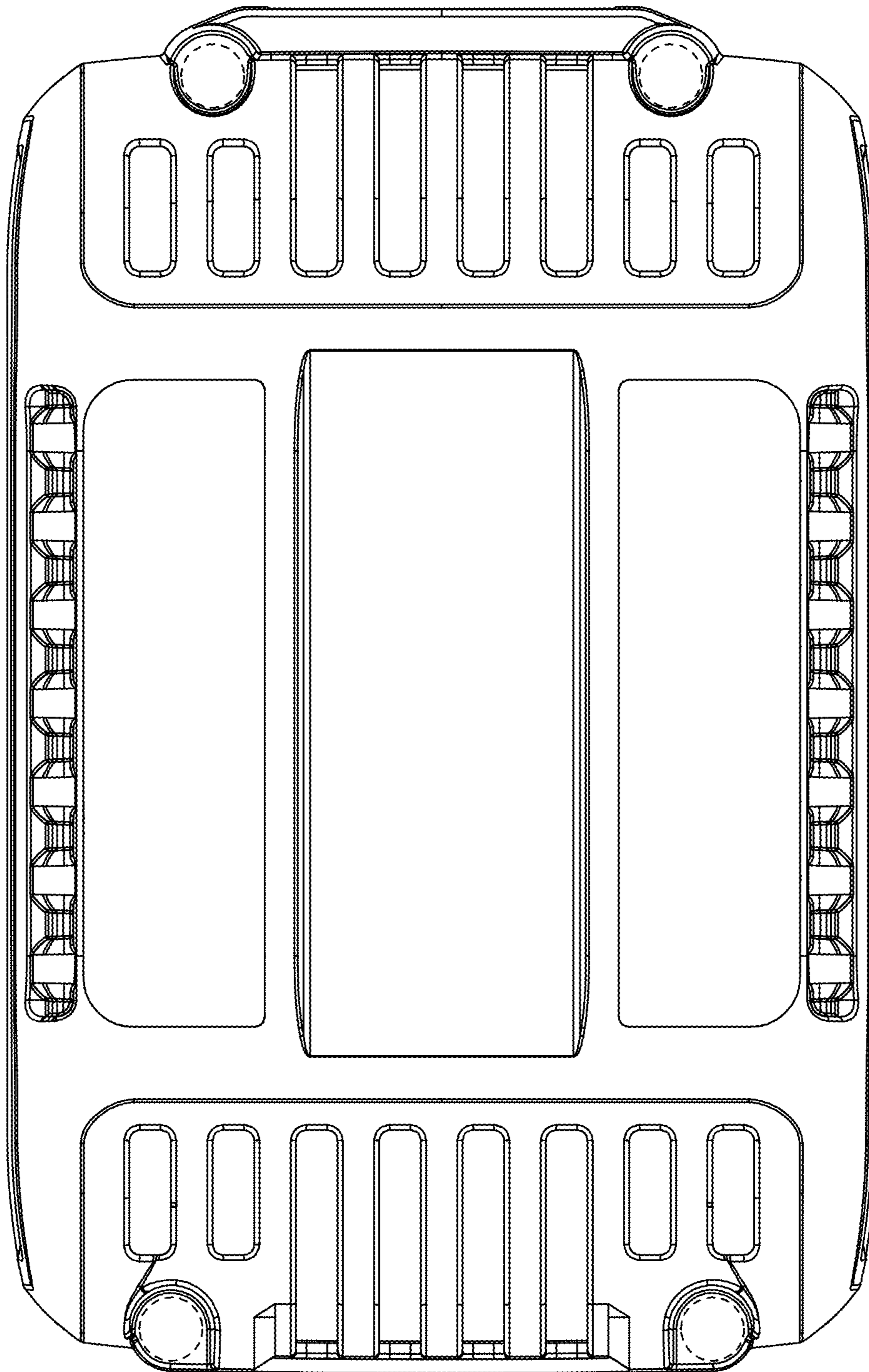


FIG. 14