



US00D812554S

(12) **United States Design Patent**
Gibson et al.

(10) **Patent No.:** **US D812,554 S**
(45) **Date of Patent:** **** Mar. 13, 2018**

(54) **VERTICAL TILED SOLAR MODULE ARTICLE**

(71) Applicant: **SOLARIA CORPORATION**, Fremont, CA (US)

(72) Inventors: **Kevin R. Gibson**, Redwood City, CA (US); **Suvi Sharma**, Fremont, CA (US); **Adam Detrick**, Fremont, CA (US)

(73) Assignee: **SOLARIA CORPORATION**, Fremont, CA (US)

(**) Term: **15 Years**

(21) Appl. No.: **29/589,893**

(22) Filed: **Jan. 5, 2017**

Related U.S. Application Data

(63) Continuation of application No. 29/540,793, filed on Sep. 28, 2015, now abandoned, and a continuation of application No. 14/869,130, filed on Sep. 29, 2015, which is a continuation-in-part of application No. 14/609,307, filed on Jan. 29, 2015.

(51) **LOC (11) Cl.** **13-02**

(52) **U.S. Cl.**
USPC **D13/102**

(58) **Field of Classification Search**
USPC D13/101, 102, 107; 136/206, 244, 251, 136/252; 160/113; 438/72, 80
CPC ... H02S 20/25; H01L 31/0224; H01L 31/125; H01L 31/02167
See application file for complete search history.

(56) **References Cited**

U.S. PATENT DOCUMENTS

D524,727 S * 7/2006 Yamashita D13/102
D543,502 S * 5/2007 Yamashita D13/102

D719,909 S * 12/2014 Iwasaki D13/102
D750,556 S * 3/2016 Morad D13/102
D767,484 S * 9/2016 Morad D13/102
D781,230 S * 3/2017 Gibson D13/102
D784,254 S * 4/2017 Parilla D13/102
D788,027 S * 5/2017 Gibson D13/102

* cited by examiner

Primary Examiner — Daniel Bui
Assistant Examiner — Andrew Kerr

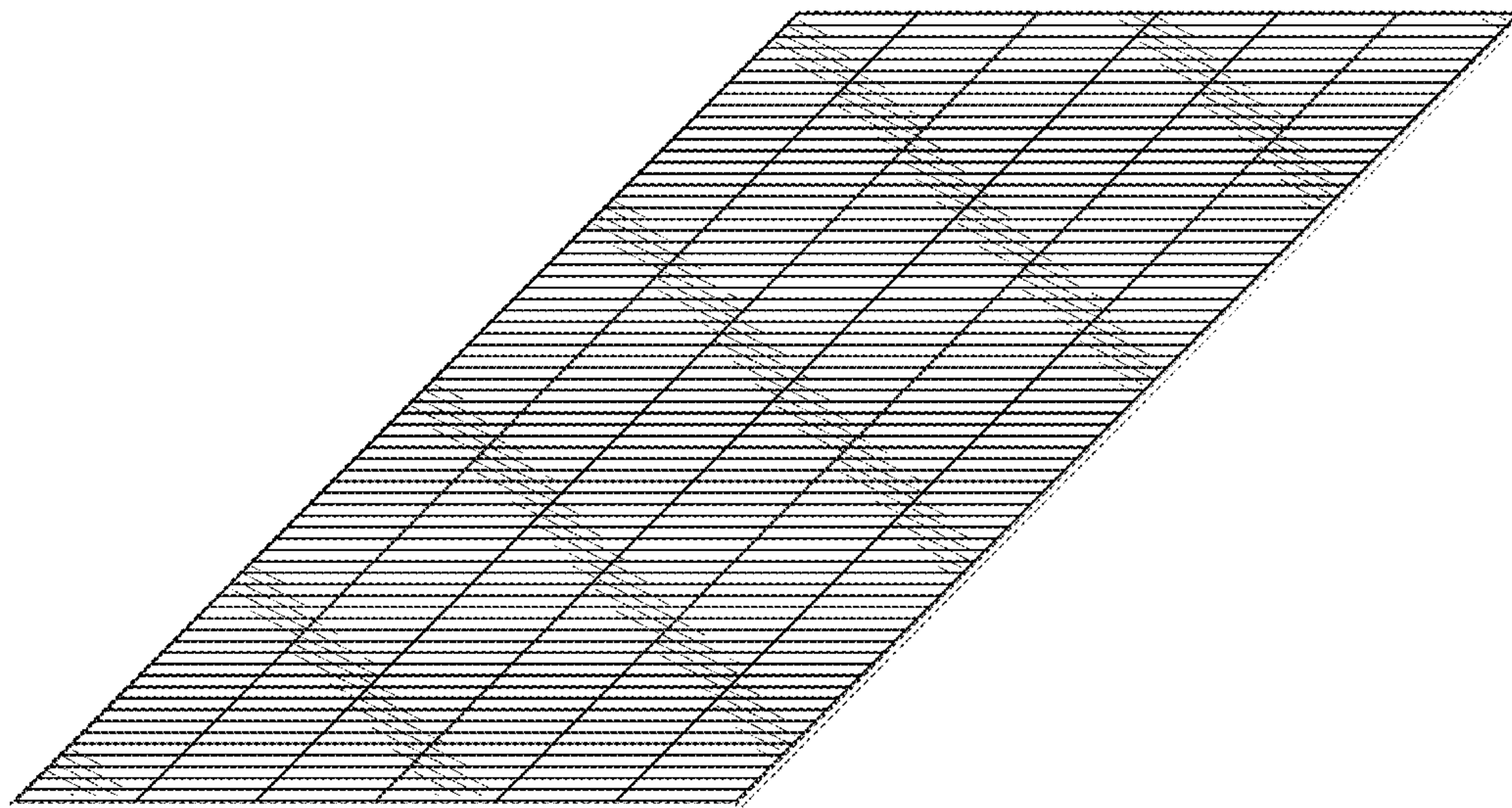
(57) **CLAIM**

The ornamental design for a vertical tiled solar module article, as shown and described.

DESCRIPTION

FIG. 1 is a top perspective view of a vertical tiled solar module article, showing our new design; FIG. 2 is a front elevation view thereof; FIG. 3 is a rear elevation view thereof; FIG. 4 is a left side elevation view thereof; FIG. 5 is a right side elevation view thereof; FIG. 6 is a top plan view thereof; FIG. 7 is a bottom plan view thereof; FIG. 8 is a top perspective view thereof, in use condition; FIG. 9 is a front elevation view thereof, in use condition; FIG. 10 is a rear elevation view thereof, in use condition; FIG. 11 is a left side elevation view thereof, in use condition; FIG. 12 is a right side elevation view thereof, in use condition; FIG. 13 is a top plan view thereof, in use condition; FIG. 14 is a bottom plan view thereof, in use condition; and, FIG. 15 is a top perspective view thereof, in use condition. The broken lines in the drawing views represent unclaimed portions of a vertical tiled solar module article which are included for the purpose of illustrating unclaimed environment only, and forms no part of the claimed design.

1 Claim, 9 Drawing Sheets



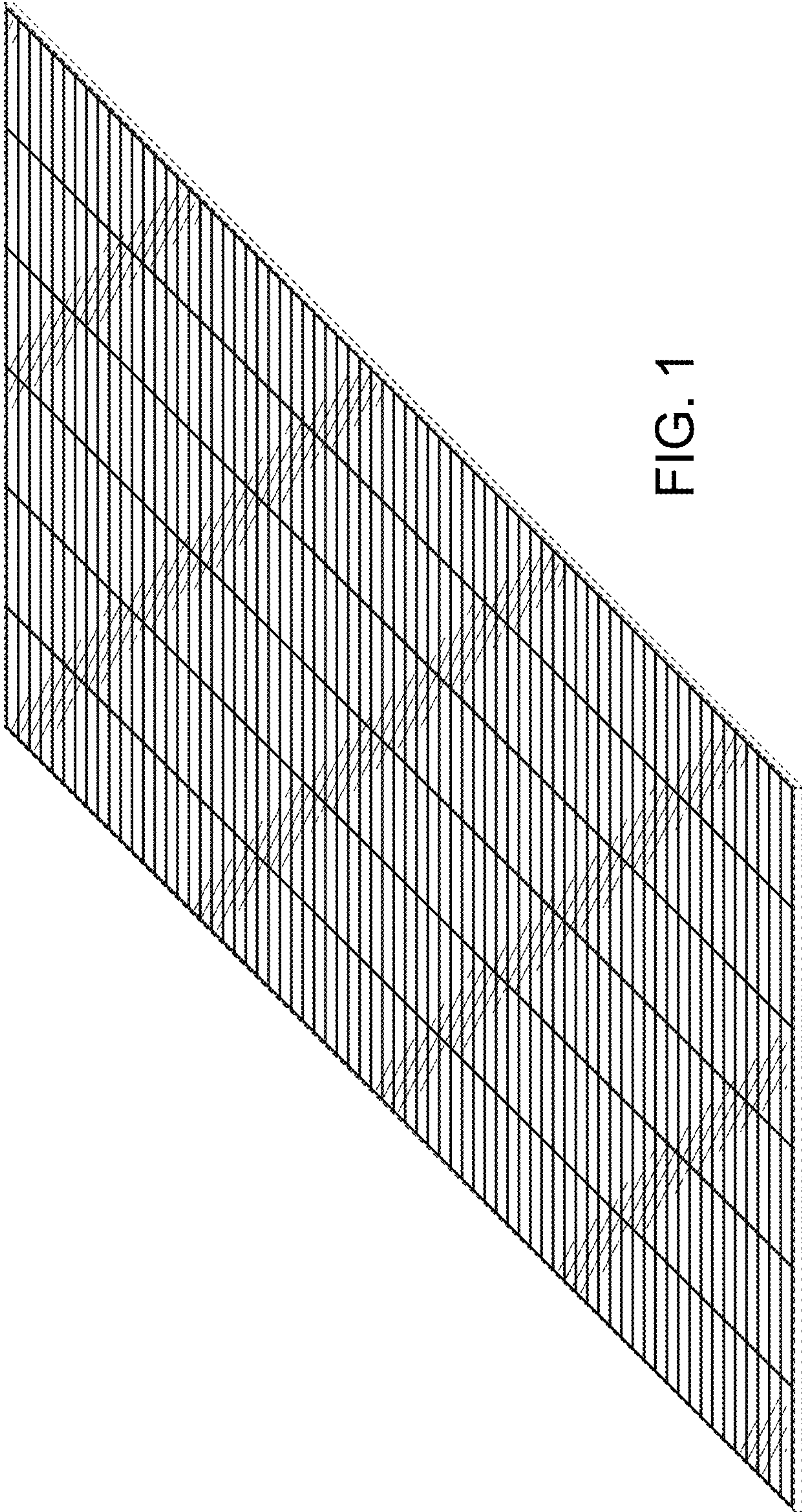


FIG. 1

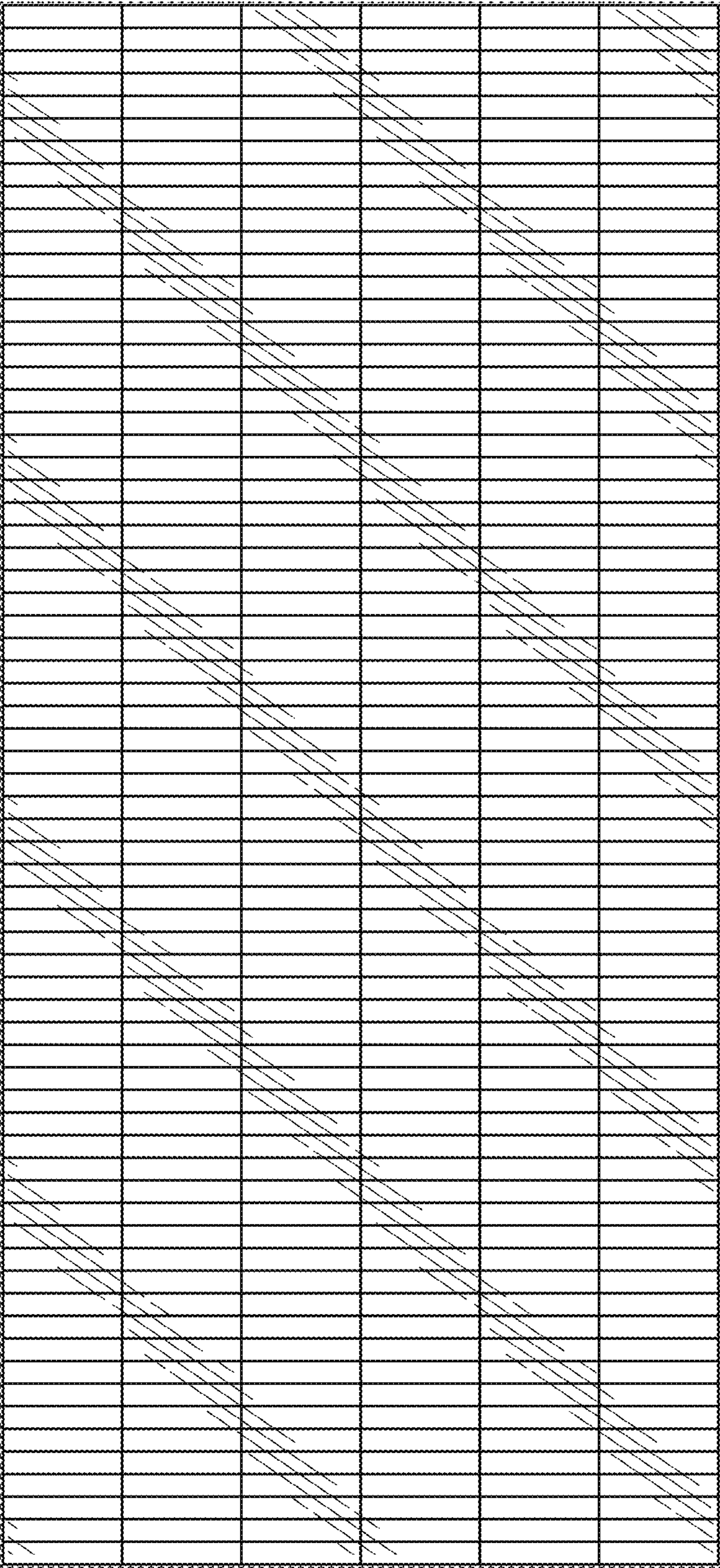


FIG. 2



FIG. 3



FIG. 4



FIG. 5



FIG. 6



FIG. 7

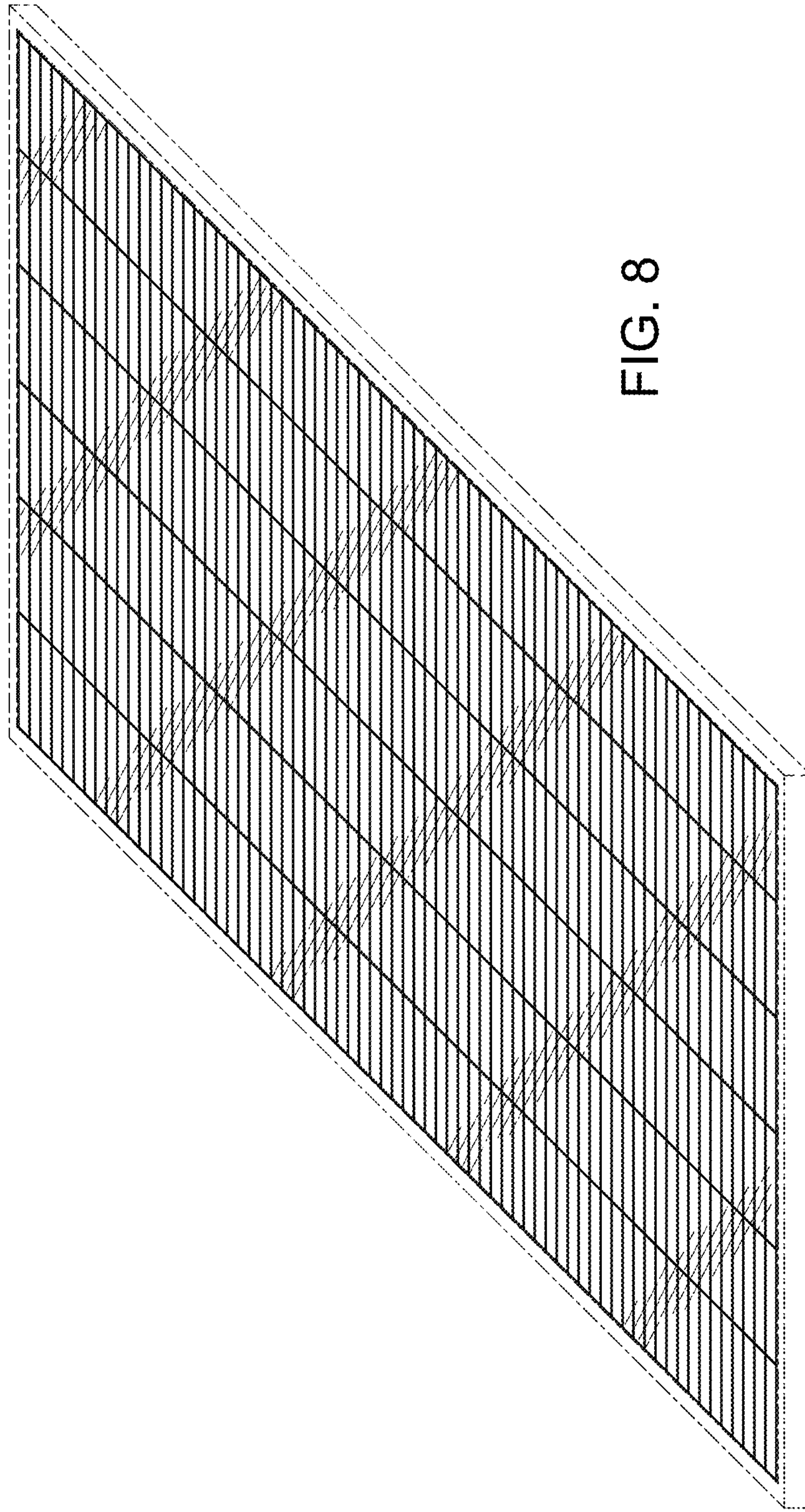


FIG. 8

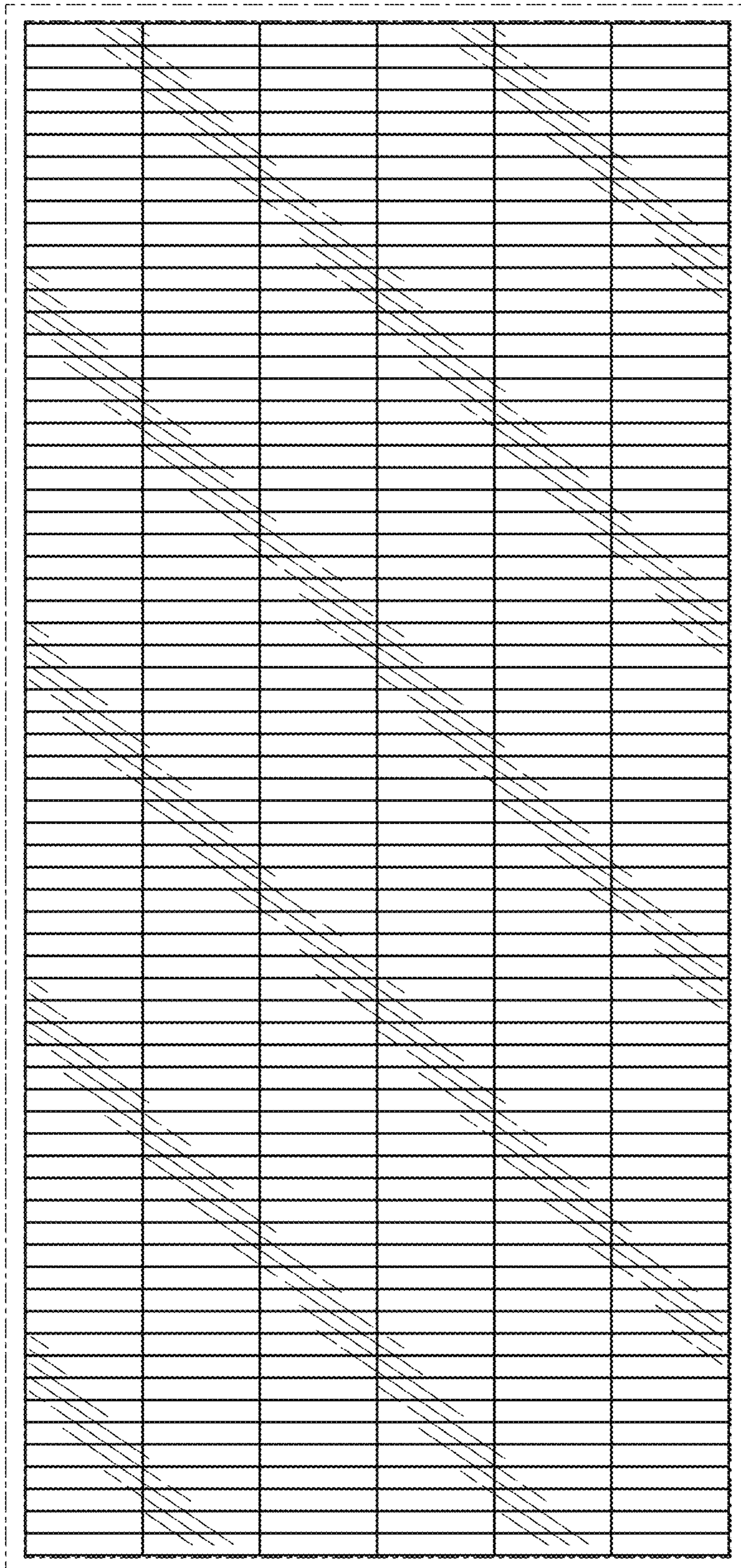


FIG. 9

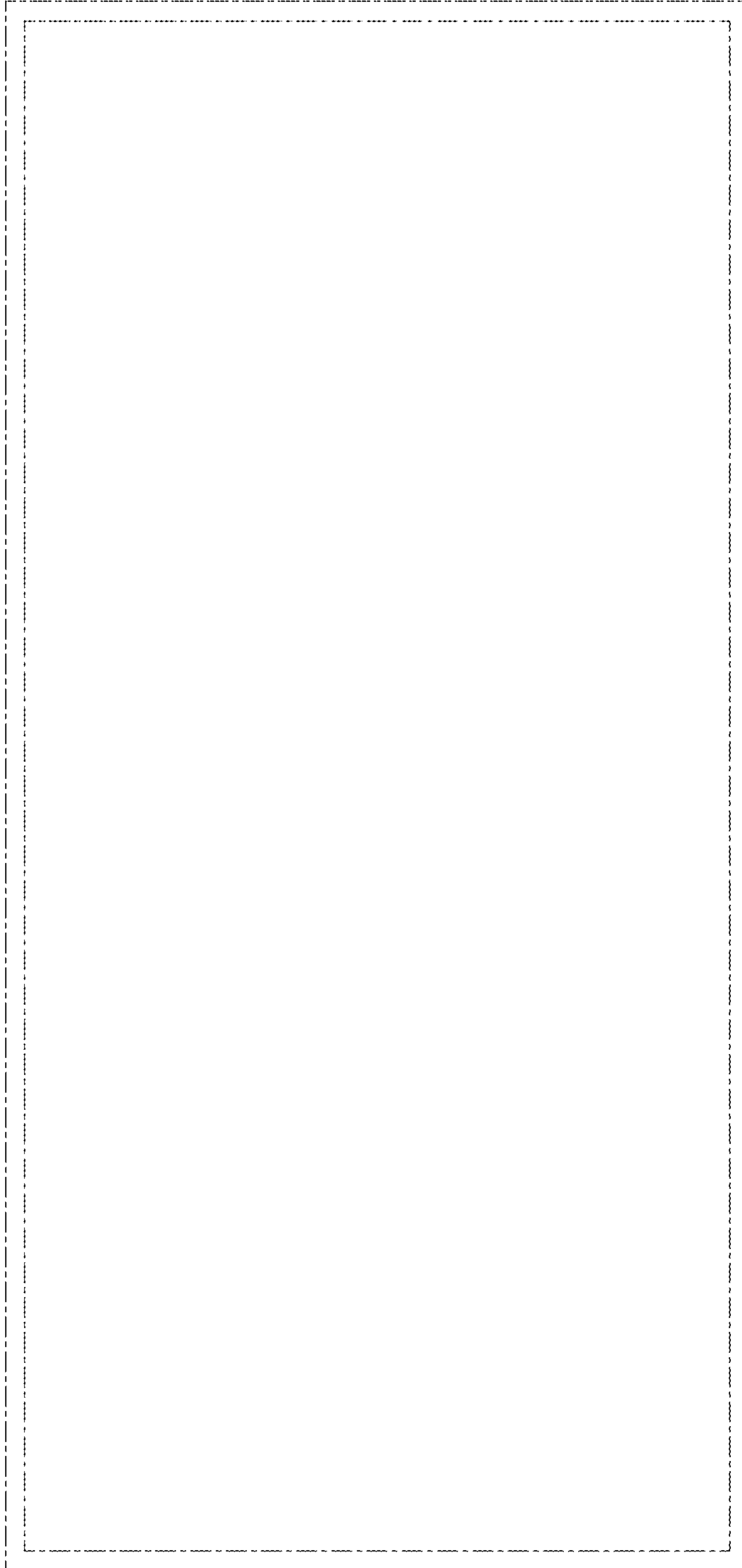


FIG. 10

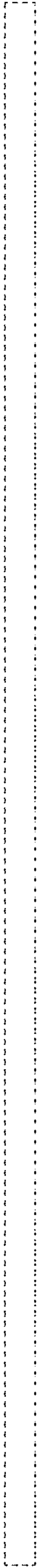


FIG. 11



FIG. 12



FIG. 13



FIG. 14

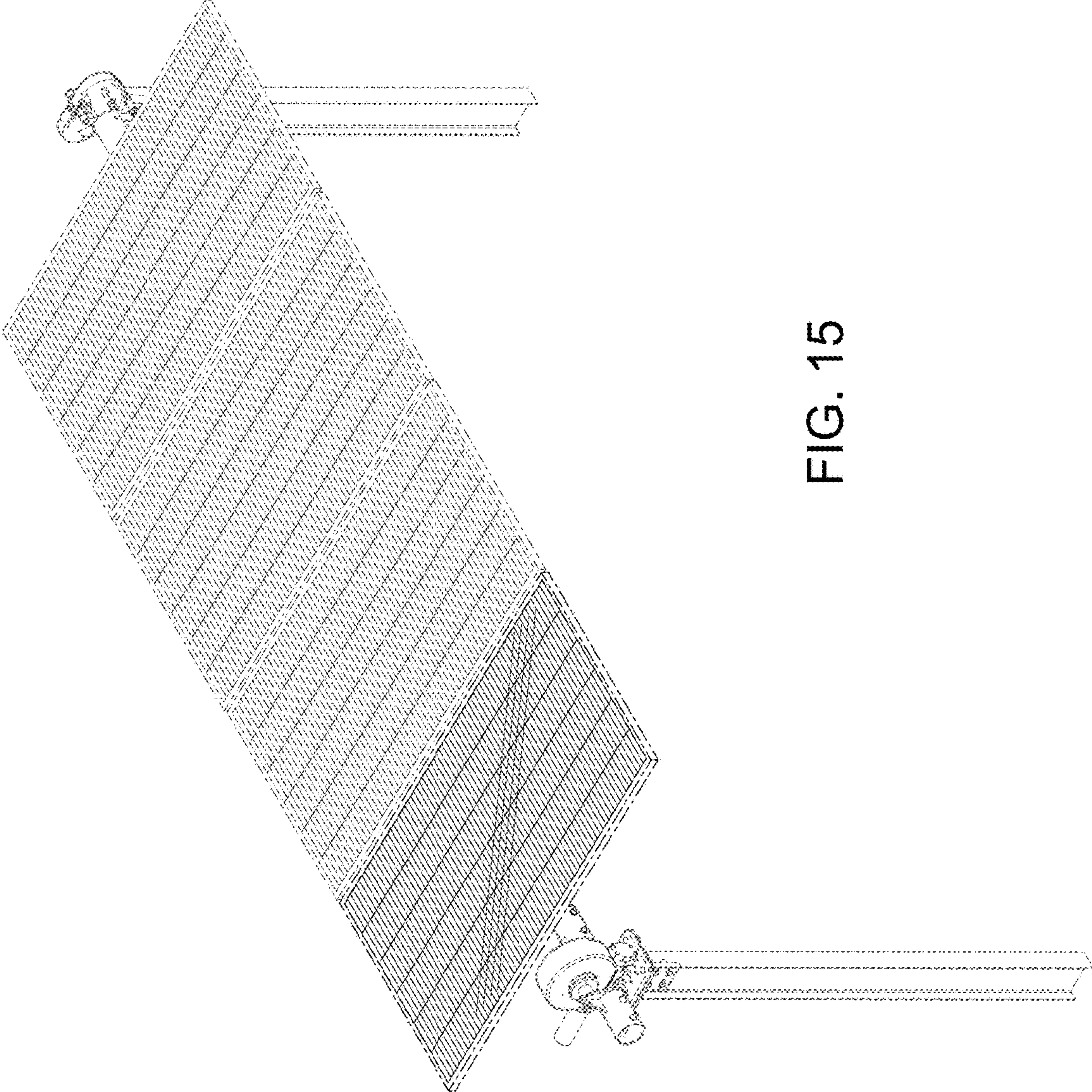


FIG. 15