



US00D812545S

(12) **United States Design Patent**  
**Donohoe**

(10) **Patent No.:** **US D812,545 S**  
(45) **Date of Patent:** **\*\* Mar. 13, 2018**

(54) **VEHICLE TOP**

(71) Applicant: **Gregory Donohoe**, Tempe, AZ (US)

(72) Inventor: **Gregory Donohoe**, Tempe, AZ (US)

(73) Assignee: **Gregory Donohoe**, Gilbert, AZ (US)

(\*\*) Term: **15 Years**

(21) Appl. No.: **29/553,334**

(22) Filed: **Jan. 31, 2016**

(51) **LOC (11) Cl.** ..... **12-16**

(52) **U.S. Cl.**  
USPC ..... **D12/404**

(58) **Field of Classification Search**  
USPC ..... D12/401-405  
CPC ..... A47D 15/00; A47C 7/66; A47C 31/00;  
A47G 9/068  
See application file for complete search history.

(56) **References Cited**

**U.S. PATENT DOCUMENTS**

D342,470 S \* 12/1993 Lomax, Jr. .... D12/405  
D356,773 S \* 3/1995 Lange ..... D12/300

D549,638 S \* 8/2007 Hughes ..... D12/401  
D578,465 S \* 10/2008 Kosaka ..... D12/401  
D593,926 S \* 6/2009 Buck ..... D12/404  
D602,417 S \* 10/2009 Connors ..... D12/401  
8,622,457 B1 \* 1/2014 McIntire ..... B60J 7/106  
280/756  
D728,450 S \* 5/2015 Yen ..... D12/401  
D736,690 S \* 8/2015 Bennett ..... D12/401  
D765,013 S \* 8/2016 Hindelang ..... D12/401  
9,522,591 B1 \* 12/2016 Bowles ..... B60J 10/90

\* cited by examiner

*Primary Examiner* — Katrina A Betton

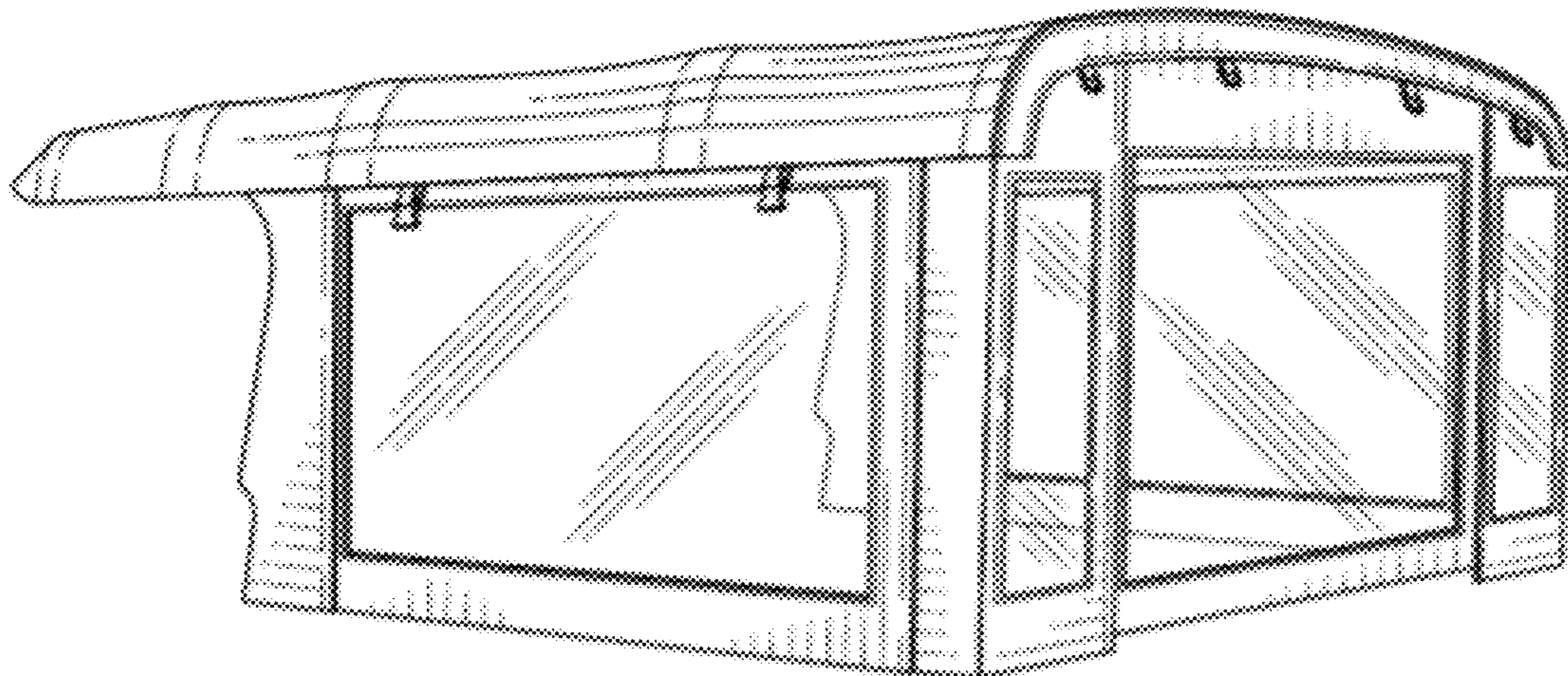
(57) **CLAIM**

The ornamental design for the vehicle top, as shown and described.

**DESCRIPTION**

FIG. 1 is a rear-perspective view of a vehicle top showing my new design;  
FIG. 2 is a rear-perspective view of the vehicle top;  
FIG. 3 is a rear view of the vehicle top;  
FIG. 4 is a side view of the vehicle top;  
FIG. 5 is a top view of the vehicle top; and,  
FIG. 6 is a bottom view of the vehicle top.  
In the drawings, the broken lines depict portions of the vehicle that form no part of the claimed design.

**1 Claim, 6 Drawing Sheets**



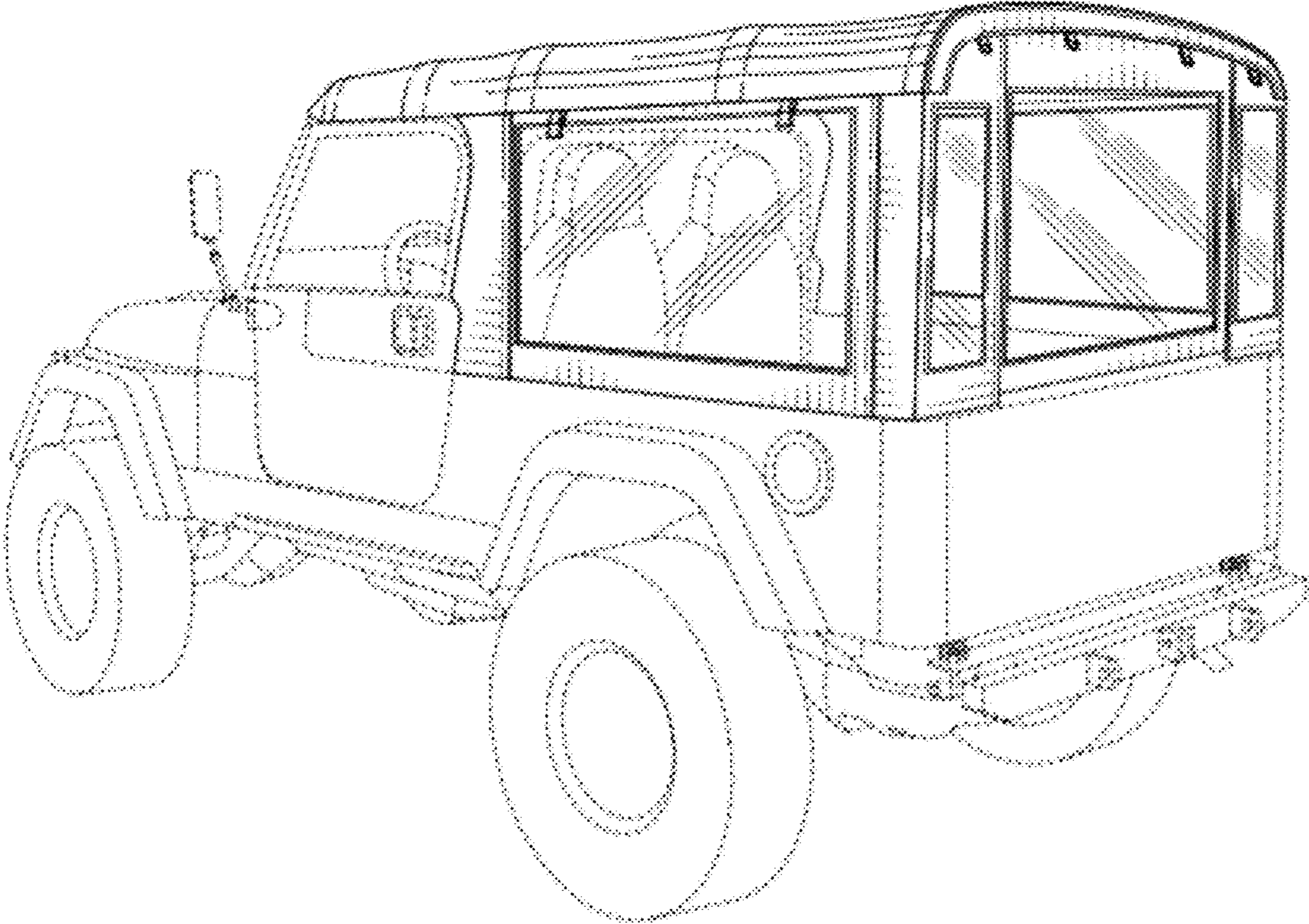


FIG. 1

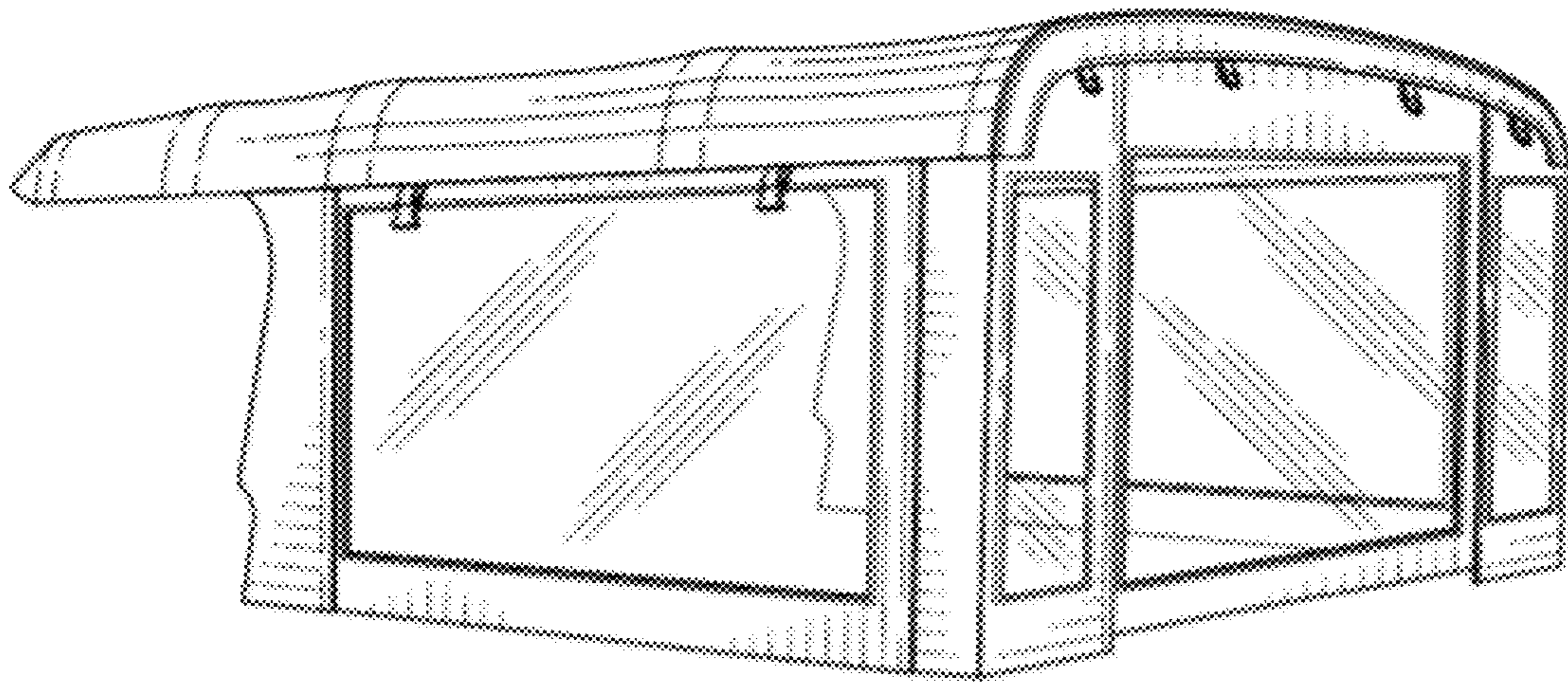


FIG. 2

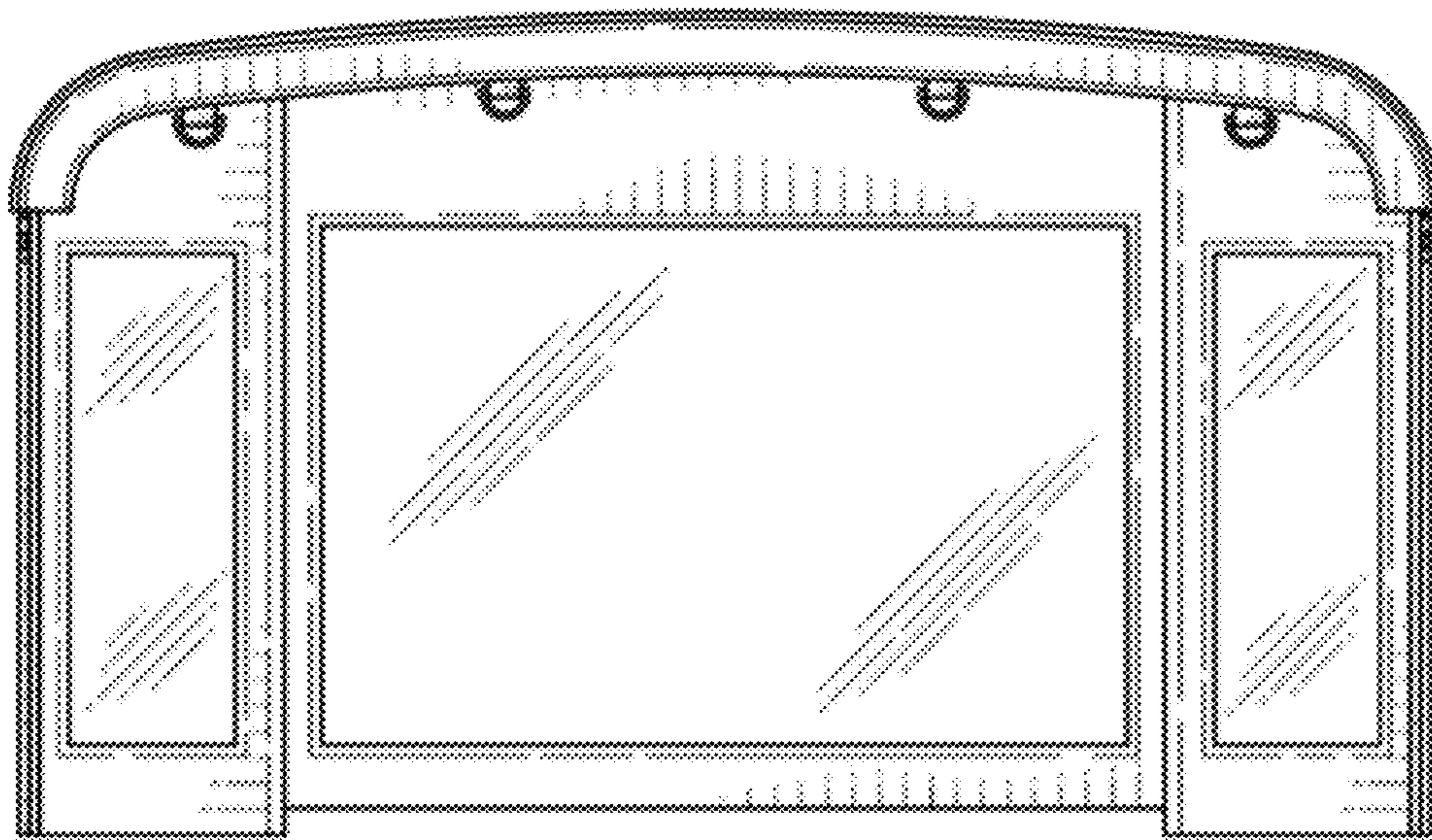


FIG. 3

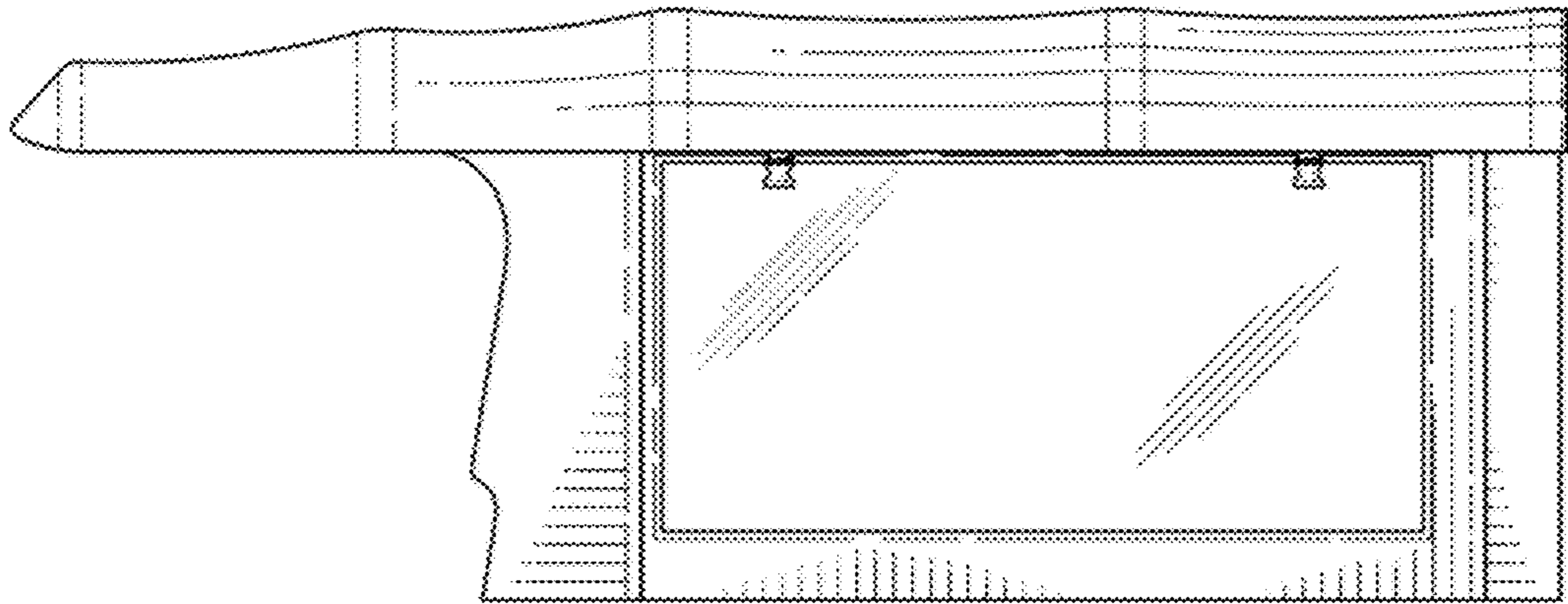


FIG. 4

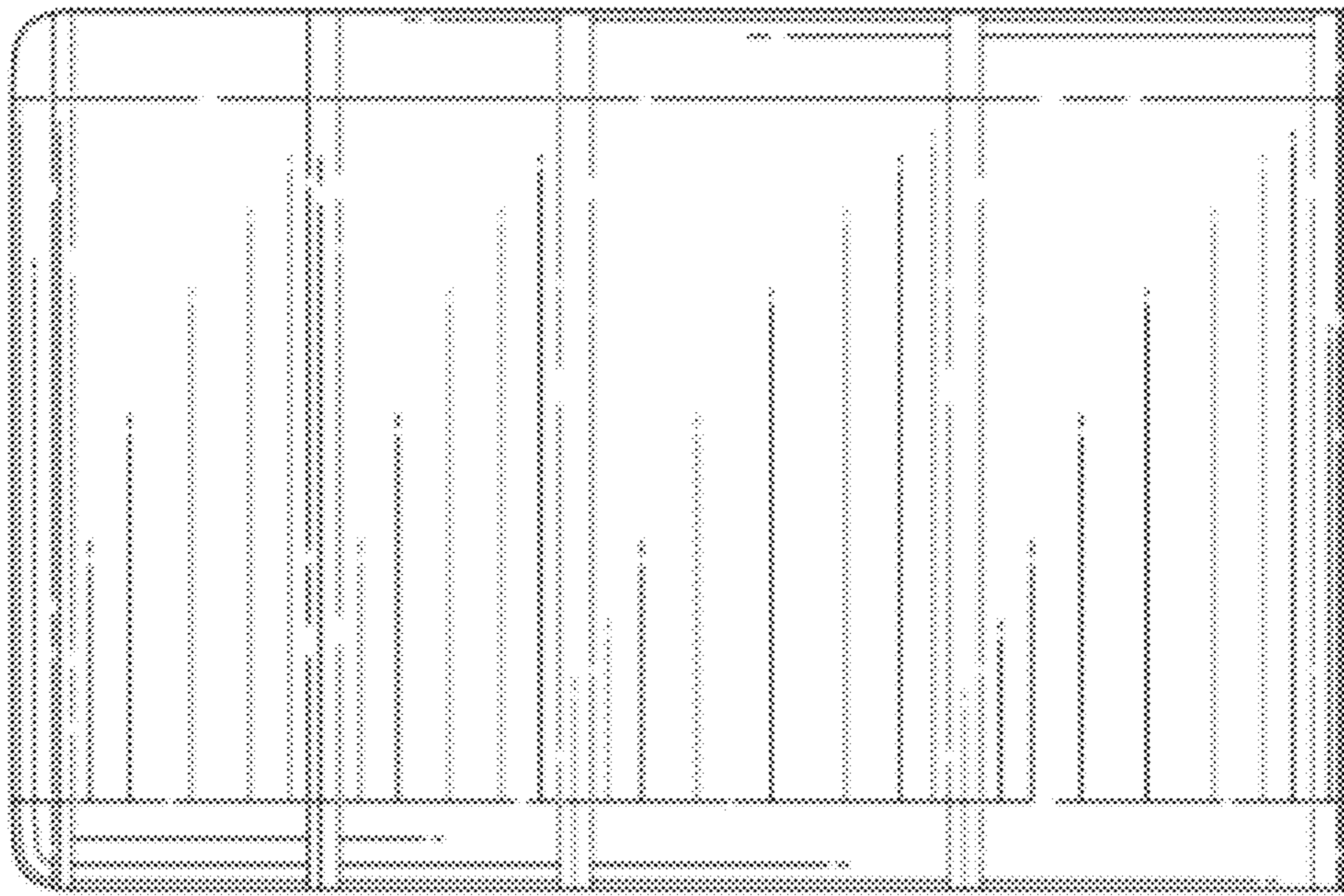


FIG. 5

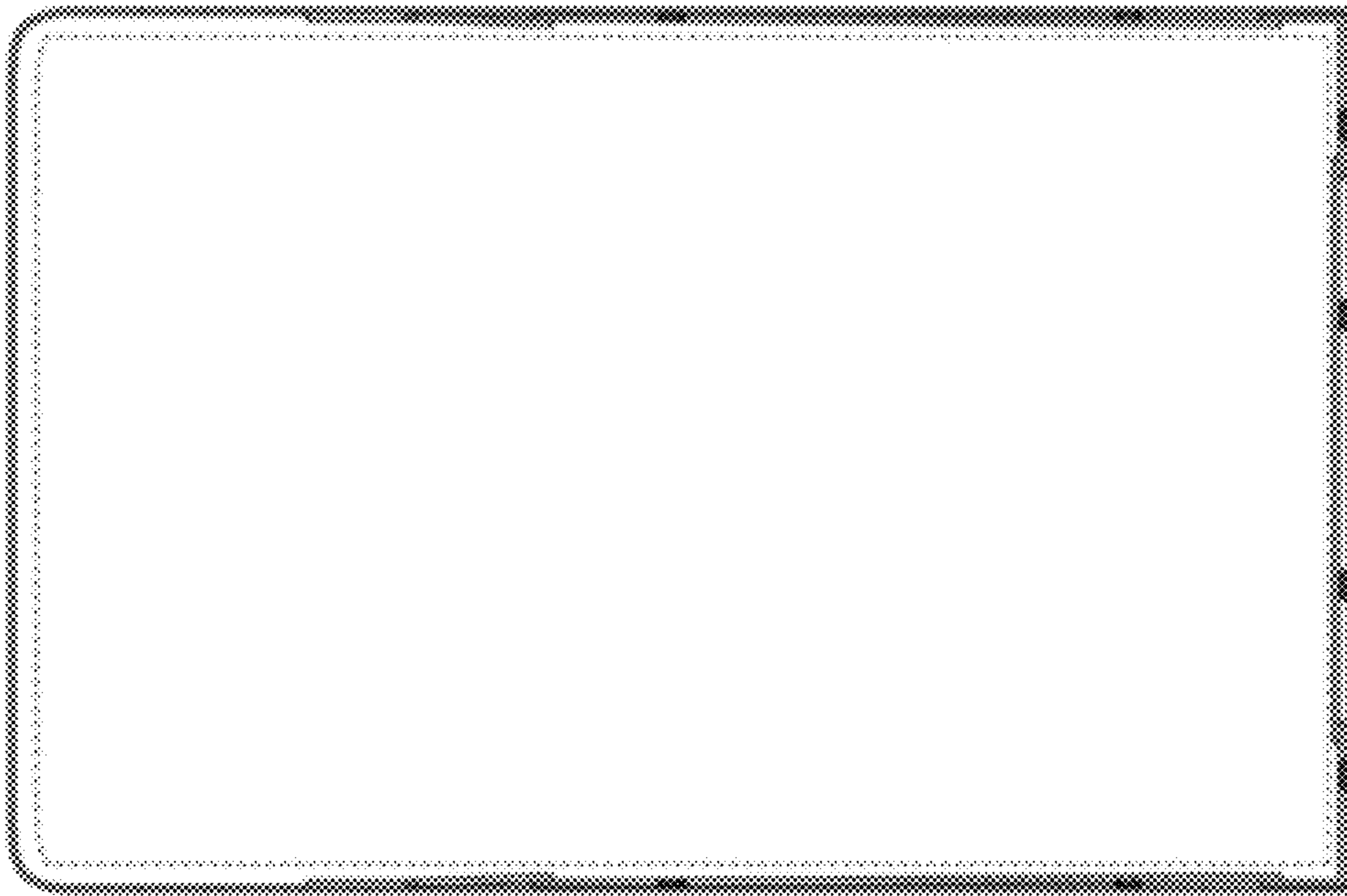


FIG. 6