



US00D812542S

(12) **United States Design Patent**
LaPant

(10) **Patent No.:** **US D812,542 S**
(45) **Date of Patent:** **** Mar. 13, 2018**

- (54) **AUXILIARY GAS TANK**
- (71) Applicant: **Todd LaPant**, Chico, CA (US)
- (72) Inventor: **Todd LaPant**, Chico, CA (US)
- (**) Term: **15 Years**
- (21) Appl. No.: **29/558,739**
- (22) Filed: **Mar. 21, 2016**
- (51) **LOC (11) Cl.** **12-16**
- (52) **U.S. Cl.**
USPC **D12/218**
- (58) **Field of Classification Search**
USPC D12/110, 197, 218, 223; D9/435-454;
D15/17, 28
CPC B60K 15/03; B60K 15/07; B62J 35/00;
B62K 11/00; B62K 11/04
See application file for complete search history.

D638,778 S *	5/2011	Giddens	D12/414
D695,202 S *	12/2013	Forsberg	D12/218
D717,721 S *	11/2014	Guaresimo	D12/414
D744,393 S *	12/2015	Carroll	D12/179
D744,934 S *	12/2015	McAvey	D12/218
D751,023 S *	3/2016	Hennen	D12/218
D752,706 S *	3/2016	LaPant	D23/202
D766,810 S *	9/2016	Haun	D12/414.1
D785,778 S *	5/2017	Gibb	D23/499
2004/0080248 A1 *	4/2004	Klusmeier	B60R 9/00 312/348.3

* cited by examiner

Primary Examiner — Darlington Ly
(74) *Attorney, Agent, or Firm* — Eric Hanscom

(57) **CLAIM**

The ornamental design for an auxiliary gas tank, as shown and described.

(56) **References Cited**

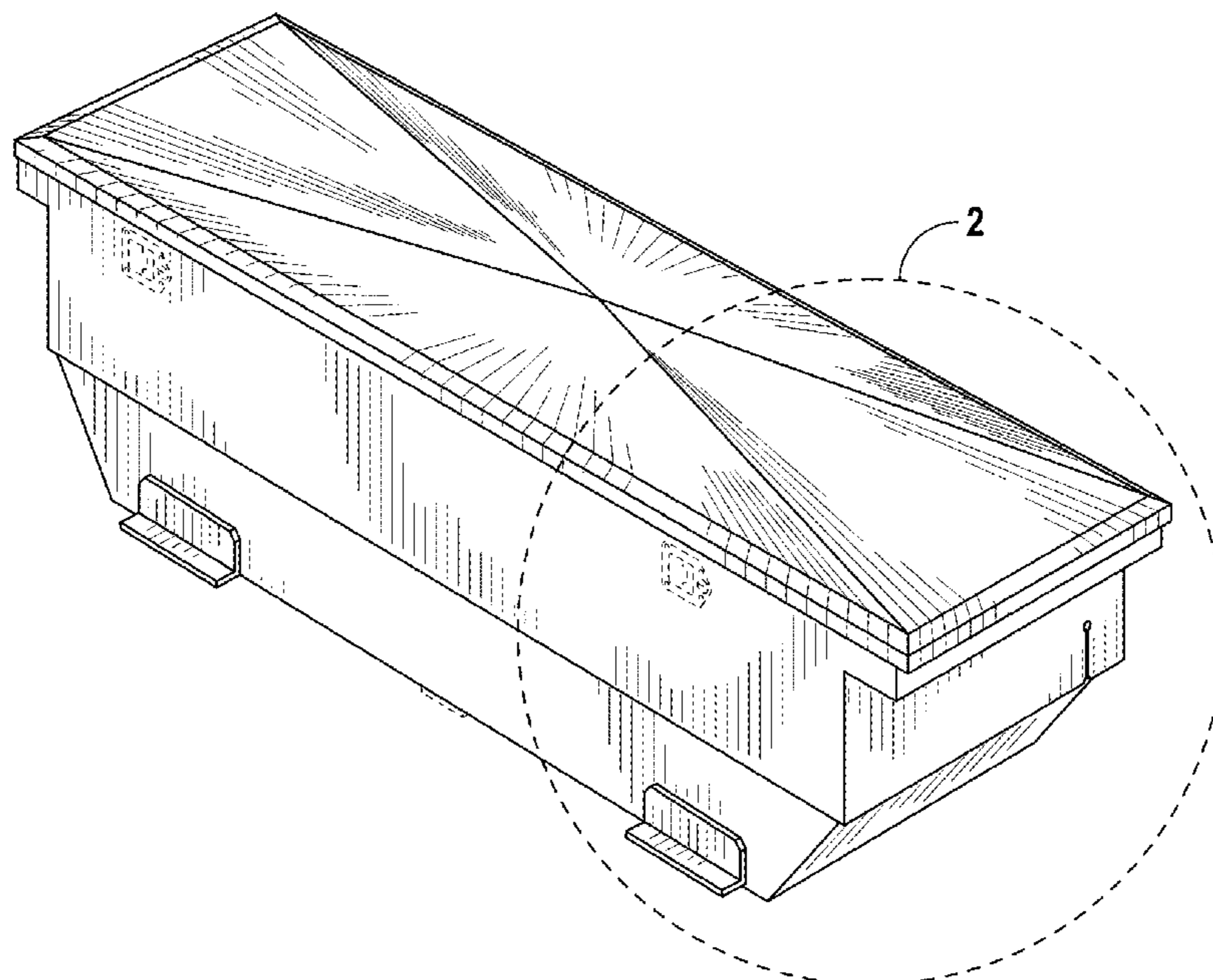
U.S. PATENT DOCUMENTS

D235,583 S *	6/1975	Parry	D12/218
D238,940 S *	2/1976	Graeper	D12/218
D238,941 S *	2/1976	Graeper	D12/218
D282,921 S *	3/1986	Eureka	D12/218
D372,454 S *	8/1996	Murray, Sr.	D12/218
D378,671 S *	4/1997	Herrs	D12/414.1
D379,995 S *	6/1997	Gilmore	D15/1
6,502,868 B1 *	1/2003	Laspa	B25H 3/02 292/11
D488,428 S *	4/2004	Greene	D12/414.1
6,886,861 B2 *	5/2005	Marsala	B60K 15/01 280/830
D540,737 S *	4/2007	Bogard	D12/414.1
7,416,228 B2 *	8/2008	Pfizinger	E05B 15/0046 292/214
D597,019 S *	7/2009	Zarza	D12/414.1

DESCRIPTION

FIG. 1 is a top, front, and right side perspective of an auxiliary gas tank showing my new design;
 FIG. 2 is an enlargement perspective view thereof, where the area of enlargement is indicated by the broken line bubble in FIG. 1;
 FIG. 3 is a front elevation view thereof;
 FIG. 4 is a rear elevation view thereof;
 FIG. 5 is a left side elevation view thereof;
 FIG. 6 is a right side elevation view thereof;
 FIG. 7 is a top plan view thereof; and,
 FIG. 8 is a bottom plan view thereof.
 The broken lines in the drawings illustrate portions of the auxiliary gas tank that form no part of the claimed design.

1 Claim, 5 Drawing Sheets



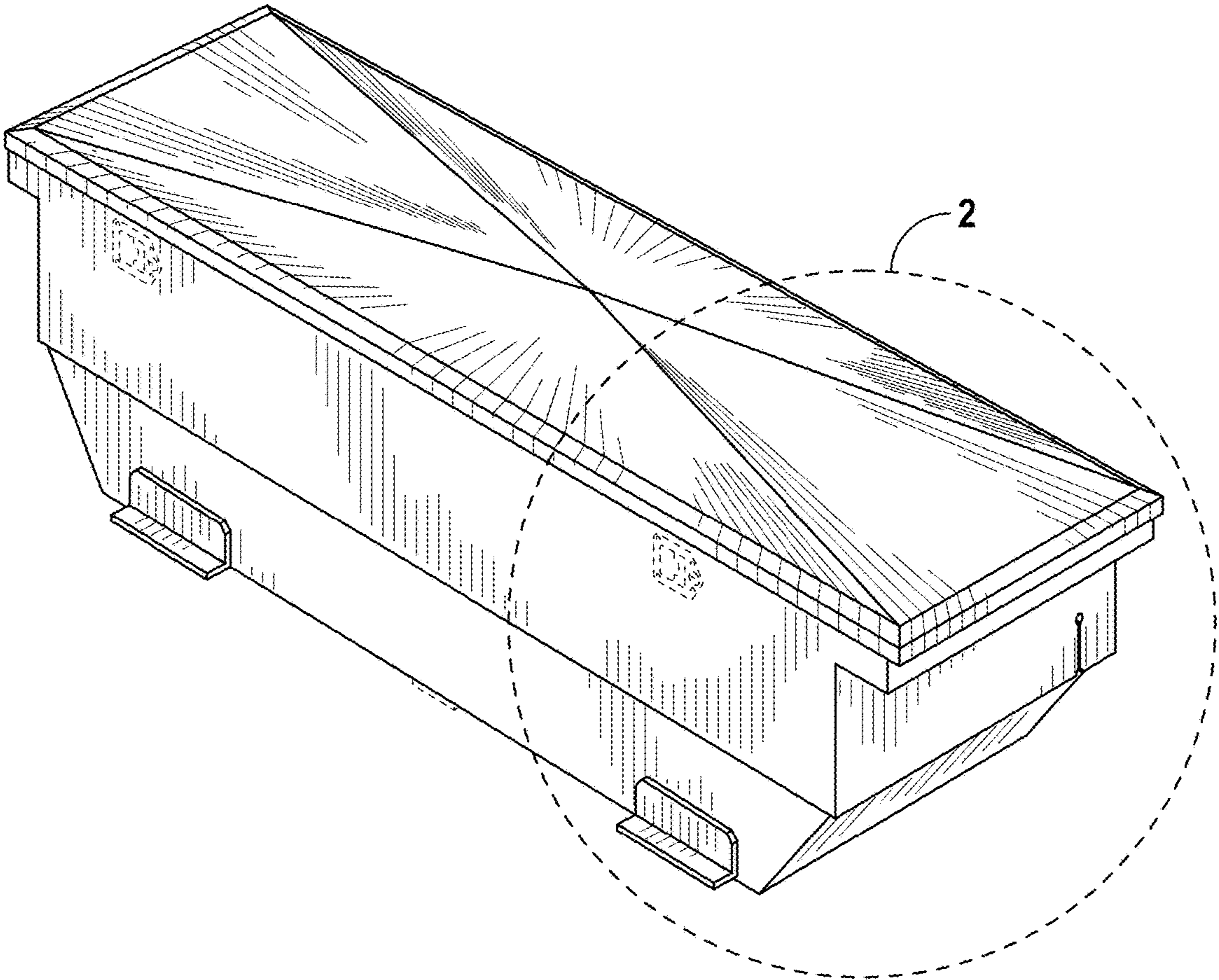


FIG. 1

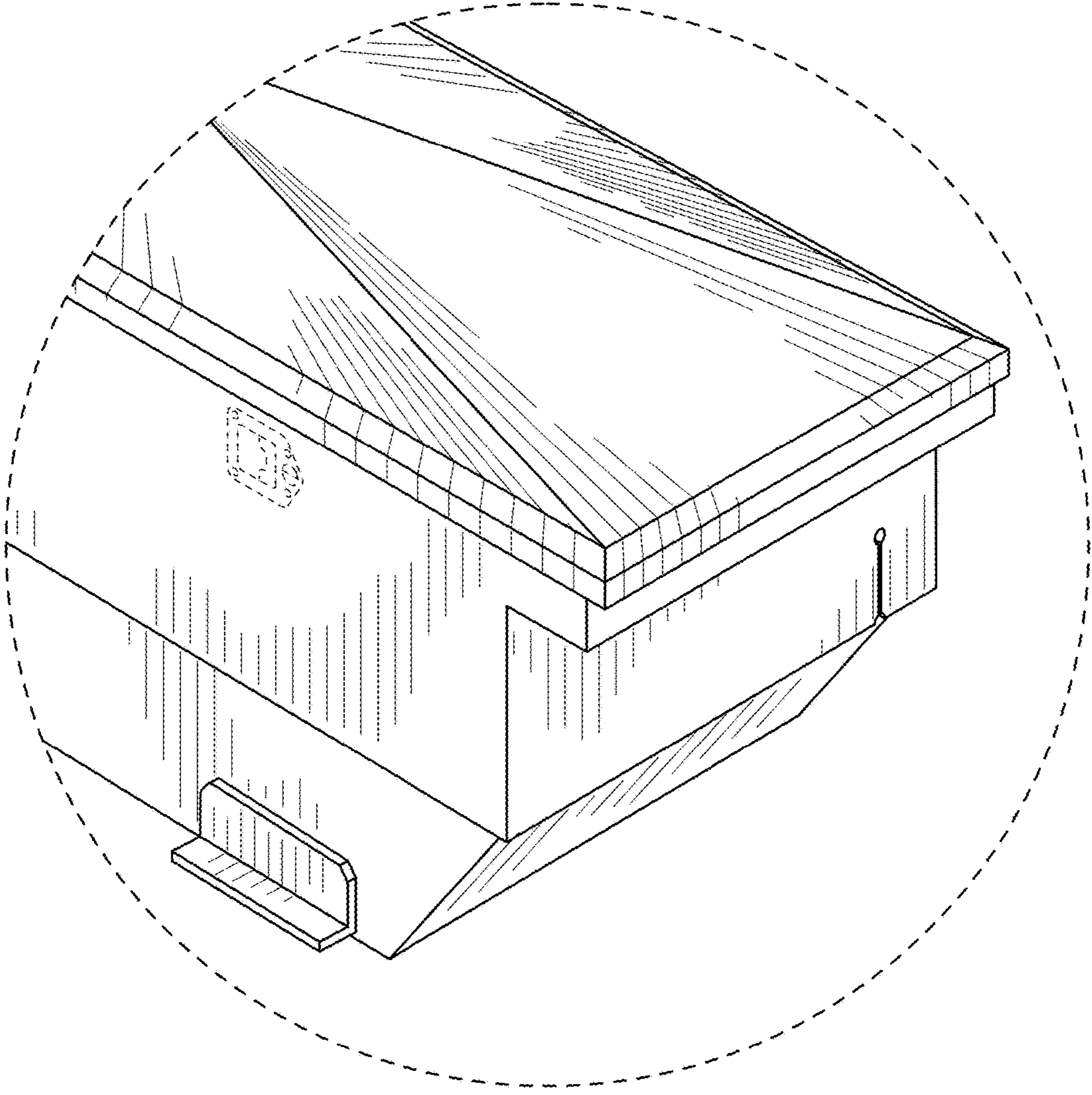


FIG. 2

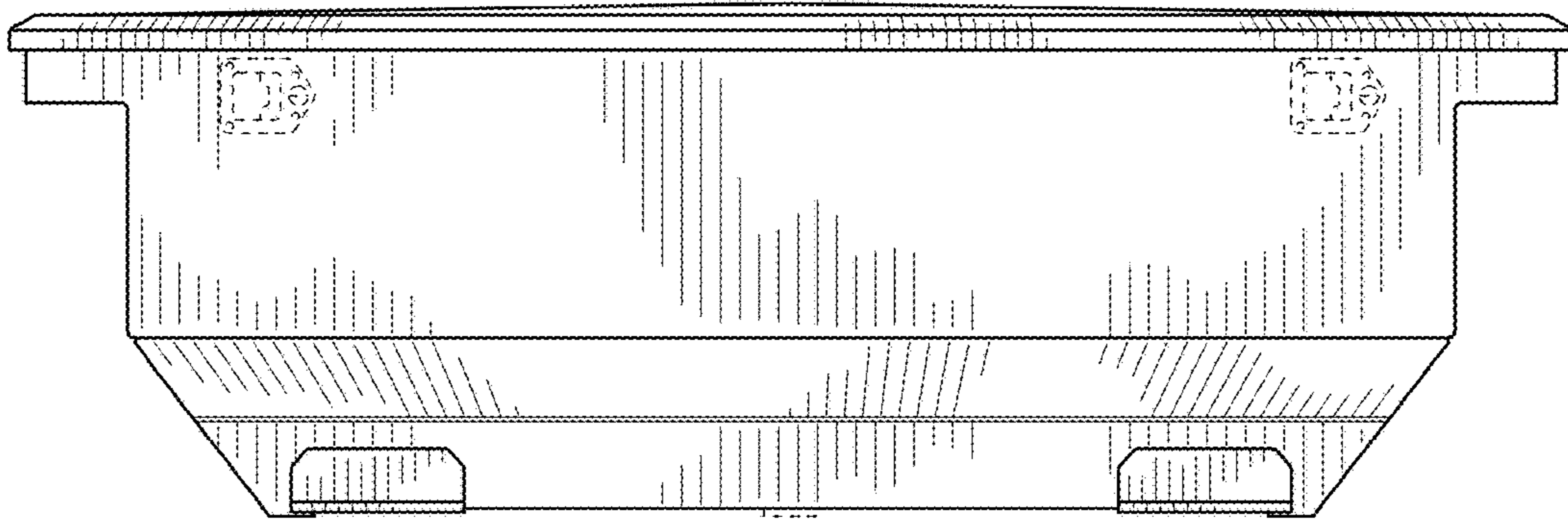


FIG. 3

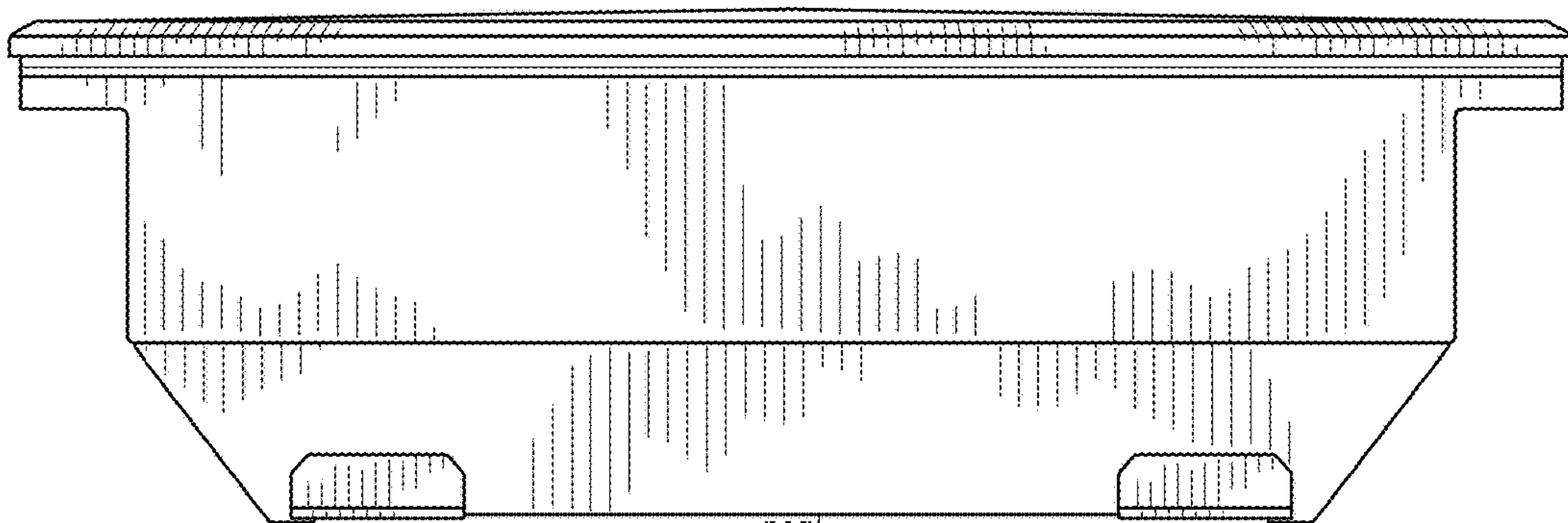


FIG. 4

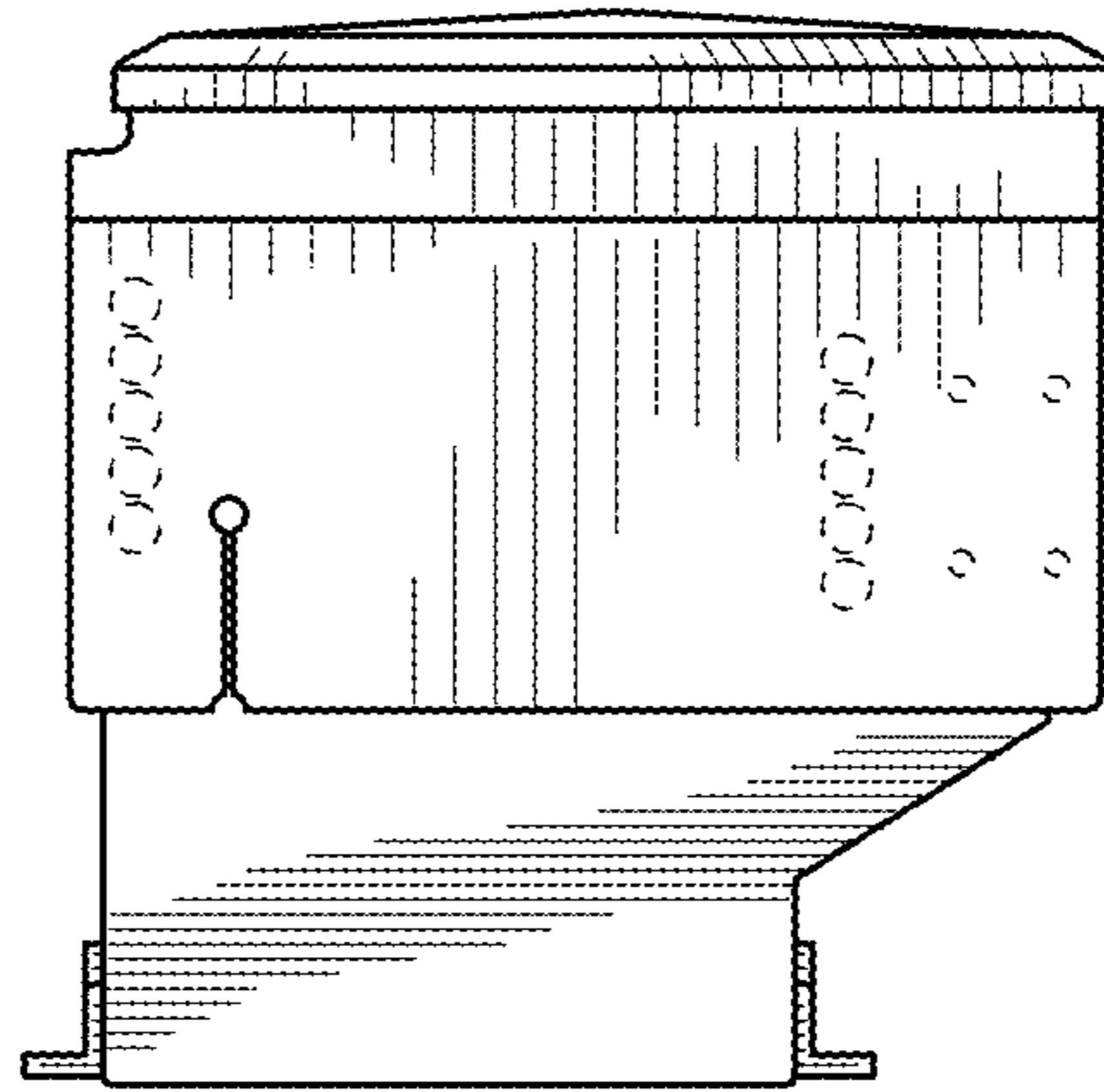


FIG. 5

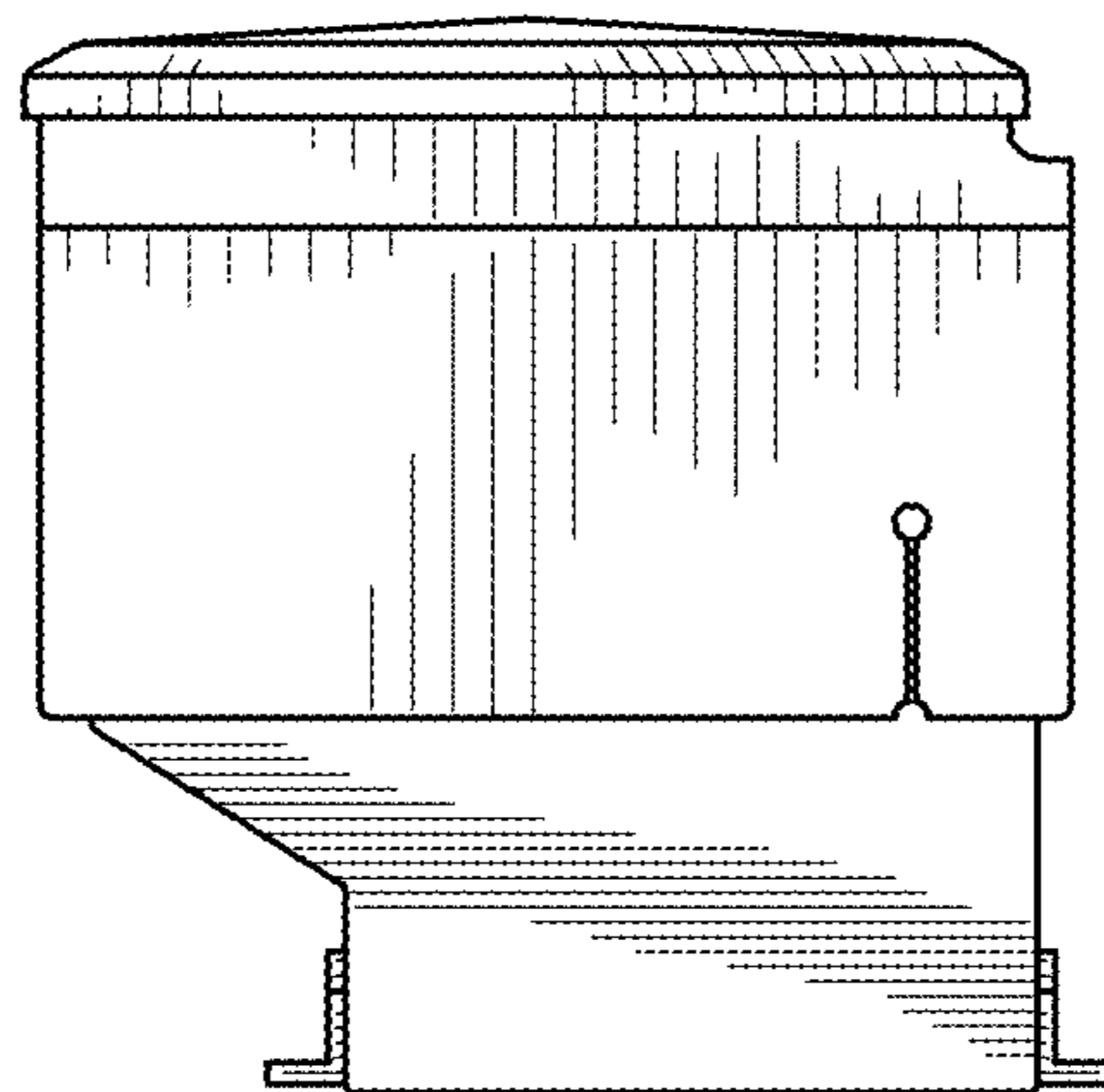


FIG. 6

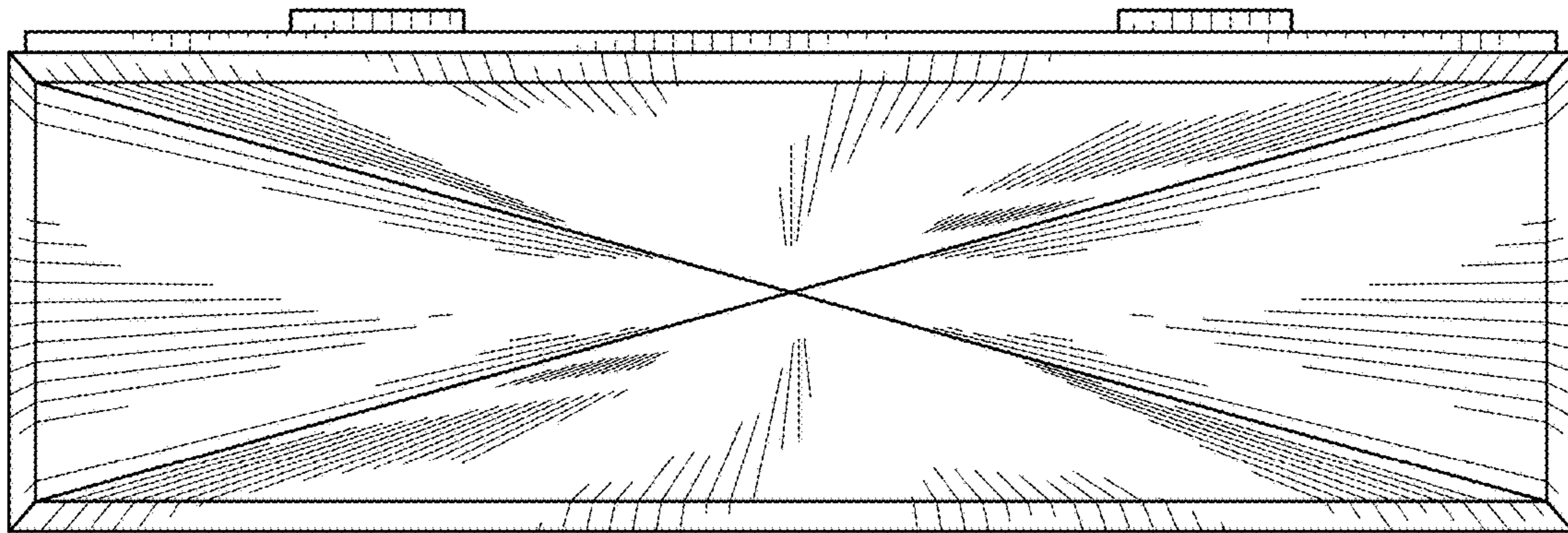


FIG. 7

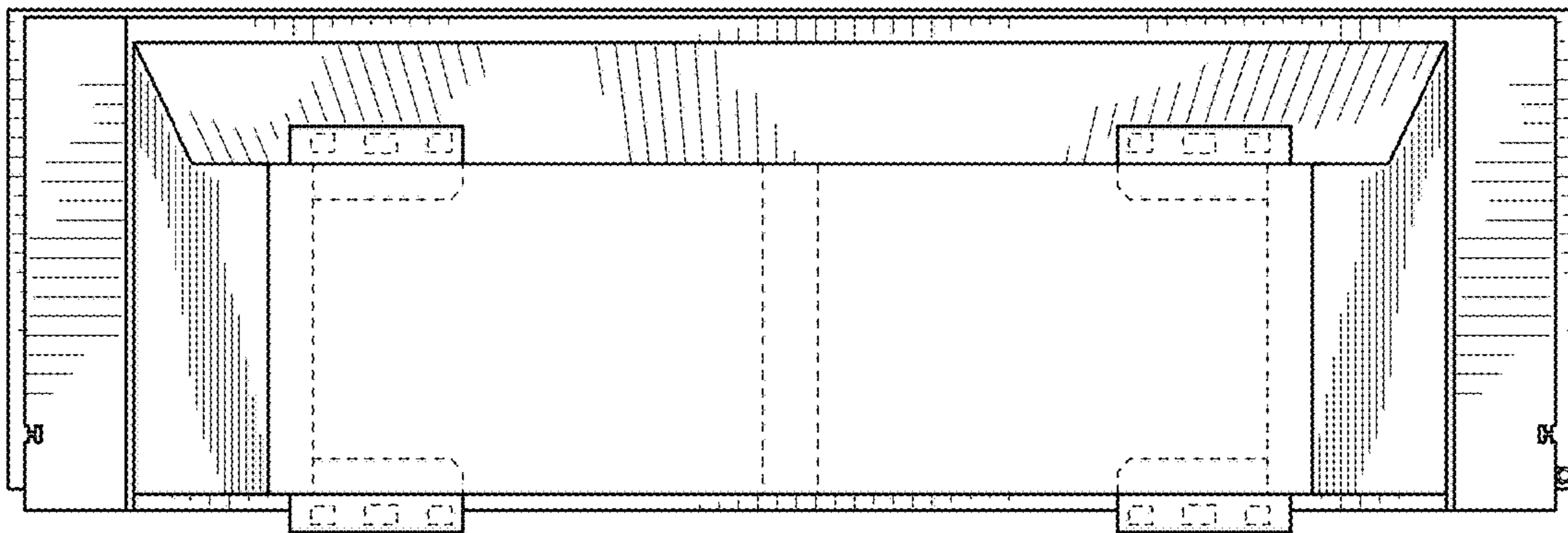


FIG. 8