



US00D812539S

(12) **United States Design Patent** (10) **Patent No.:** **US D812,539 S**
Taylor (45) **Date of Patent:** **** Mar. 13, 2018**

(54) **WHEEL**
(71) Applicant: **Fredrick Taylor**, Rome, GA (US)
(72) Inventor: **Fredrick Taylor**, Rome, GA (US)
(**) Term: **15 Years**
(21) Appl. No.: **29/558,373**
(22) Filed: **Mar. 17, 2016**
(51) **LOC (11) Cl.** **12-16**
(52) **U.S. Cl.**
USPC **D12/211**
(58) **Field of Classification Search**
USPC D12/204–213
CPC B60B 7/00; B60B 7/02; B60B 7/04; B60B 7/01; B60B 7/06; B60B 3/02; B60B 3/04; B60B 3/06; B60B 3/10; B60B 1/00; B60B 1/08; B60B 1/10; B60B 1/12
See application file for complete search history.

D256,456 S * 8/1980 Blanchard D12/211
D286,869 S * 11/1986 Hedlund D12/211
D432,482 S * 10/2000 Hodges D12/211
D465,759 S * 11/2002 Leutz D12/211
D517,969 S * 3/2006 Brouillette D12/209
D519,431 S * 4/2006 Francis D12/209
D536,293 S * 2/2007 Brouillette D12/209
D542,499 S * 5/2007 Liu D12/209
D546,261 S * 7/2007 Brouillette D12/209
D748,028 S * 1/2016 Kermelk D12/209
D756,884 S * 5/2016 Denike D12/211
D762,544 S * 8/2016 Hashimoto D12/209

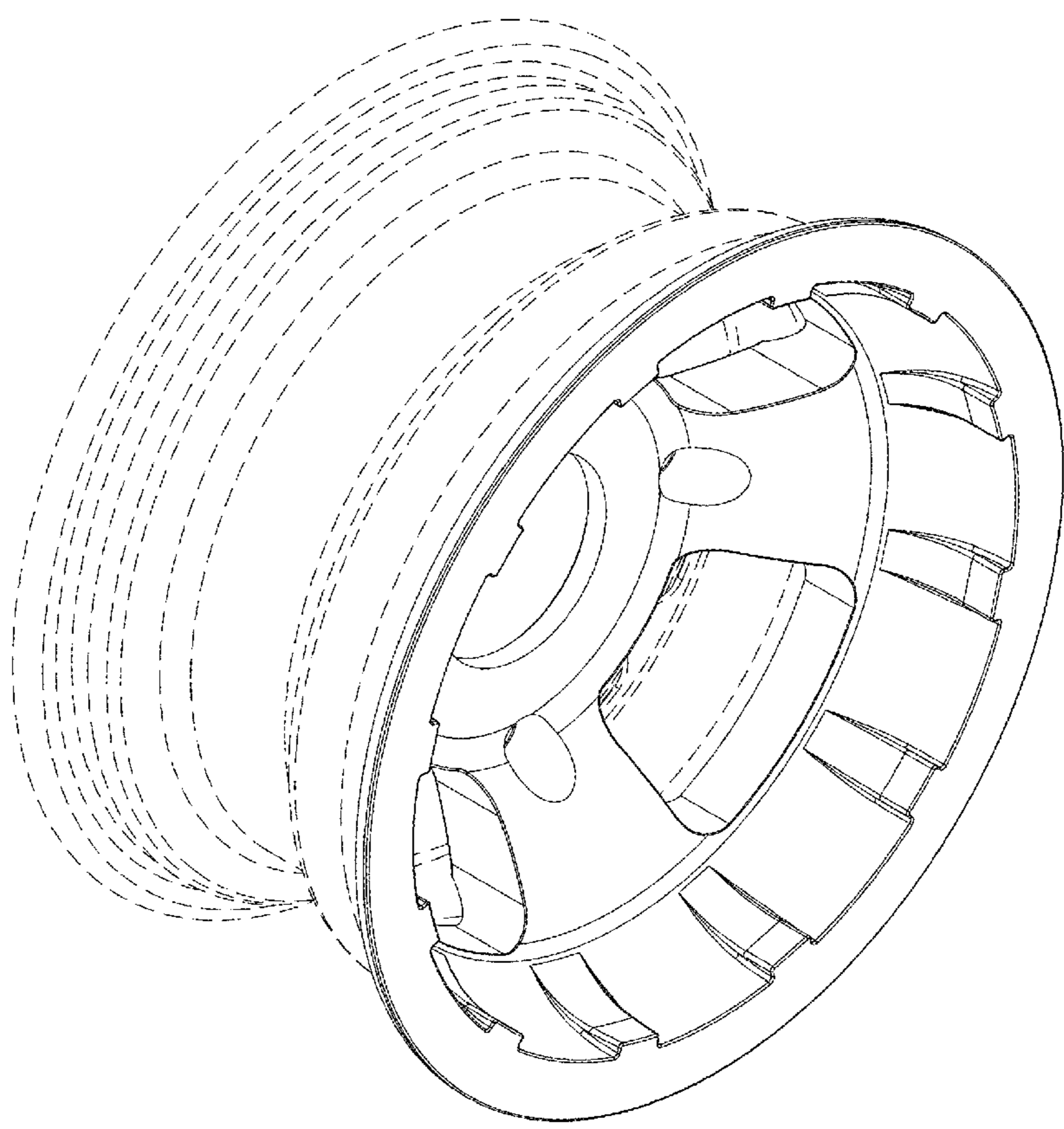
* cited by examiner
Primary Examiner — Sandra Snapp
(74) *Attorney, Agent, or Firm* — Thomas | Horstemeyer, LLP

(57) **CLAIM**
The ornamental design for a wheel, as shown and described.

DESCRIPTION
FIG. 1 is a perspective view of a wheel, showing my new design; and,
FIG. 2 is a front view thereof.
The broken line showing of the rear portion of the wheel is included for the purpose of illustrating environment and forms no part of the claimed design.

1 Claim, 2 Drawing Sheets

(56) **References Cited**
U.S. PATENT DOCUMENTS
D93,769 S * 11/1934 Horn D12/211
D193,137 S * 7/1962 Geisler D12/211
D221,935 S * 9/1971 Harty D12/211
D230,726 S * 3/1974 Cravits D12/211
D234,590 S * 3/1975 Davis D12/211



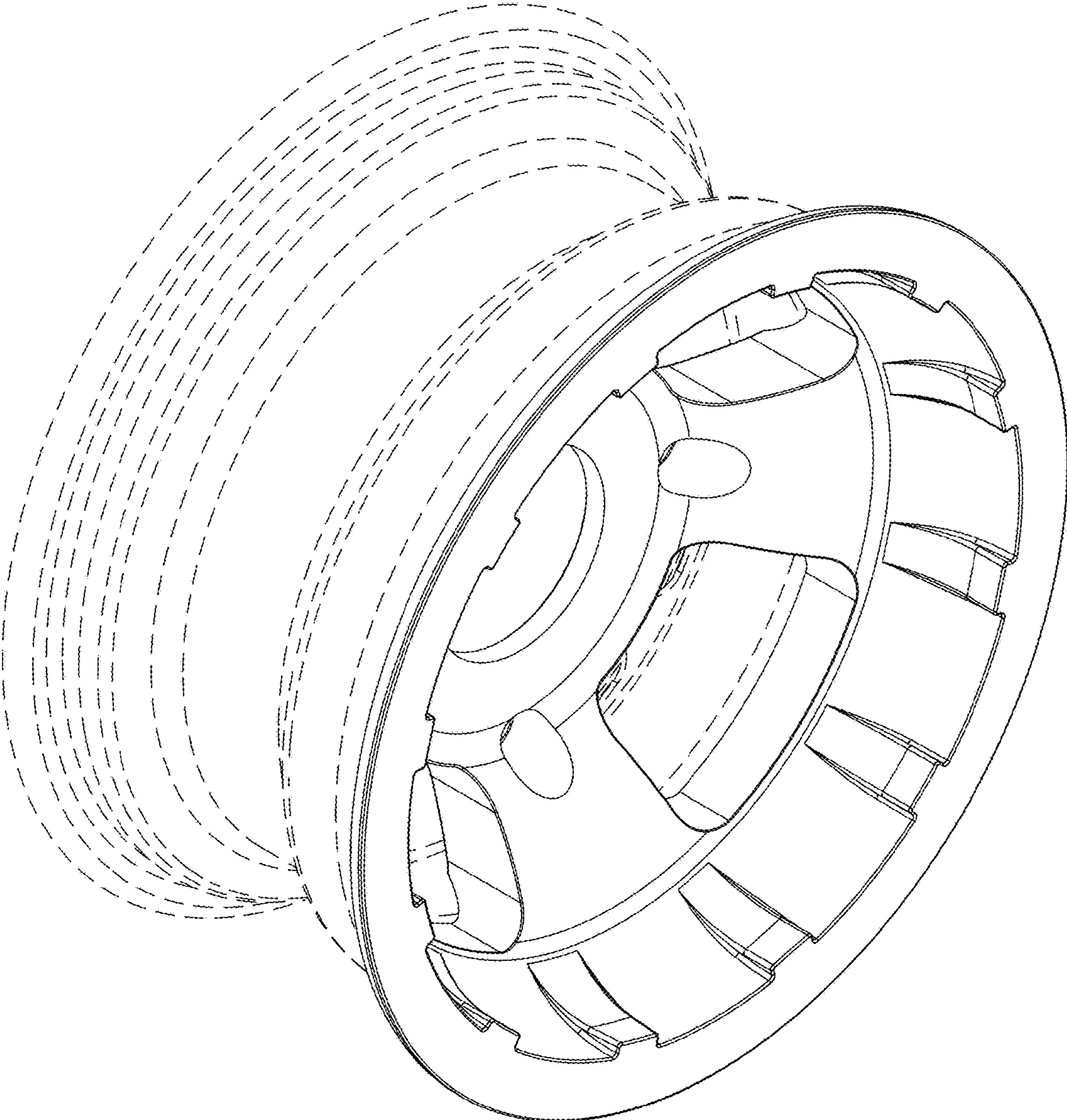


FIG. 1

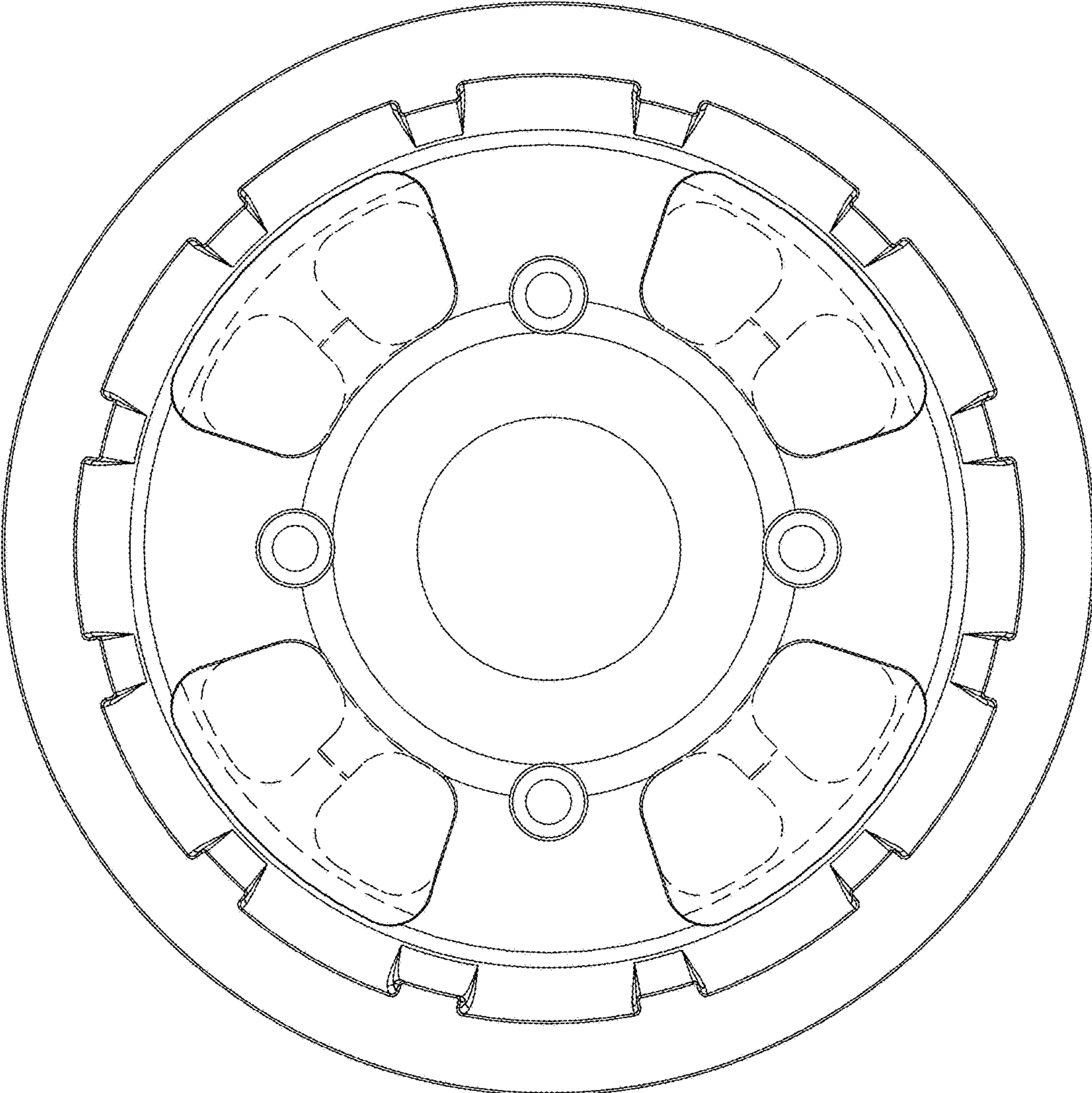


FIG. 2