



US00D812537S

(12) **United States Design Patent**
Chiang

(10) **Patent No.:** **US D812,537 S**
(45) **Date of Patent:** **** Mar. 13, 2018**

(54) **TOW HOOK DETACHABLE LICENSE
PLATE RELOCATOR**

(71) Applicant: **C & A Imports, Inc.**, Fremont, CA
(US)

(72) Inventor: **Man Kit Chiang**, Fremont, CA (US)

(73) Assignee: **C & A Imports, Inc.**, Fremont, CA
(US)

(**) Term: **15 Years**

(21) Appl. No.: **29/585,714**

(22) Filed: **Nov. 28, 2016**

(51) **LOC (11) Cl.** **12-16**

(52) **U.S. Cl.**
USPC **D12/193**

(58) **Field of Classification Search**
USPC D12/193; D6/300, 301, 302, 310, 311,
D6/312, 313, 314; D20/13
CPC B60R 13/10; B60R 13/105; B60R 19/24;
B60R 19/52
See application file for complete search history.

(56) **References Cited**

U.S. PATENT DOCUMENTS

2,921,395	A *	1/1960	Fishman	B60R 13/105 40/209
D341,117	S *	11/1993	Sundstedt	D12/162
D633,837	S *	3/2011	Murray	D12/193
D718,690	S *	12/2014	Marksteiner	D12/193
D732,440	S *	6/2015	Grake	D12/162
D750,536	S *	3/2016	Lusty	D12/162
D756,859	S *	5/2016	Malina	D12/193
D799,387	S *	10/2017	Malina	D12/193
D802,506	S *	11/2017	Bargen	D12/193
2014/0133935	A1 *	5/2014	MacNeil	G09F 7/18 411/337

OTHER PUBLICATIONS

Grimmspeed relocation kit, available at <https://www.rallysportdirect.com/part/accessories/grm-094063-grimmspeed-license-plate-relocation-kit>.

* cited by examiner

Primary Examiner — George D. Kirschbaum

Assistant Examiner — Natasha Vujcic

(74) *Attorney, Agent, or Firm* — Chhabra Law Firm, PC

(57) **CLAIM**

The ornamental design of a tow hook detachable license plate relocator, as shown and described.

DESCRIPTION

FIG. 1 is a top, right, front perspective view of a tow hook detachable license plate relocator, illustrating the novel design.

FIG. 2 is the top view thereof.

FIG. 3 is the bottom view thereof.

FIG. 4 is the left side view thereof.

FIG. 5 is the right side view thereof.

FIG. 6 is the front view thereof.

FIG. 7 is the back view thereof.

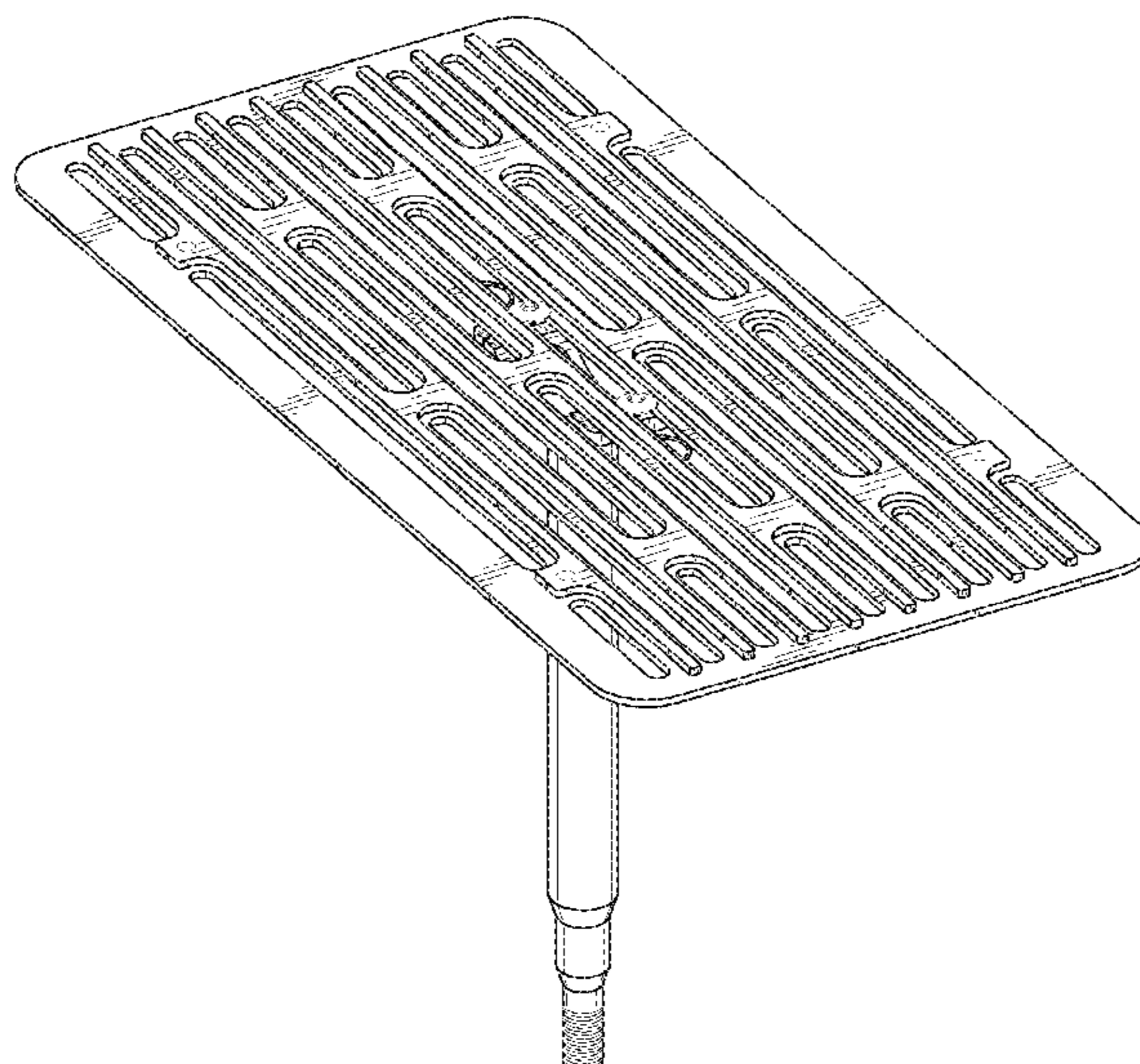
FIG. 8 is an exploded view of the bottom, back, perspective view, illustrating the relationship or order of various elements thereof.

FIG. 9 illustrates the front perspective view of a detachable element of the tow hook detachable license plate relocator; and,

FIG. 10 illustrates the back perspective view of the detachable element of the tow hook detachable license plate relocator, illustrated in FIG. 9.

The broken lines in the drawings depict unclaimed subject matter only and form no part of the claimed design.

1 Claim, 8 Drawing Sheets



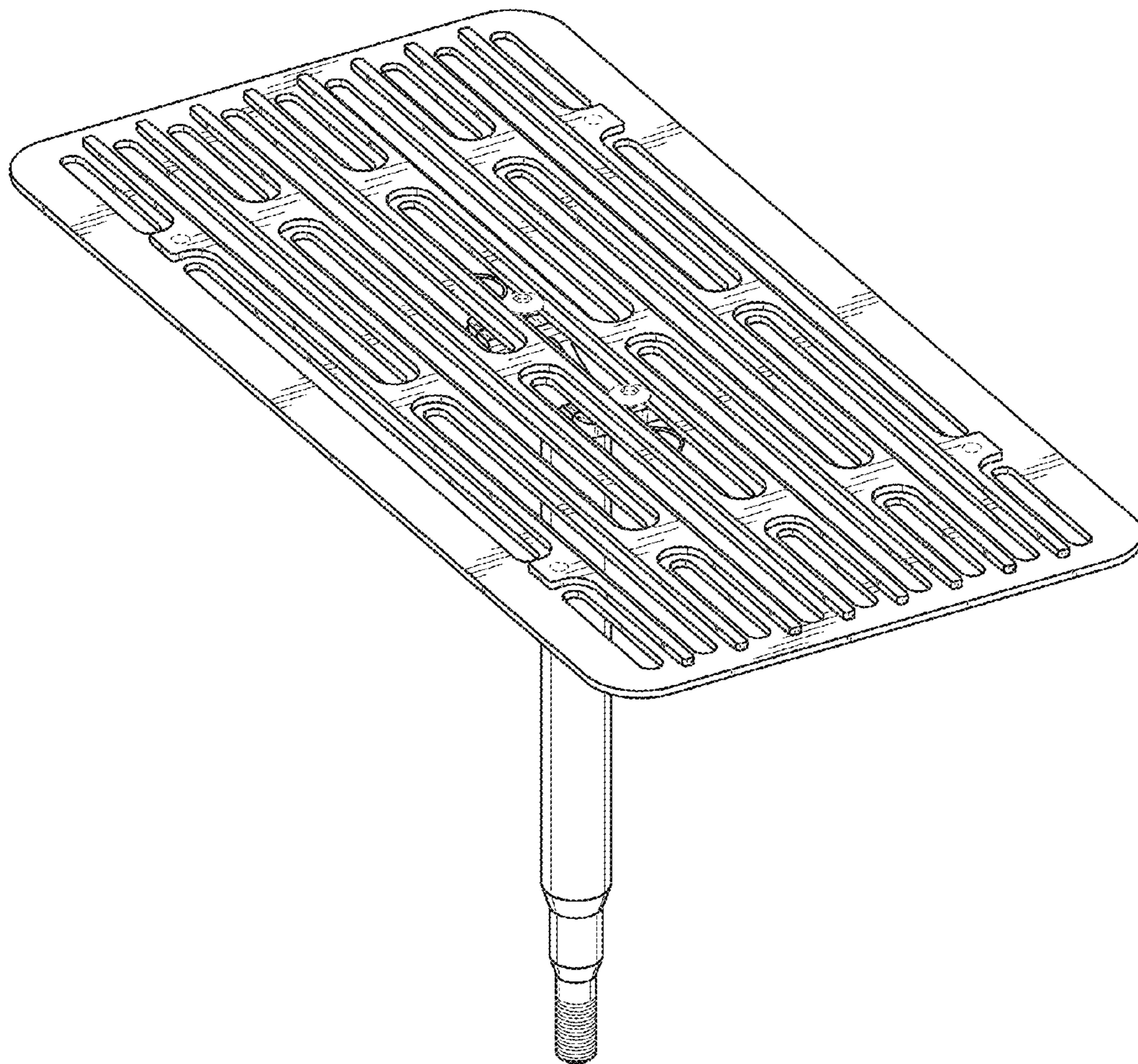


FIG. 1

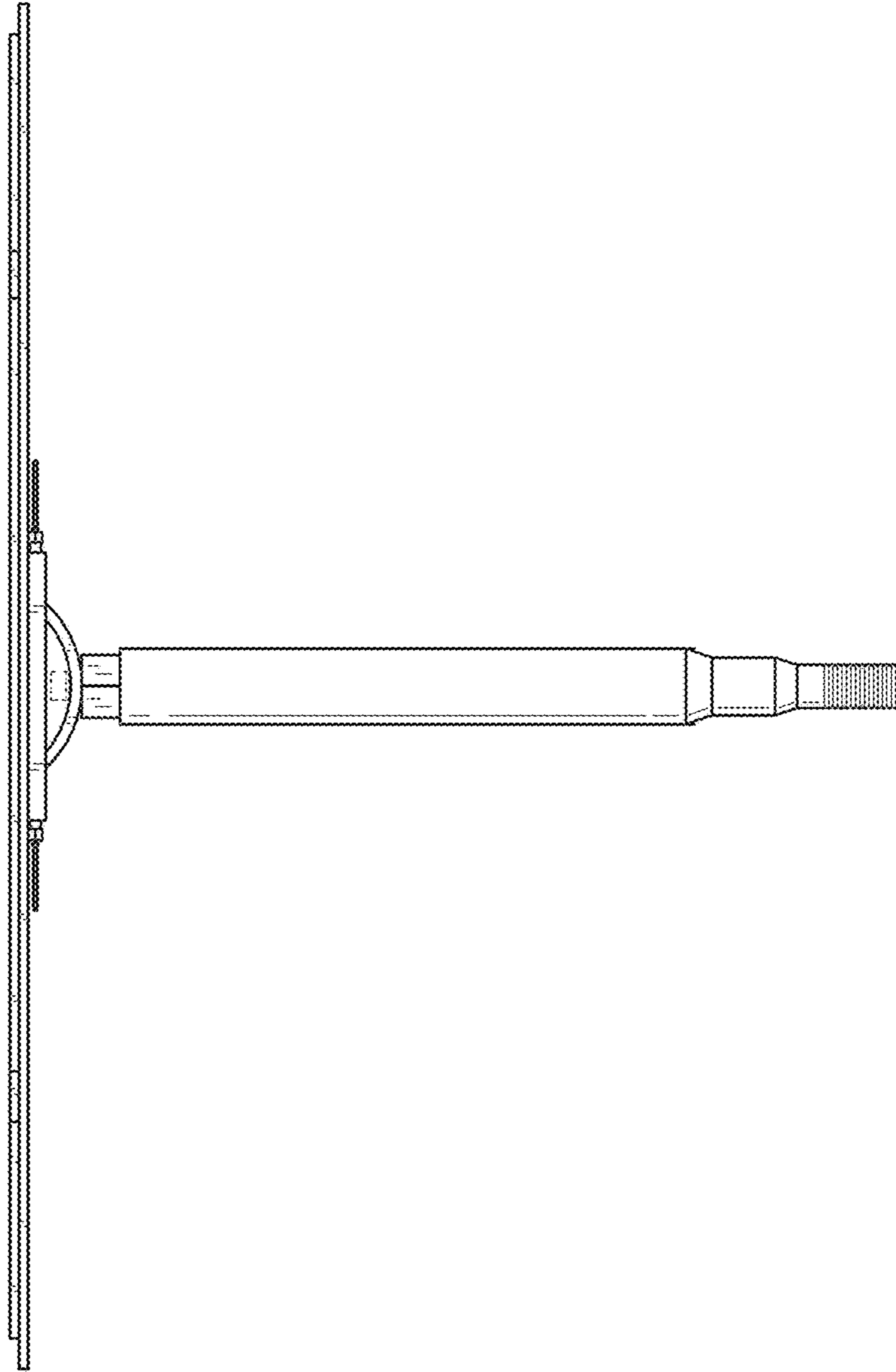


FIG. 2

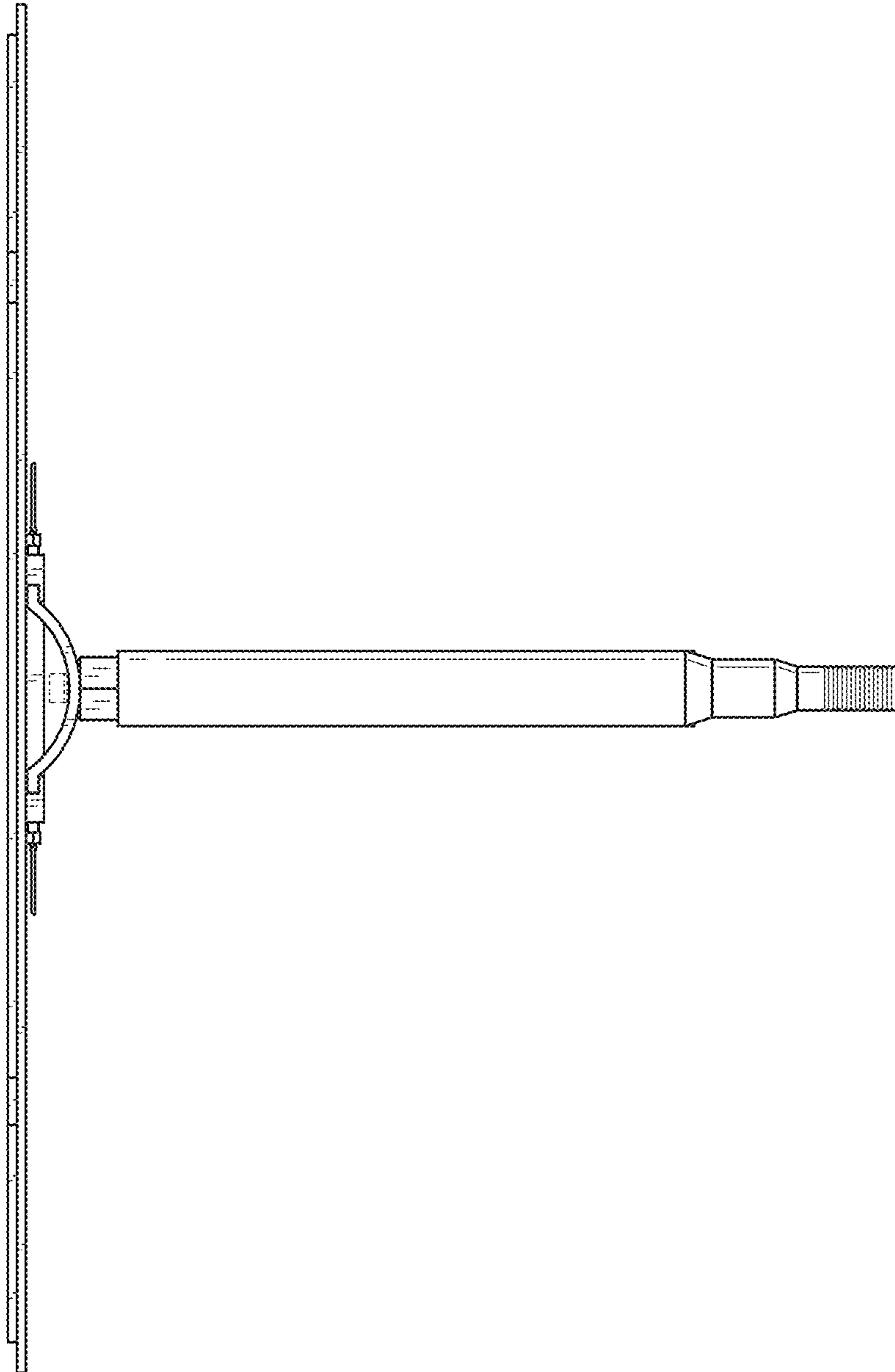


FIG. 3

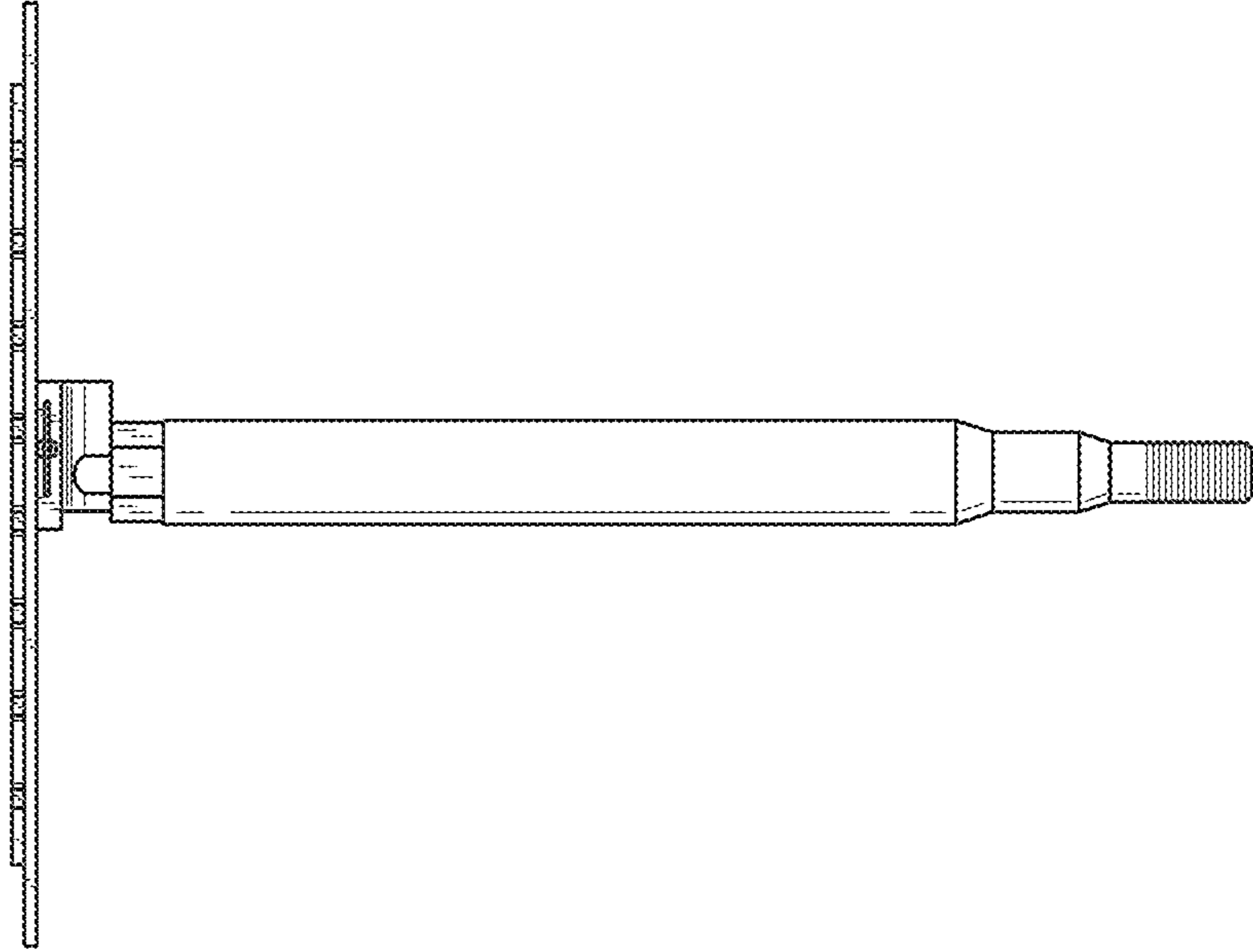


FIG. 5

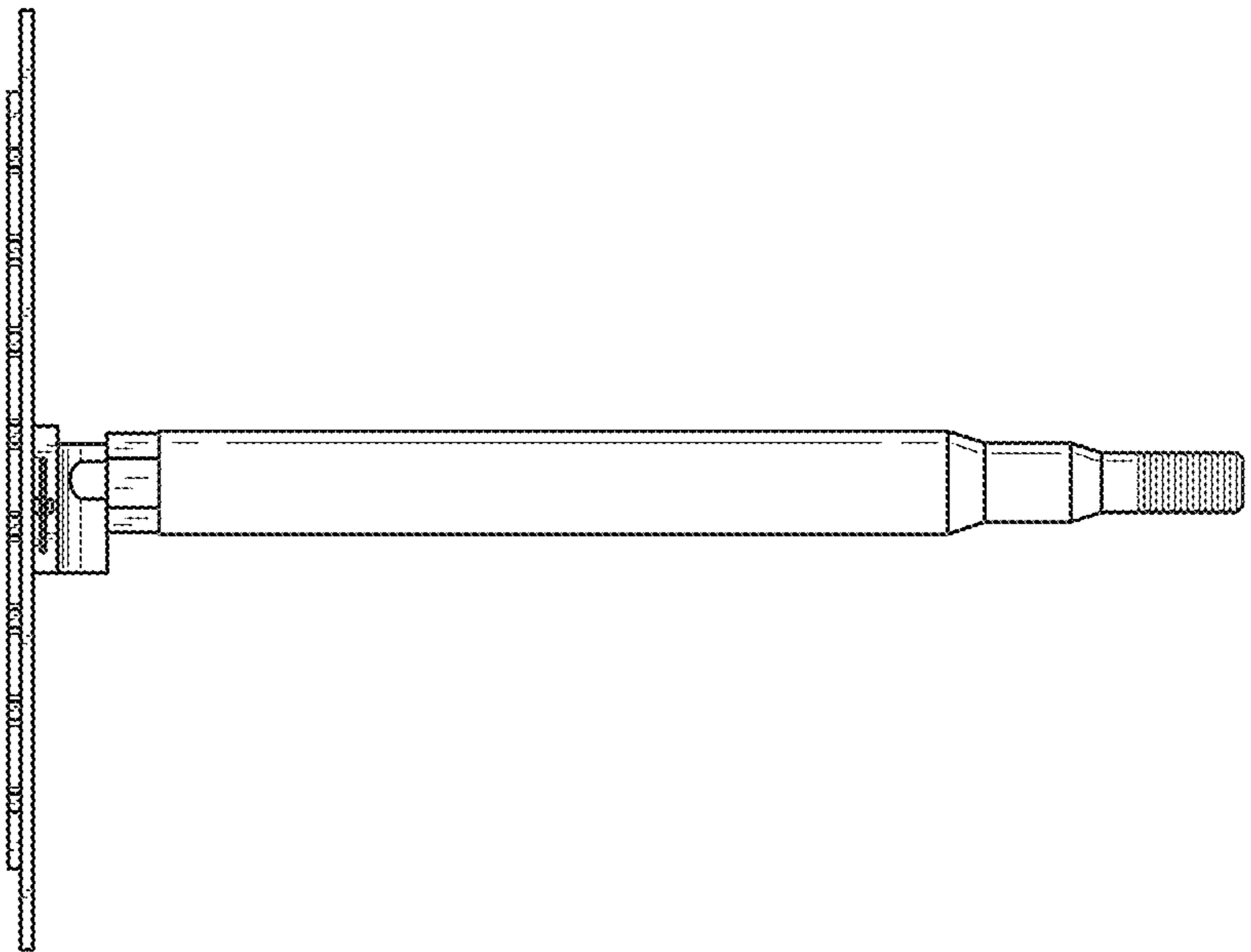


FIG. 4

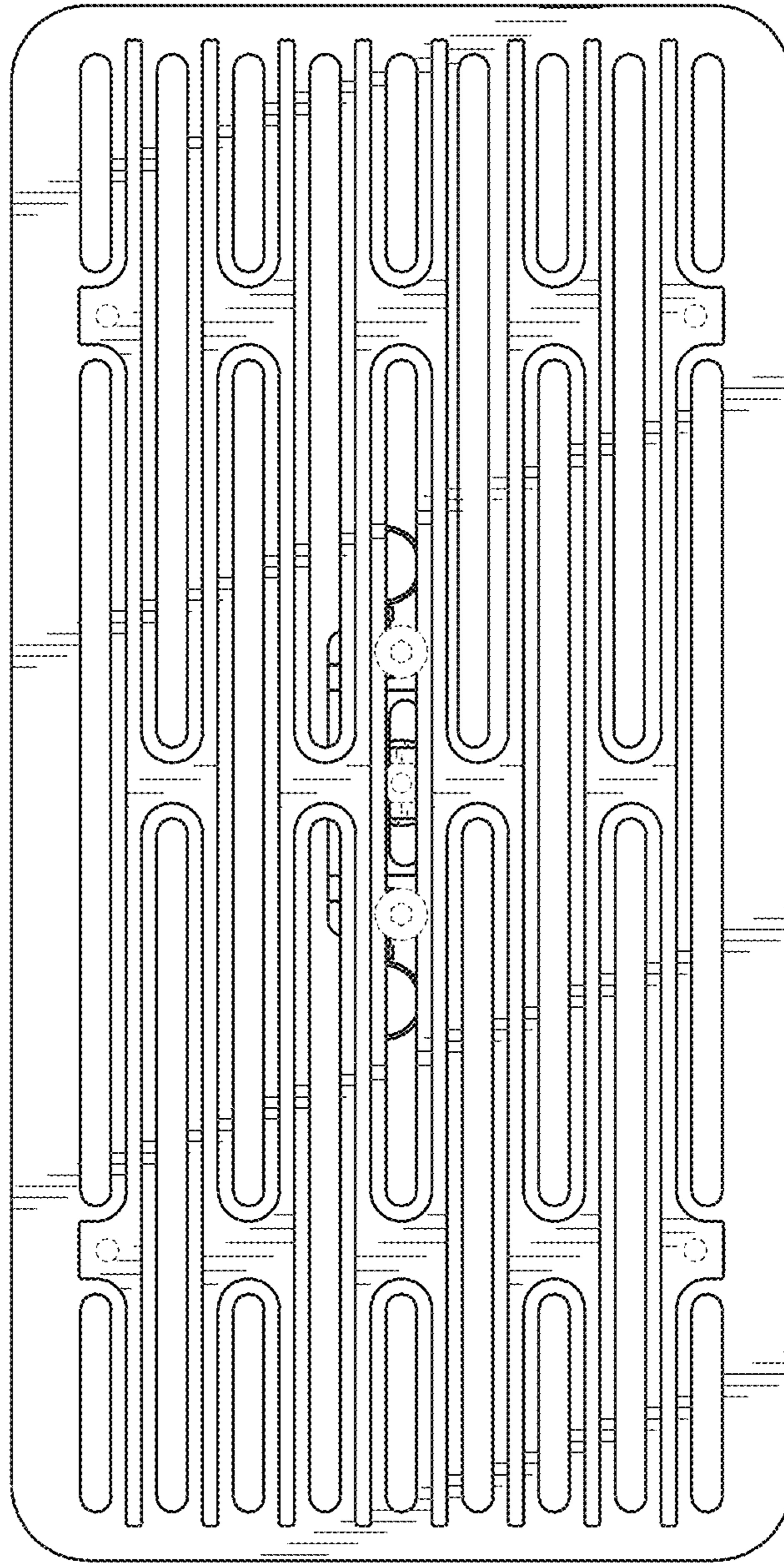


FIG. 6

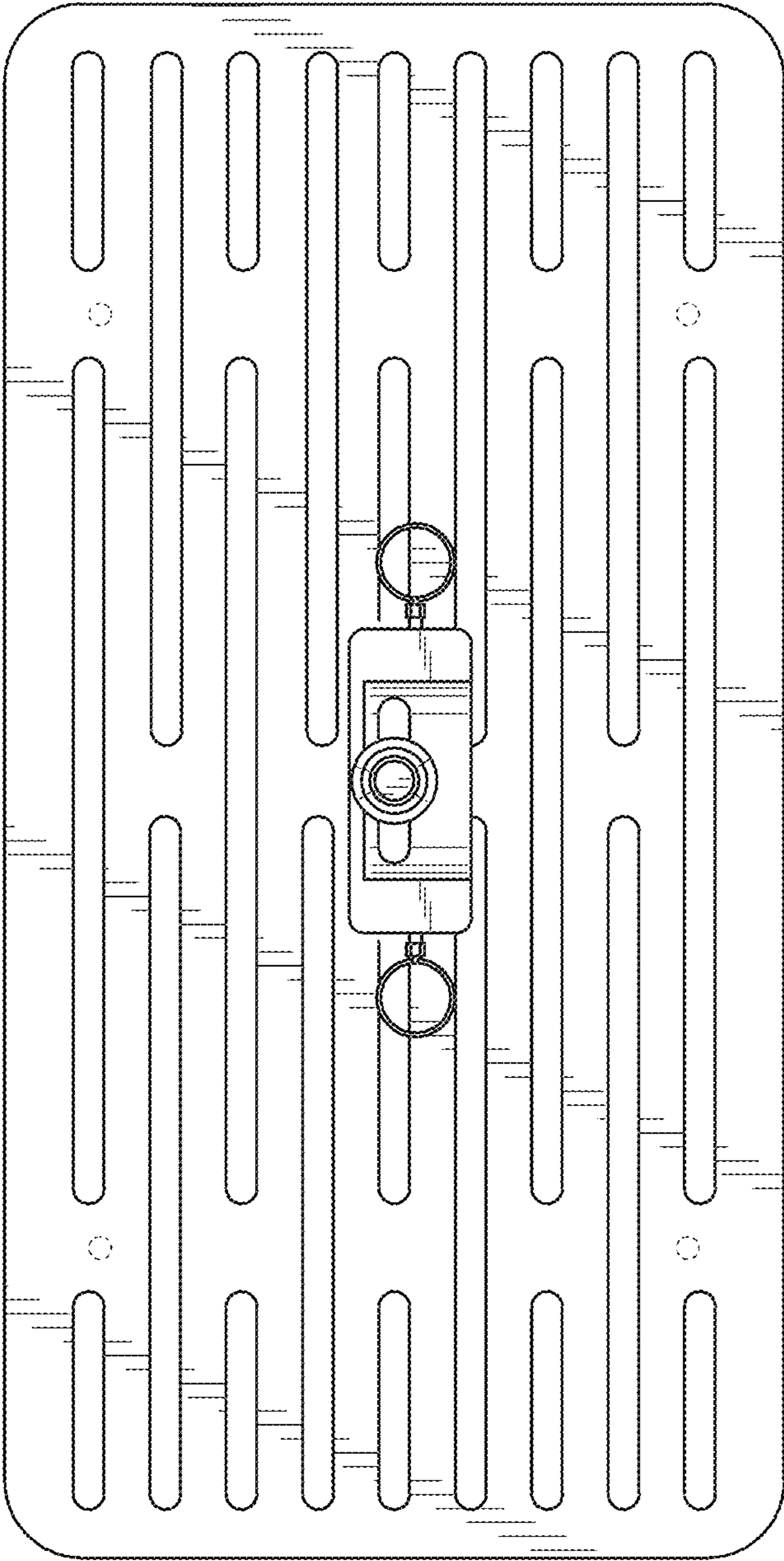


FIG. 7

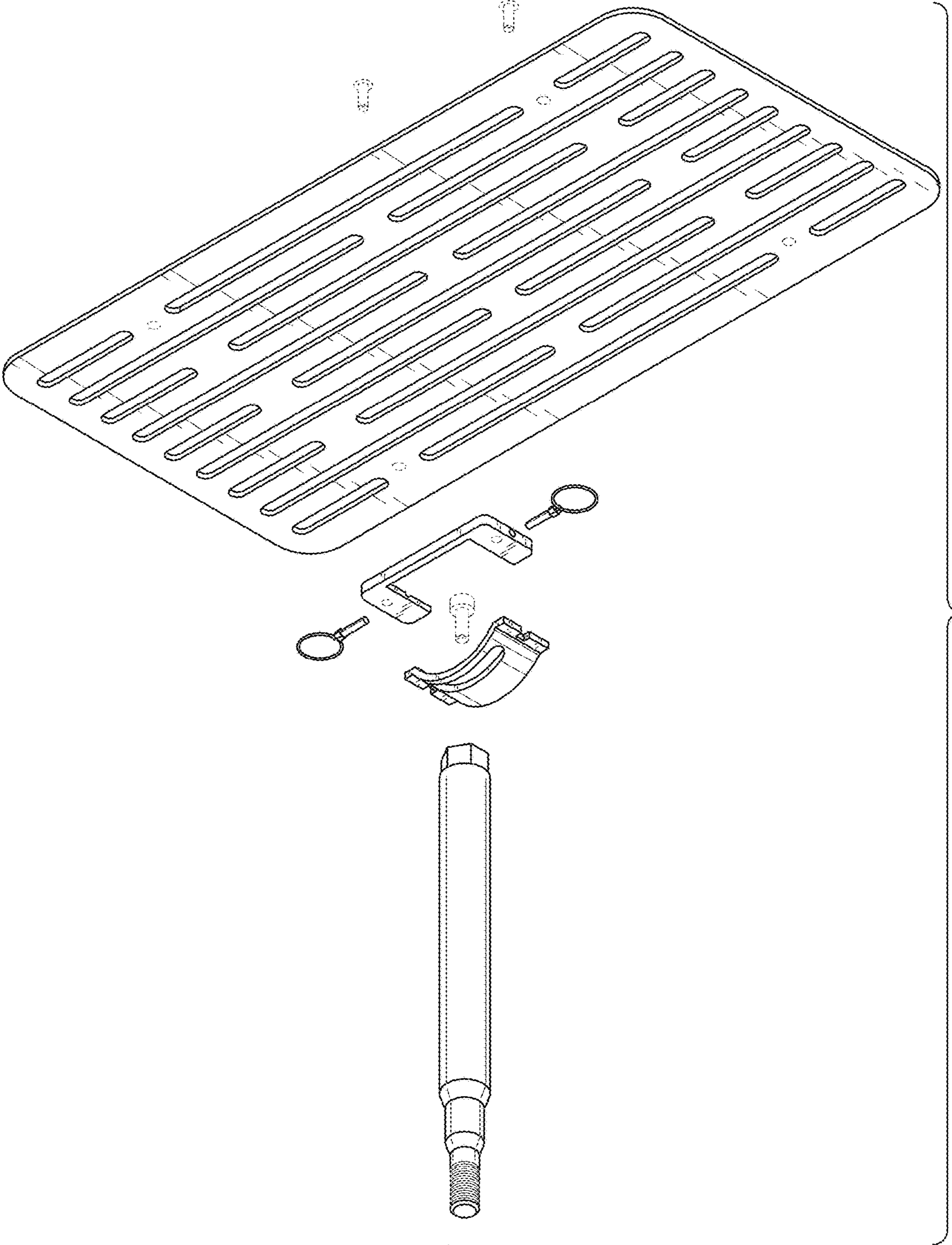


FIG. 8

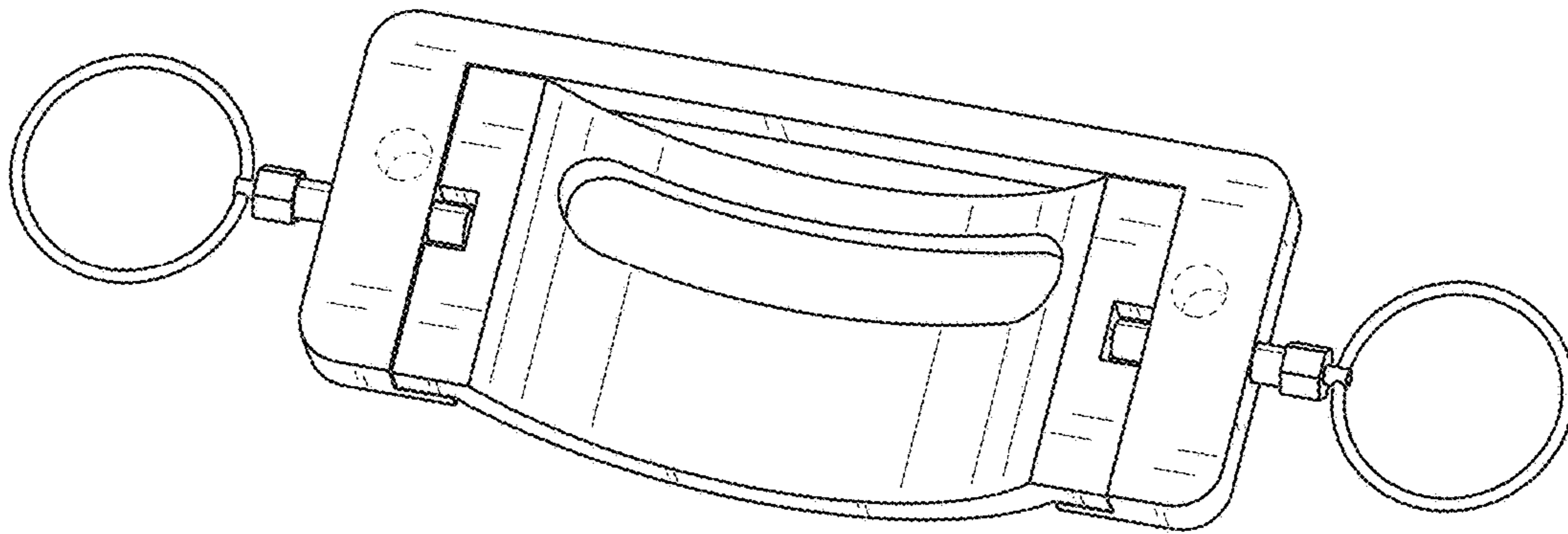


FIG. 9

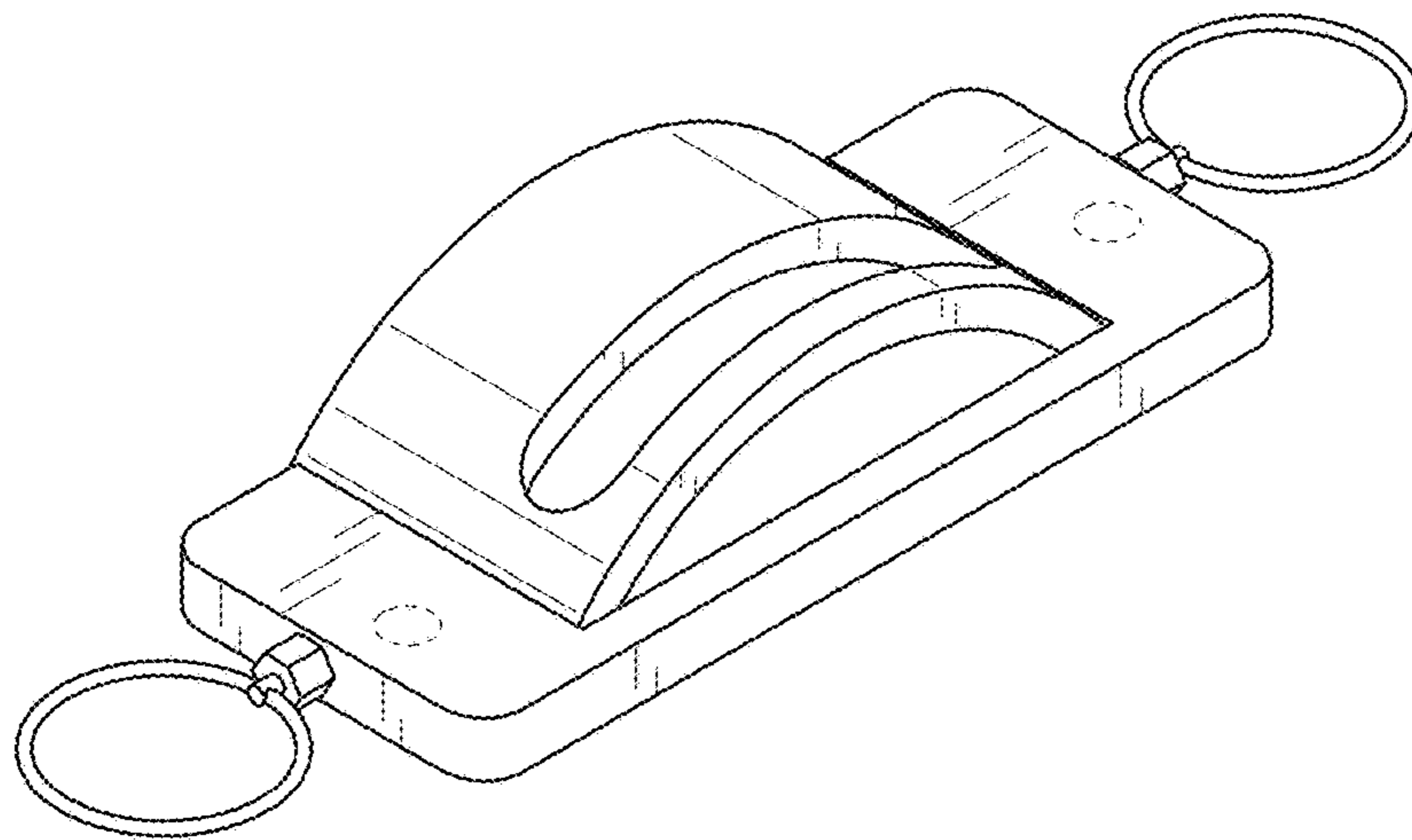


FIG. 10