



US00D812536S

(12) **United States Design Patent** (10) **Patent No.:** **US D812,536 S**  
**Matsuda et al.** (45) **Date of Patent:** **\*\* Mar. 13, 2018**

(54) **INSTRUMENT PANEL FOR AN AUTOMOBILE**

D780,649 S \* 3/2017 Tanaka ..... D12/192  
D793,931 S \* 8/2017 Lee ..... D12/192  
D795,145 S \* 8/2017 Miyashita ..... D12/192  
D795,146 S \* 8/2017 Ogawa ..... D12/192

(71) Applicant: **Nissan Motor Co., Ltd.**, Yokohama, Kanagawa (JP)

FOREIGN PATENT DOCUMENTS

(72) Inventors: **Masahiro Matsuda**, Kanagawa (JP); **Ken Okabe**, Kanagawa (JP)

JP D1305837 S 7/2007  
JP D1268175 S 3/2008  
JP D1352673 S 3/2009  
JP D1440094 S 6/2012  
JP D1449379 S 8/2012  
JP D1433257 S 1/2014  
JP D1491680 S 3/2014  
JP D1503270 S 7/2014  
JP D1481501 S 10/2014  
JP D1491682 S 3/2015  
JP D1492915 S 3/2015  
JP D1481492 S 10/2015

(73) Assignee: **Nissan Motor Co., Ltd.**, Yokohama (JP)

(\*\*) Term: **15 Years**

(21) Appl. No.: **29/597,548**

(22) Filed: **Mar. 17, 2017**

\* cited by examiner

(30) **Foreign Application Priority Data**

Sep. 20, 2016 (JP) ..... 2016-020239

*Primary Examiner* — Katrina A Betton

(51) **LOC (11) Cl.** ..... **12-16**

(74) *Attorney, Agent, or Firm* — Global IP Counselors, LLP

(52) **U.S. Cl.**  
USPC ..... **D12/192**

(57) **CLAIM**

(58) **Field of Classification Search**

The ornamental design for an instrument panel for an automobile, as shown and described.

USPC ..... D12/192, 415, 110, 114, 345; D15/17, D15/28; D10/46, 98, 102-103, 122-127

**DESCRIPTION**

CPC ..... G08G 1/096883; G01C 21/16; G01C 21/3688; G01C 21/30

See application file for complete search history.

FIG. 1 is a front elevational view of an instrument panel for an automobile in accordance with our new design; FIG. 2 is a top plan view thereof; FIG. 3 is a bottom plan view thereof; FIG. 4 is a left side elevational view thereof; FIG. 5 is a right side elevational view thereof; FIG. 6 is a first side perspective view thereof; and, FIG. 7 is a second perspective view thereof.

(56) **References Cited**

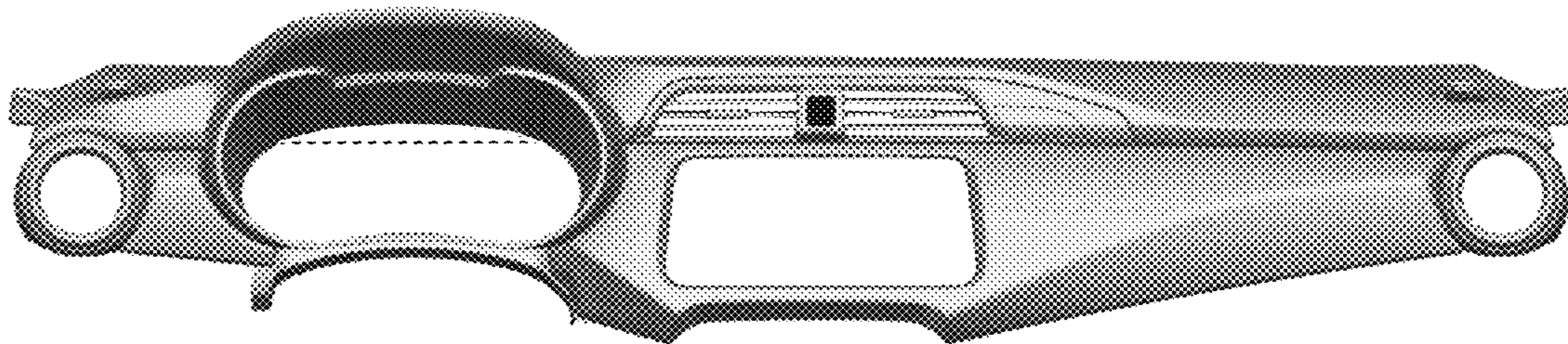
U.S. PATENT DOCUMENTS

D762,152 S \* 7/2016 Inagaki ..... D12/192  
D763,154 S \* 8/2016 Chang ..... D12/192  
D763,155 S \* 8/2016 Sahs ..... D12/192  
D770,348 S \* 11/2016 Shimizu ..... D12/192  
D770,953 S \* 11/2016 Tanaka ..... D12/192  
D771,541 S \* 11/2016 Shouno ..... D12/192  
D776,029 S \* 1/2017 Callum ..... D12/192  
D778,796 S \* 2/2017 Gommier ..... D12/192

The second embodiment is a mirror image of the instrument panel for an automobile as shown in FIGS. 1-7.

In the drawings, the broken lines depict portions of the article that form no part of the claimed design.

**1 Claim, 7 Drawing Sheets**



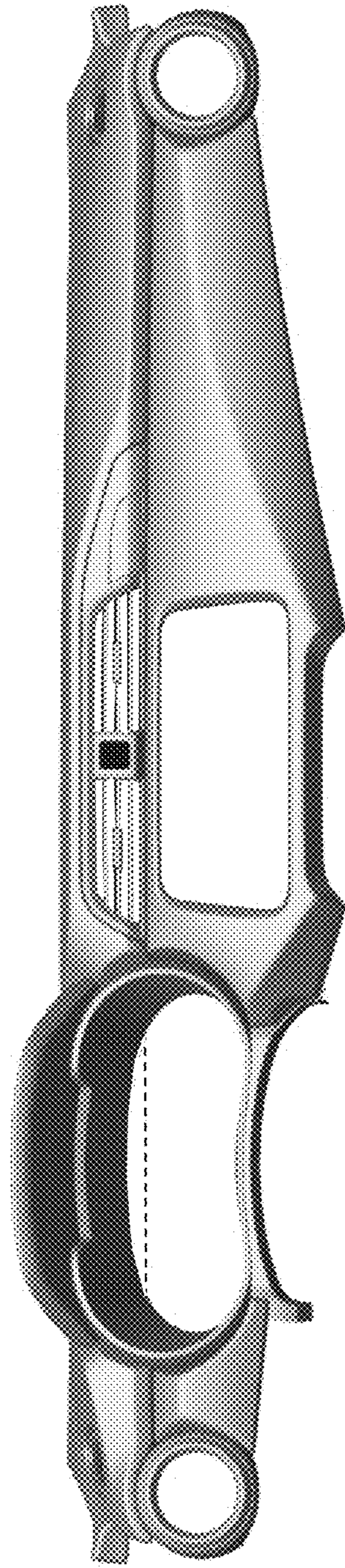


FIG. 1

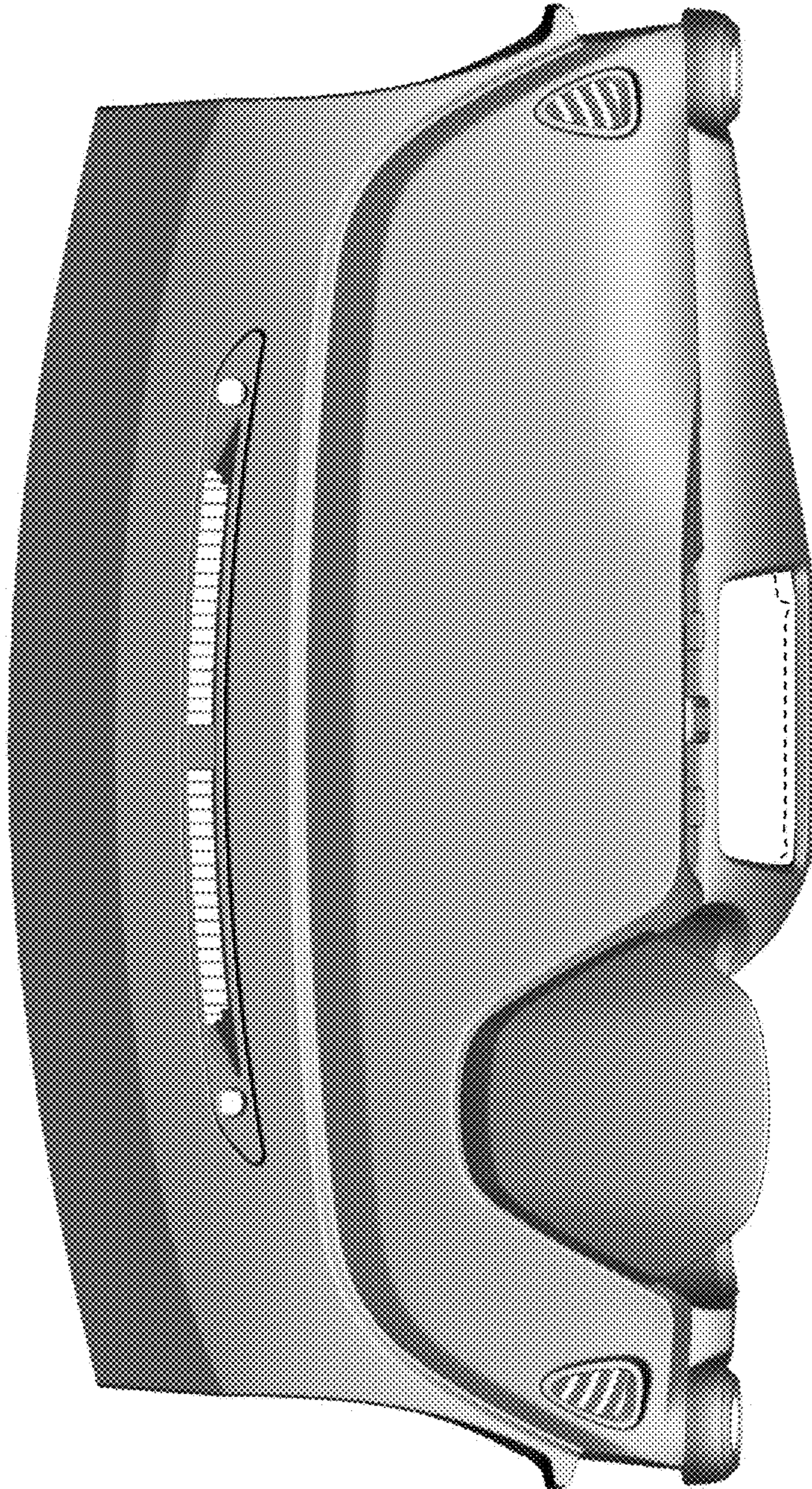


FIG. 2

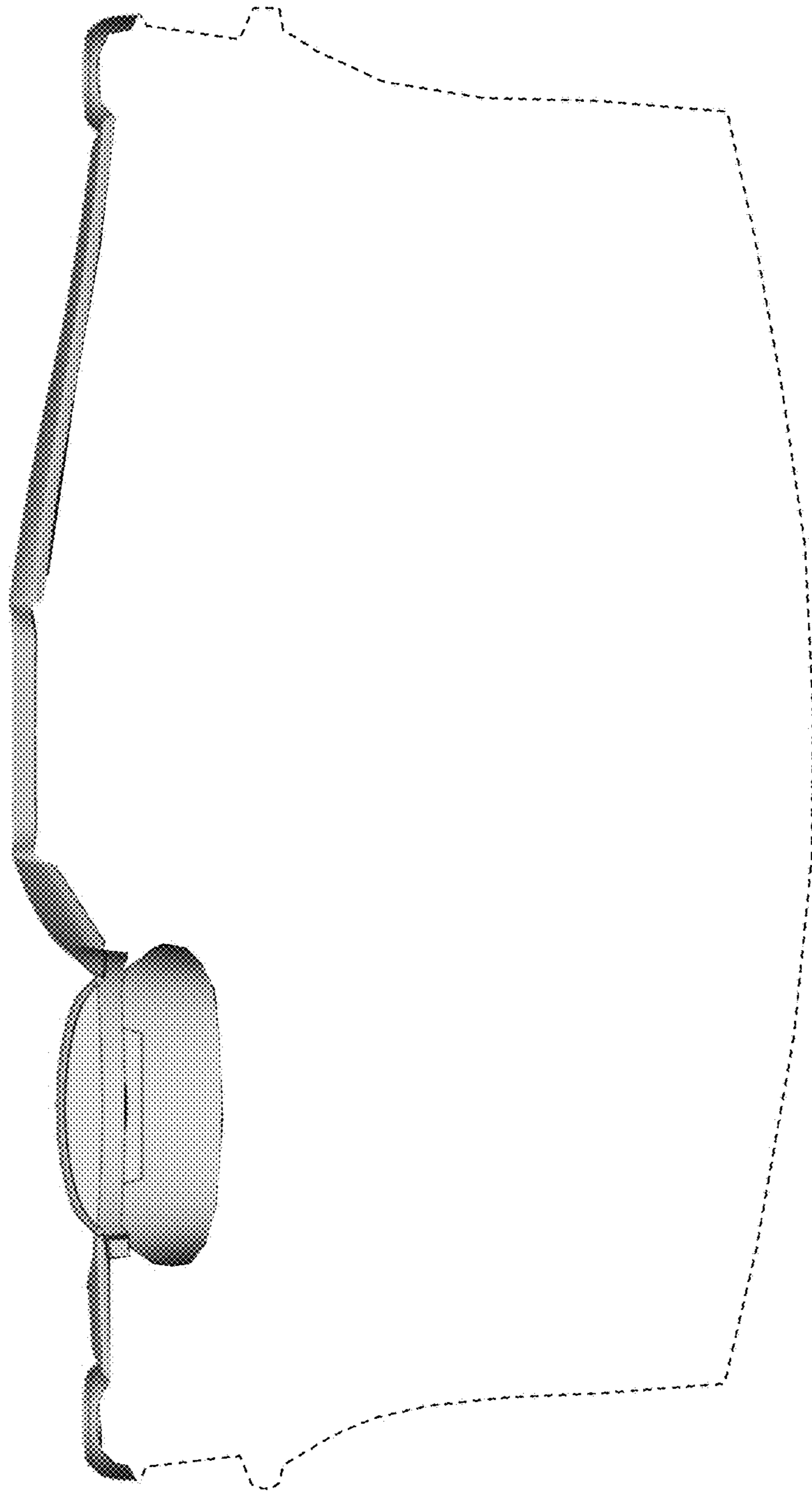


FIG. 3

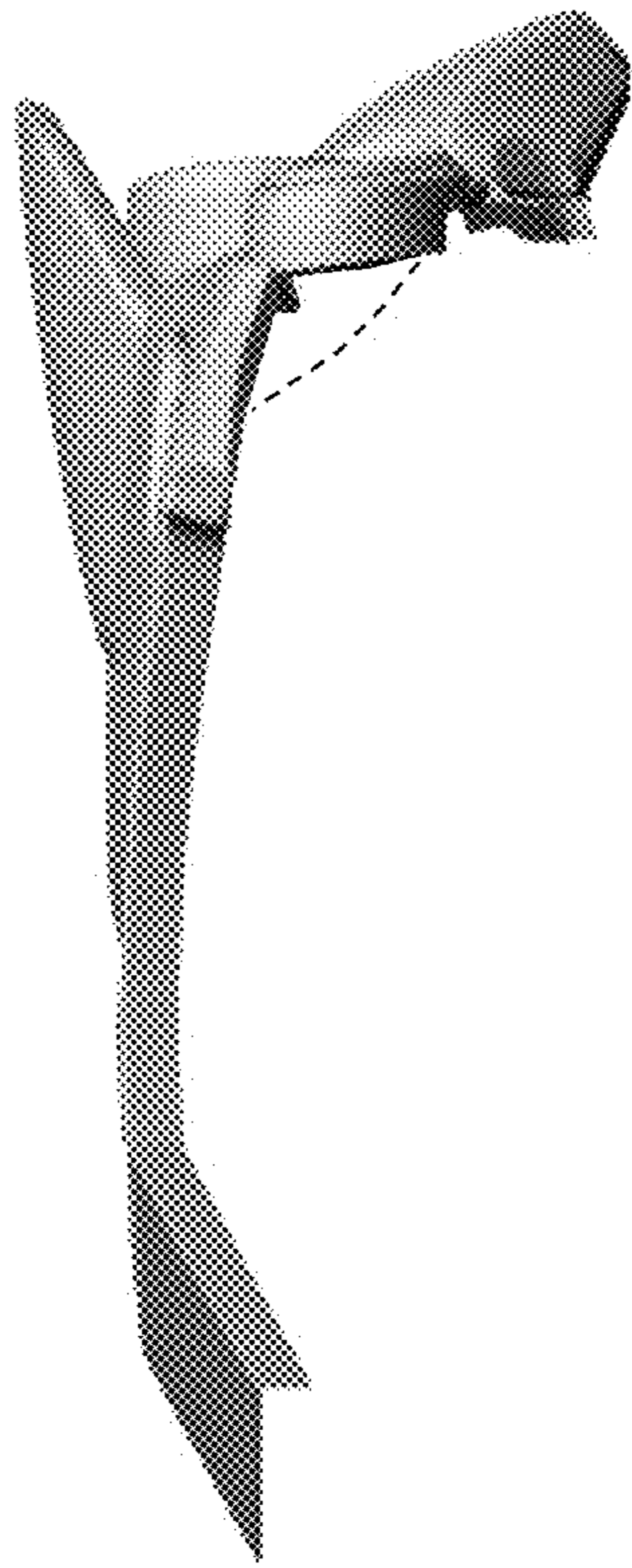


FIG. 4

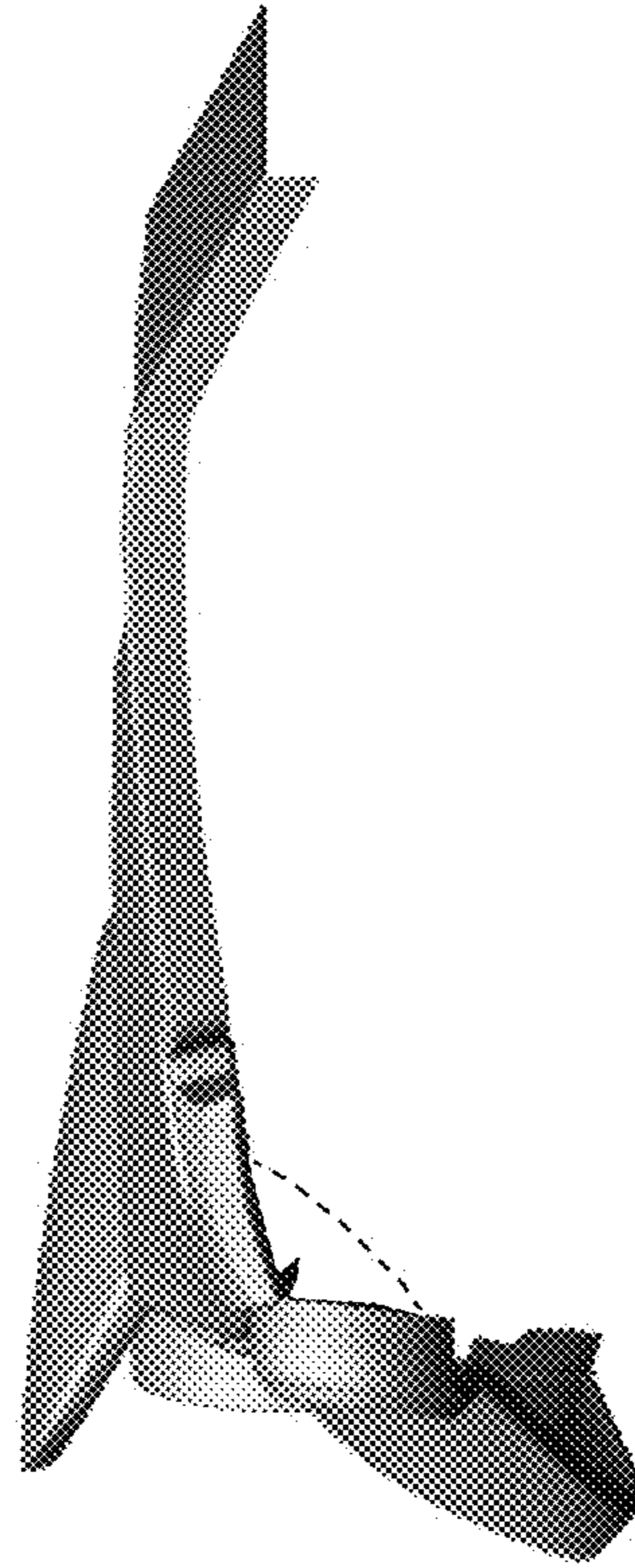


FIG. 5

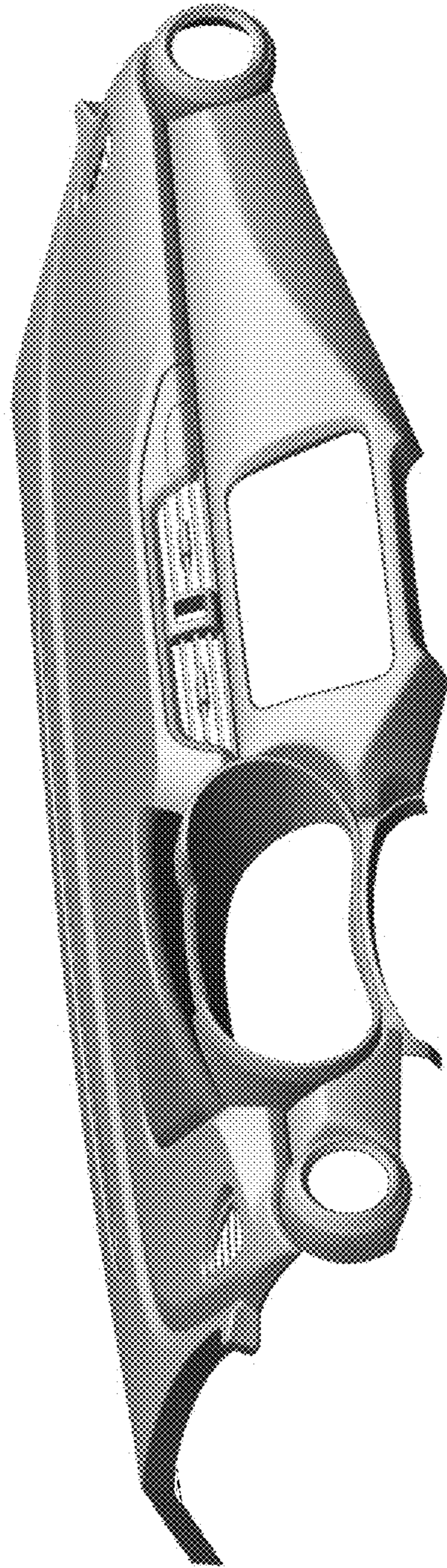


FIG. 6

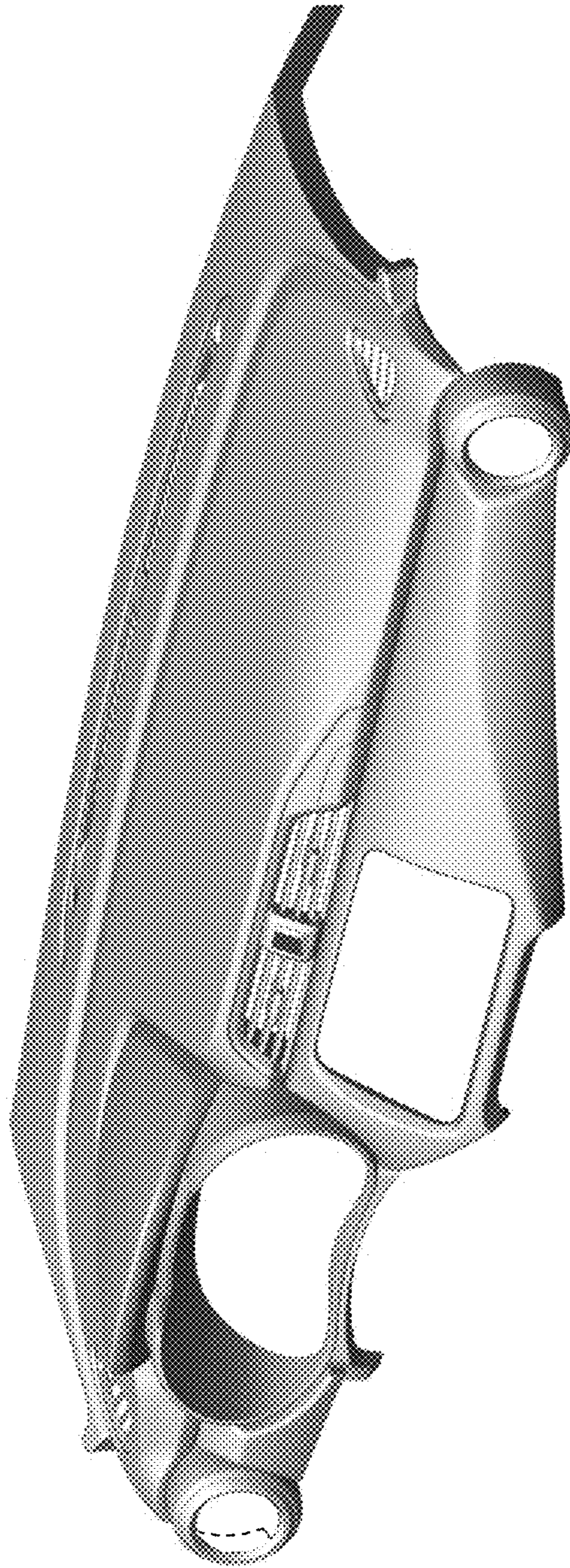


FIG. 7